



US00D762309S

(12) **United States Design Patent**
Cohen

(10) **Patent No.:** **US D762,309 S**
(45) **Date of Patent:** **** Jul. 26, 2016**

(54) **MESSAGE ROLLER BALL**

(56) **References Cited**

(71) Applicant: **Marcos I. Cohen**, Los Angeles, CA
(US)

U.S. PATENT DOCUMENTS

(72) Inventor: **Marcos I. Cohen**, Los Angeles, CA
(US)

2,797,685	A *	7/1957	Packwood	601/131
D378,539	S *	3/1997	Scott	D24/211
D403,076	S *	12/1998	York	D24/214
D454,644	S *	3/2002	York	D24/214
D469,880	S *	2/2003	York	D24/214
D502,264	S *	2/2005	Timmer	D24/211
D507,057	S *	7/2005	Timmer	D24/211
D535,752	S *	1/2007	Smith	D24/214
7,169,120	B2 *	1/2007	Murdock et al.	601/129
2014/0107545	A1 *	4/2014	Pathrose	601/128

(**) Term: **14 Years**

* cited by examiner

(21) Appl. No.: **29/499,985**

(22) Filed: **Aug. 20, 2014**

Primary Examiner — Sandra Snapp

(51) **LOC (10) Cl.** **28-03**

(57) **CLAIM**

(52) **U.S. Cl.**

The ornamental design for a massage roller ball, as shown and described.

USPC **D24/211**

DESCRIPTION

(58) **Field of Classification Search**

USPC D24/200, 211, 212, 213, 214, 215;
601/19, 27-32, 46, 49, 52, DIG. 12,
601/DIG. 14, DIG. 15, DIG. 16, DIG. 17

FIG. 1 is a front elevation view of the roller ball massager showing my new design, the back elevation view being a mirror image thereof;

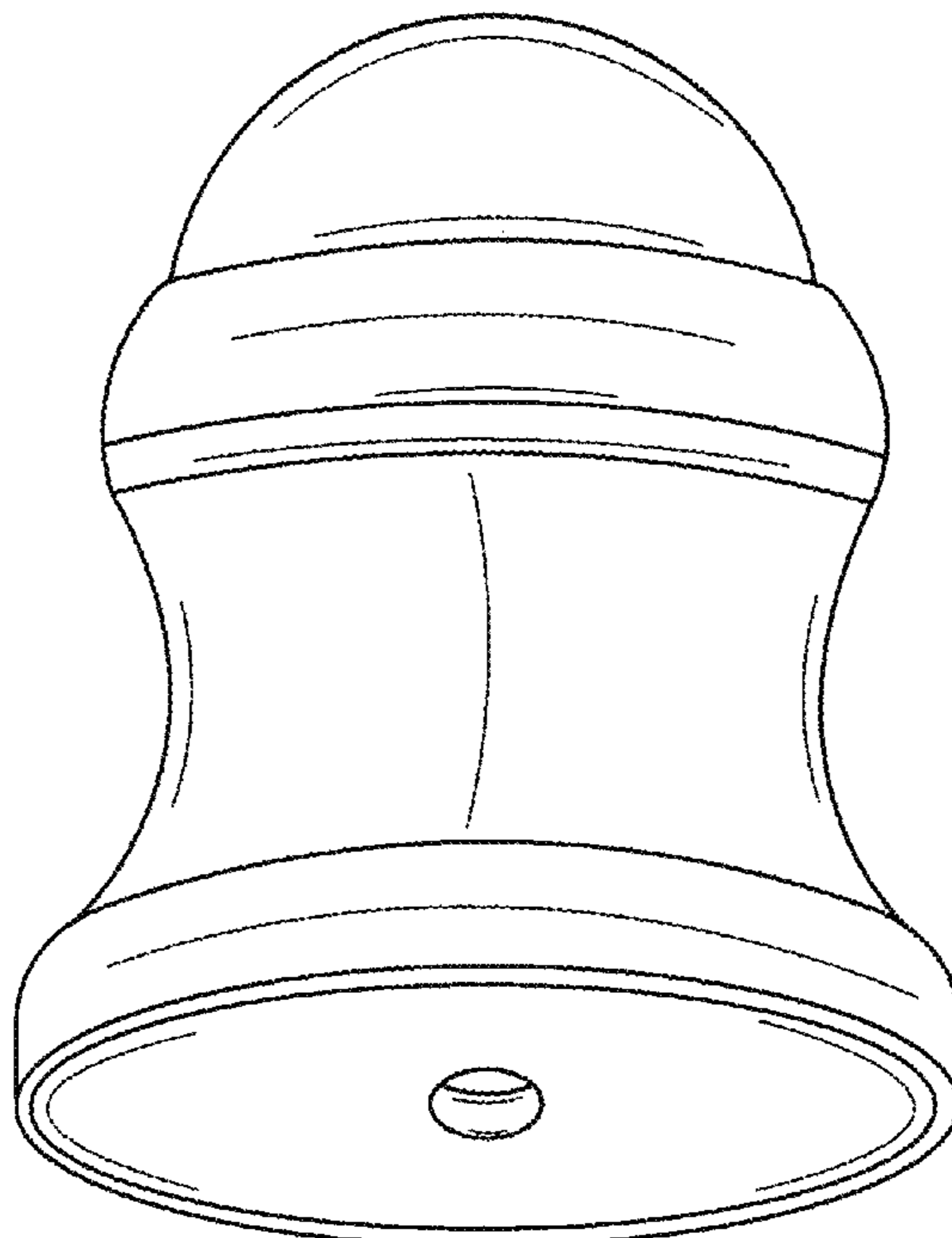
CPC A61H 2201/0153; A61H 2201/0207;
A61H 2201/0111; A61H 2201/1253; A61H
2205/082; A61H 2205/085; A61H 15/0085;
A61H 19/00; A61H 19/30; A61H 19/32;
A61H 19/40; A61H 19/44; A61H 19/50

FIG. 2 is a bottom perspective view thereof, showing a magnet within the bottom; and,
FIG. 3 is a bottom perspective view thereof with the magnet removed for ease of illustration.

The new designed proposed by Marcos Cohen was created to attach a magnet at the bottom of the existing “massage roller ball” for hands free application of the device, for example against a refrigerator or a metallic surface attached to a wall.

See application file for complete search history.

1 Claim, 3 Drawing Sheets



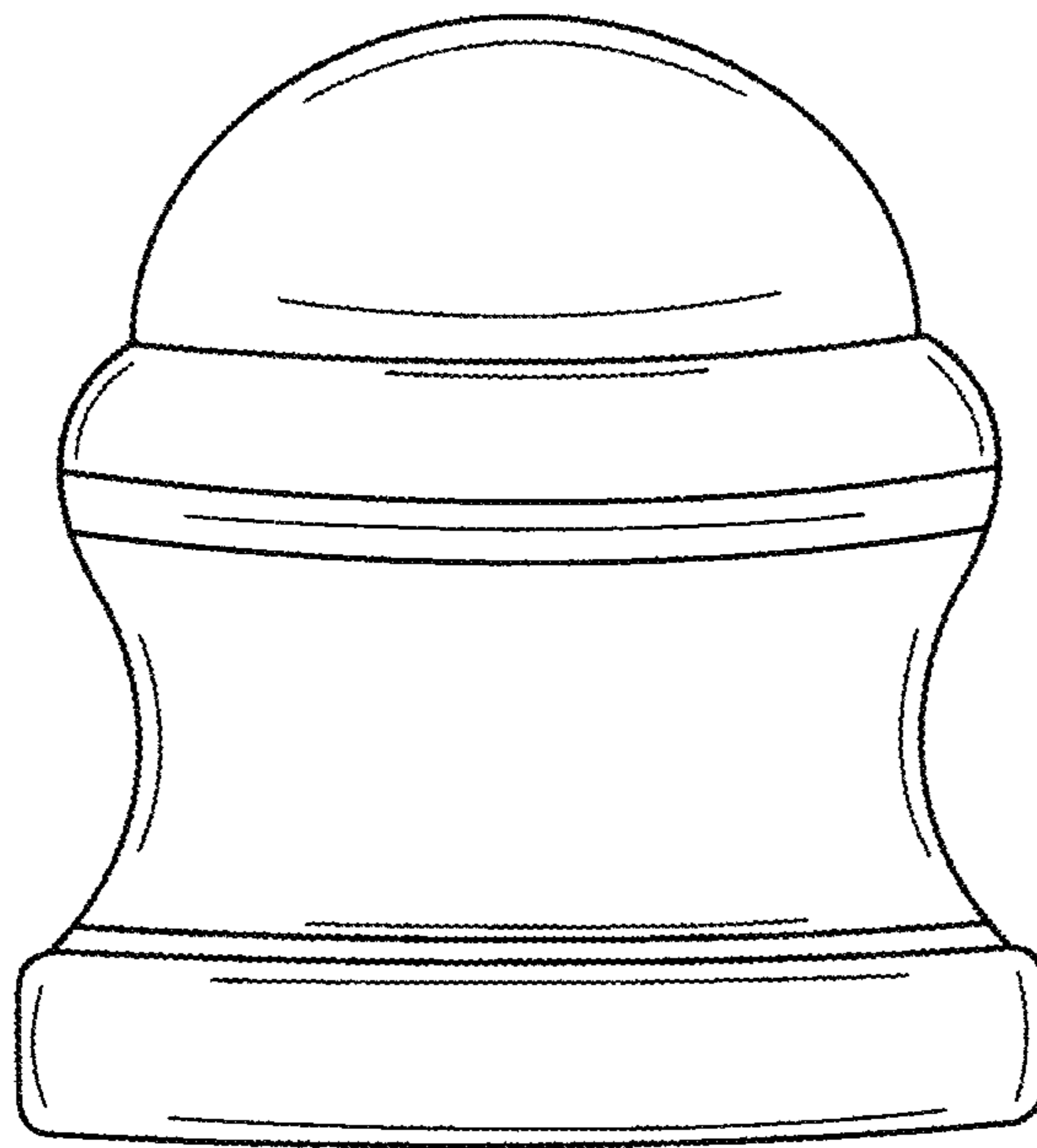


FIG.1

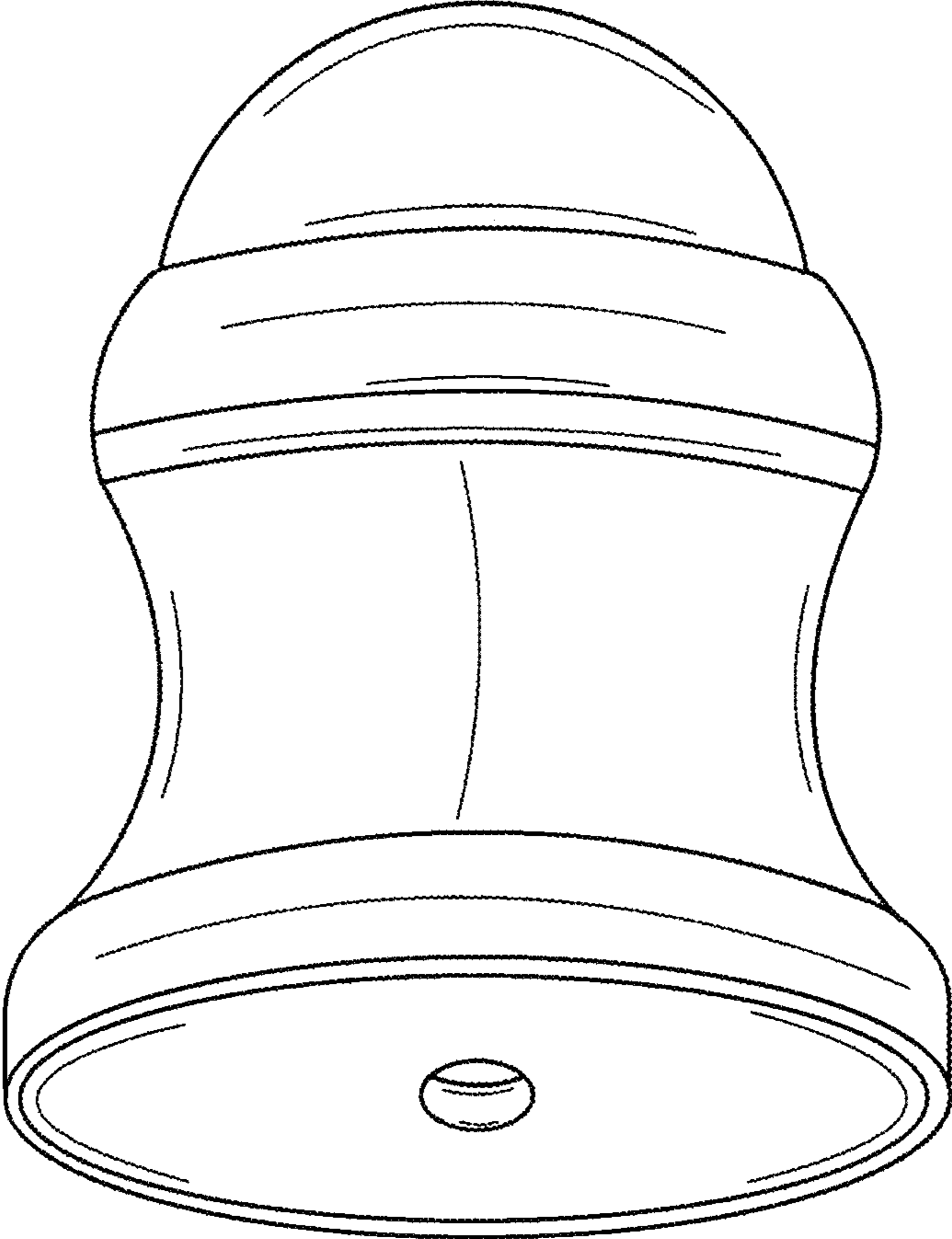


FIG.2

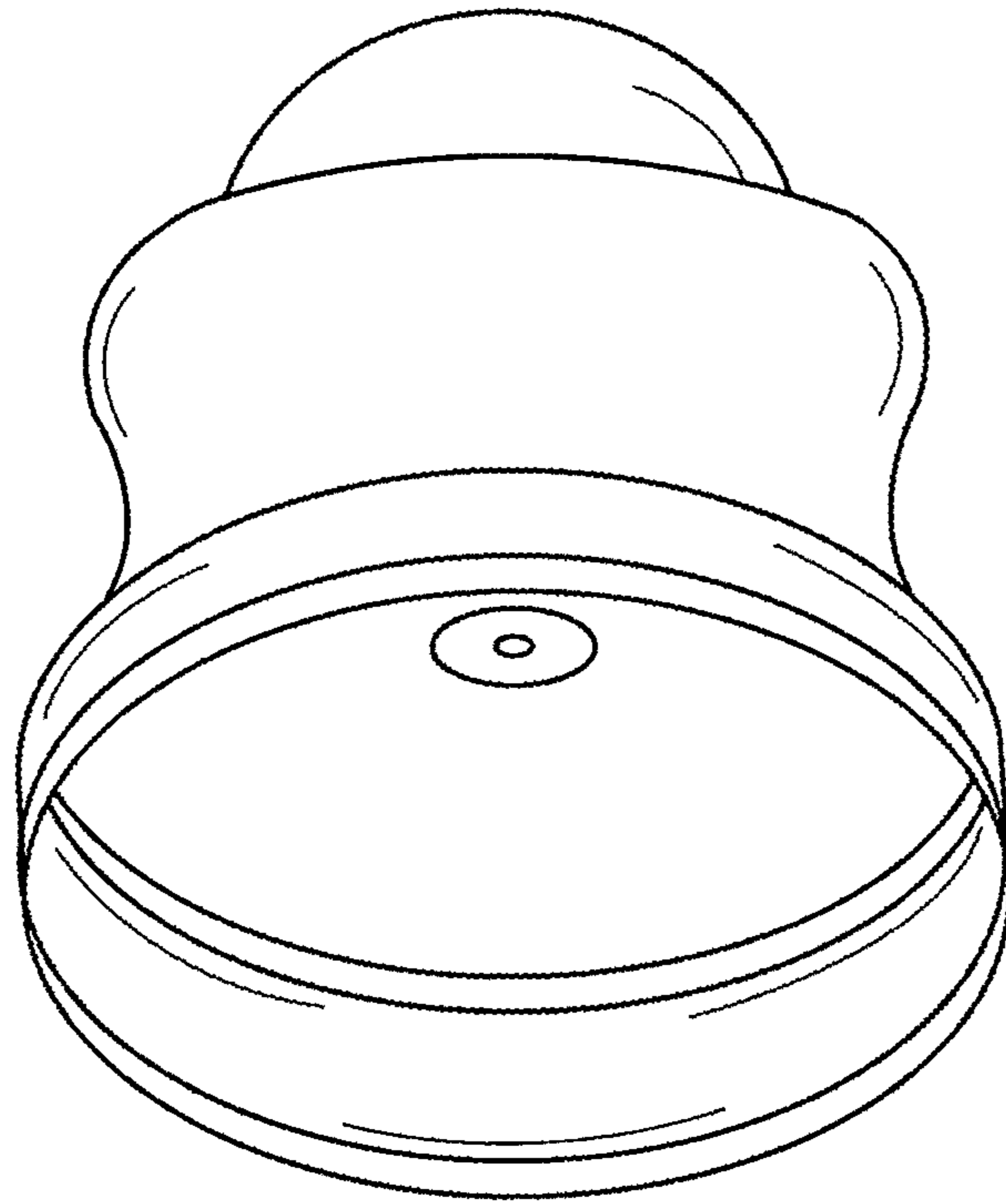


FIG.3