



US00D762308S

(12) **United States Design Patent**
Wang

(10) **Patent No.:** **US D762,308 S**
(45) **Date of Patent:** **** Jul. 26, 2016**

(54) **HAND WARMER**

(71) Applicant: **Hao Wang**, Shenzhen (CN)

(72) Inventor: **Hao Wang**, Shenzhen (CN)

(**) Term: **14 Years**

(21) Appl. No.: **29/502,131**

(22) Filed: **Sep. 12, 2014**

(30) **Foreign Application Priority Data**

Mar. 13, 2014 (CN) 2014 3 0050241

(51) **LOC (10) Cl.** **24-02**

(52) **U.S. Cl.**

USPC **D24/206**

(58) **Field of Classification Search**

USPC D24/133, 189-192, 201, 202, 204, 206,
D24/207, 208, 211, 212, 213, 214, 215;
607/2, 3, 89, 109, 115, 118, 144;
602/1-7, 17-27, 61-66, 74; 606/27,
606/204; 601/15; 126/204; 128/112.1,
128/117.1, 95.1, 96.1, 97.1, 100.1, 101.1,
128/876; D29/121.2, 122, 101.2, 101.5,
D29/120.1, 121.1; D3/327; D9/707

See application file for complete search history.

(56) **References Cited**

U.S. PATENT DOCUMENTS

D263,416 S * 3/1982 Saire D24/206
D281,817 S * 12/1985 Hakanson D24/200

D282,968 S * 3/1986 Dickhudt D24/200
D323,561 S * 1/1992 Bartelt D24/200
D350,205 S * 8/1994 Yamasaki D24/200
D350,206 S * 8/1994 Mochida D24/200
6,109,256 A * 8/2000 Sardi A47C 7/021
126/204
7,052,167 B2 * 5/2006 Vanderschuit A61F 7/02
362/231
D547,454 S * 7/2007 Hsieh D24/186
7,731,688 B2 * 6/2010 Park A61M 5/44
604/113
D639,973 S * 6/2011 Hughes D24/206
D698,931 S * 2/2014 Wang D24/206

* cited by examiner

Primary Examiner — Garth Rademaker

Assistant Examiner — Samantha Q Lawrence

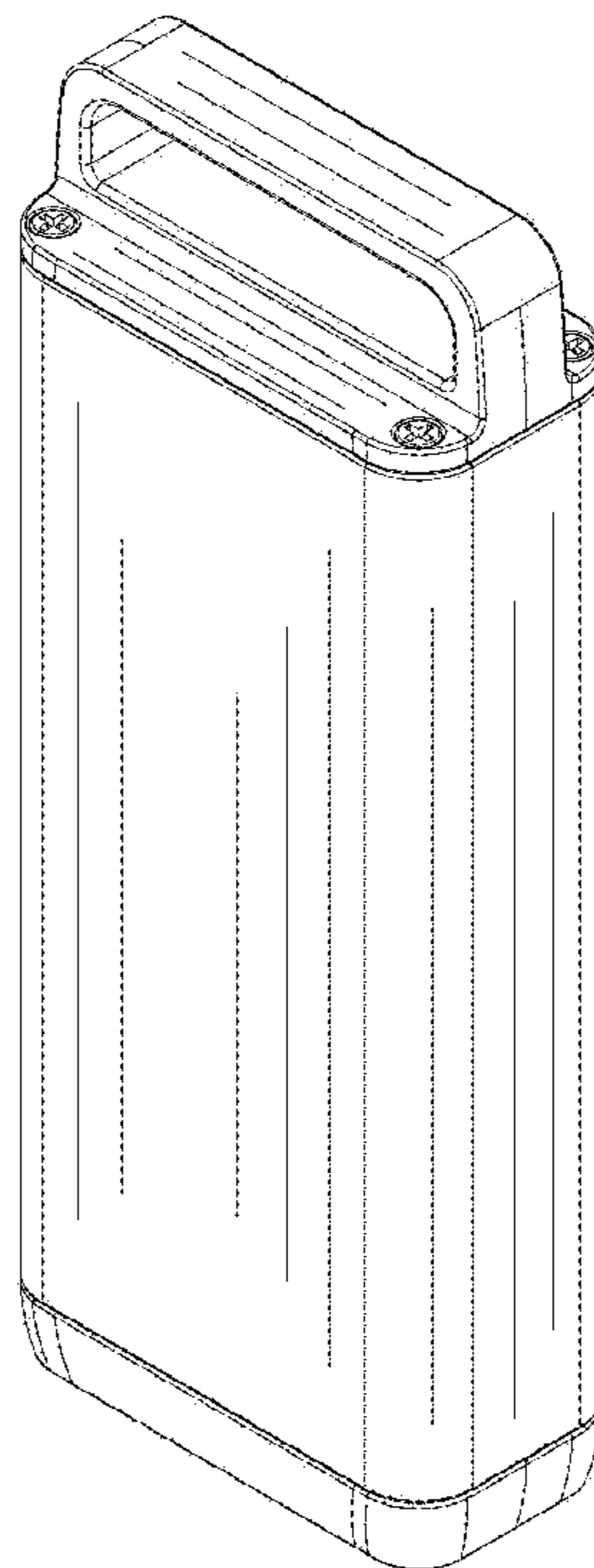
(57) **CLAIM**

The ornamental design for a hand warmer, as shown and described.

DESCRIPTION

FIG. 1 is a front elevational view of a hand warmer showing my new design;
FIG. 2 is a rear elevational view thereof;
FIG. 3 is a left side view thereof;
FIG. 4 is a right side view thereof;
FIG. 5 is a top plan view thereof;
FIG. 6 is a bottom plan view thereof;
FIG. 7 is a first perspective view thereof; and,
FIG. 8 is a second perspective view thereof.

1 Claim, 7 Drawing Sheets



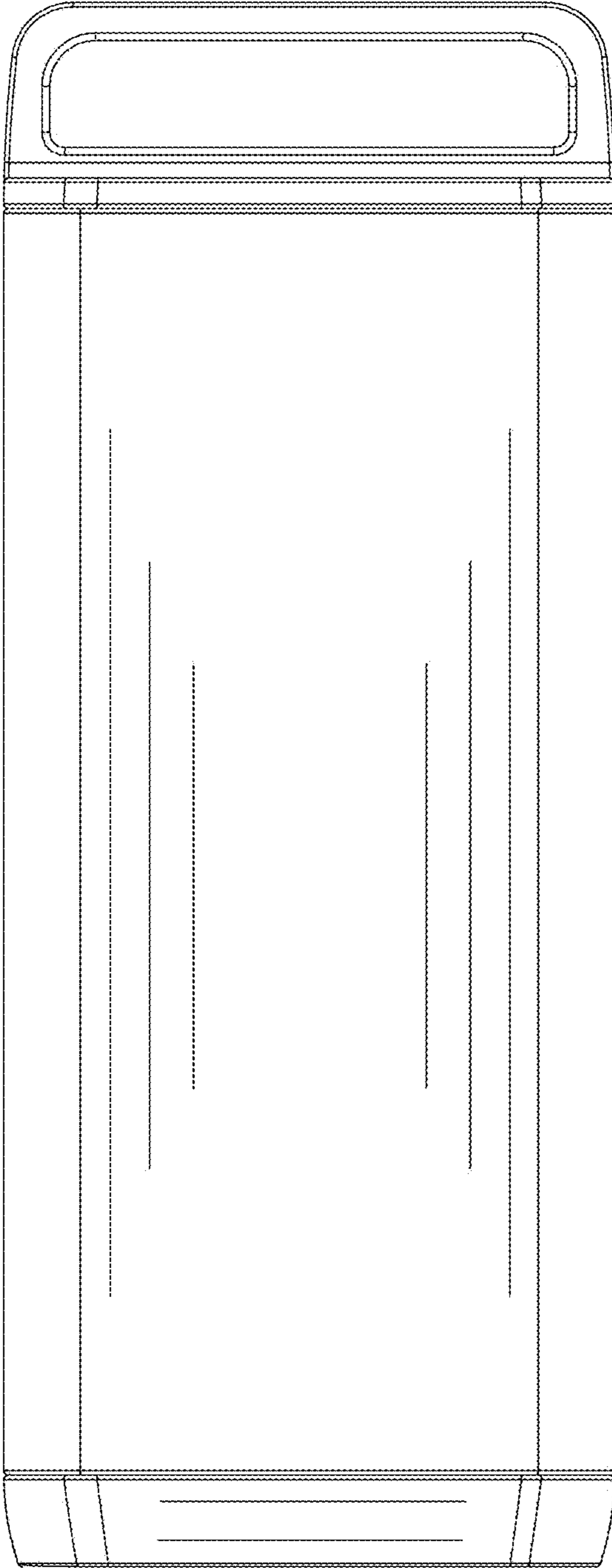


Fig. 1

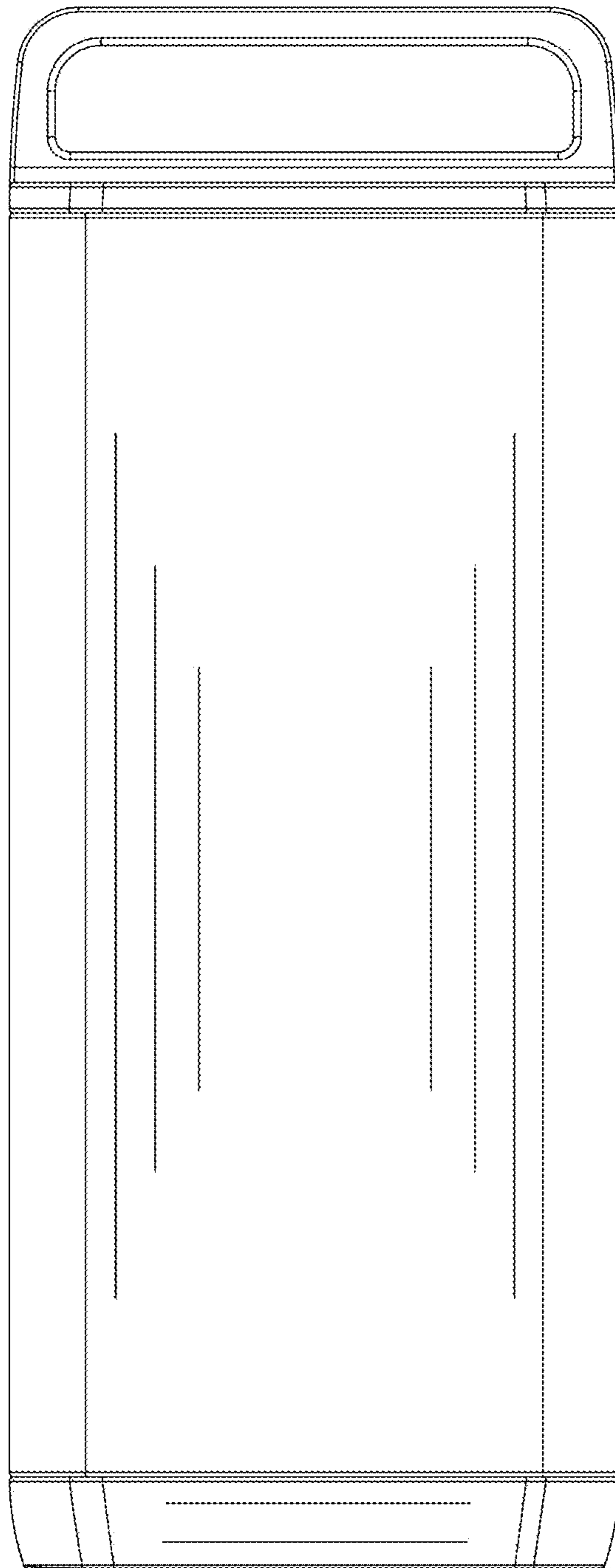


Fig. 2

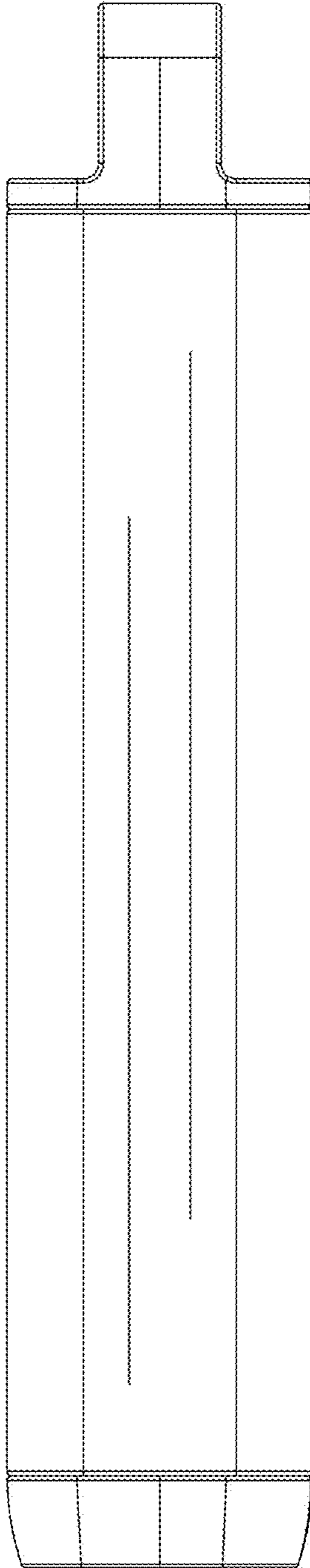


Fig. 3

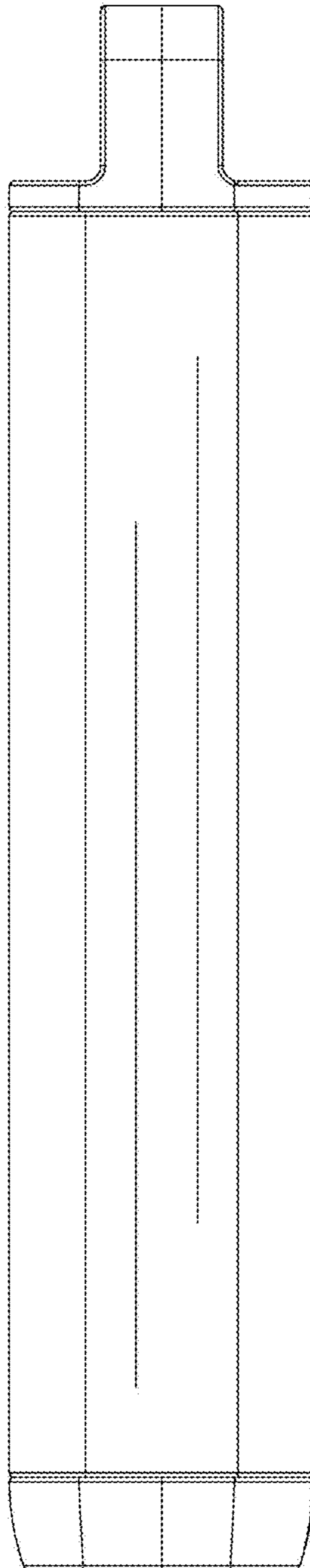


Fig. 4

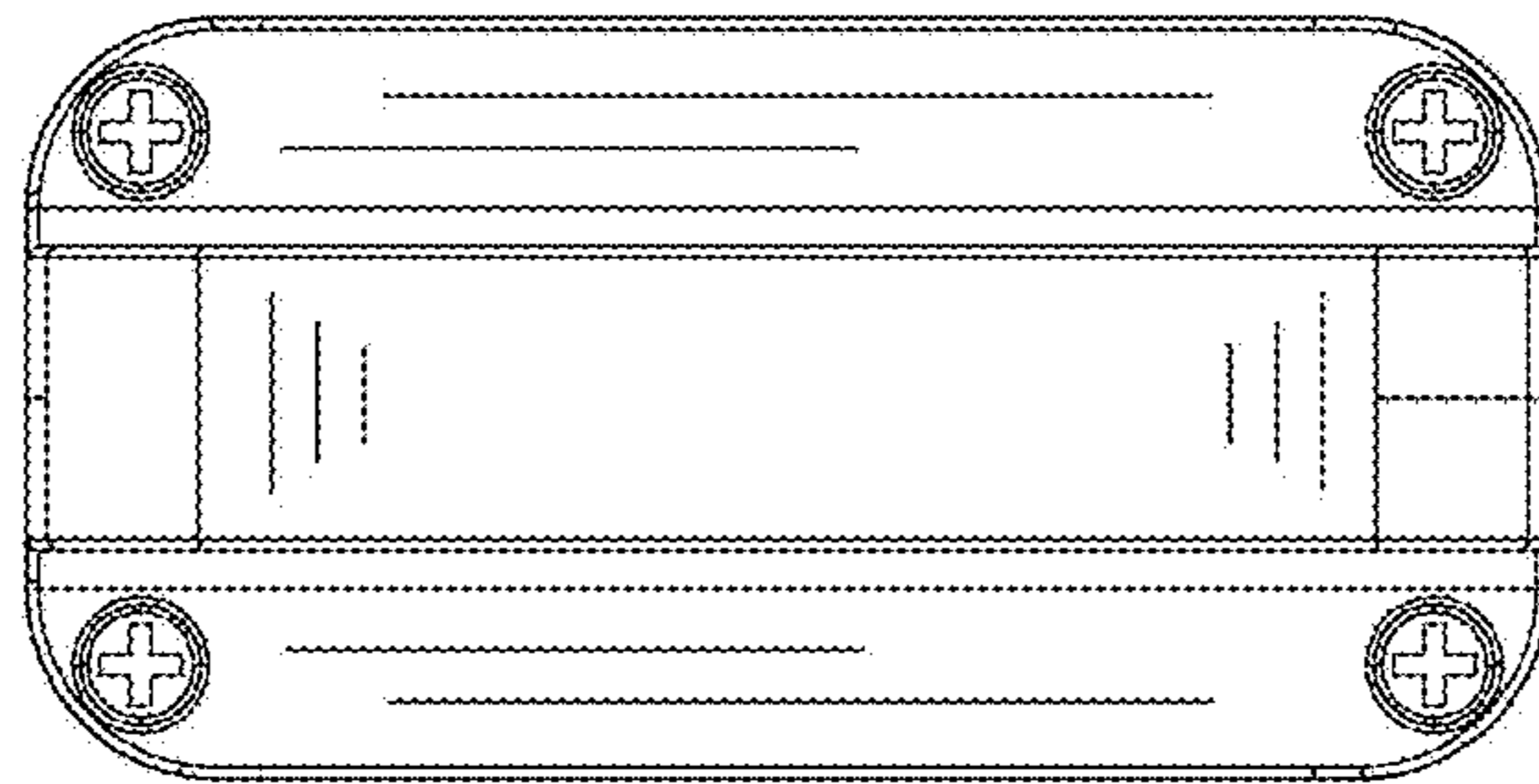


Fig. 5

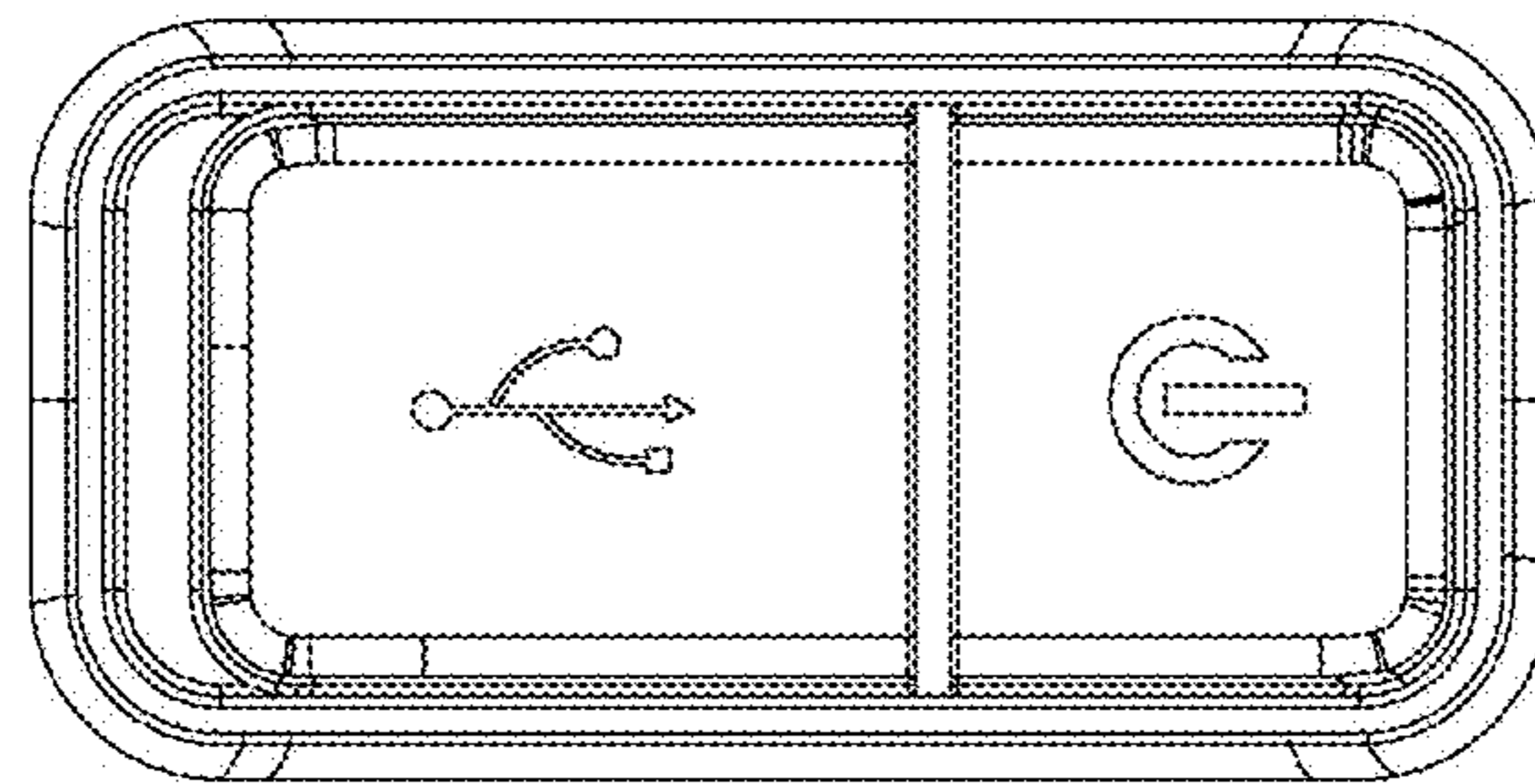


Fig. 6

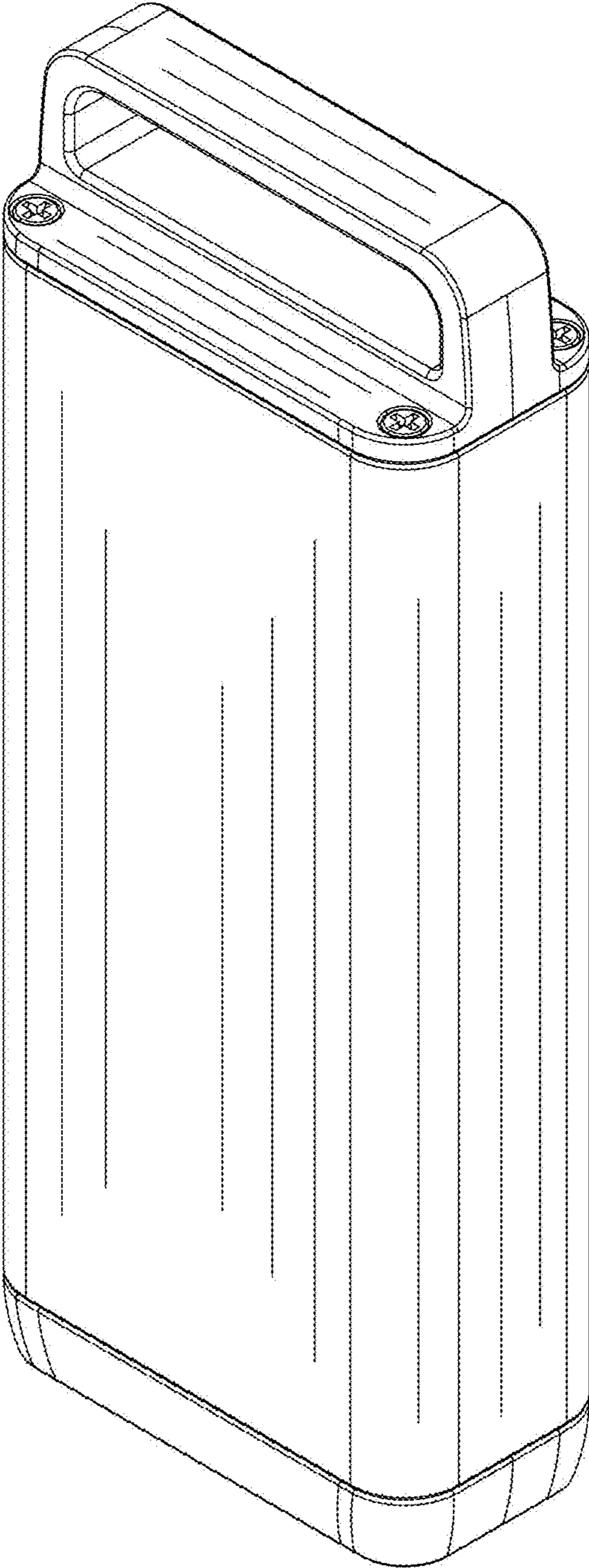


Fig. 7

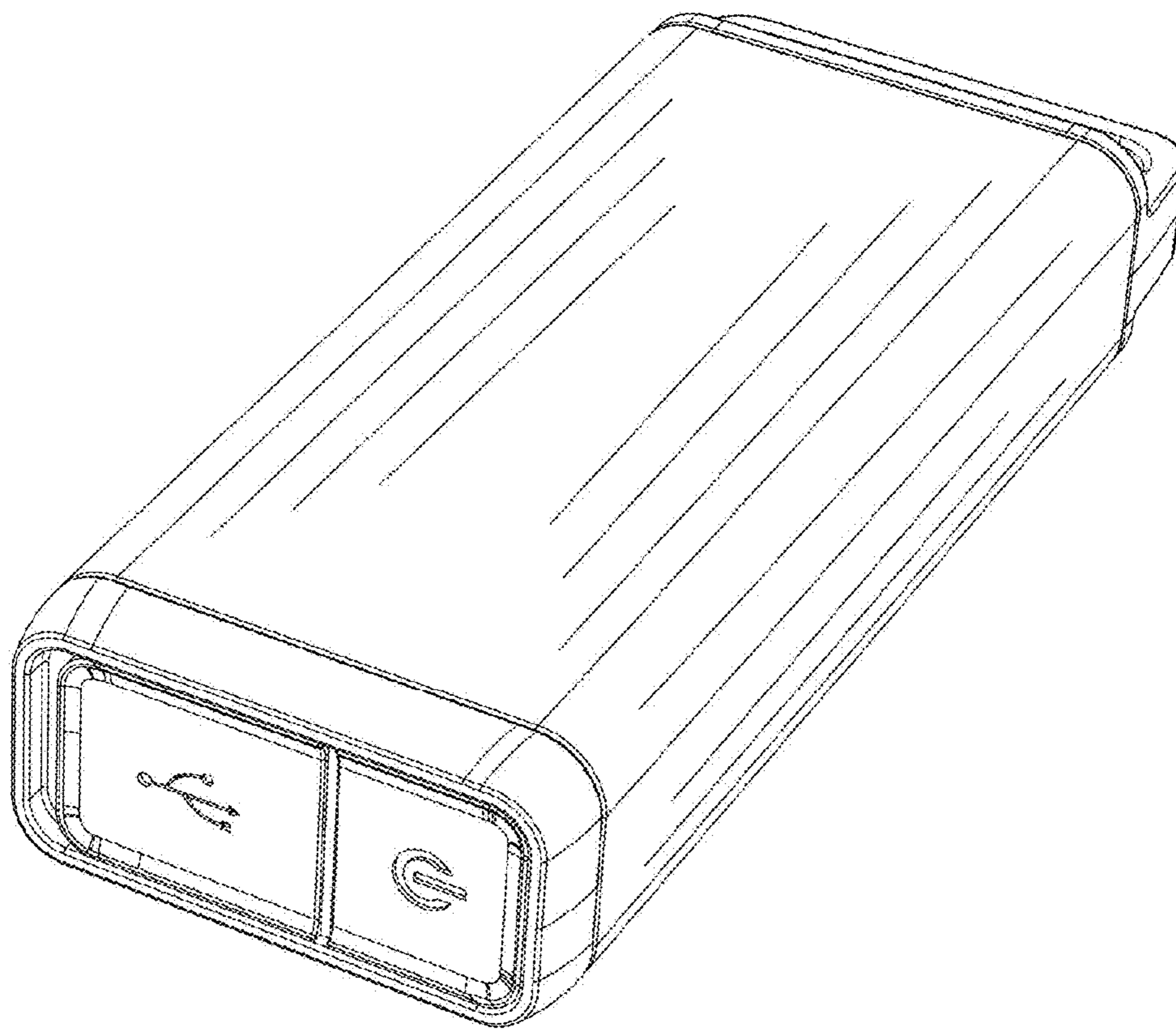


Fig. 8