



US00D762306S

(12) **United States Design Patent**
Torres et al.

(10) **Patent No.:** **US D762,306 S**
(45) **Date of Patent:** **** Jul. 26, 2016**

(54) **FOOTPAD WITH STRAPS**

5,058,788 A 10/1991 Newmark
D329,498 S * 9/1992 Pryor D24/206
D338,587 S * 8/1993 Harnish D6/601

(71) Applicants: **Luis A. Torres**, Arleta, CA (US); **Jorge L. Torres**, Arleta, CA (US)

(Continued)

(72) Inventors: **Luis A. Torres**, Arleta, CA (US); **Jorge L. Torres**, Arleta, CA (US)

Primary Examiner — George D Kirschbaum

Assistant Examiner — Jennifer Watkins

(**) Term: **14 Years**

(74) *Attorney, Agent, or Firm* — Robert C. Montgomery; Montgomery Patent & Design

(21) Appl. No.: **29/490,052**

(57) **CLAIM**

The ornamental design for a footpad with straps, as shown and described.

(22) Filed: **May 6, 2014**

DESCRIPTION

Related U.S. Application Data

(63) Continuation of application No. 13/237,217, filed on Sep. 20, 2011, now abandoned.

(51) **LOC (10) Cl.** **24-01**

(52) **U.S. Cl.**
USPC **D24/192**

(58) **Field of Classification Search**

USPC D24/183, 184, 190, 191, 192, 200;
D29/100; D6/716.1, 716.2, 601, 604;
D21/662; D3/273, 274, 276, 278;
D2/946

CPC A47B 21/0371; A47C 7/425; A47C 7/383;
A47C 7/46; A47C 7/546; A47C 31/11;
A47C 16/00; A47K 10/185; A47K 10/426;
B65D 83/0805; A47G 9/10; A41D 13/0568;
A61F 5/028; A61F 2007/0001; A61F 5/01;
Y10S 248/905

See application file for complete search history.

(56) **References Cited**

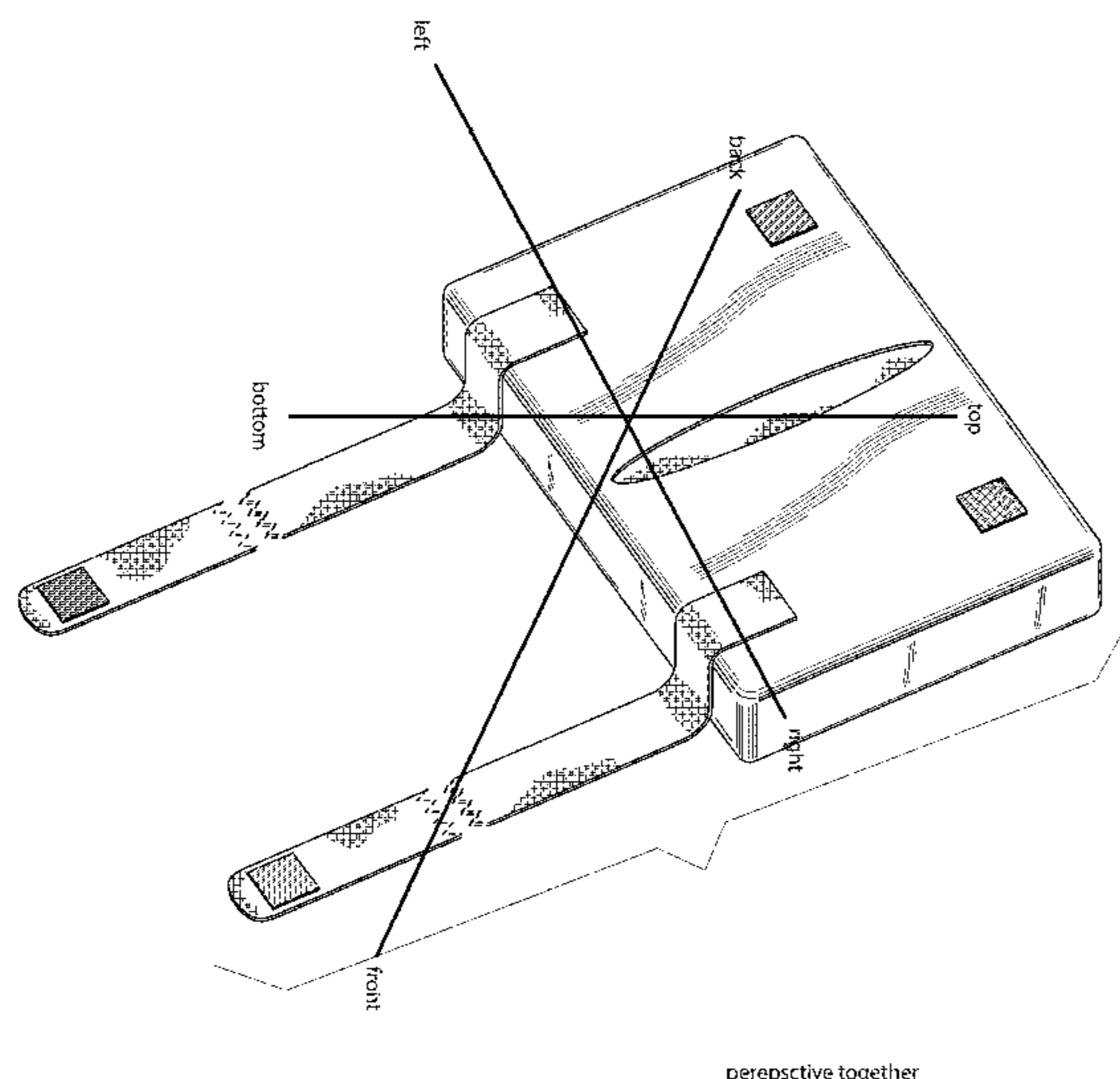
U.S. PATENT DOCUMENTS

D262,422 S * 12/1981 Ortiz et al. D3/273
D273,992 S * 5/1984 Burby et al. D24/200
4,471,993 A * 9/1984 Watson 297/284.5
4,507,882 A 4/1985 Harrell
D296,930 S * 7/1988 Carabelli D24/190

FIG. 1 is a top perspective view of a footpad with straps showing a cover and cushion inserted into the cover; FIG. 2 is a top perspective view of the cover, thereof; FIG. 3 is another top perspective view of FIG. 2; FIG. 4 is a bottom perspective view of FIG. 2; FIG. 5 is a front view of FIG. 2, wherein a rear view is a mirror image of the front view; FIG. 6 is a left-hand side view of FIG. 2; FIG. 7 is a right-hand side view of FIG. 2; FIG. 8 is a top view of FIG. 2; FIG. 9 is a bottom view of FIG. 2; FIG. 10 is a top perspective view of the cushion; FIG. 11 is a bottom perspective view of FIG. 10; FIG. 12 is a front view of FIG. 10, wherein a rear view is a mirror image of the front view; FIG. 13 is a left-hand side view of FIG. 10, wherein a right-hand side view is a mirror image of the left-hand side view; and, FIG. 14 is a top view of FIG. 10, wherein a bottom view is a mirror image of the top view.

The straps to the cover are shown with a symbolic break in their length. The appearance of any portion of the article between the break lines forms no part of the claimed design. The broken lines shown in FIGS. 2, 3, and 8 represent portions of the interior of the cover that form no part of the claim.

1 Claim, 14 Drawing Sheets



perspective together

(56)

References Cited

U.S. PATENT DOCUMENTS

5,311,679 A 5/1994 Birch, Sr.
D347,940 S 6/1994 Linscott
5,605,374 A * 2/1997 Perry 297/227
D383,930 S * 9/1997 Perry D6/716.2
D394,571 S * 5/1998 King et al. D6/518

D404,494 S * 1/1999 Wood D24/207
5,938,089 A 8/1999 Abreu-Marston
5,988,467 A 11/1999 Brustein
6,176,402 B1 1/2001 Rogers
D636,211 S * 4/2011 Kolander et al. D6/601
D697,739 S * 1/2014 Nabeta D6/601
2004/0144815 A1 * 7/2004 Reid 224/222
2008/0047990 A1 2/2008 Morgan et al.

* cited by examiner

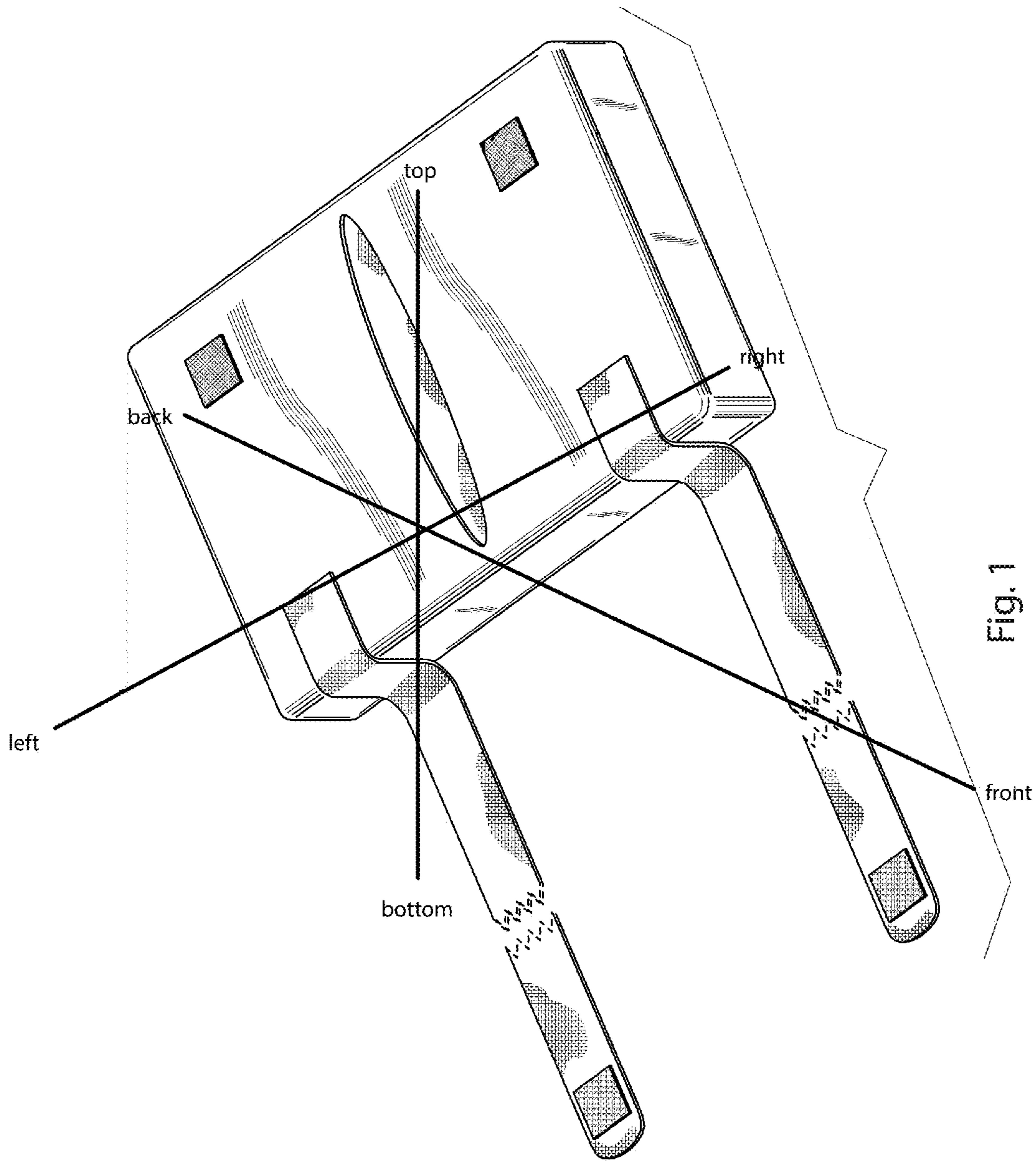


Fig. 1

perspective together

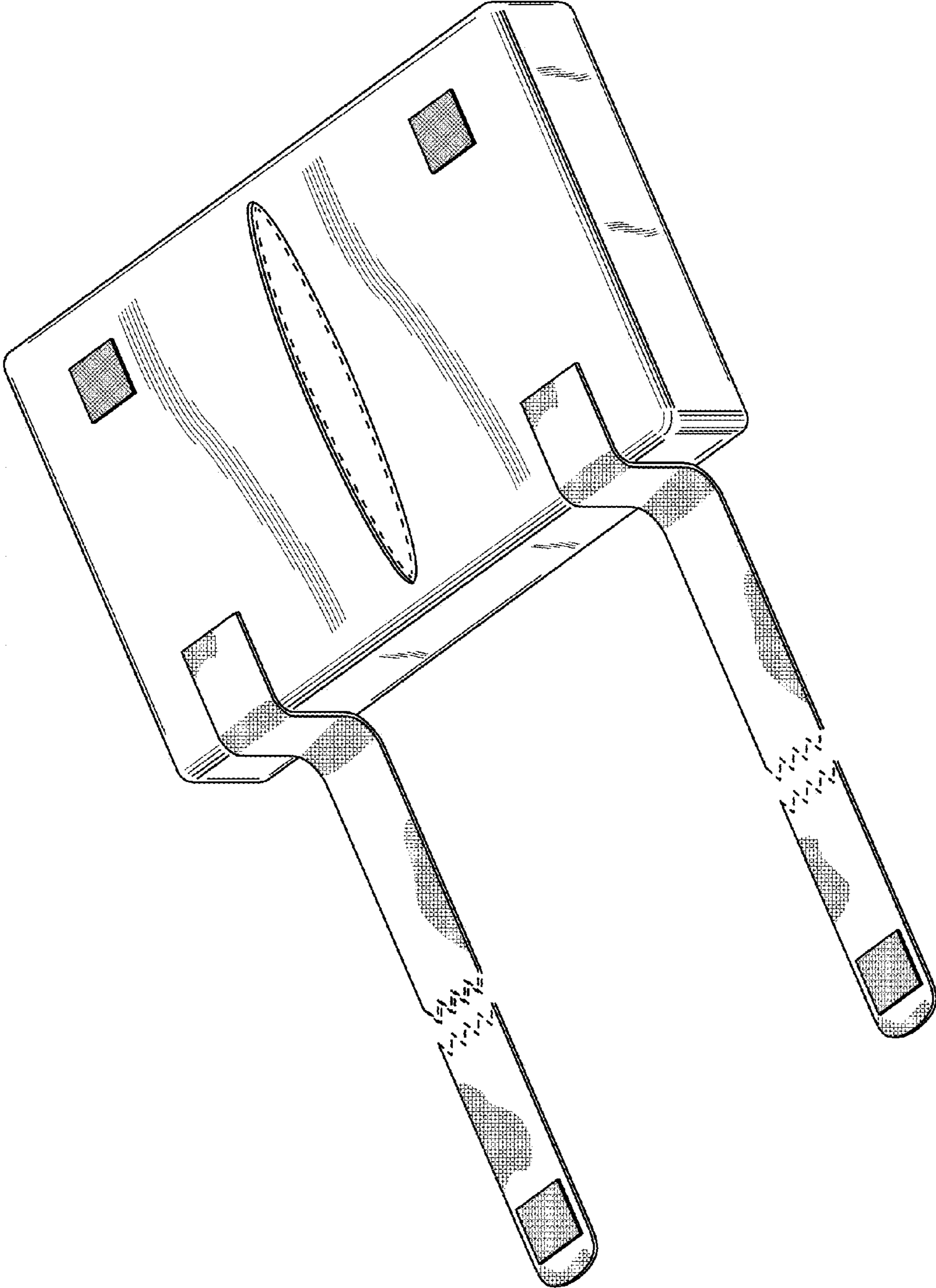


Fig. 2

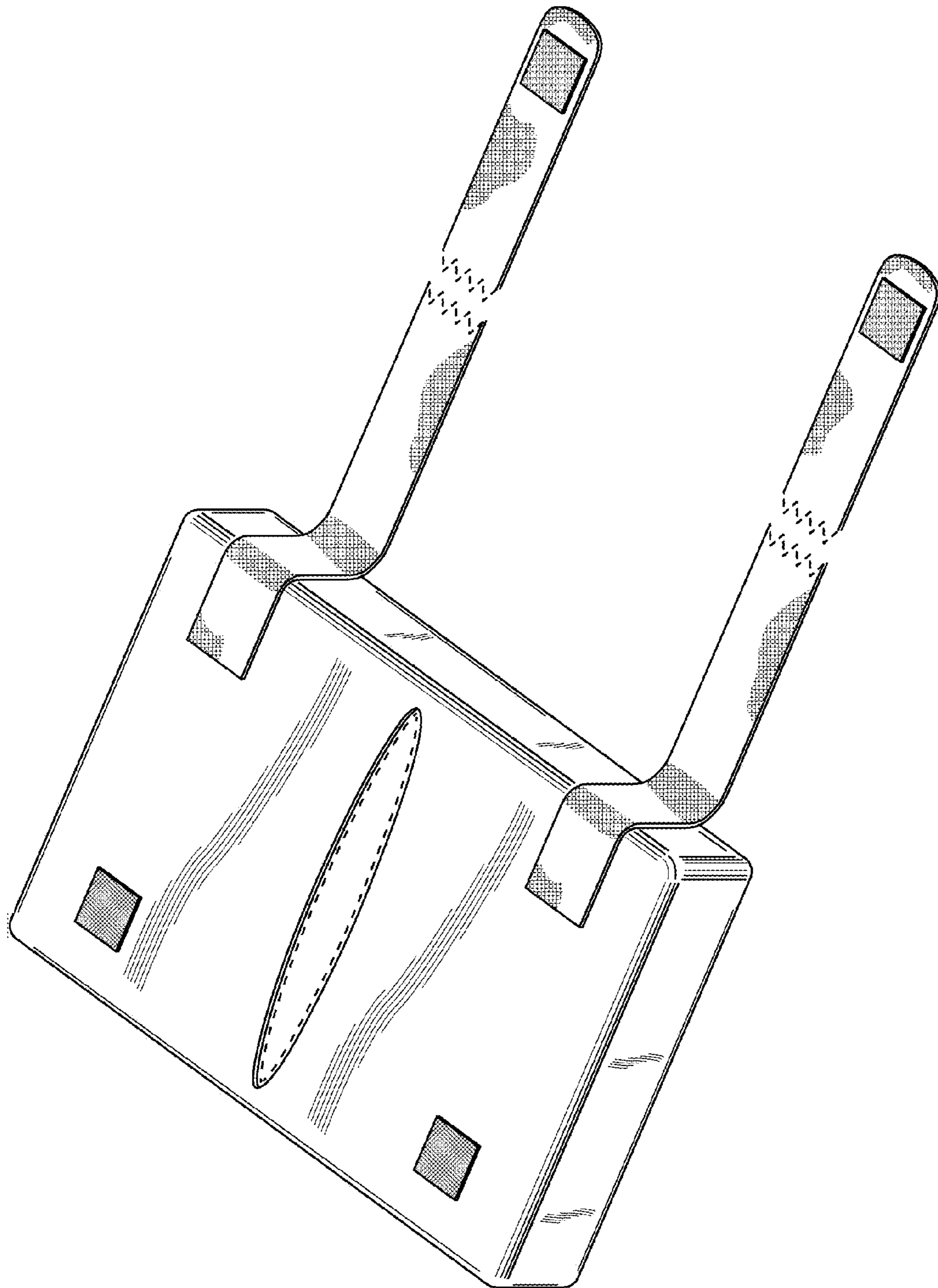


Fig. 3

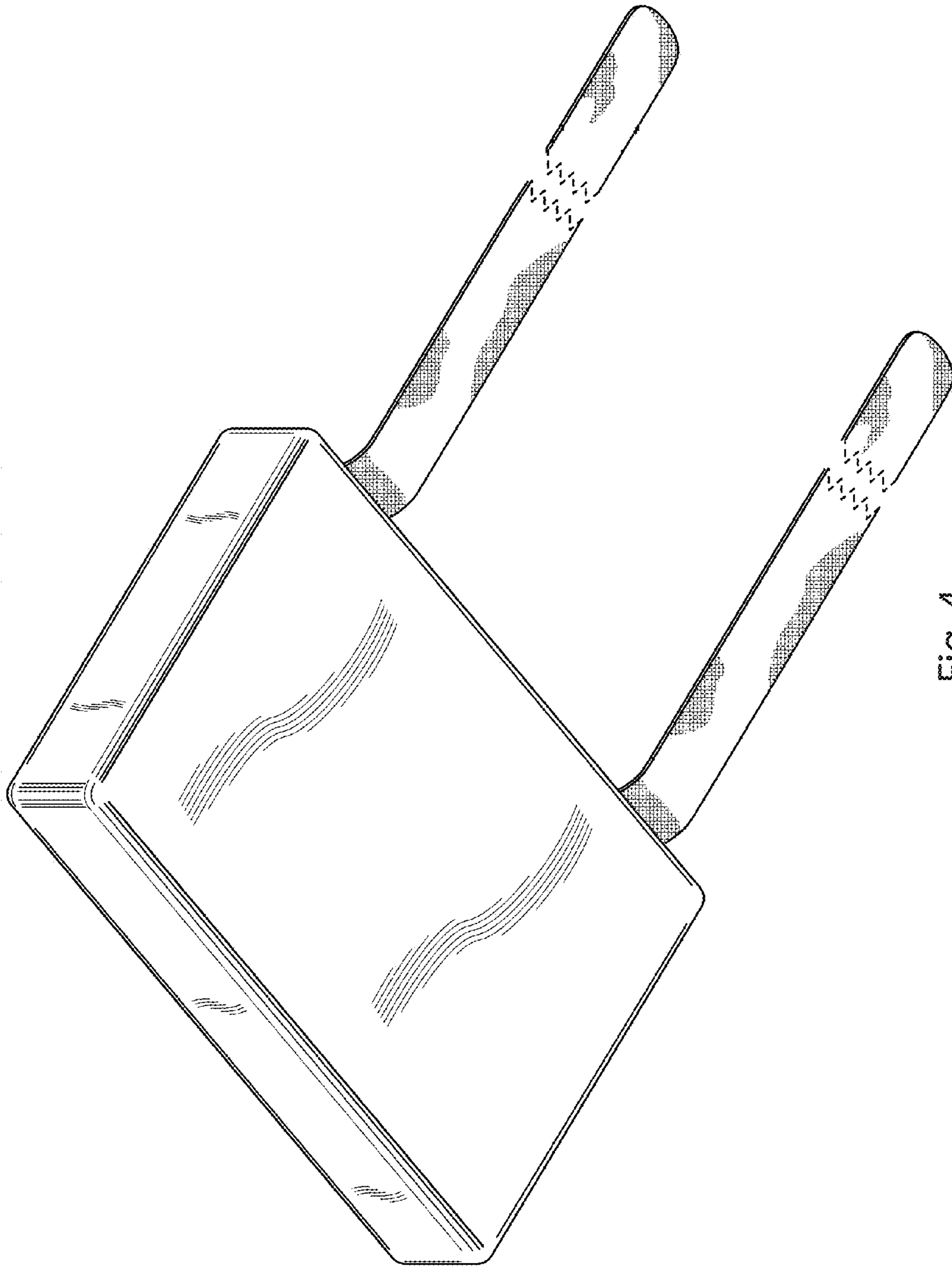


Fig. 4

perspective bottom

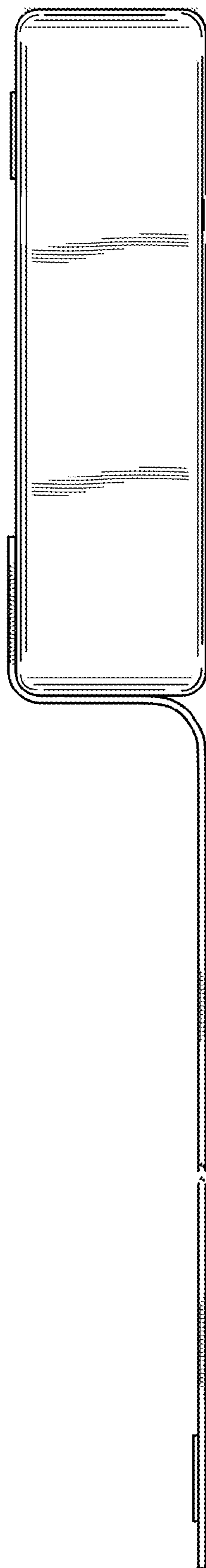


Fig. 5

front/back

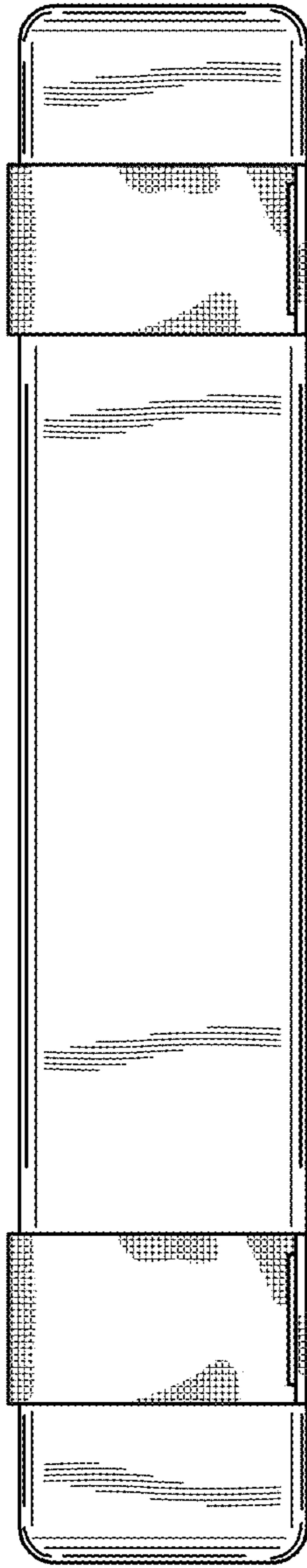


Fig. 6

left

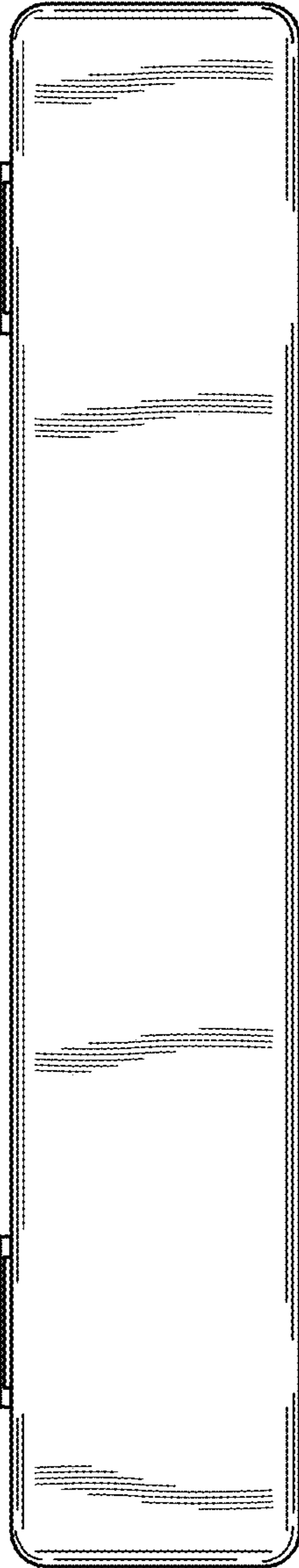


Fig. 7
right

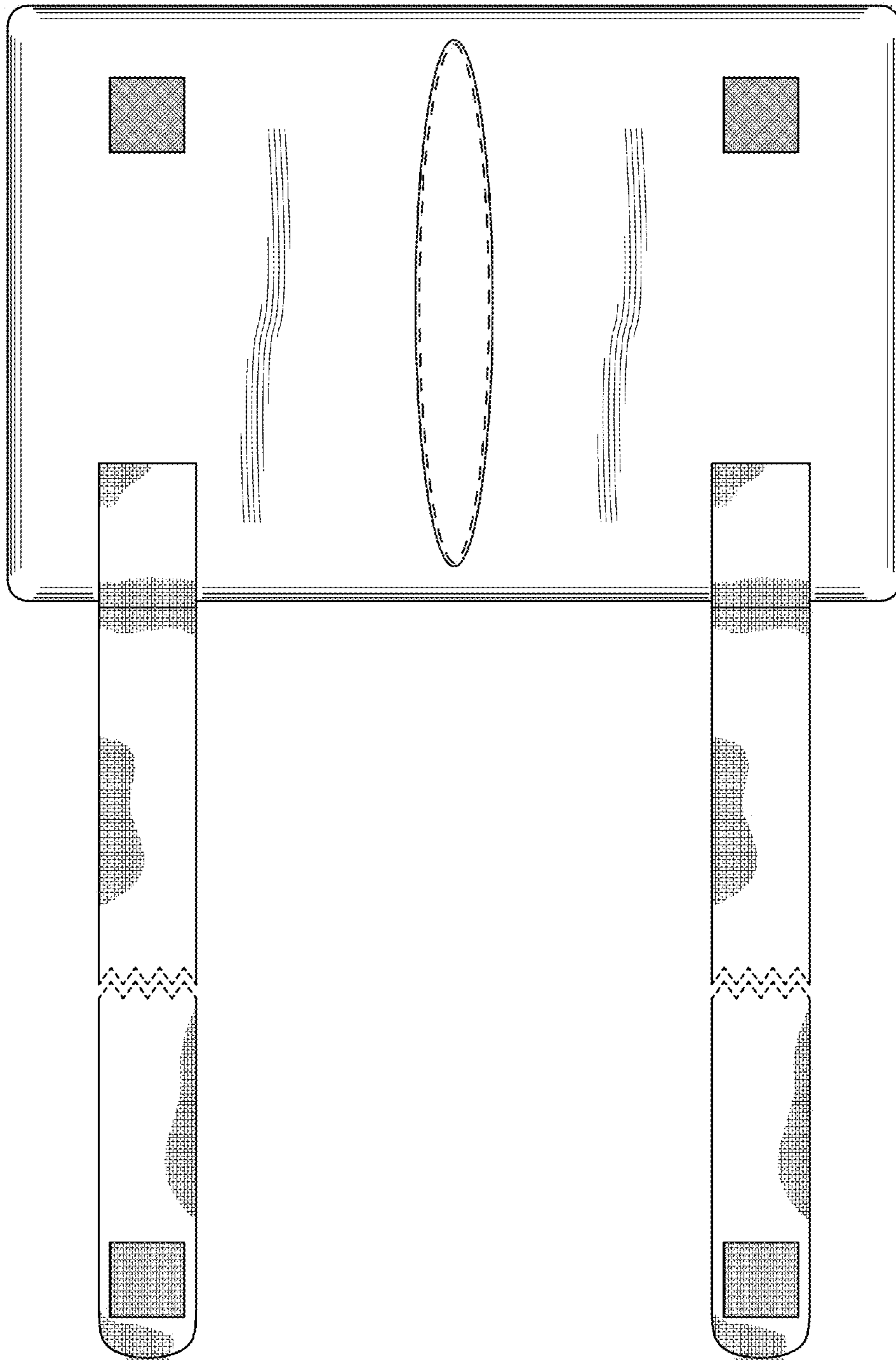


Fig. 8

top

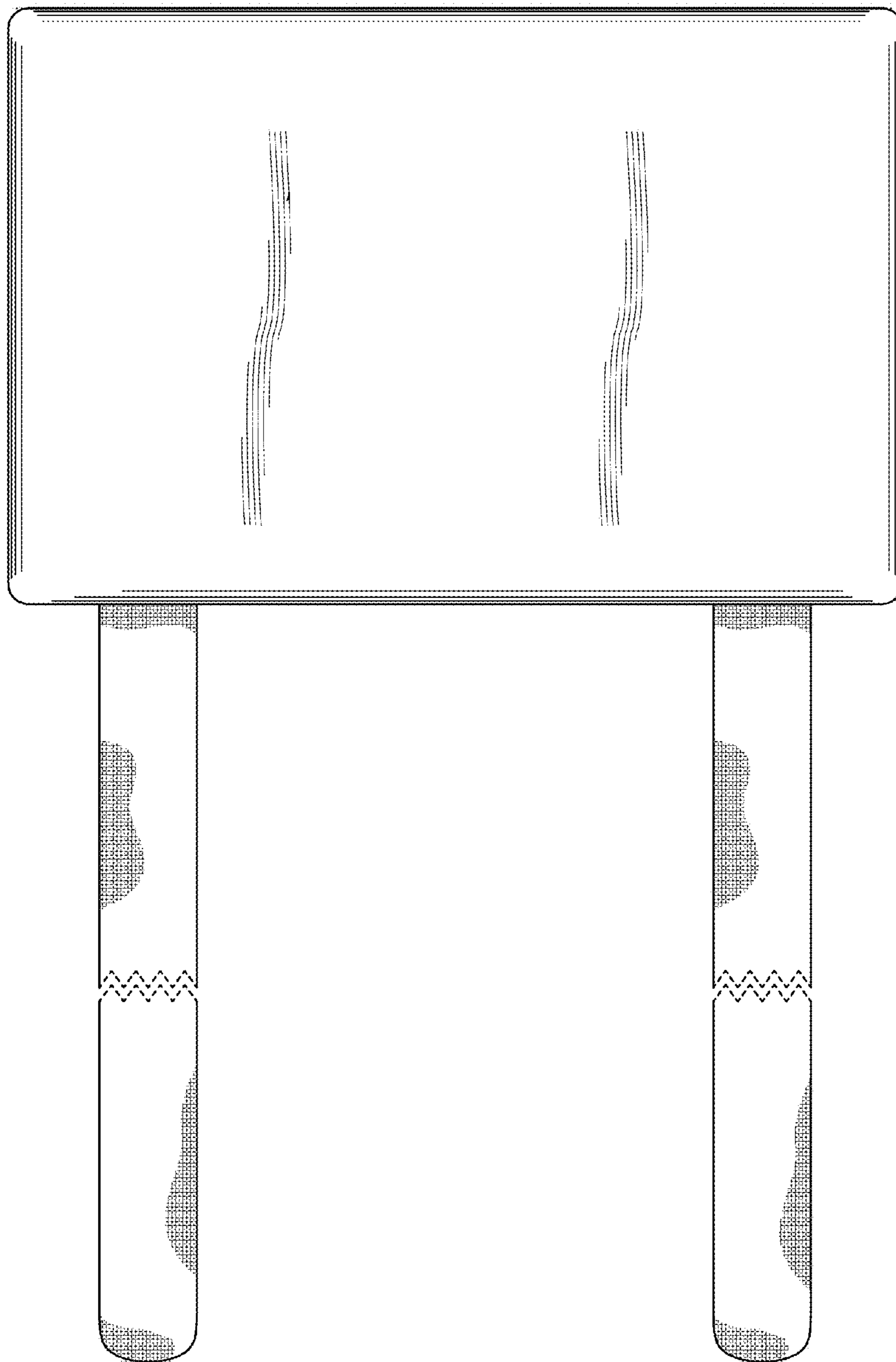
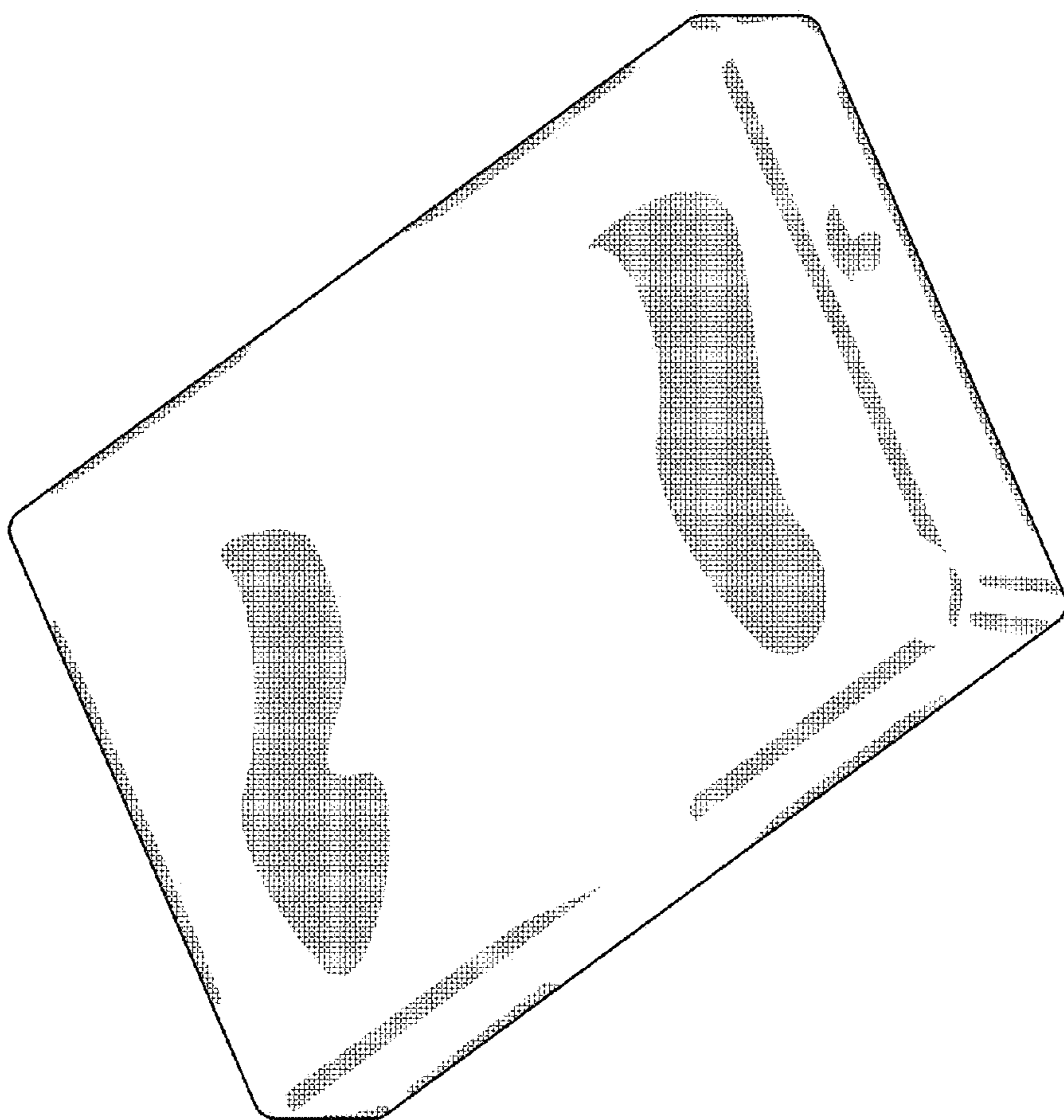


Fig. 9

bottom



perspective top

Fig. 10

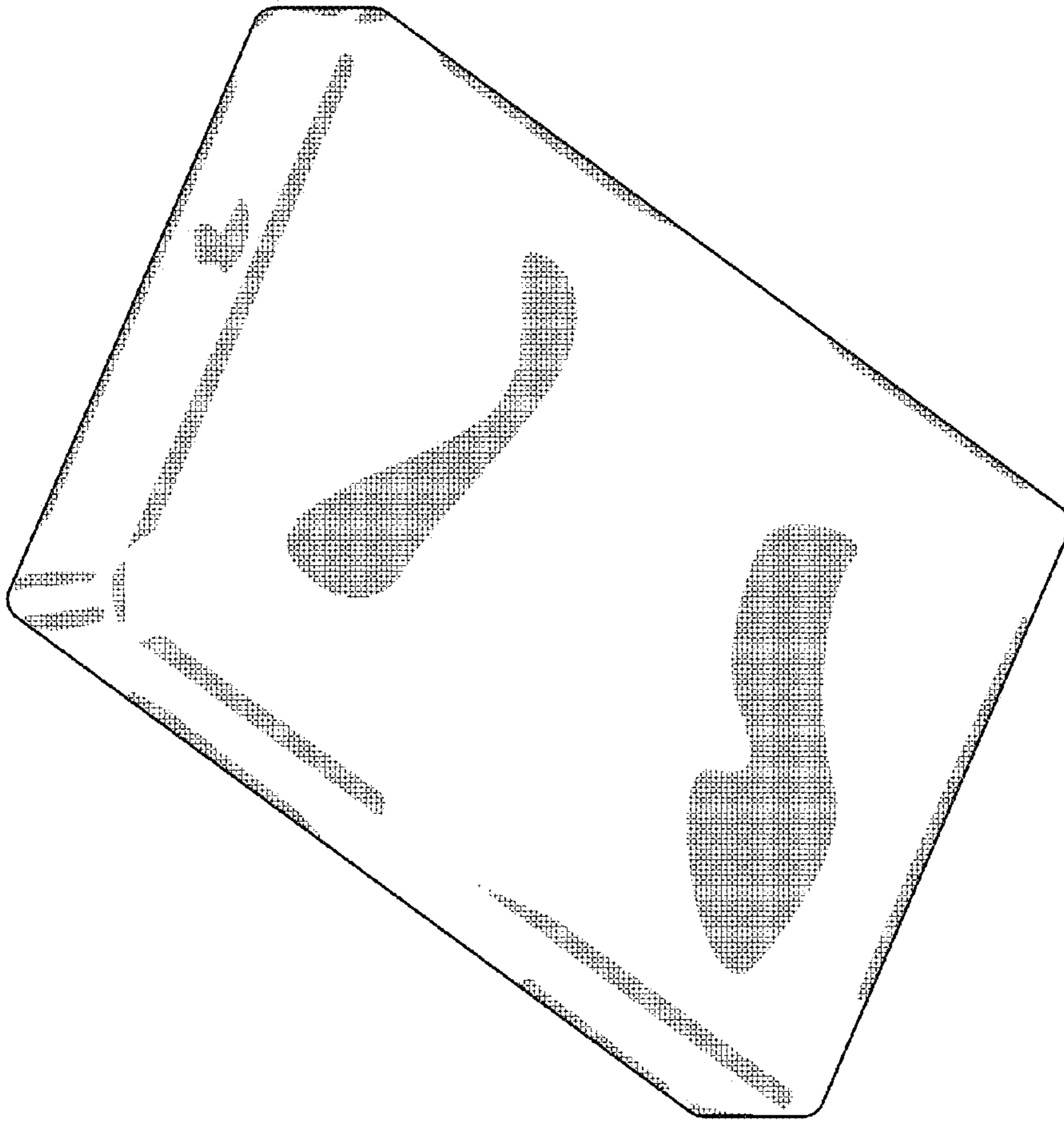


Fig. 11

perspective bottom

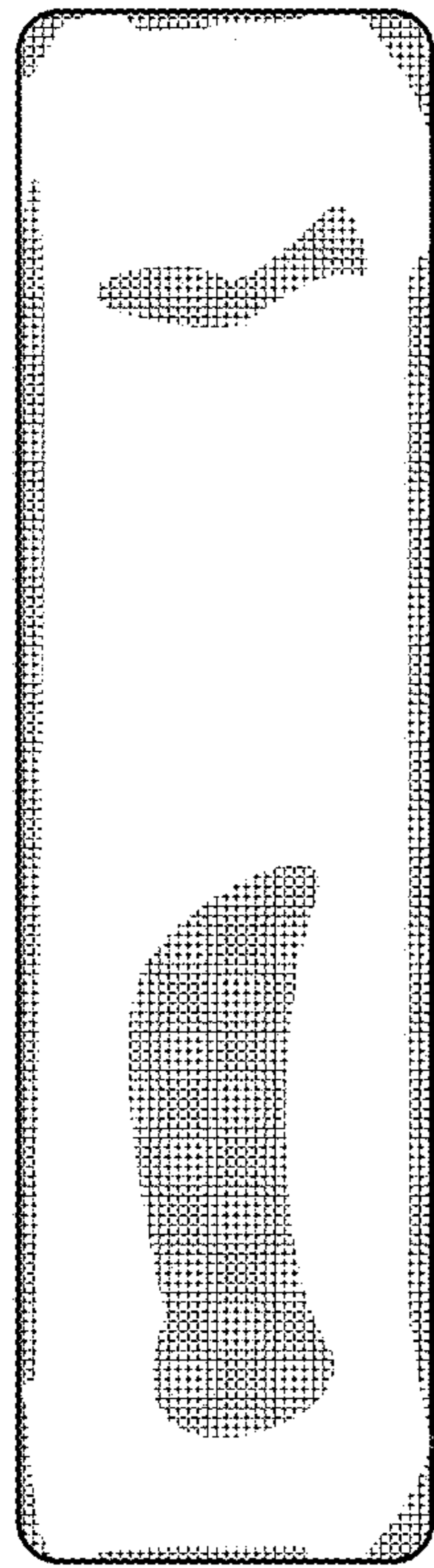


Fig. 12

front/back

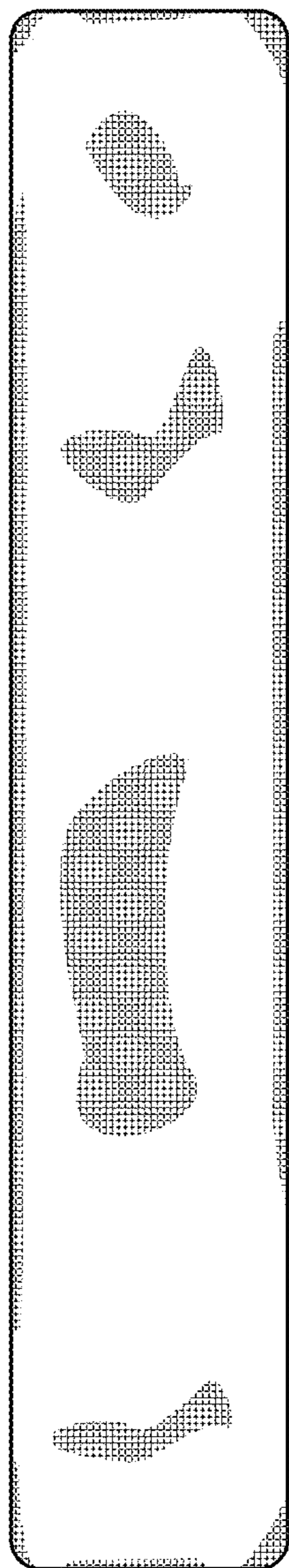


Fig. 13

left/right

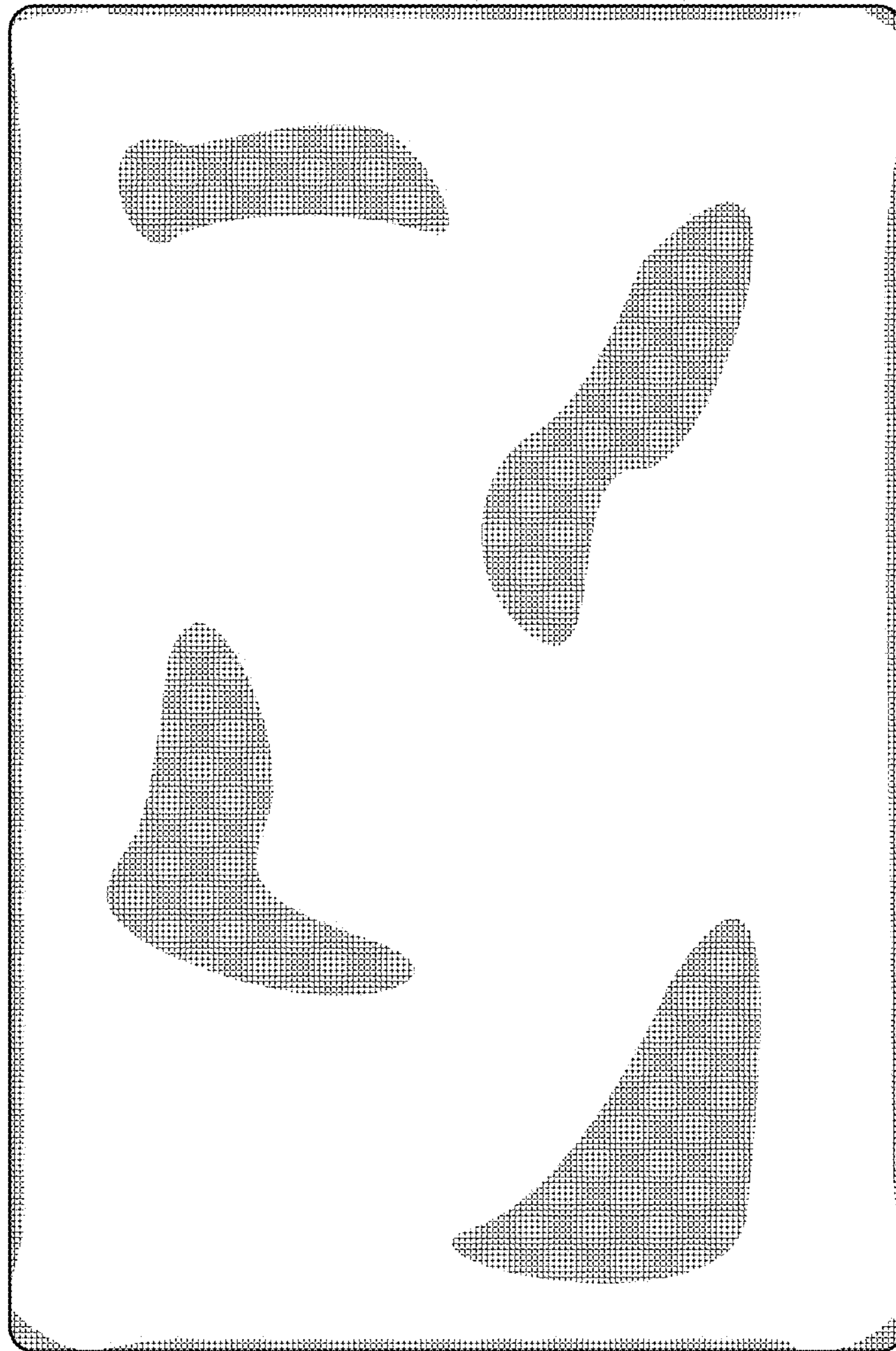


Fig. 14

top/ttom