

US00D762305S

(12) **United States Design Patent**  
**Gabathuler et al.**

(10) **Patent No.:** **US D762,305 S**  
(45) **Date of Patent:** **\*\* Jul. 26, 2016**

(54) **HEARING AID**

(71) Applicant: **Phonak AG**, Stäfa (CH)

(72) Inventors: **Bruno Gabathuler**, Grüningen (CH);  
**Erich Dittli**, Reichenburg (CH);  
**Richard Niccolai**, Uster (CH); **Hans**  
**Georg Meier**, Uerikon (CH); **Katja**  
**Dietrich**, Jona (CH)

(73) Assignee: **SONOVA AG**, Stafa (CH)

(\*\*) Term: **14 Years**

(21) Appl. No.: **29/521,301**

(22) Filed: **Mar. 23, 2015**

(30) **Foreign Application Priority Data**

Sep. 24, 2014 (WO) ..... 841 117 601

(51) **LOC (10) Cl.** ..... **24-99**

(52) **U.S. Cl.**  
USPC ..... **D24/174**

(58) **Field of Classification Search**  
USPC ..... D24/173-175; D14/205, 223-226, 249  
CPC .. H04R 2225/025; H04R 25/60; H04R 25/63;  
H04R 25/67; H04R 25/602; H04R 25/604;  
H04R 25/608; H04R 25/65; H04R 25/652

See application file for complete search history.

(56) **References Cited**

U.S. PATENT DOCUMENTS

D646,788 S *	10/2011	Dubs	.....	D24/174
D663,846 S *	7/2012	Ingold	.....	D24/174
D663,847 S *	7/2012	Dubs	.....	D24/174
D667,121 S *	9/2012	Mori	.....	D24/174
D676,559 S *	2/2013	Meinertz	.....	D24/174
D685,912 S *	7/2013	Havn	.....	D24/174
D687,952 S *	8/2013	Dubs	.....	D24/174
D698,027 S *	1/2014	Olsen	.....	D24/174
D722,168 S *	2/2015	Darkes	.....	D24/174
D734,855 S *	7/2015	Meinertz	.....	D24/174

\* cited by examiner

*Primary Examiner* — Anhdao Doan

(74) *Attorney, Agent, or Firm* — Rankin, Hill & Clark LLP

(57) **CLAIM**

The ornamental design for a hearing aid, as shown and described.

**DESCRIPTION**

FIG. 1 is a perspective view of a hearing aid embodying the design;

FIG. 2 is a front view of the hearing aid of FIG. 1;

FIG. 3 is a rear view of the hearing aid of FIG. 1;

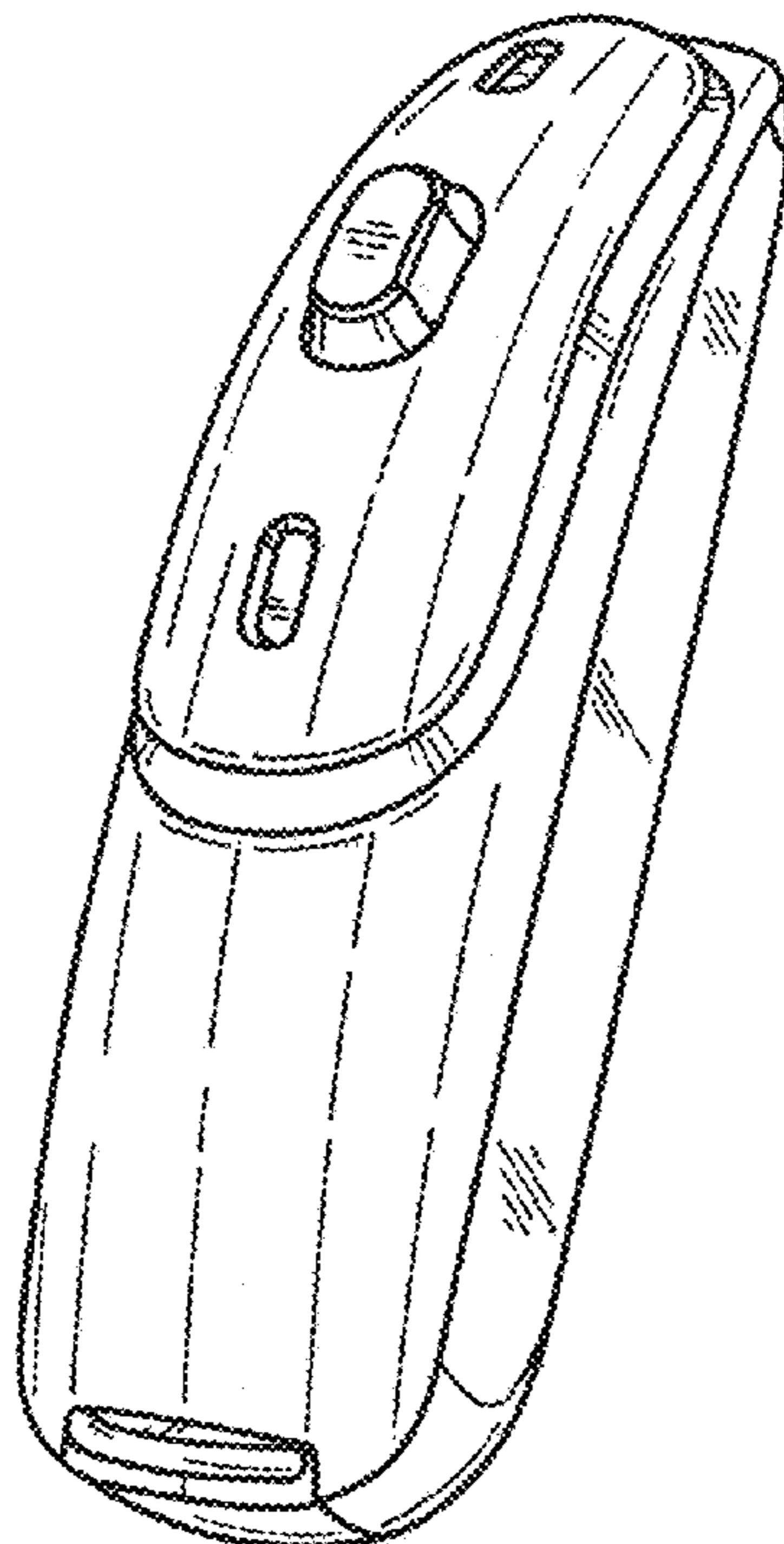
FIG. 4 is a right side view of the hearing aid of FIG. 1;

FIG. 5 is a left side view of the hearing aid of FIG. 1;

FIG. 6 is a top view of the hearing aid of FIG. 1; and,

FIG. 7 is a bottom view of the hearing aid of FIG. 1.

**1 Claim, 7 Drawing Sheets**



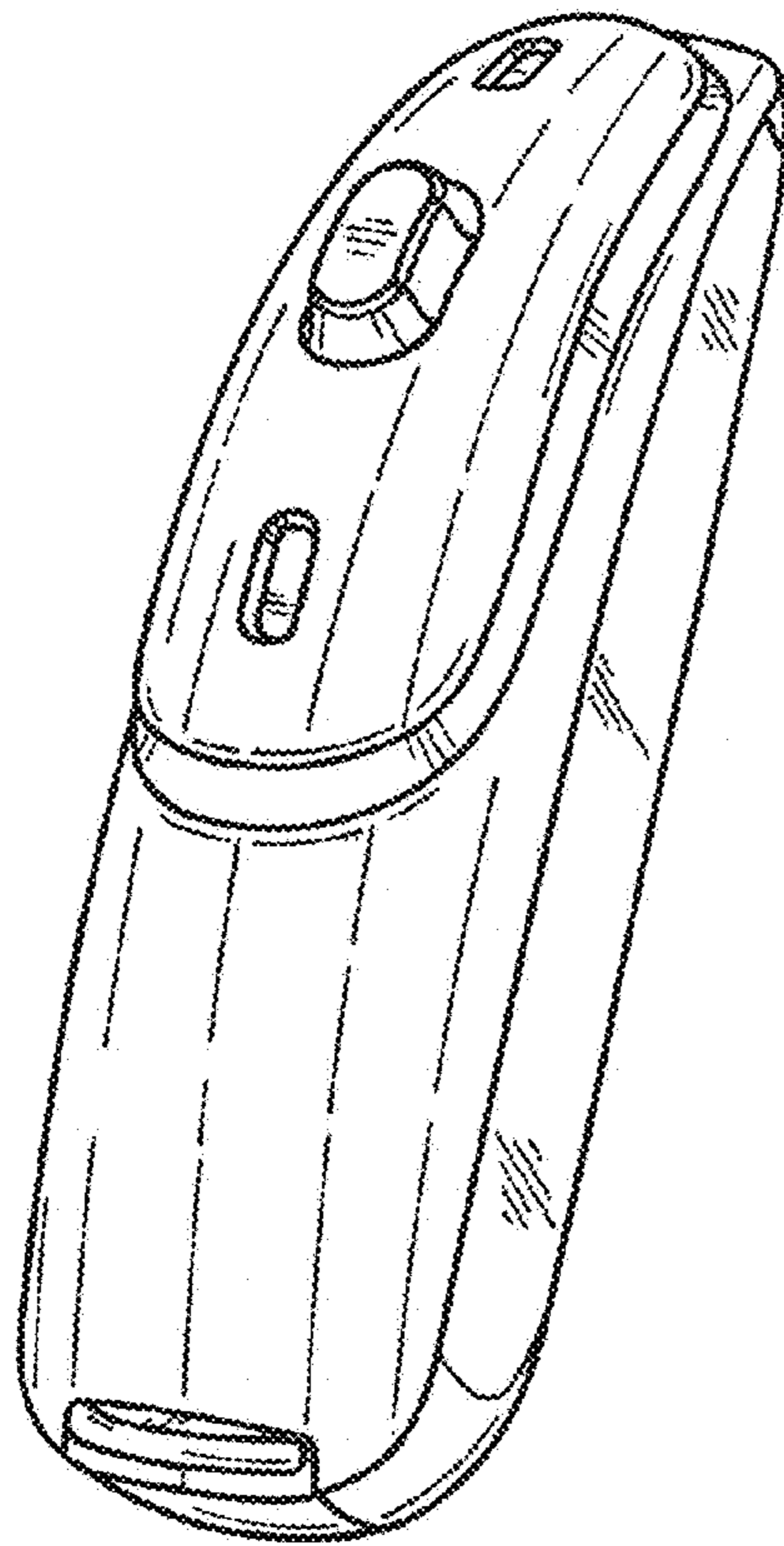


FIG. 1

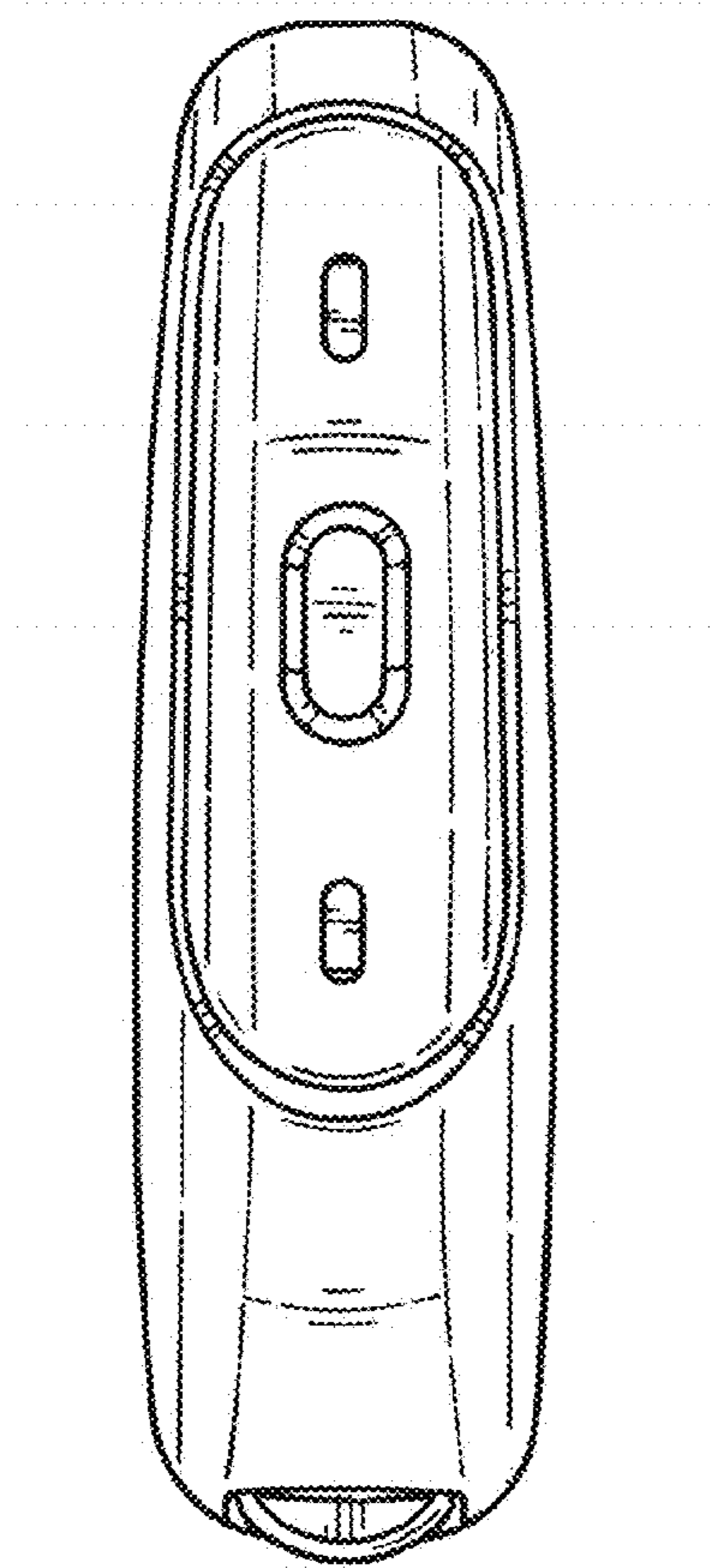


FIG. 2

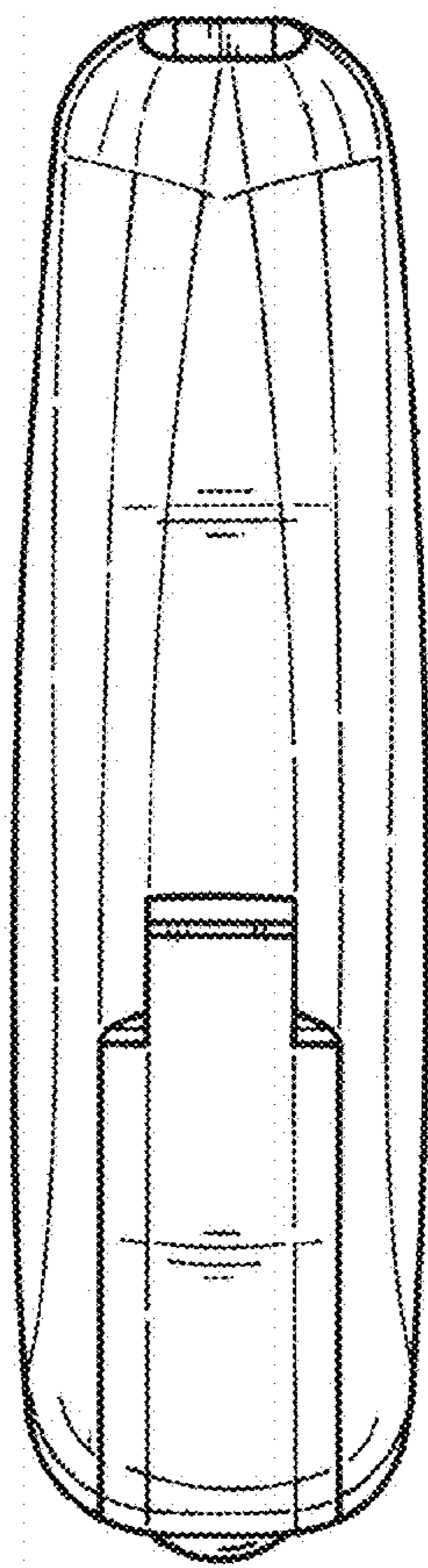


FIG. 3

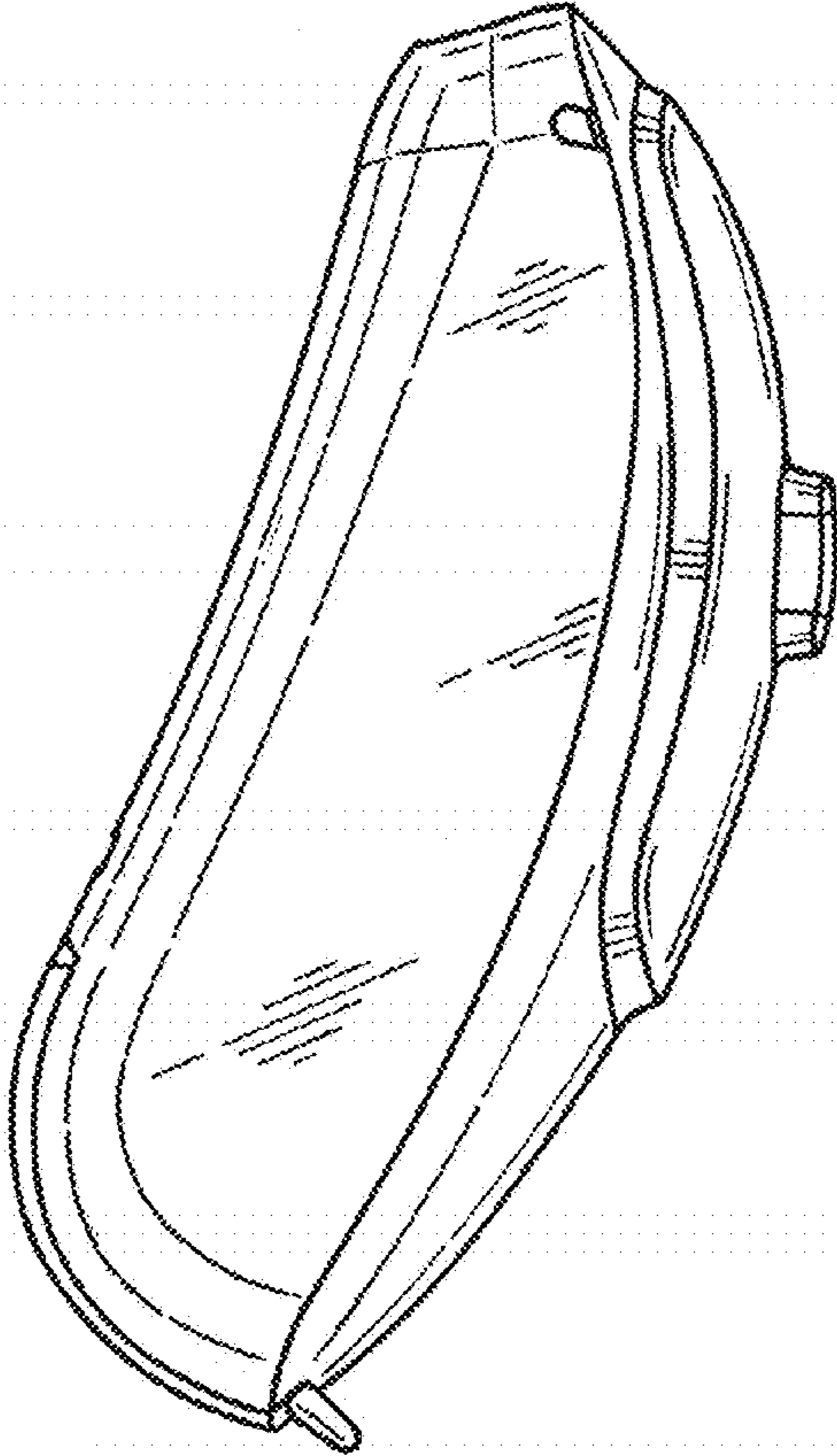


FIG. 4

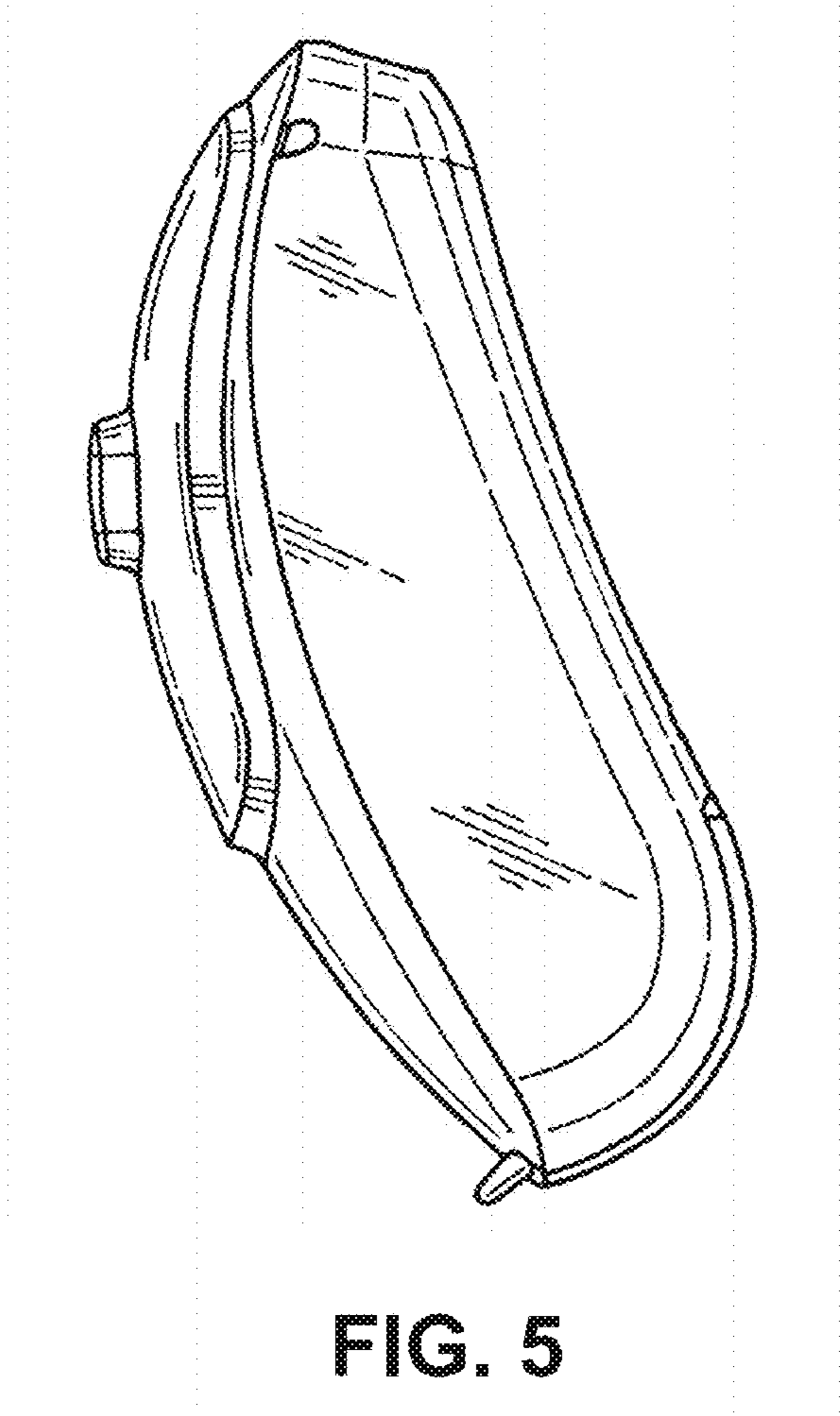


FIG. 5

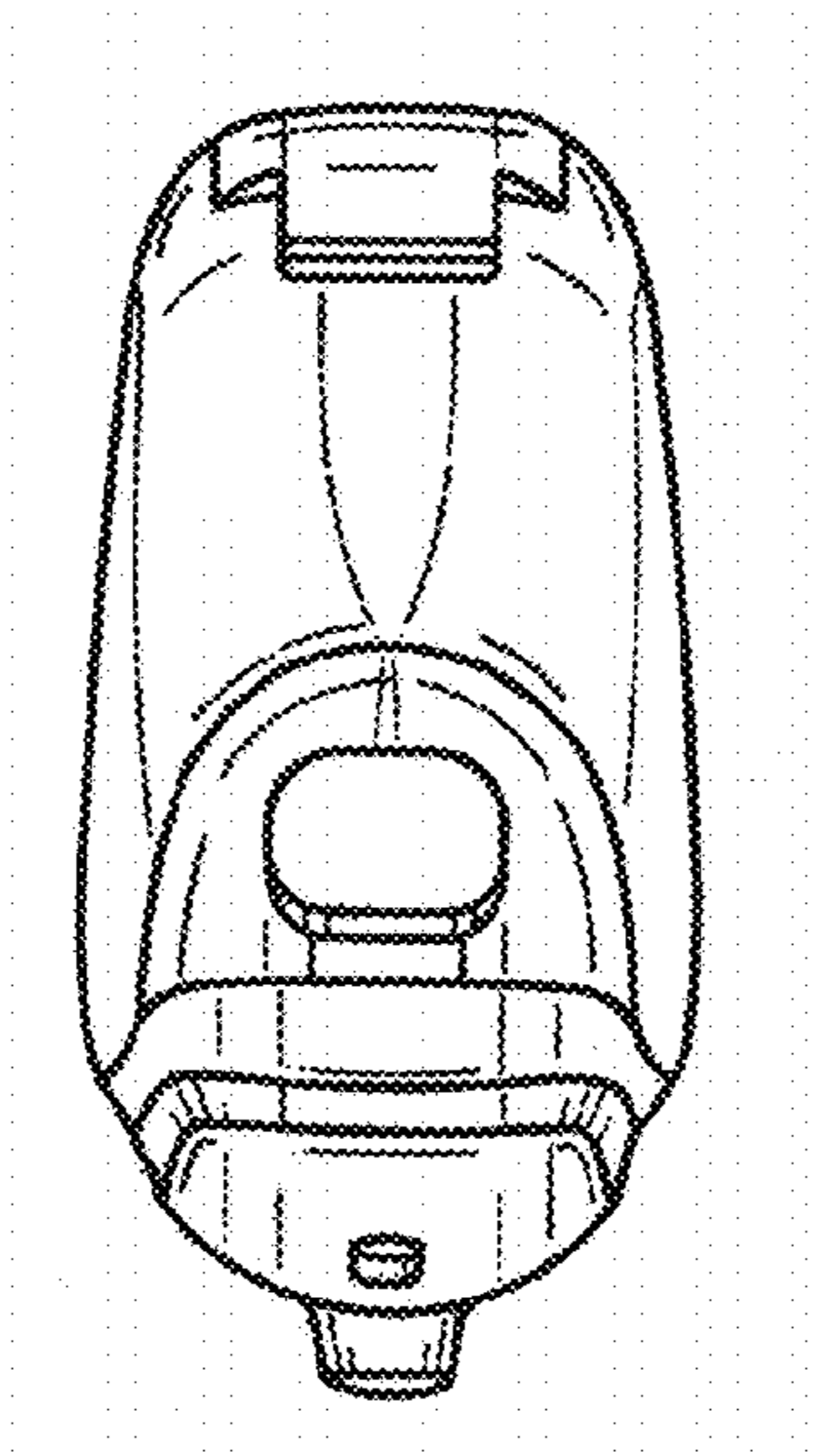
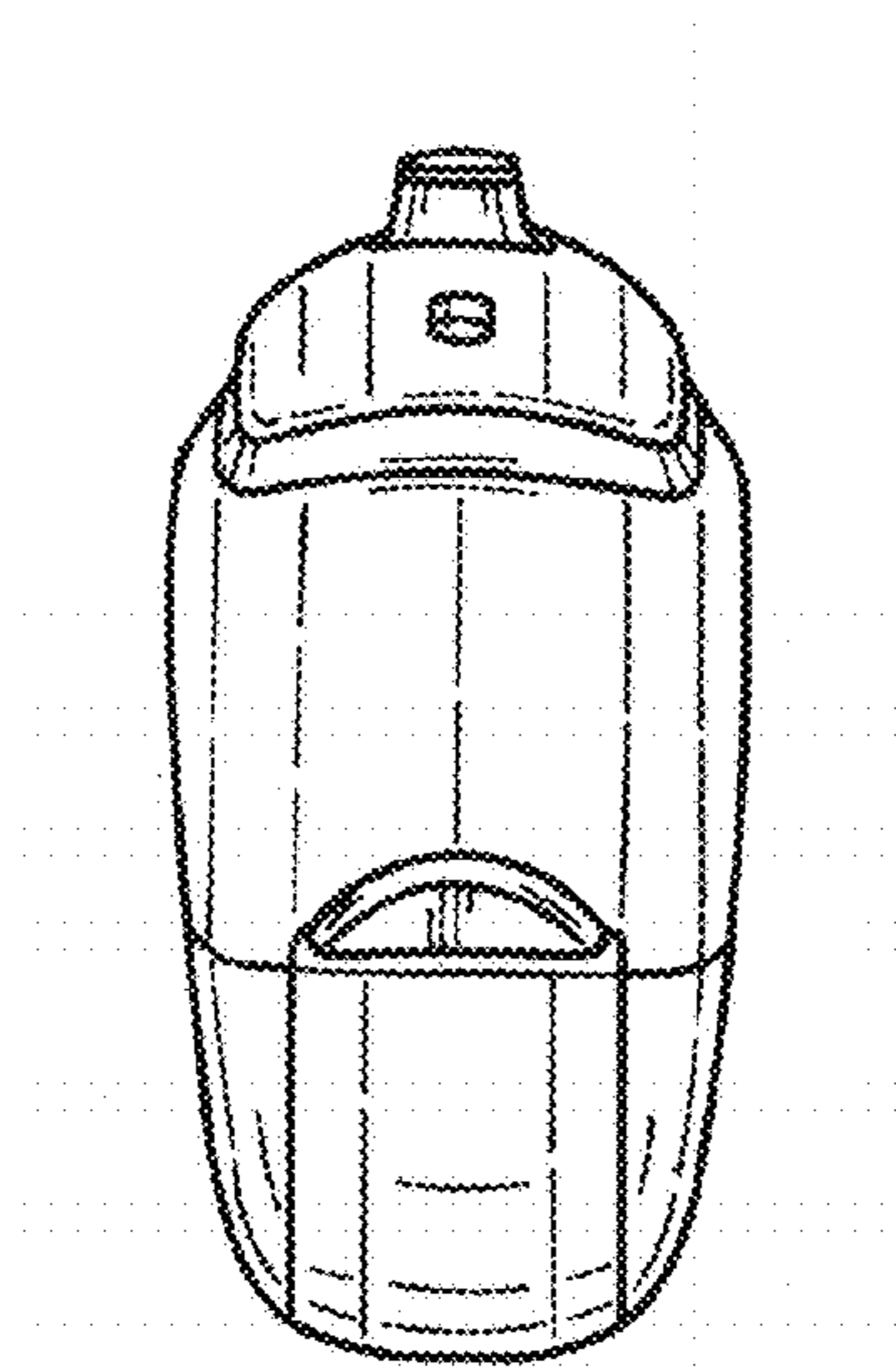


FIG. 6



**FIG. 7**