



US00D762304S

(12) **United States Design Patent**
Collins

(10) **Patent No.:** **US D762,304 S**
(45) **Date of Patent:** **** *Jul. 26, 2016**

- (54) **DISPLAY**
- (71) Applicant: **DEKA Products Limited Partnership**,
Manchester, NH (US)
- (72) Inventor: **David E. Collins**, Groveland, MA (US)
- (73) Assignee: **DEKA Products Limited Partnership**,
Manchester, NH (US)
- (*) Notice: This patent is subject to a terminal disclaimer.
- (**) Term: **14 Years**
- (21) Appl. No.: **29/493,102**
- (22) Filed: **Jun. 5, 2014**
- (51) **LOC (10) Cl.** **24-01**
- (52) **U.S. Cl.**
USPC **D24/169**
- (58) **Field of Classification Search**
USPC D24/169, 186, 107, 108, 111, 216, 219,
D24/232; 604/27, 29, 131, 132, 140, 141,
604/146, 6.01–6.05, 6.11, 6.13–6.16, 151;
D14/371
CPC A61M 1/28; A61M 1/281; A61M 1/282;
A61M 1/3621; A61M 2205/12
See application file for complete search history.

- D609,350 S * 2/2010 Hickey D24/186
- 8,512,553 B2 * 8/2013 Cicchello A61M 1/1694
210/103
- 8,597,229 B2 12/2013 Pan
- D724,740 S 3/2015 Collins et al.
- 2004/0202561 A1 * 10/2004 Hershberger A61B 17/32002
417/477.7
- 2008/0015490 A1 * 1/2008 Hershberger A61B 17/32002
604/27
- 2009/0113335 A1 * 4/2009 Sandoe G06F 19/3406
715/773
- 2009/0294359 A1 12/2009 Hopping et al.

OTHER PUBLICATIONS

Ing, Todd S., Mohamed A. Rahman, and Carl M. Kjellstrand, editors.
Dialysis: History, Development, and Promise. Hackensack, NJ:
World Scientific, 2012. 259-269.
Baxter Healthcare Corporation. *Home Choice: HomeChoice PRO
APD Systems Patient At-Home Guide*. N.p.: Baxter Healthcare Corporation,
2009: i, sect.-p. 5-8, 5-10, 20-3, 20-5, 20-19.
U.S. Appl. No. 29/493,103, filed Jun. 5, 2014.
U.S. Appl. No. 29/493,107, filed Jun. 5, 2014.

* cited by examiner

Primary Examiner — Anhdao Doan
(74) *Attorney, Agent, or Firm* — Marc J. Gorayeb

(57) **CLAIM**
The ornamental design for a display, as shown and described.

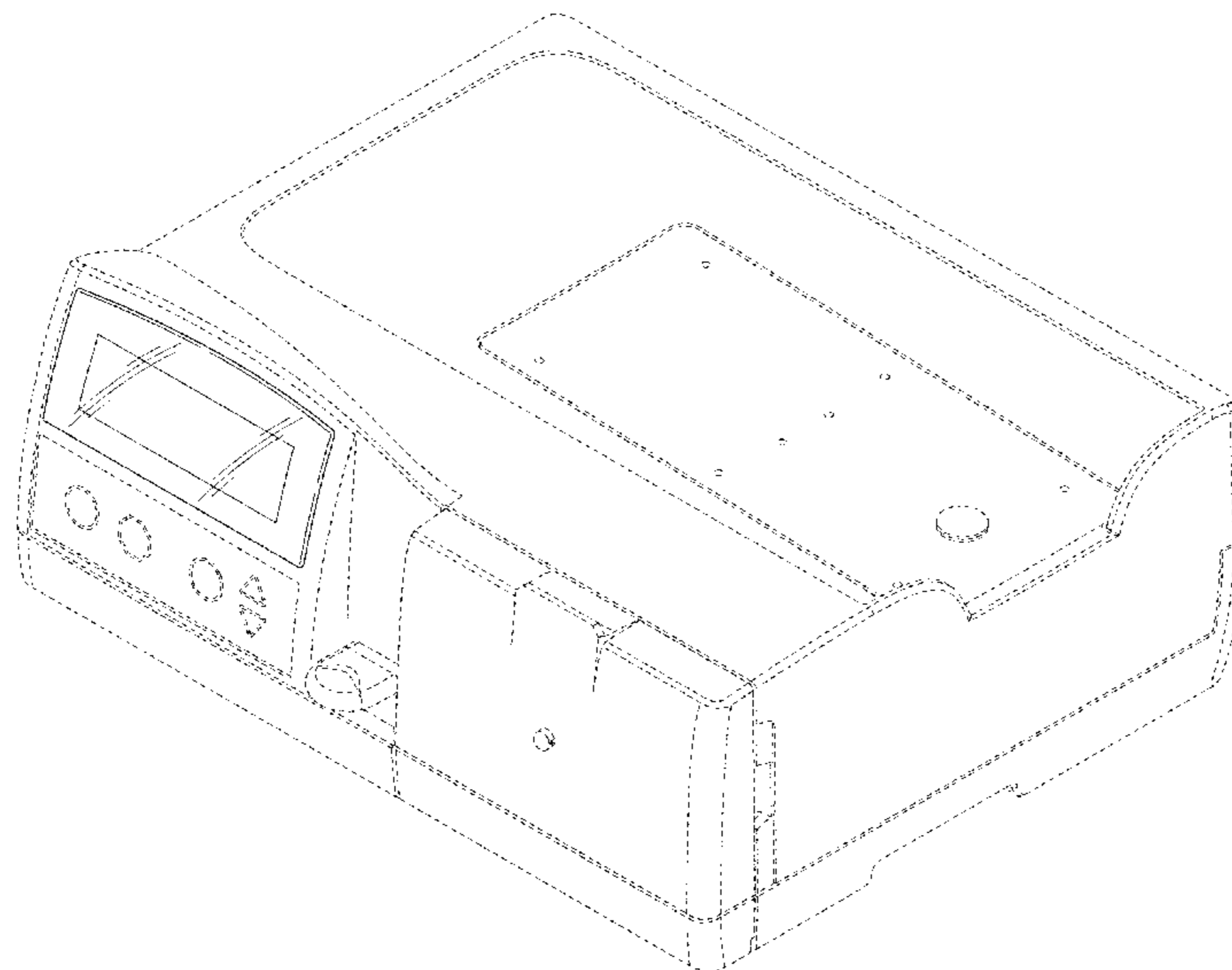
DESCRIPTION

FIG. 1 is a front, top, right perspective view of the display, showing the new design.
FIG. 2 is a front, view thereof;
FIG. 3 is a front, top, left perspective view thereof; and,
FIG. 4 is a top plan view thereof.
The broken lines in the drawings represent unclaimed subject matter and form no part of the claimed design.

1 Claim, 4 Drawing Sheets

(56) **References Cited**
U.S. PATENT DOCUMENTS

- D308,249 S * 5/1990 Buckley D24/169
- D341,890 S * 11/1993 Sievert D24/169
- D351,470 S * 10/1994 Scherer D24/169
- 5,628,908 A * 5/1997 Kamen A61M 1/28
210/180
- D393,314 S * 4/1998 Meisner D24/169
- D534,275 S * 12/2006 Hayamizu D24/107
- D556,910 S * 12/2007 Reihanifam D24/169



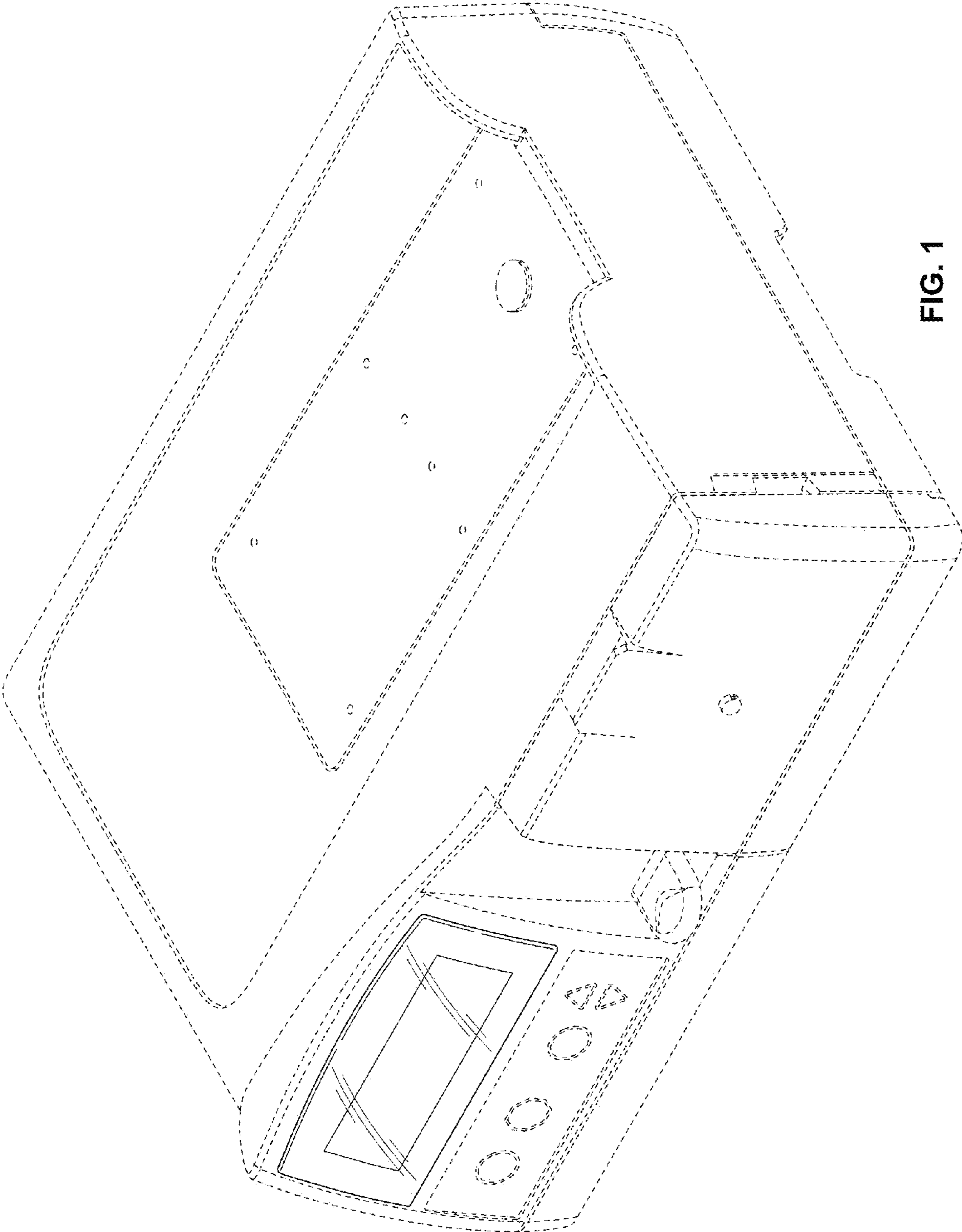


FIG. 1

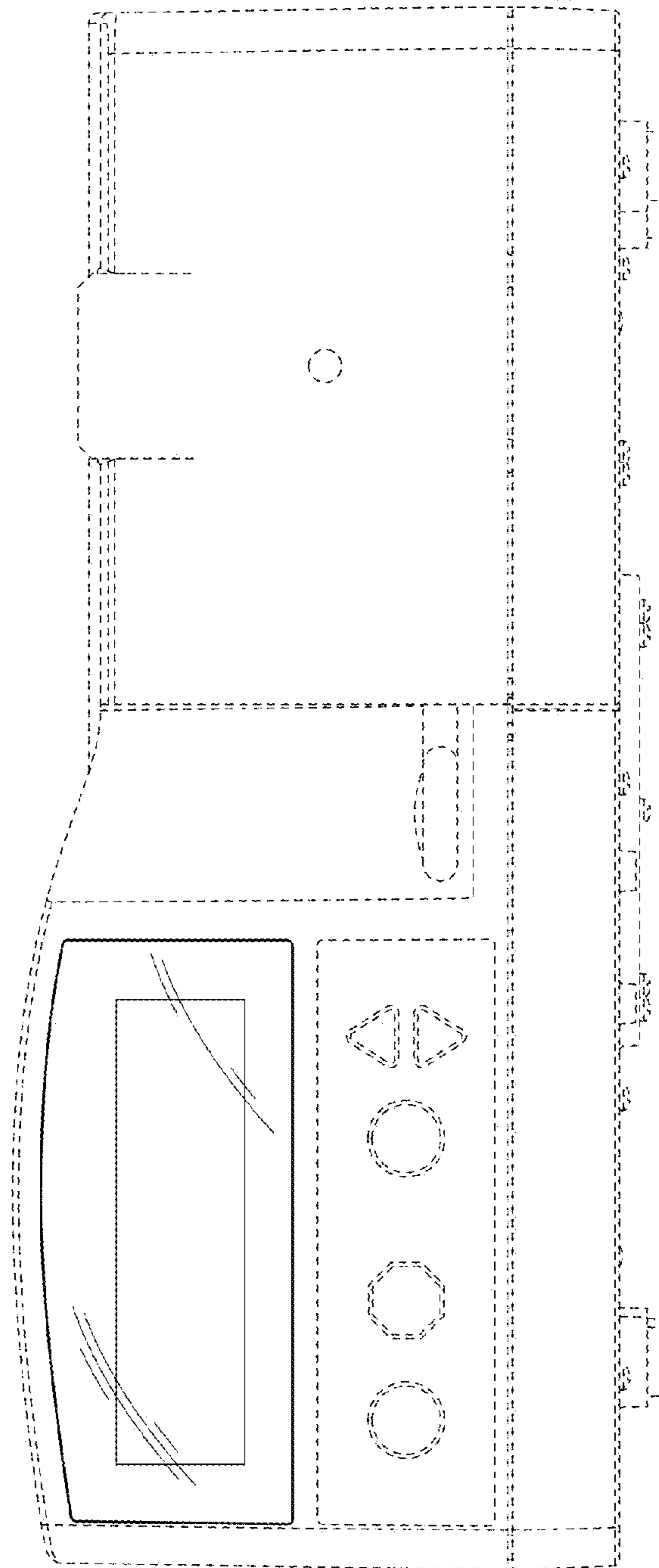


FIG. 2

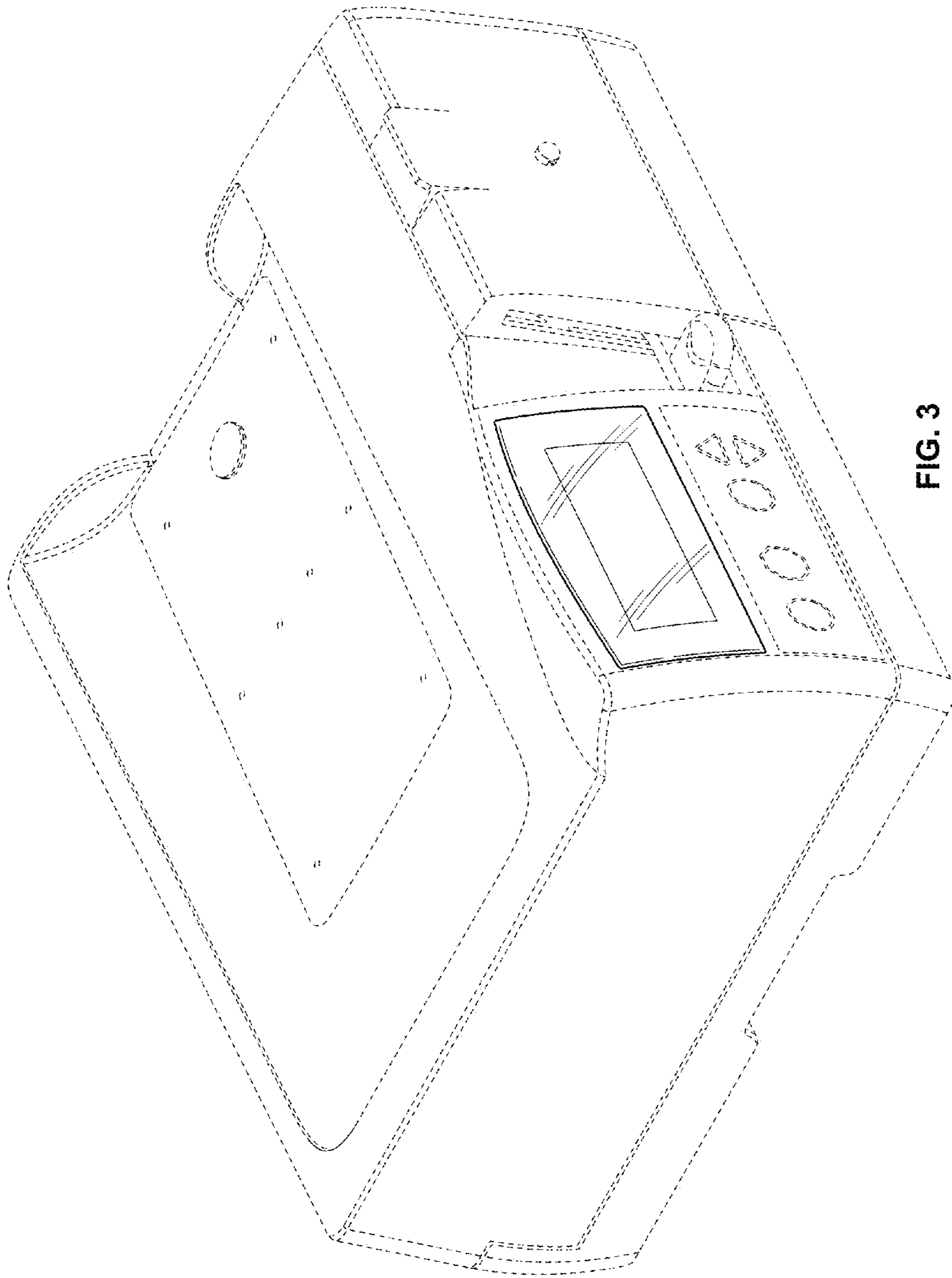


FIG. 3

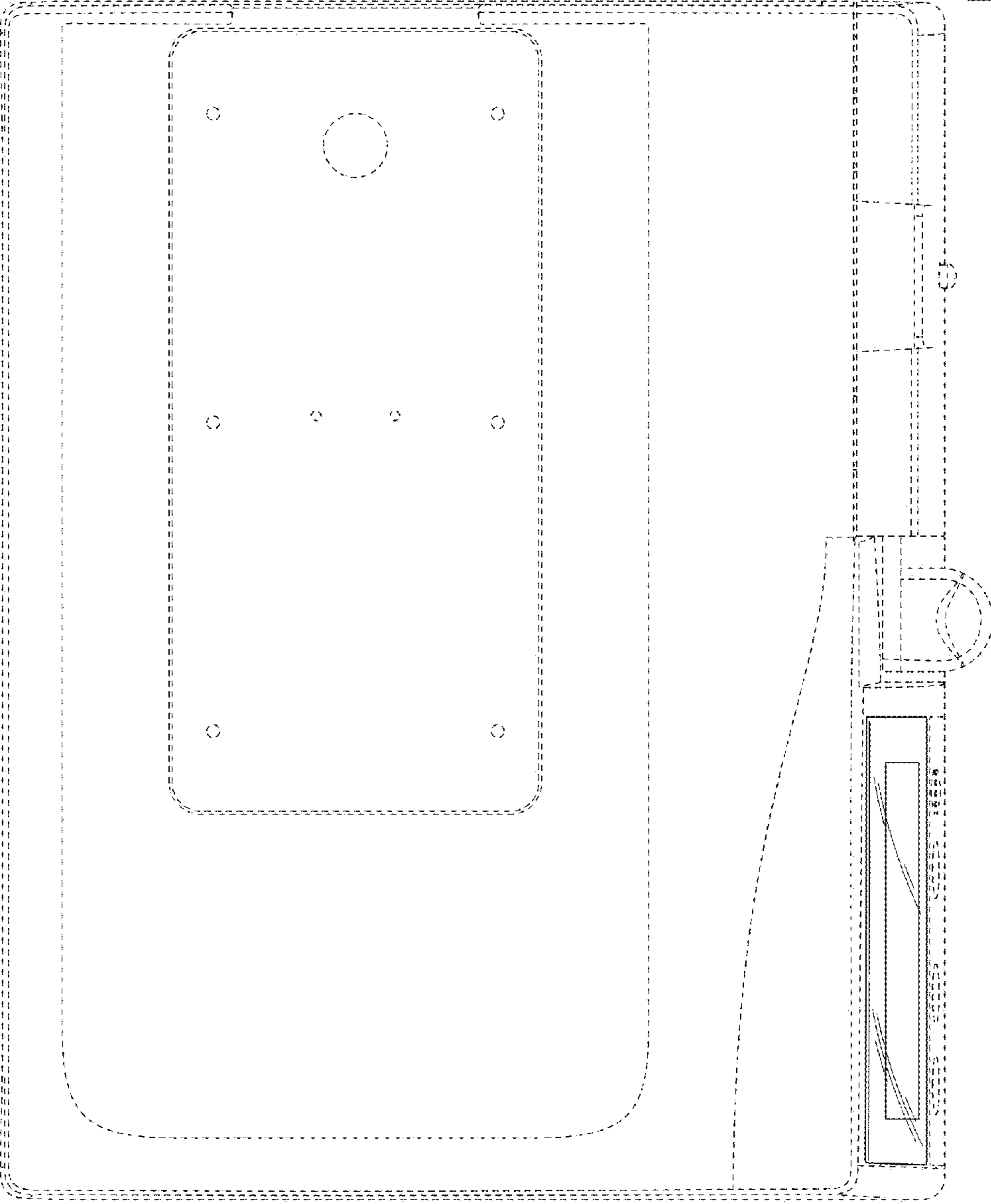


FIG. 4