

US00D762303S

(12) **United States Design Patent**
Jayaraj

(10) **Patent No.:** **US D762,303 S**
(45) **Date of Patent:** **** Jul. 26, 2016**

(54) **SURGICAL TOOL**
(71) Applicant: **Prash Jayaraj**, Burbank, CA (US)
(72) Inventor: **Prash Jayaraj**, Burbank, CA (US)
(**) Term: **15 Years**
(21) Appl. No.: **29/542,304**
(22) Filed: **Oct. 13, 2015**

Related U.S. Application Data

(62) Division of application No. 29/468,989, filed on Oct. 4, 2013, now Pat. No. Des. 743,546.
(51) **LOC (10) Cl.** **24-02**
(52) **U.S. Cl.**
USPC **D24/144**
(58) **Field of Classification Search**
USPC D24/133, 144, 147
CPC A61B 18/1402; A61B 18/1405; A61B 18/1477
See application file for complete search history.

References Cited

U.S. PATENT DOCUMENTS

5,234,428 A * 8/1993 Kaufman A61B 18/1402 604/35
5,395,363 A * 3/1995 Billings A61B 18/1402 606/41
D393,067 S * 3/1998 Geary D24/144
5,800,431 A * 9/1998 Brown A61B 18/1402 604/35

D402,030 S * 12/1998 Roberts D24/144
6,402,748 B1 * 6/2002 Schoenman A61B 18/1402 606/45
7,147,634 B2 * 12/2006 Nesbitt A61B 18/1402 606/41
D547,867 S * 7/2007 Malis D24/144
8,882,767 B2 * 11/2014 Greep 606/42
D743,030 S * 11/2015 Jayaraj D24/144

* cited by examiner

Primary Examiner — Wan Laymon

(74) *Attorney, Agent, or Firm* — K&L Gates, LLP; Louis Cullman; Brian J. Novak

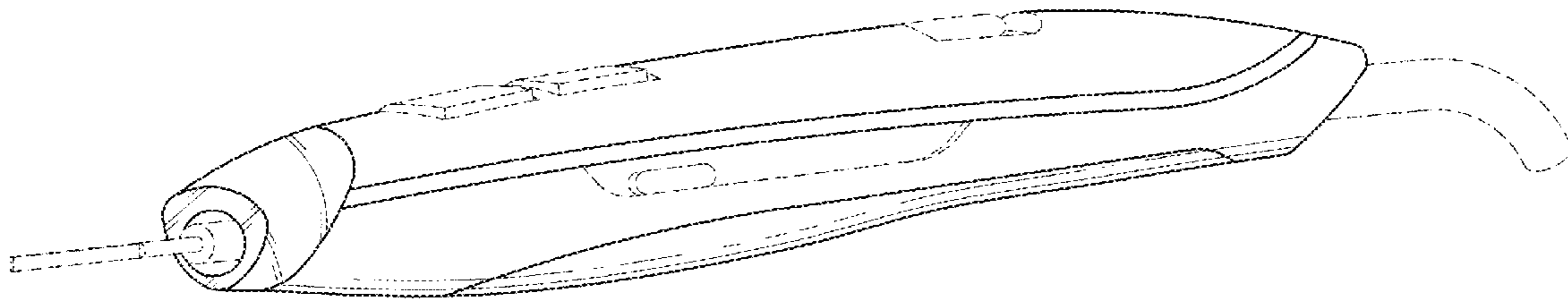
(57) **CLAIM**

The ornamental design for a surgical tool, as shown and described.

DESCRIPTION

FIG. 1 is a perspective view of a surgical tool of my design. FIG. 2 is a bottom perspective view of the surgical tool of FIG. 1. FIG. 3 is a top view of the surgical tool of FIG. 1. FIG. 4 is a first side view of the surgical tool of FIG. 1. FIG. 5 is a bottom view of the surgical tool of FIG. 1. FIG. 6 is a second side view of the surgical tool of FIG. 1. FIG. 7 is a front view of the surgical tool of FIG. 1; and, FIG. 8 is a back view of the surgical tool of FIG. 1. The broken lines shown in the figures are included for the purpose of illustrating portions of the surgical tool and form no part of the claimed design. Randomly dashed lines represent surface shading.

1 Claim, 4 Drawing Sheets



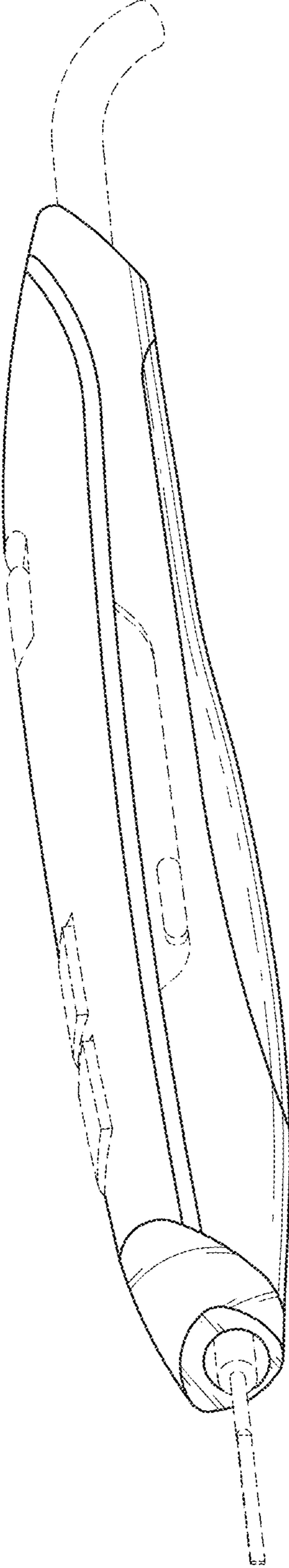


FIG. 1

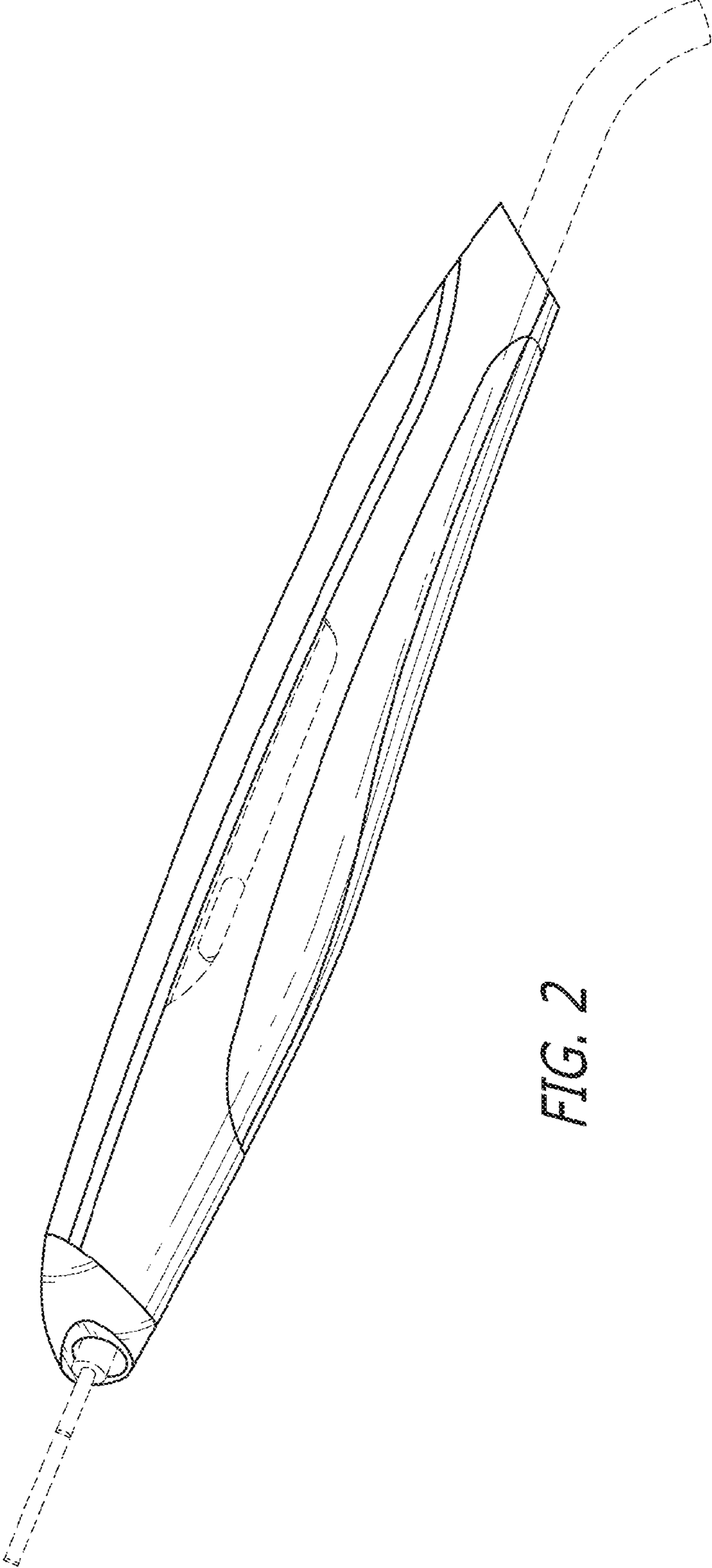


FIG. 2



FIG. 3

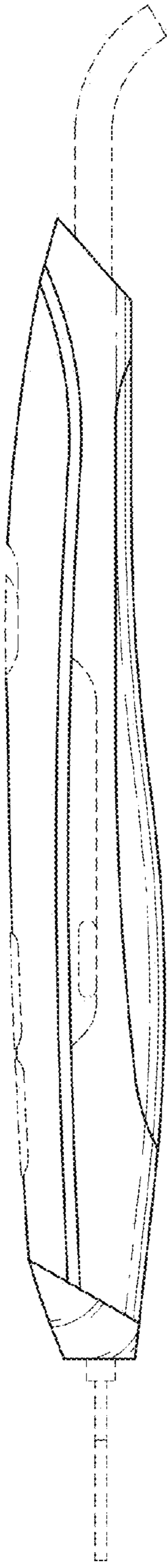


FIG. 4

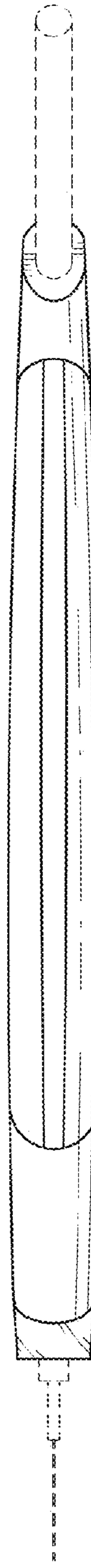


FIG. 5

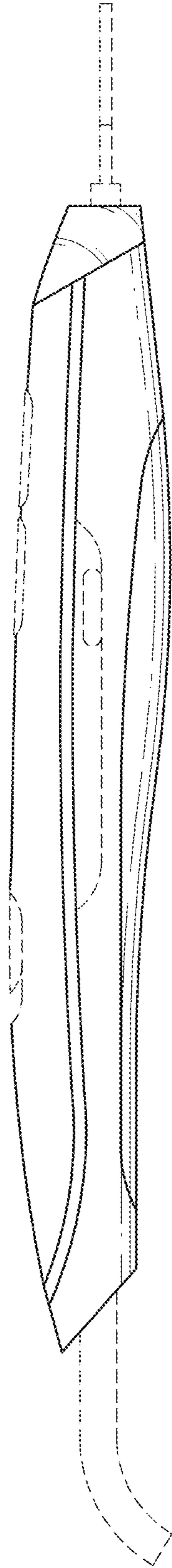


FIG. 6

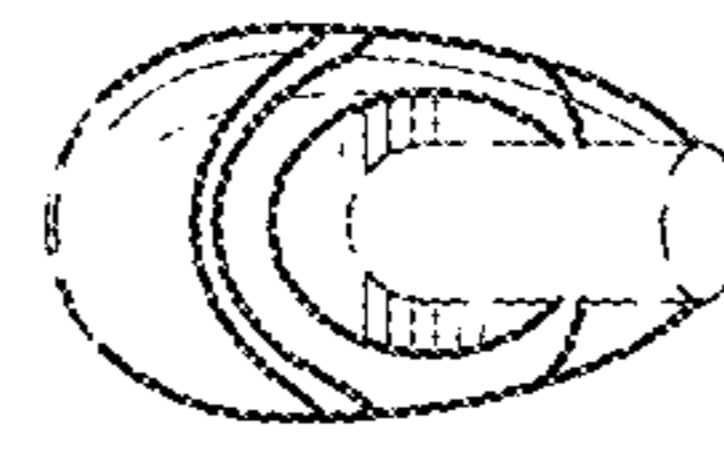


FIG. 8

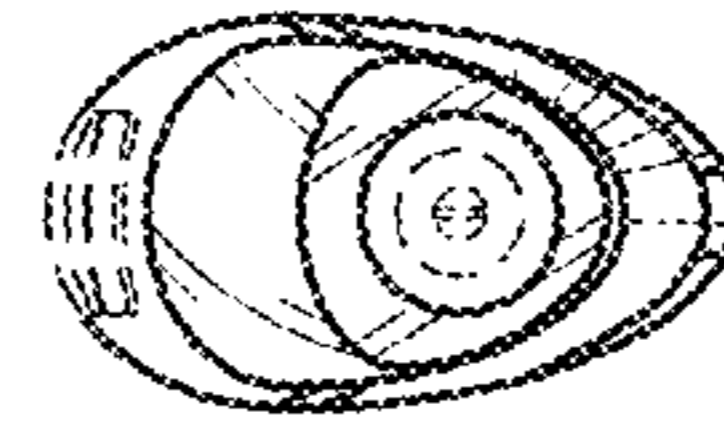


FIG. 7