

US00D762301S

(12) **United States Design Patent**
Keckstein et al.

(10) **Patent No.:** **US D762,301 S**
(45) **Date of Patent:** **** Jul. 26, 2016**

(54) **UTERINE MANIPULATOR**

(71) Applicant: **Karl Storz GmbH & Co. KG,**
Tuttlingen (DE)

(72) Inventors: **Jörg Keckstein, Villach (AT); Rainer Hermle, Gosheim (DE)**

(73) Assignee: **Karl Storz GmbH & Co. KG,**
Tuttlingen (DE)

(**) Term: **14 Years**

(21) Appl. No.: **29/521,466**

(22) Filed: **Mar. 24, 2015**

(30) **Foreign Application Priority Data**

Sep. 24, 2014 (EM) 002544015-0001

(51) **LOC (10) Cl.** **24-02**

(52) **U.S. Cl.**
USPC **D24/141; D24/133**

(58) **Field of Classification Search**
USPC D24/133, 141, 143, 147; 606/119
CPC A61B 17/42; A61B 17/4241
See application file for complete search history.

(56) **References Cited**

U.S. PATENT DOCUMENTS

- 5,409,496 A * 4/1995 Rowden A61B 17/4241
606/119
- 5,487,377 A * 1/1996 Smith A61B 17/4241
600/204
- 5,540,700 A * 7/1996 Rowden A61B 17/4241
600/201
- 5,643,285 A * 7/1997 Rowden A61B 17/4241
606/119
- D536,446 S * 2/2007 Doll D24/141
- D628,694 S * 12/2010 Donnez D24/141
- D667,550 S 9/2012 Keckstein
- 8,292,901 B2 * 10/2012 Auerbach A61B 17/4241
600/185
- 8,323,278 B2 * 12/2012 Brecheen A61B 17/42
606/170
- 8,475,469 B2 * 7/2013 Walter A61B 17/4241
606/119
- 8,663,239 B2 * 3/2014 Hess A61B 17/4241
606/119

- 8,939,988 B2 * 1/2015 Auerbach A61B 17/4241
606/119
- 2001/0021854 A1 * 9/2001 Donnez A61B 17/4241
606/119
- 2010/0280524 A1 * 11/2010 Lopez Zepeda ... A61B 17/4241
606/119
- 2014/0303641 A1 * 10/2014 Boebel A61B 17/4241
606/119
- 2014/0358158 A1 * 12/2014 Einarsson A61B 17/42
606/119

FOREIGN PATENT DOCUMENTS

CN 302903453 * 4/2014

OTHER PUBLICATIONS

Storz—Karl Storz Endoskope, EndoWorld Uterus-Manipulator n. Keckstein, 2014, 8 pages.

Uterine Manipulators from Karl Storz, Jul. 2011 Issue, 44 pages.

Richard Wolf, Donnez Uterus Manipulator, 2004, 2 pages.

Richard Wolf, Sicherheit im neuen Licht, 2013, 4 pages.

* cited by examiner

Primary Examiner — Wan Laymon

(74) *Attorney, Agent, or Firm* — Whitmyer IP Group LLC

(57) **CLAIM**

The ornamental design for a uterine manipulator, as shown and described.

DESCRIPTION

FIG. 1 is a bottom left side isometric view of a uterine manipulator in accordance with the new design;

FIG. 2 is a left side elevation view thereof;

FIG. 3 is a right side elevation view thereof.

FIG. 4 is a top plan view thereof;

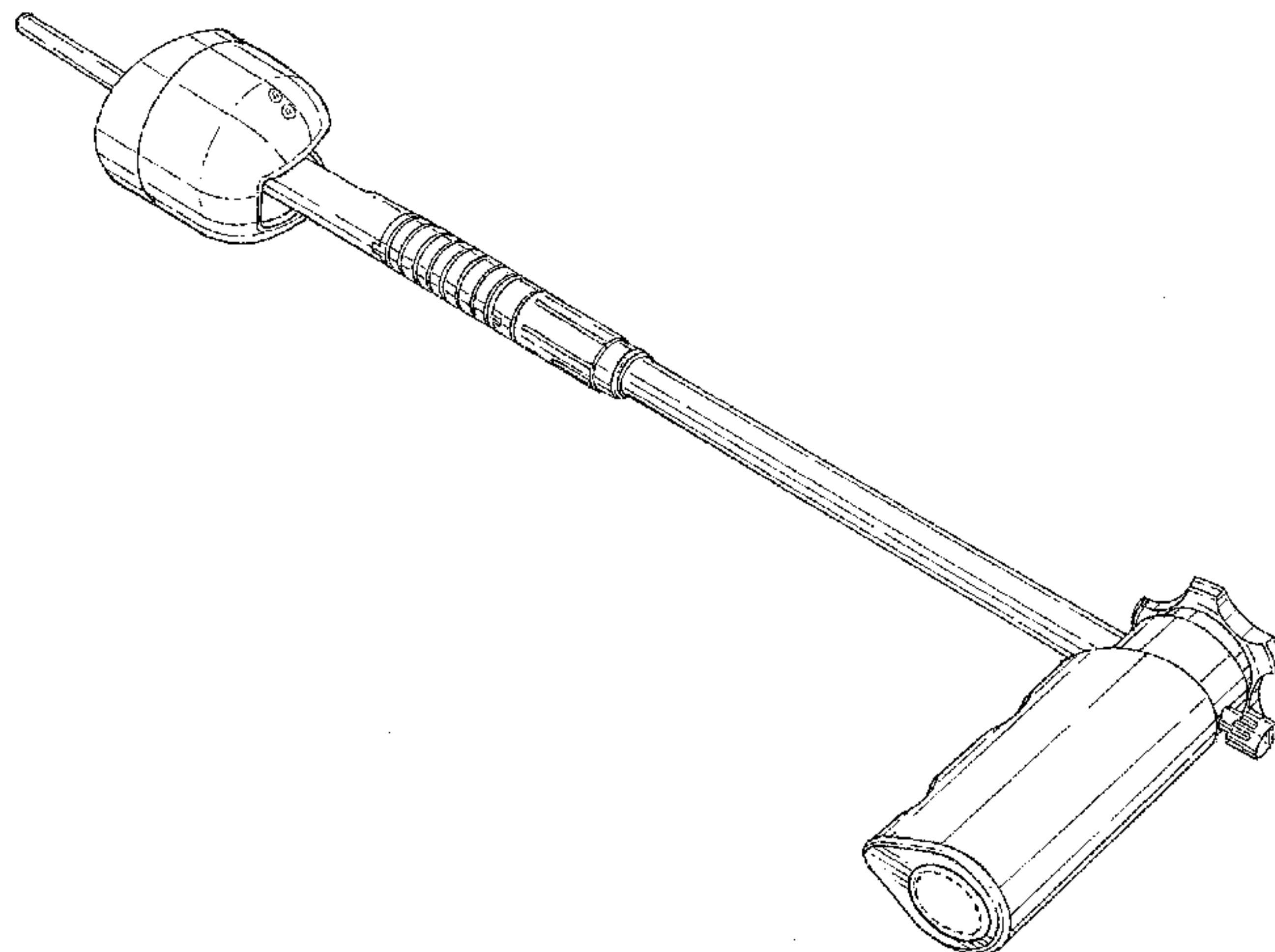
FIG. 5 is a bottom plan view thereof;

FIG. 6 is an enlarged front elevational view thereof; and,

FIG. 7 is an enlarged rear elevational view thereof.

The broken lines shown in FIGS. 1, 3, 4, 5, and 6 are for the purpose of illustrating portions of the uterine manipulator that form no part of the claimed design.

1 Claim, 7 Drawing Sheets



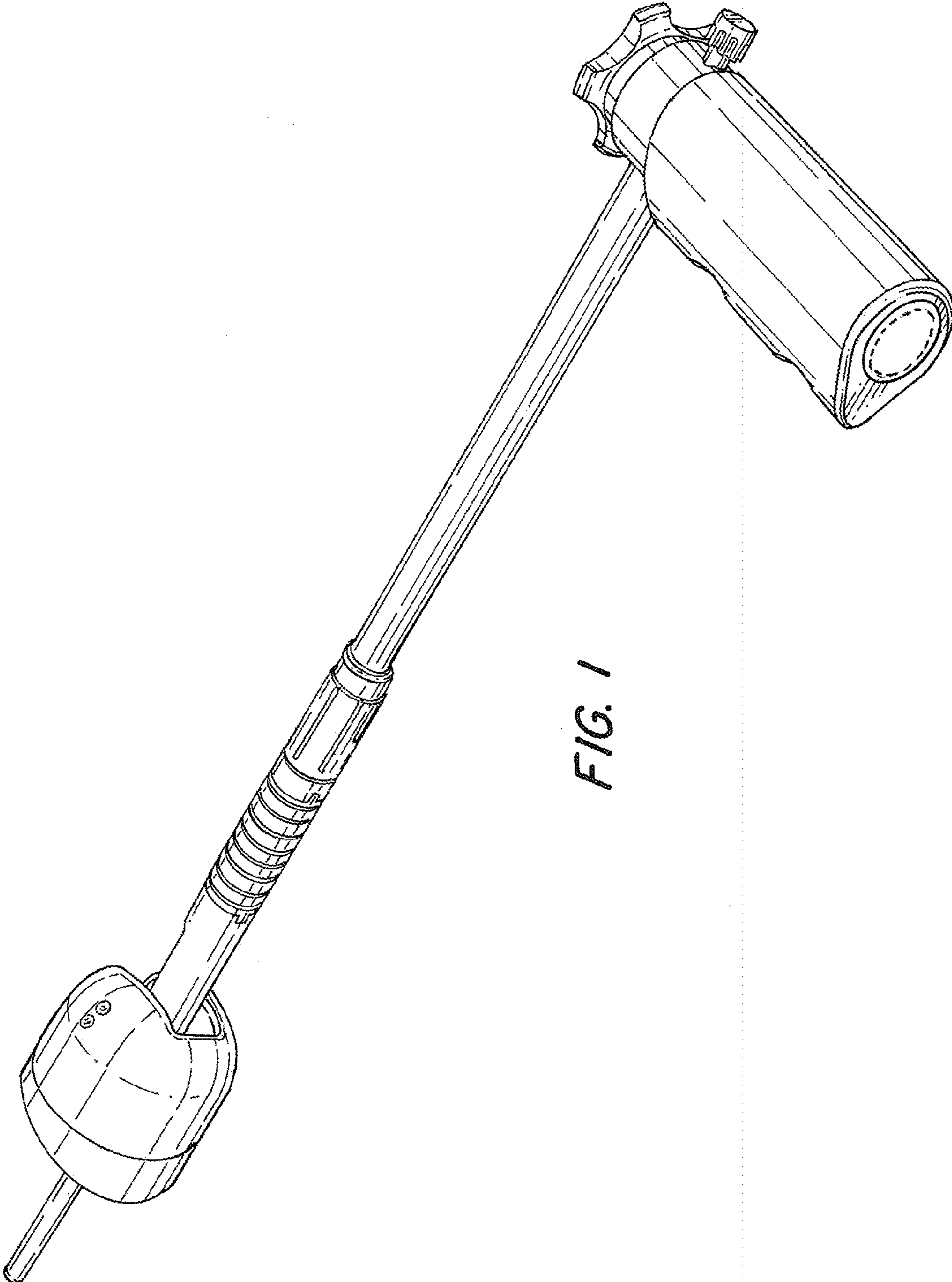


FIG. 1

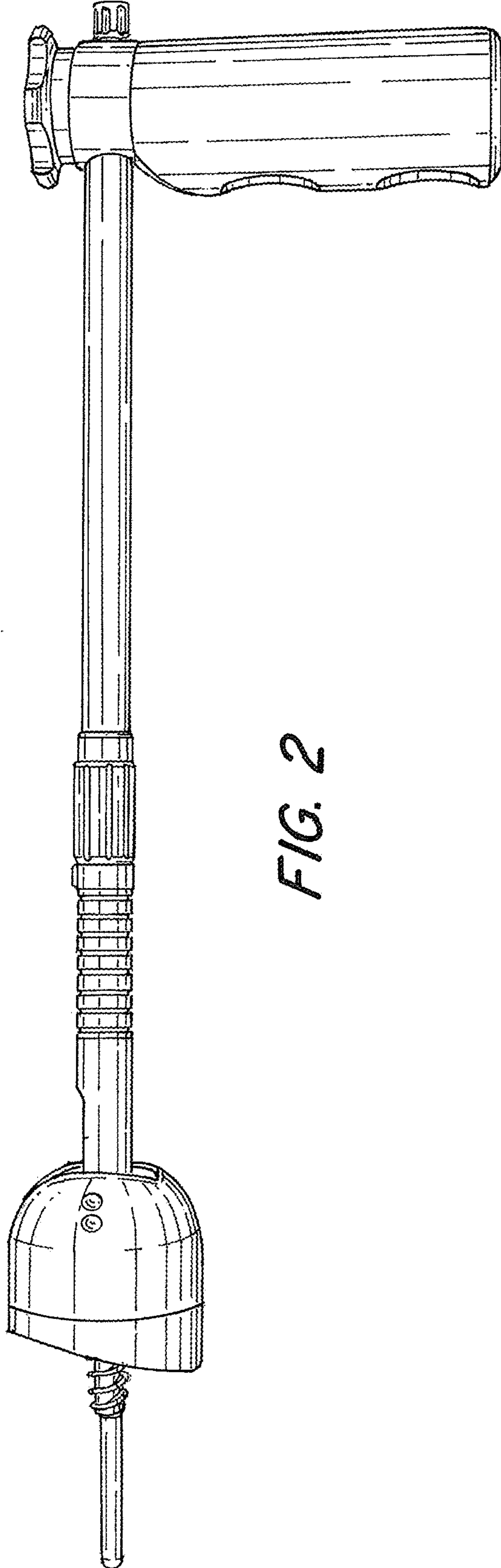


FIG. 2

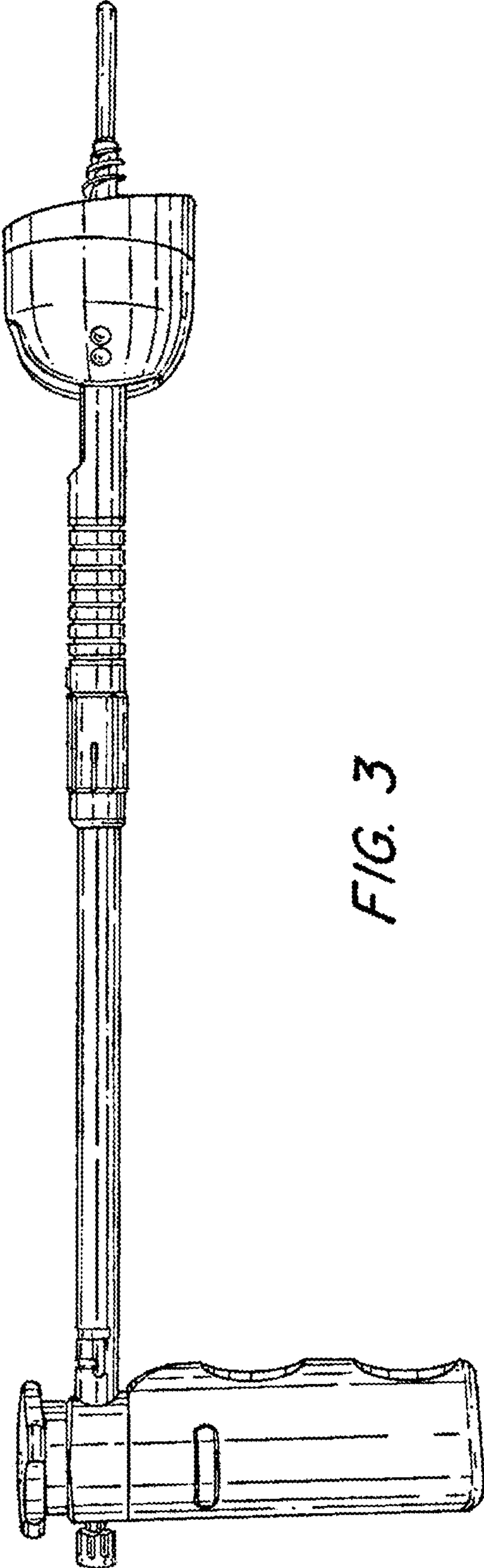


FIG. 3

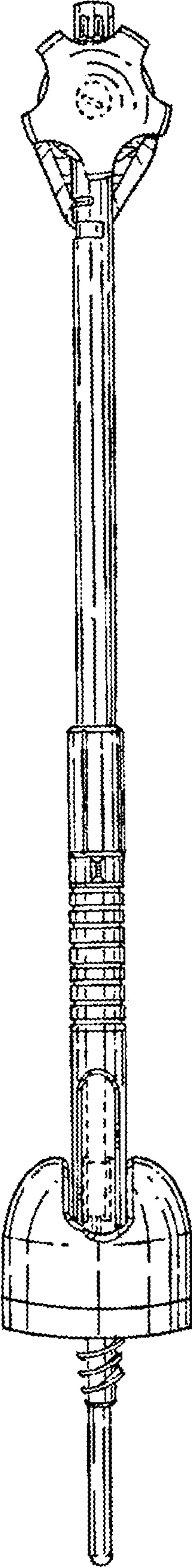


FIG. 4

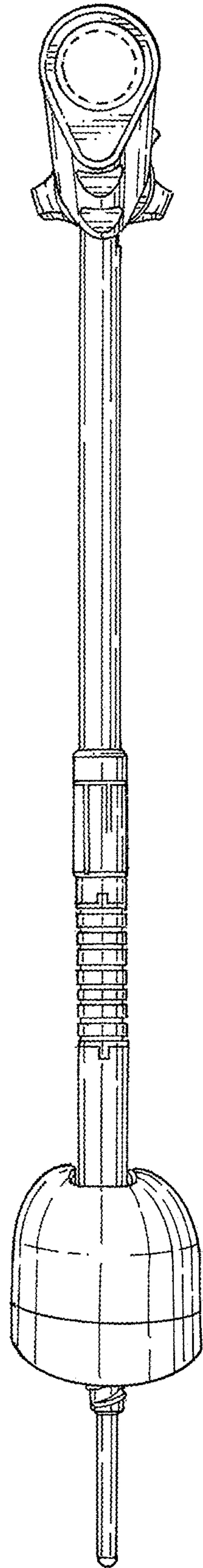


FIG. 5

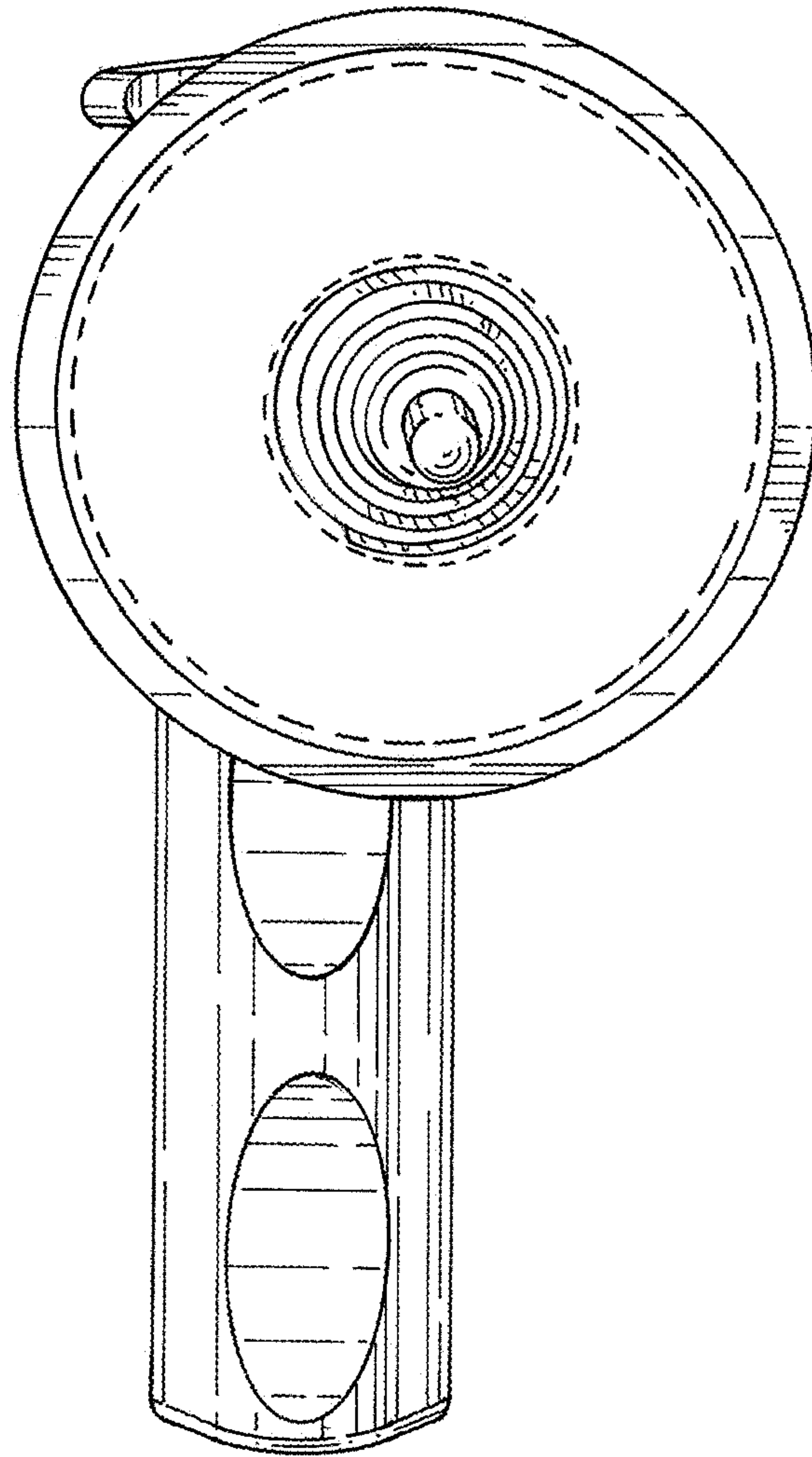


FIG. 6

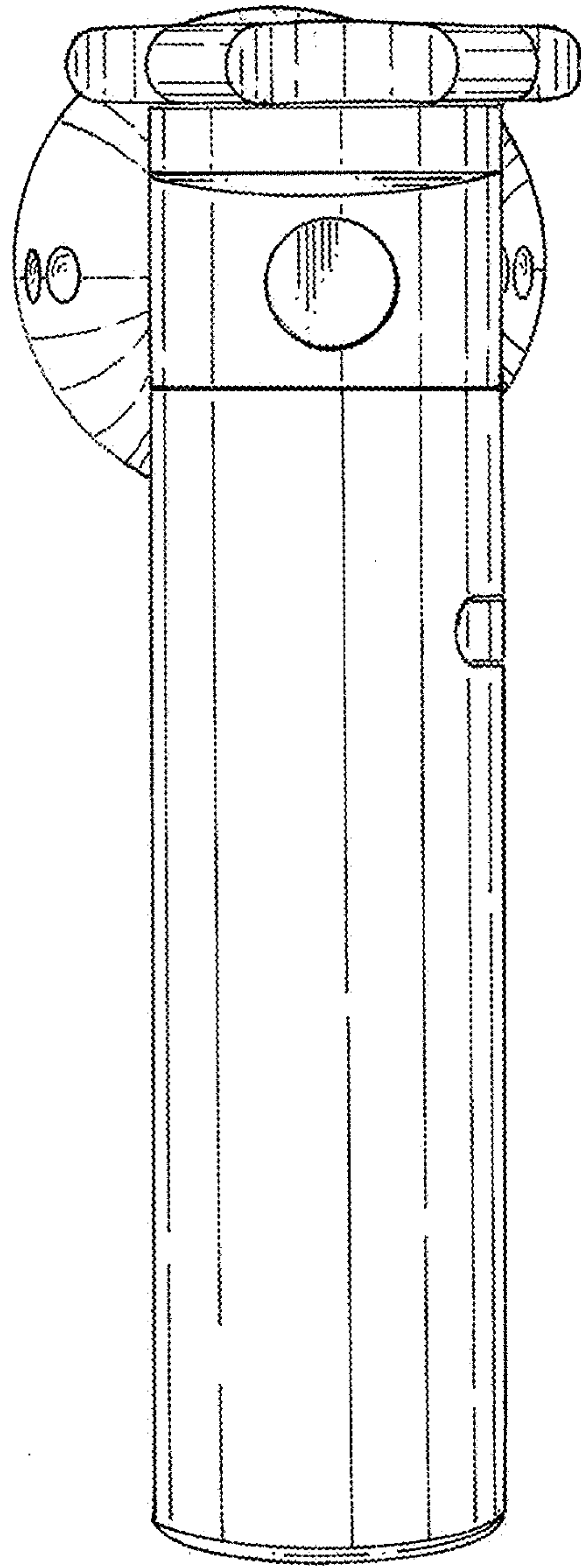


FIG. 7