



US00D762300S

(12) **United States Design Patent**
Breitweiser et al.

(10) **Patent No.:** **US D762,300 S**
(45) **Date of Patent:** **** Jul. 26, 2016**

(54) **MEDICAL DEVICE SUPPORTING APPARATUS**

- (71) Applicant: **Covidien LP**, Mansfield, MA (US)
- (72) Inventors: **Kenneth M. Breitweiser**, Brighton, IL (US); **Lester Paul Trelford**, St. Louis, MO (US); **Joel D. Wiesner**, St. Peters, MO (US); **James M. Harr**, Wentzville, MO (US)
- (73) Assignee: **Covidien LP**, Mansfield, MA (US)
- (**) Term: **14 Years**
- (21) Appl. No.: **29/468,393**
- (22) Filed: **Sep. 30, 2013**
- (51) **LOC (10) Cl.** **24-01**
- (52) **U.S. Cl.**
USPC **D24/128**
- (58) **Field of Classification Search**
USPC D24/127-131, 112-114, 133, 186, 181, D24/143; 606/181, 185; 604/264, 272, 115, 604/232, 187, 158, 164.08, 192, 263, 163, 604/181, 184, 198, 227; 600/101, 139, 143; 128/200.24, 207.14, 207.15; D8/71-74, 394-399, 354, 355, 356, D8/59; 248/62, 63, 72, 74.1, 689, 124.2; 81/487, 385, 386, 388-390; 269/3, 4, 269/6, 143, 165, 240, 243, 246-249, 254 R, 269/147-149; 29/256, 257, 276; D15/140; 408/103, 104-109; D7/683, 685, 686; D6/684
CPC B25B 1/00; B25B 5/00
See application file for complete search history.

(56) **References Cited**

U.S. PATENT DOCUMENTS

D262,237	S	*	12/1981	Stauber	D24/128
D267,625	S	*	1/1983	Dark	D8/73
D279,959	S	*	8/1985	Nimmo et al.	D8/396
D406,036	S	*	2/1999	Flachslaender et al.	D8/74
6,277,109	B1	*	8/2001	Harper et al.	604/540
D474,676	S	*	5/2003	Bainbridge	D8/354
D484,018	S	*	12/2003	Boyer et al.	D8/74
D551,528	S	*	9/2007	Vautour	D8/72
D628,693	S	*	12/2010	Thuenker	D24/133
D670,160	S	*	11/2012	Bitarchas et al.	D8/394
D715,790	S	*	10/2014	Conomos et al.	D14/253
D716,443	S	*	10/2014	Marguerie	D24/128
D719,000	S	*	12/2014	Palmer	D8/73

* cited by examiner

Primary Examiner — David Muller
Assistant Examiner — Nathan Johnston

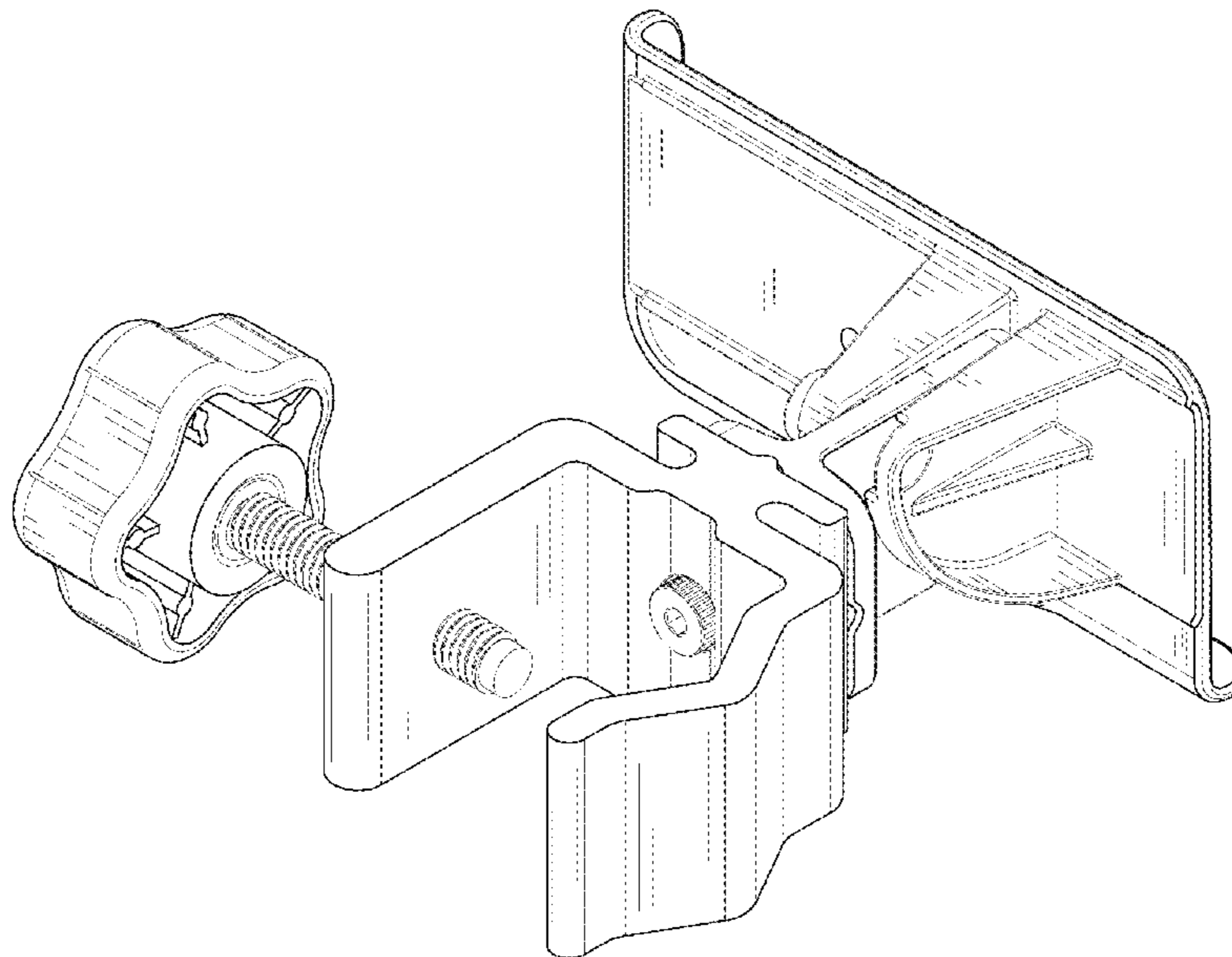
(57) **CLAIM**

The ornamental design for a medical device supporting apparatus, as shown and described.

DESCRIPTION

FIG. 1 is a rear perspective view of a medical device supporting apparatus;
FIG. 2 is a rear elevation view thereof;
FIG. 3 is a left side elevation view thereof;
FIG. 4 is a top plan view thereof;
FIG. 5 is a front elevation view thereof;
FIG. 6 is a right side elevation view thereof;
FIG. 7 is a bottom plan view thereof; and,
FIG. 8 is a rear perspective view of the medical device supporting apparatus of FIG. 1 with a mounting assembly of the apparatus shown in a rotated and tilted position.
The elements shown in phantom form no part of the claimed design.

1 Claim, 8 Drawing Sheets



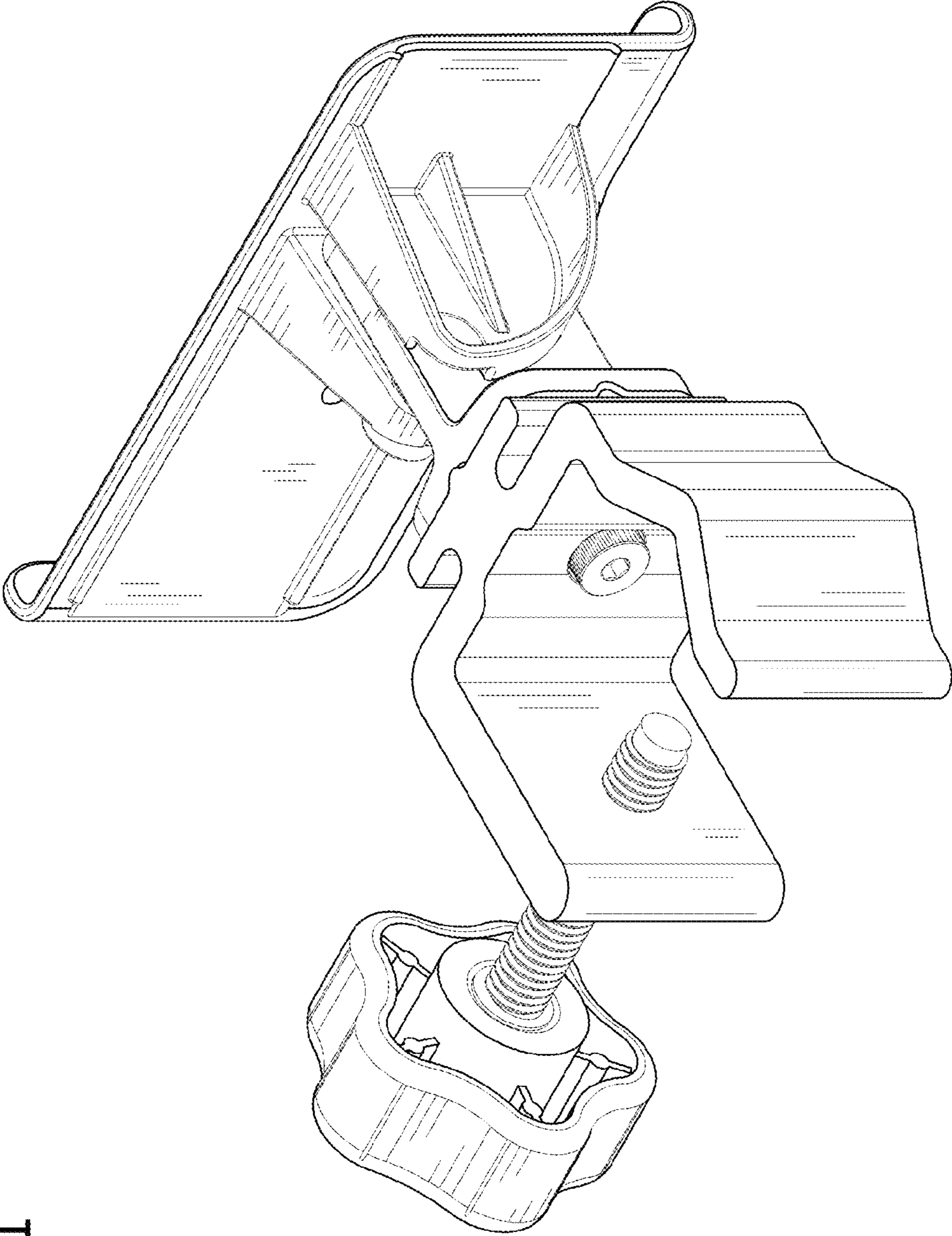


FIG. 1

FIG. 2

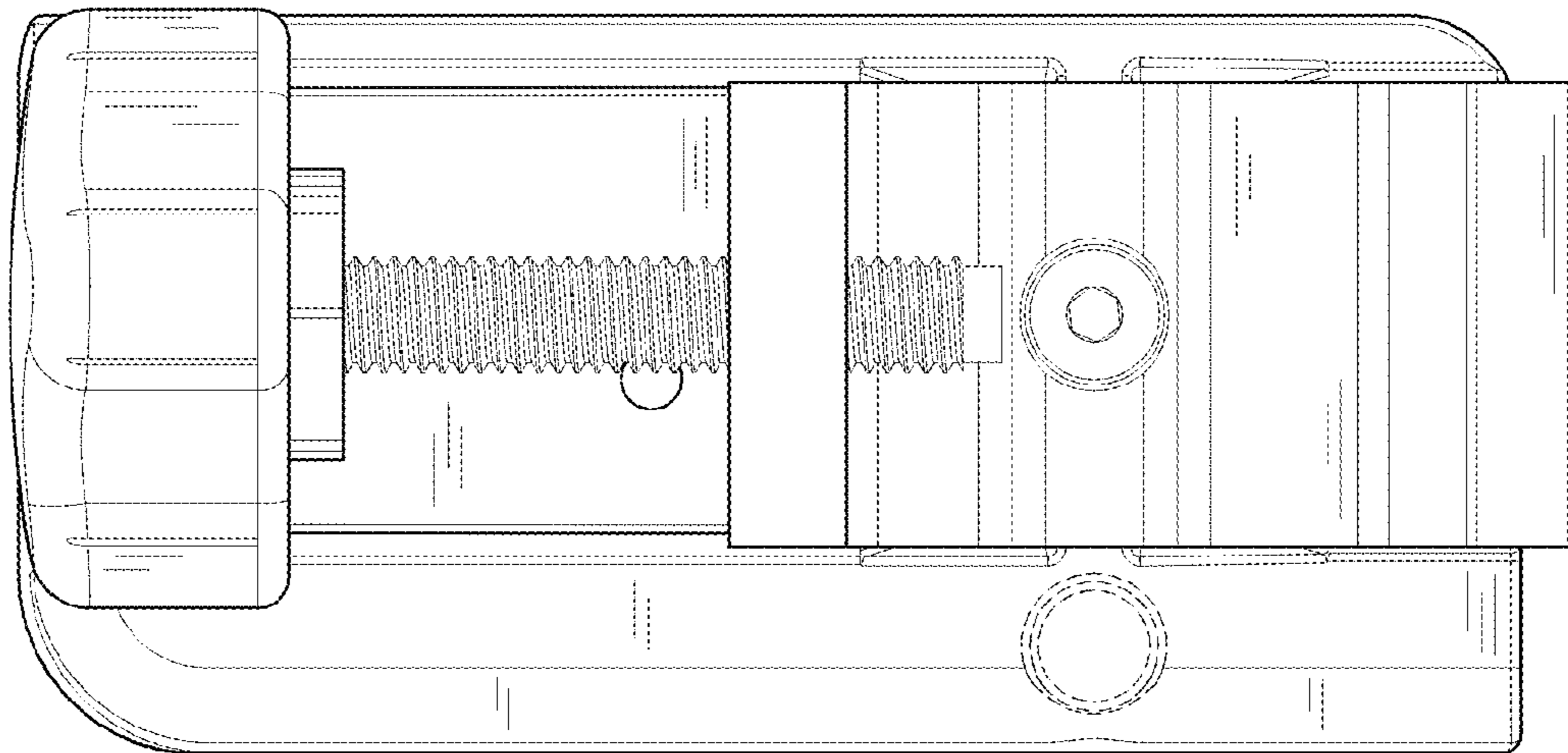


FIG. 3

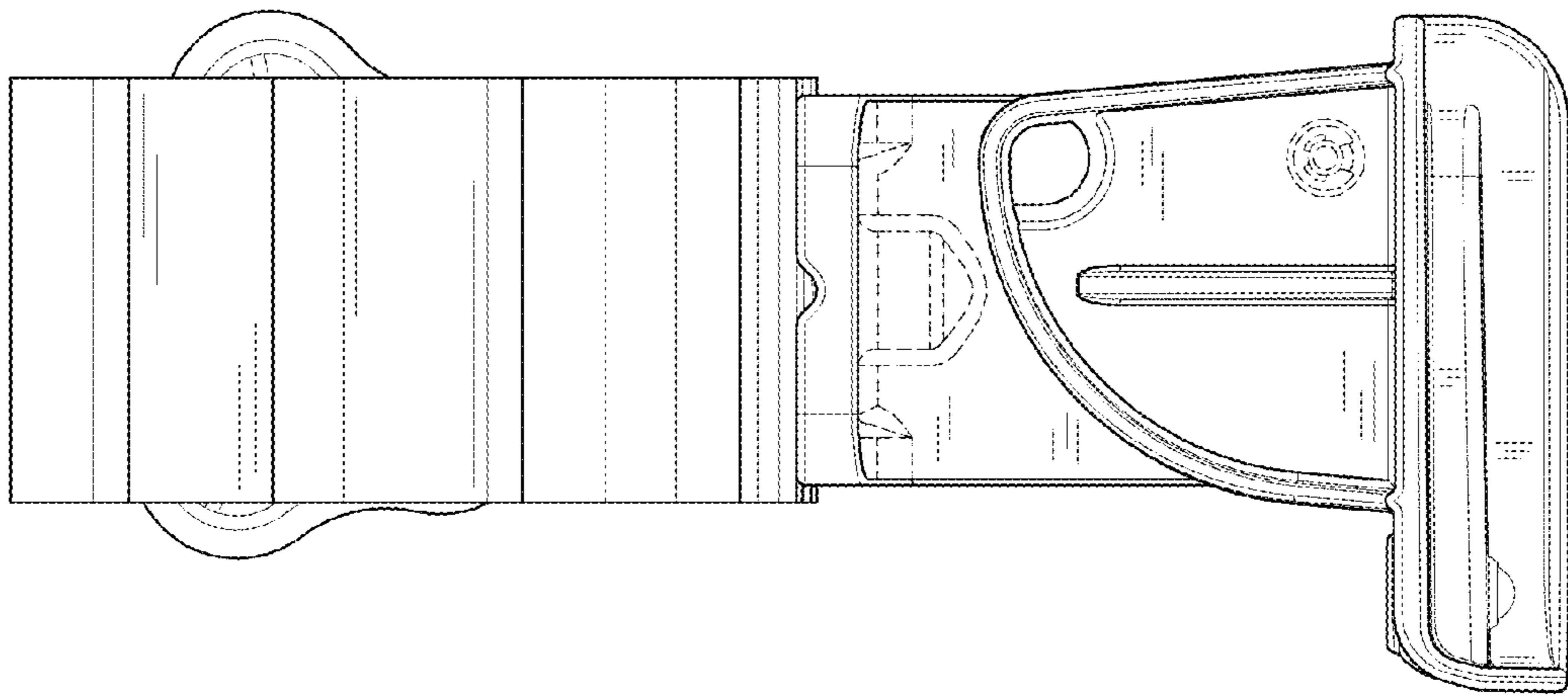


FIG. 4

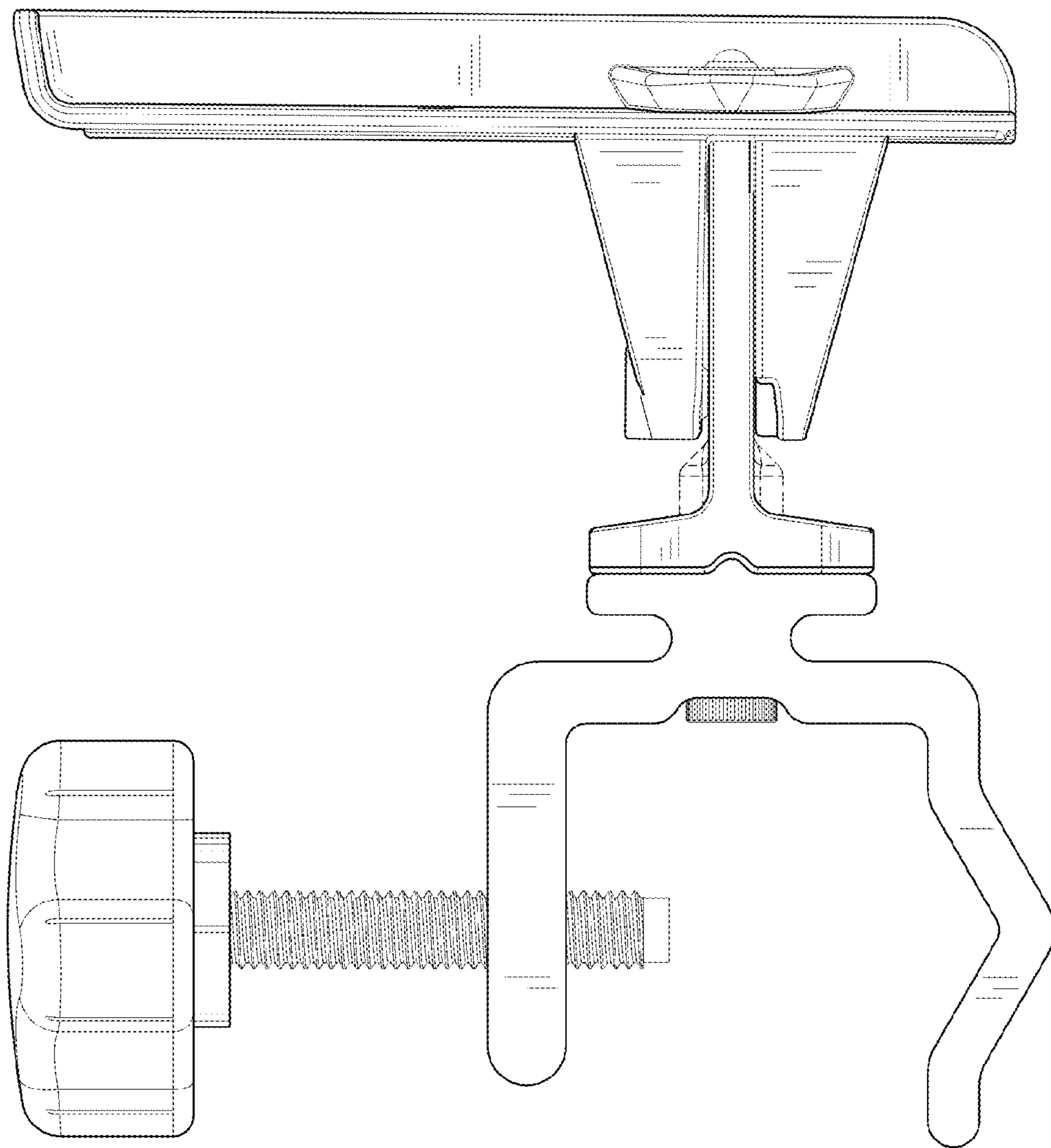


FIG. 5

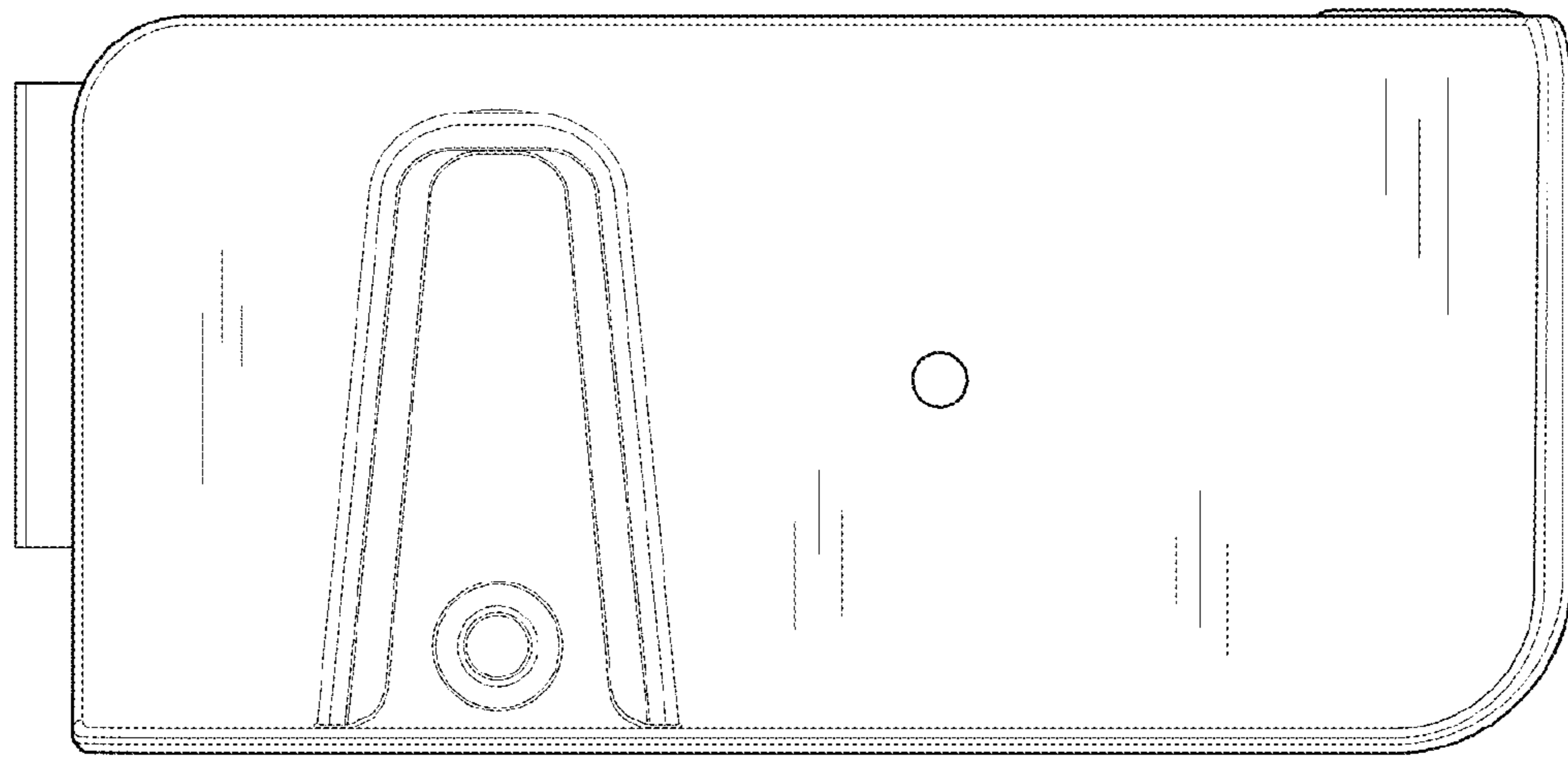


FIG. 6

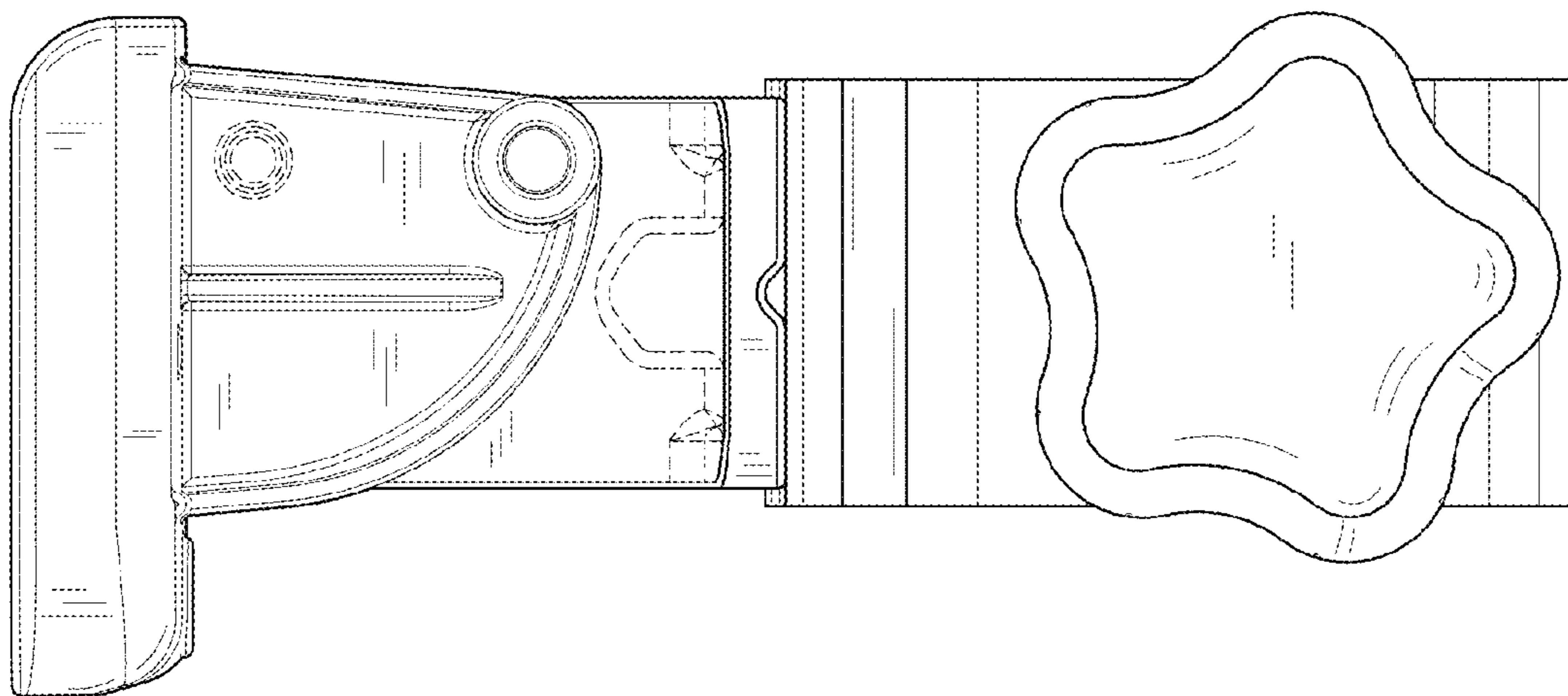
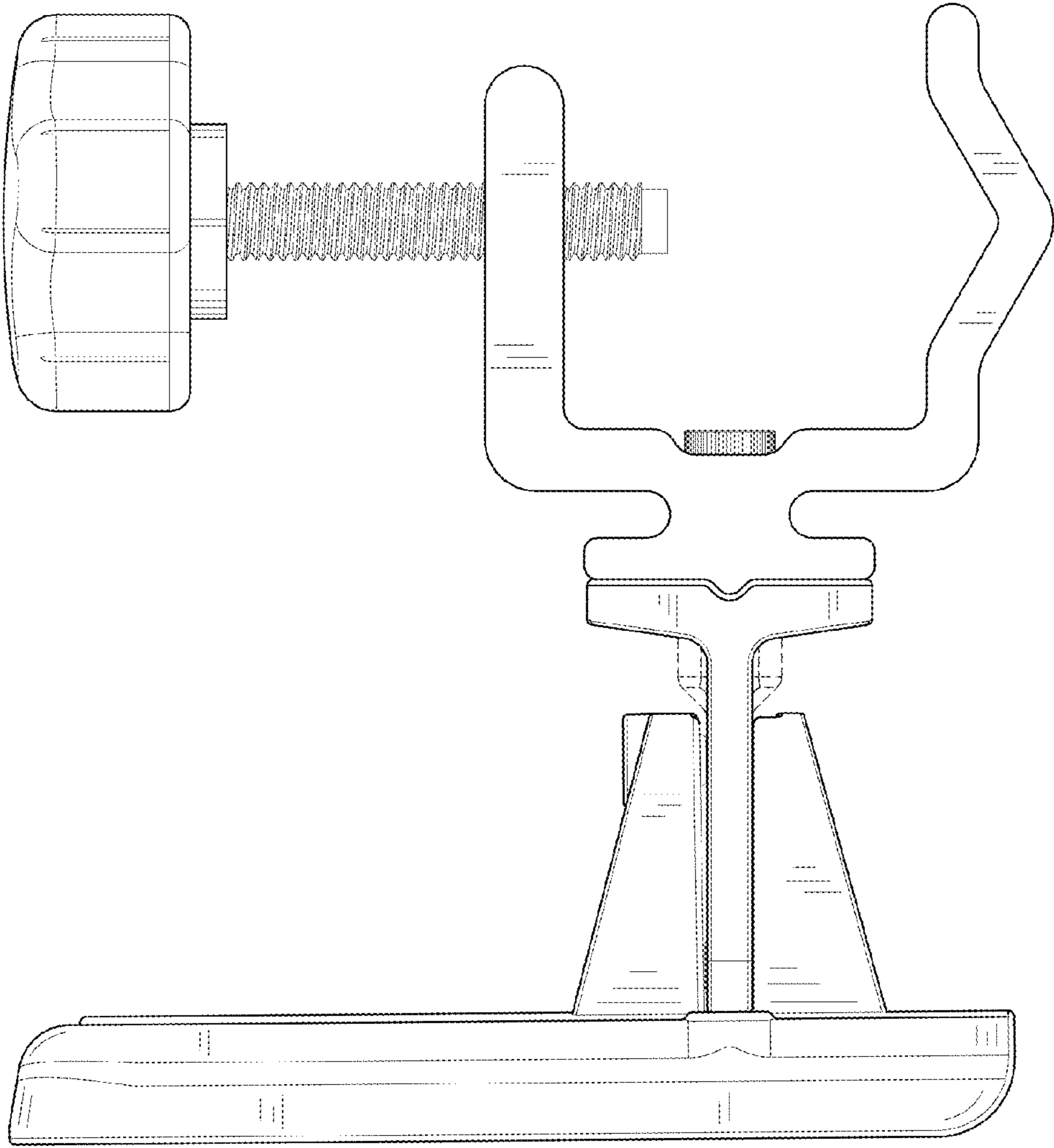


FIG. 7



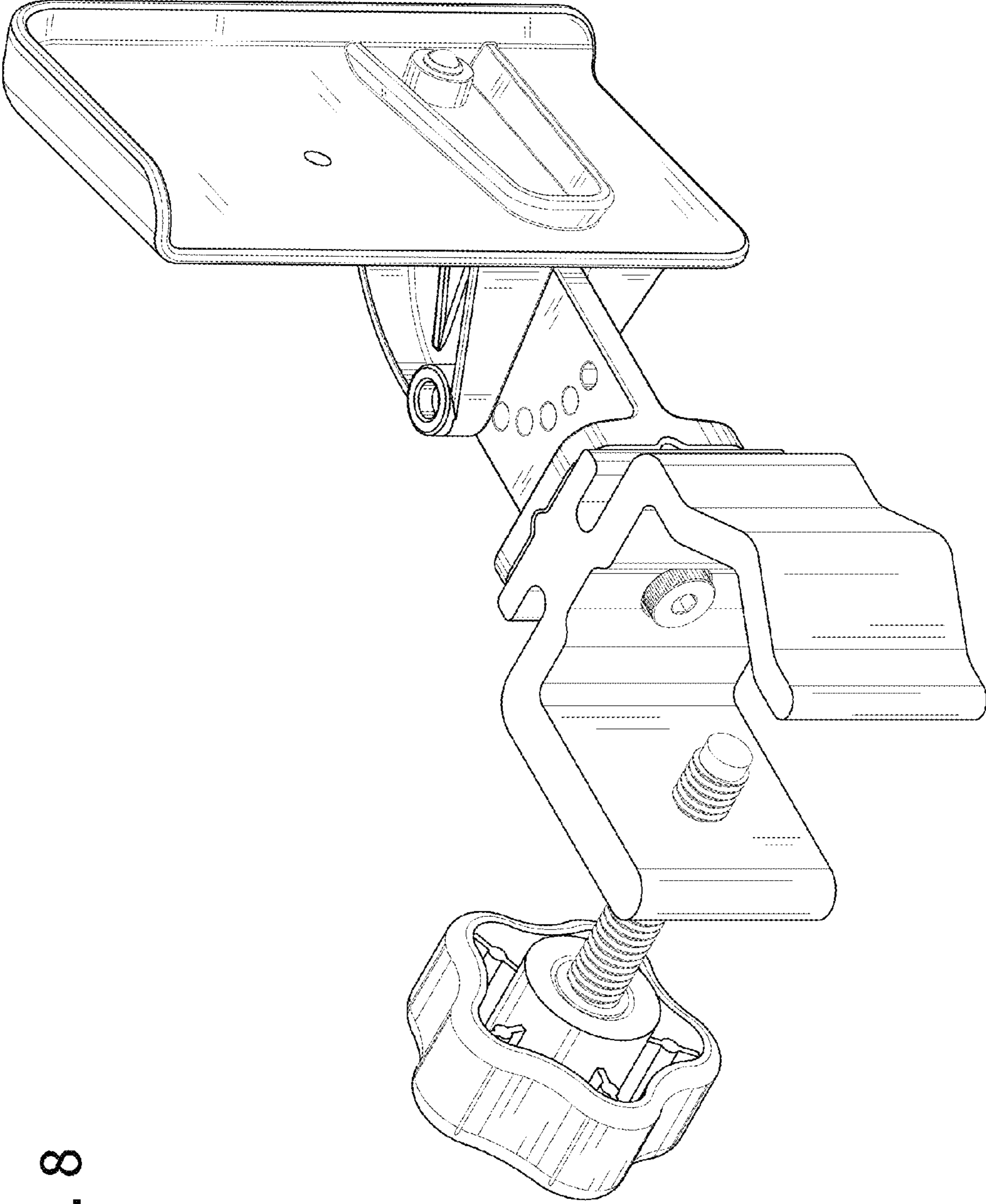


FIG. 8