

US00D762298S

(12) **United States Design Patent**
Ko

(10) **Patent No.:** **US D762,298 S**
(45) **Date of Patent:** **** Jul. 26, 2016**

- (54) **BLOOD COLLECTION DEVICE**
- (71) Applicant: **Theranos, Inc.**, Palo Alto, CA (US)
- (72) Inventor: **Pey-Jiun Ko**, Palo Alto, CA (US)
- (73) Assignee: **Theranos, Inc.**, Palo Alto, CA (US)
- (**) Term: **14 Years**
- (21) Appl. No.: **29/526,557**
- (22) Filed: **May 11, 2015**

D739,652	S	*	9/2015	Lee	D3/202
D745,662	S	*	12/2015	Chen	D24/112
D745,663	S	*	12/2015	Chen	D24/112
D746,976	S	*	1/2016	Chen	D24/112
2002/0082564	A1		6/2002	Pham		
2006/0052809	A1*		3/2006	Karbowniczek	A61B 5/1411 606/181
2012/0061286	A1		3/2012	Menezes et al.		
2013/0204162	A1		8/2013	Saeki et al.		
2015/0164398	A1*		6/2015	Ko	A61B 5/150076 600/573
2016/0015305	A1*		1/2016	Gelfand	A61B 5/15117 606/182

Related U.S. Application Data

- (63) Continuation-in-part of application No. 29/466,709, filed on Sep. 10, 2013, now Pat. No. Des. 729,379.
- (51) **LOC (10) Cl.** **24-01**
- (52) **U.S. Cl.**
USPC **D24/108**
- (58) **Field of Classification Search**
USPC D24/110, 108, 114, 117, 110.5, 113,
D24/115; 604/540, 149, 19, 27; 600/583
CPC A61B 5/150022; A61B 5/150412;
A61B 5/15113; A61B 5/15142; A61B
5/150618; A61B 5/151; A61B 5/150259;
A61B 5/15128; A61B 5/15105; A61B
5/150511
See application file for complete search history.

(56) **References Cited**

U.S. PATENT DOCUMENTS

2,845,065	A	7/1958	Gabriel
3,299,891	A	1/1967	Smeton
D447,049	S	8/2001	Vandervort et al.
6,730,046	B1	5/2004	Hamamoto et al.
D506,578	S	6/2005	Cole
D526,904	S	8/2006	Hillock
D667,324	S	9/2012	Docter et al.
D670,772	S	11/2012	Lo et al.
D729,379	S	5/2015	Ko
9,066,688	B2*	6/2015	Karbowniczek A61B 5/1411

OTHER PUBLICATIONS

Office Action dated Feb. 11, 2015 for U.S. Appl. No. 29/466,709.

* cited by examiner

Primary Examiner — Barbara Fox
Assistant Examiner — Lilyana Bekic

(57) **CLAIM**

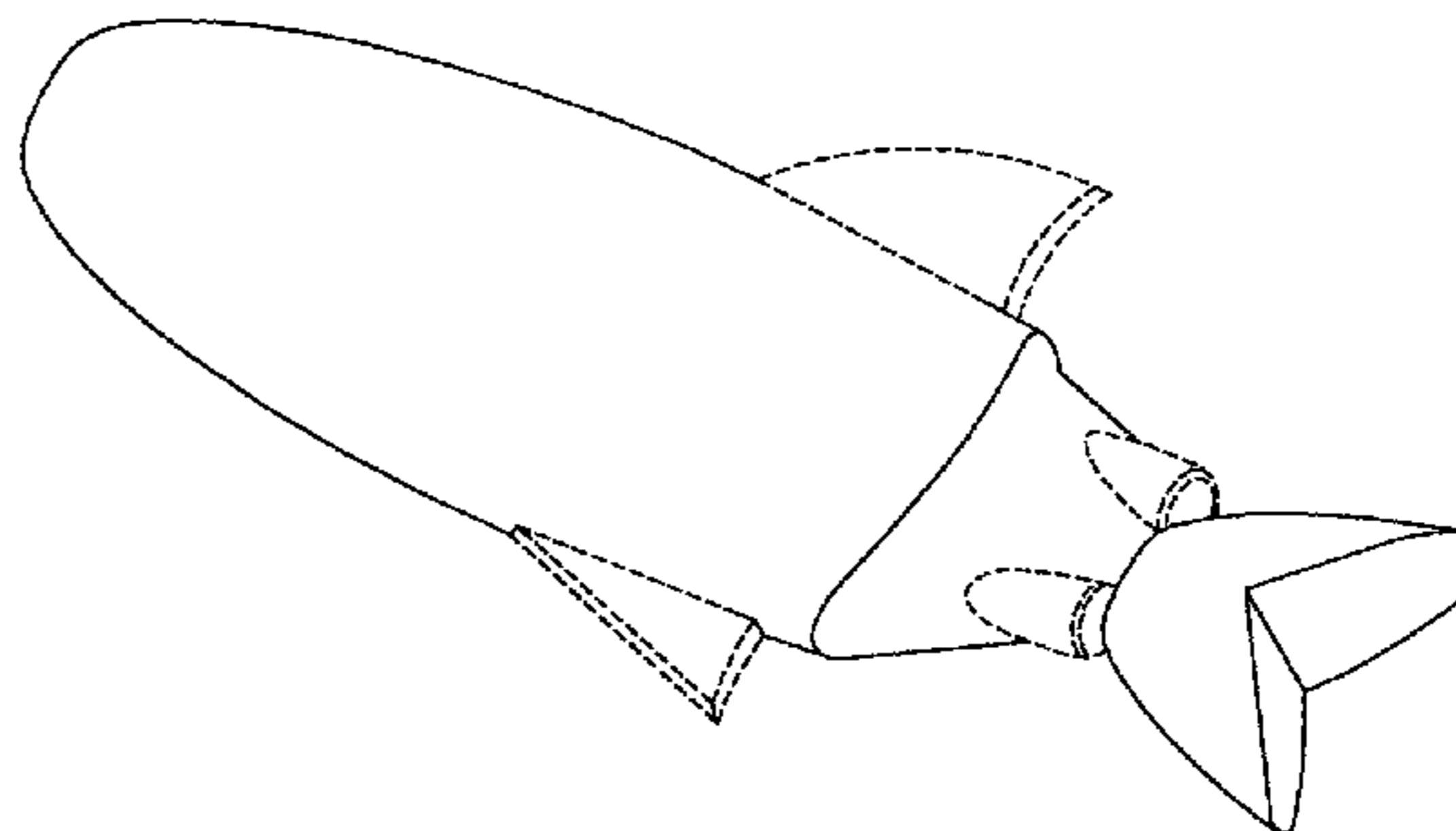
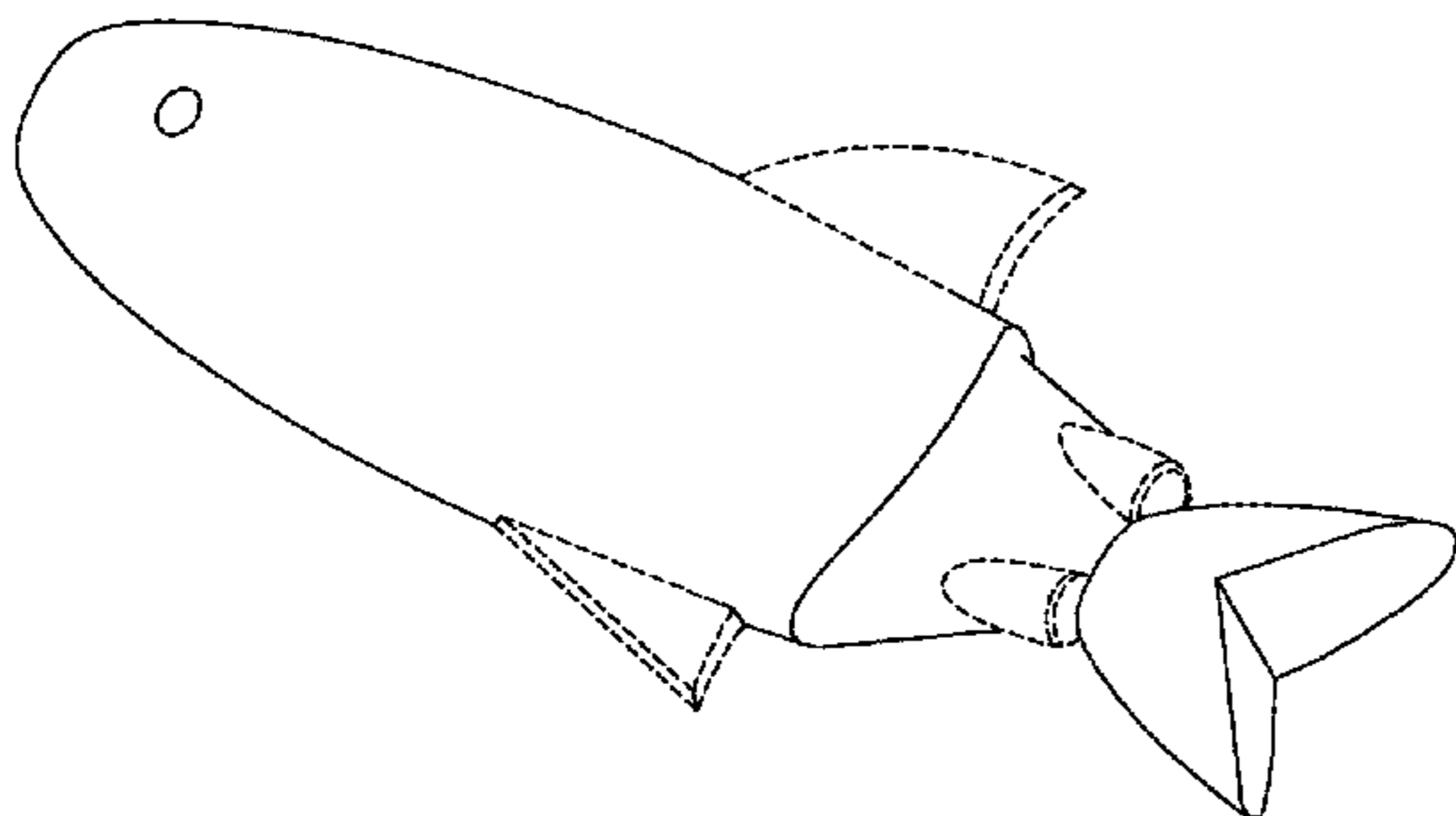
The ornamental design for a blood collection device, as shown and described.

DESCRIPTION

FIG. 1 is a perspective view of a first embodiment of a blood collection device, showing our new design;
 FIG. 2 is a side view thereof;
 FIG. 3 is another side view thereof;
 FIG. 4 is a front view thereof; and
 FIG. 5 is a rear view thereof; and
 FIG. 6 is a perspective view of second embodiment of a blood collection device, showing our new design;
 FIG. 7 is a side view thereof;
 FIG. 8 is another side view thereof;
 FIG. 9 is a front view thereof; and,
 FIG. 10 is a rear view thereof.

The broken lines in the drawings illustrate portions of the blood collection device which form no part of the claimed design.

1 Claim, 4 Drawing Sheets



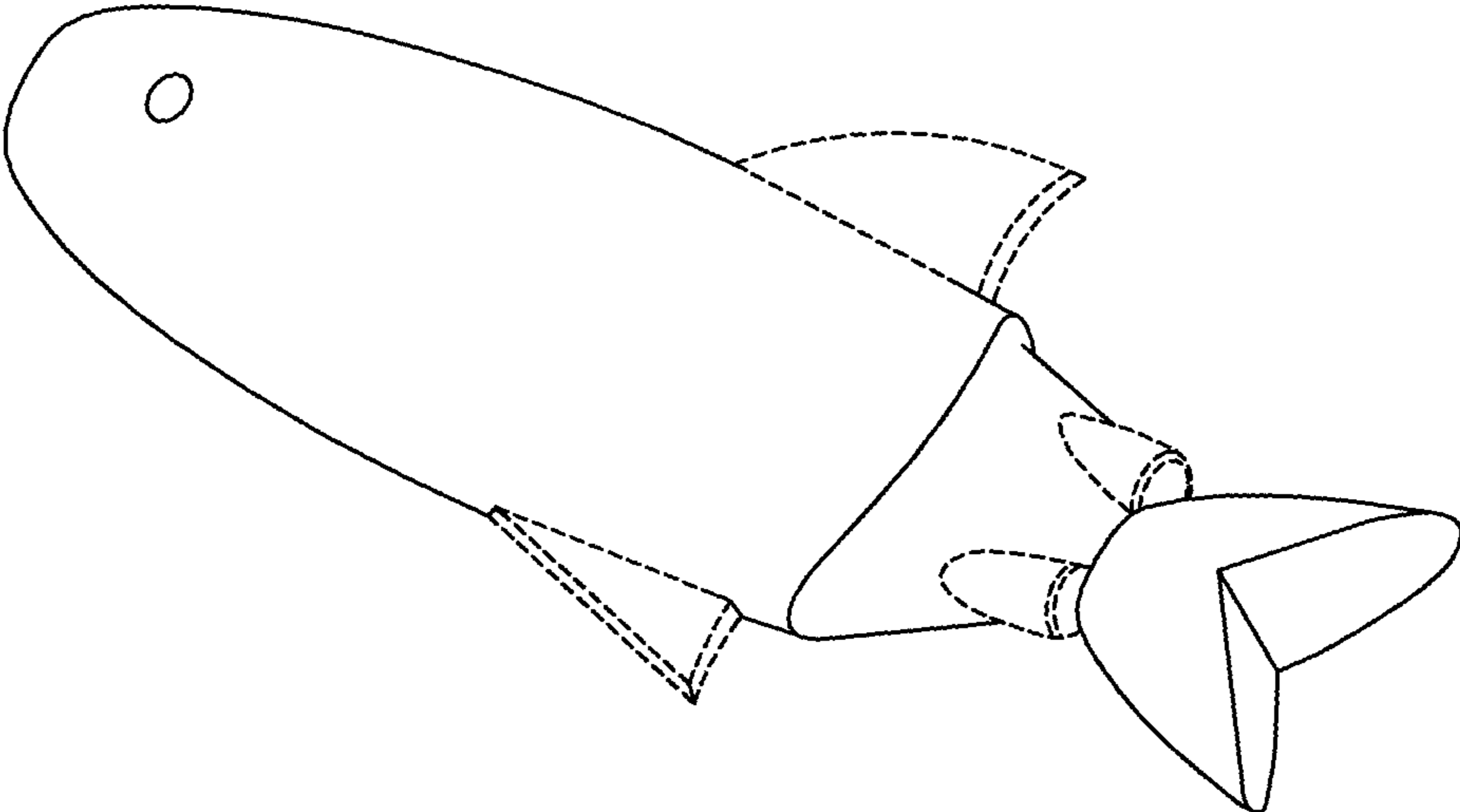


FIG. 1

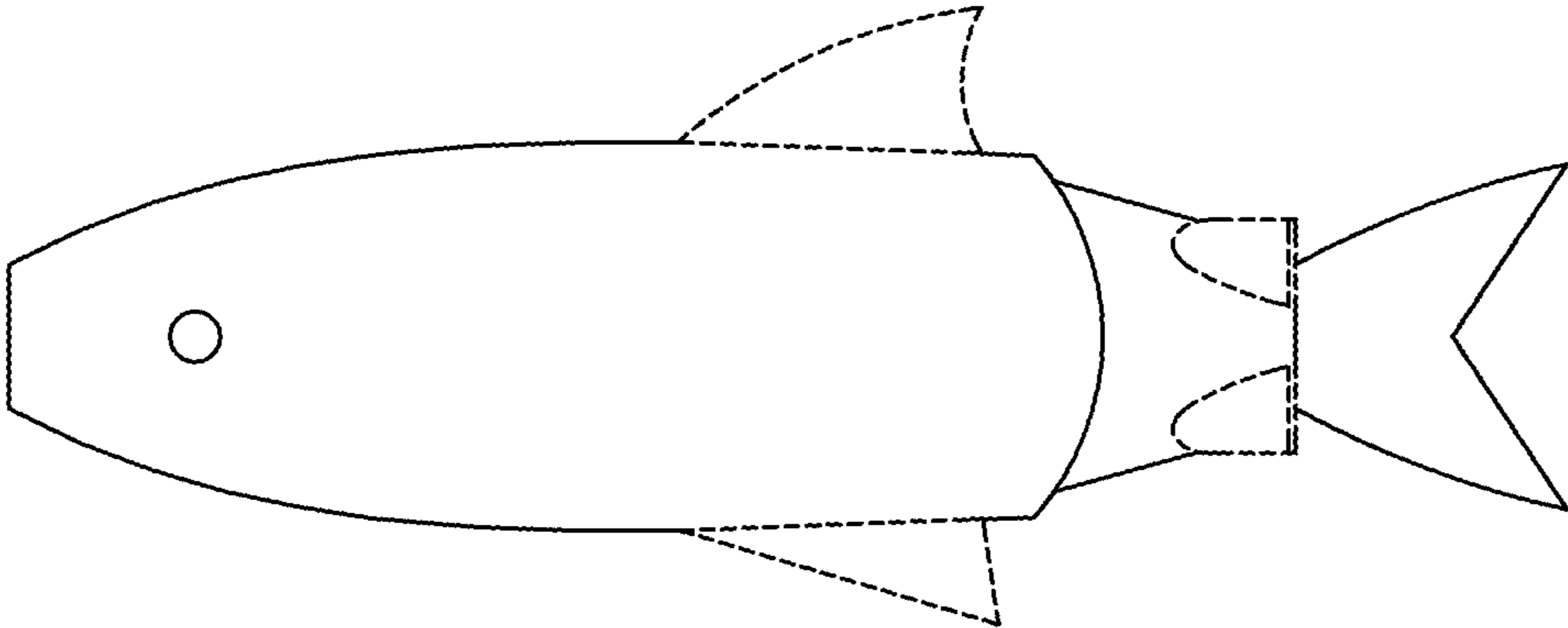


FIG. 2

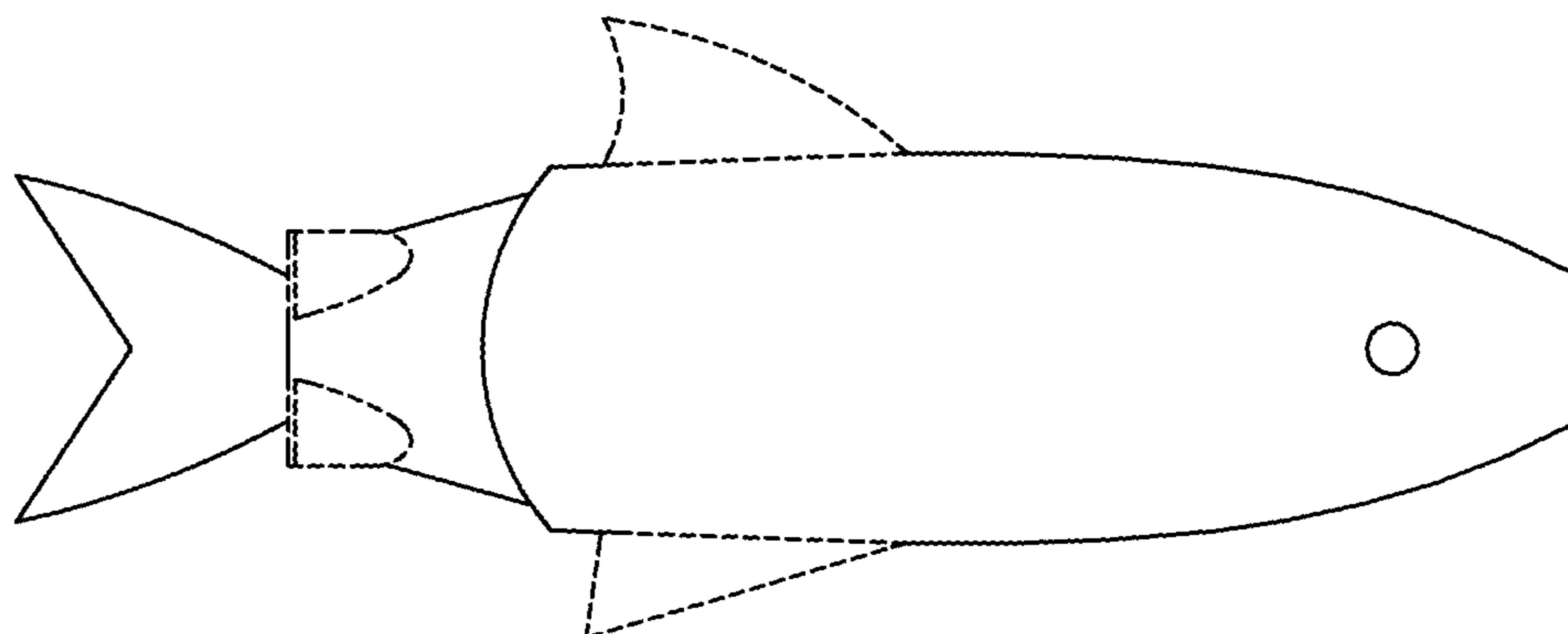


FIG. 3

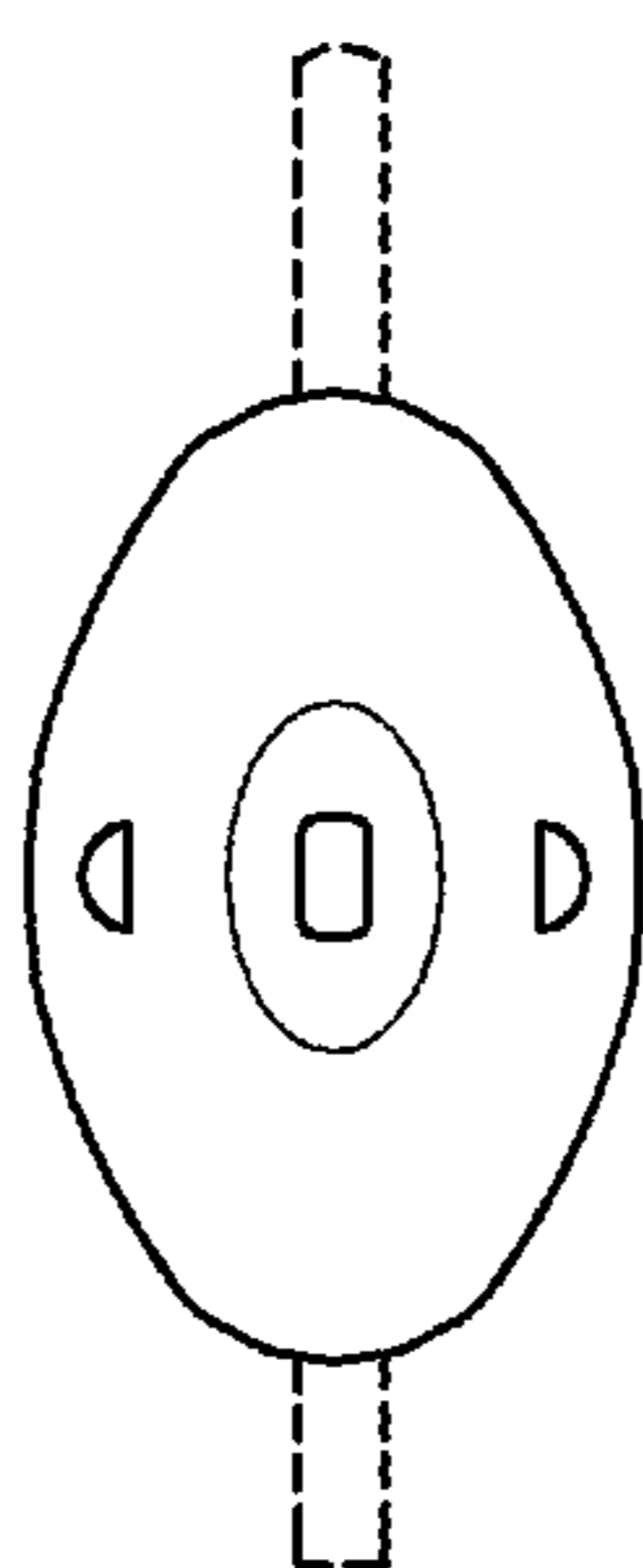


FIG. 4

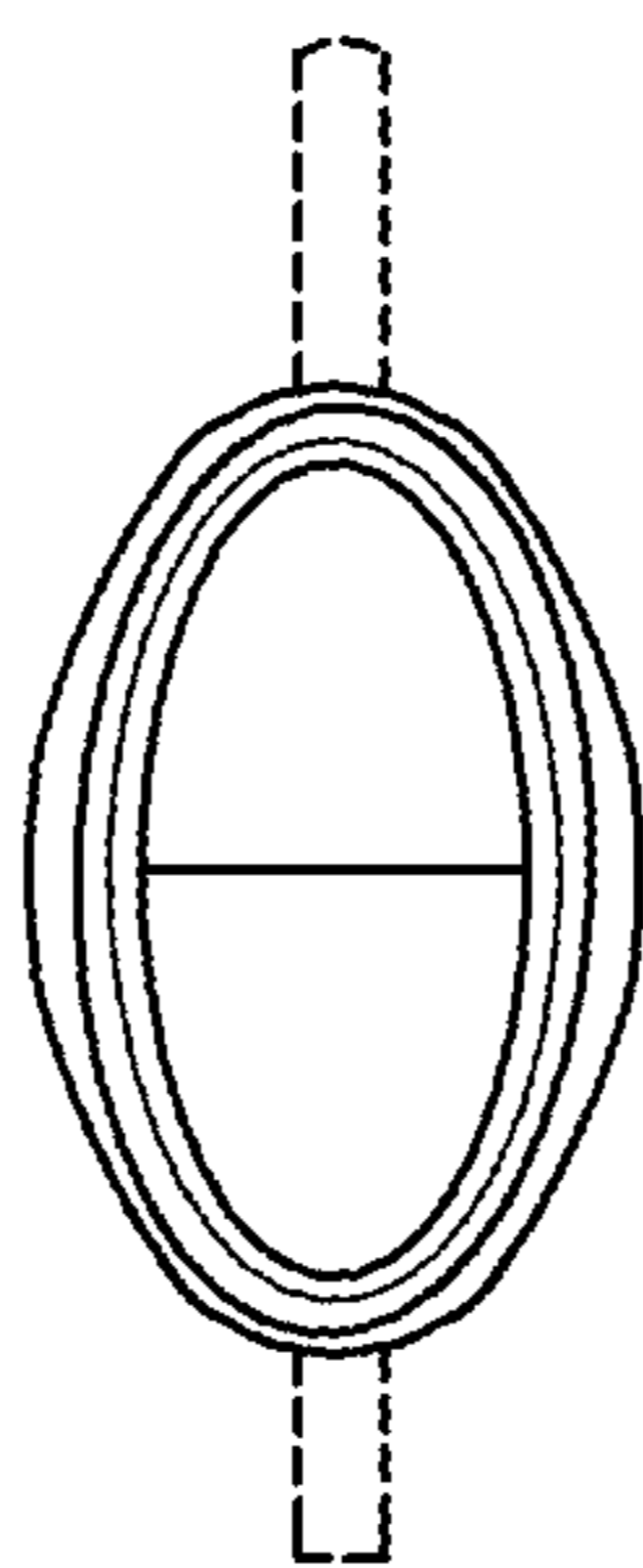


FIG. 5

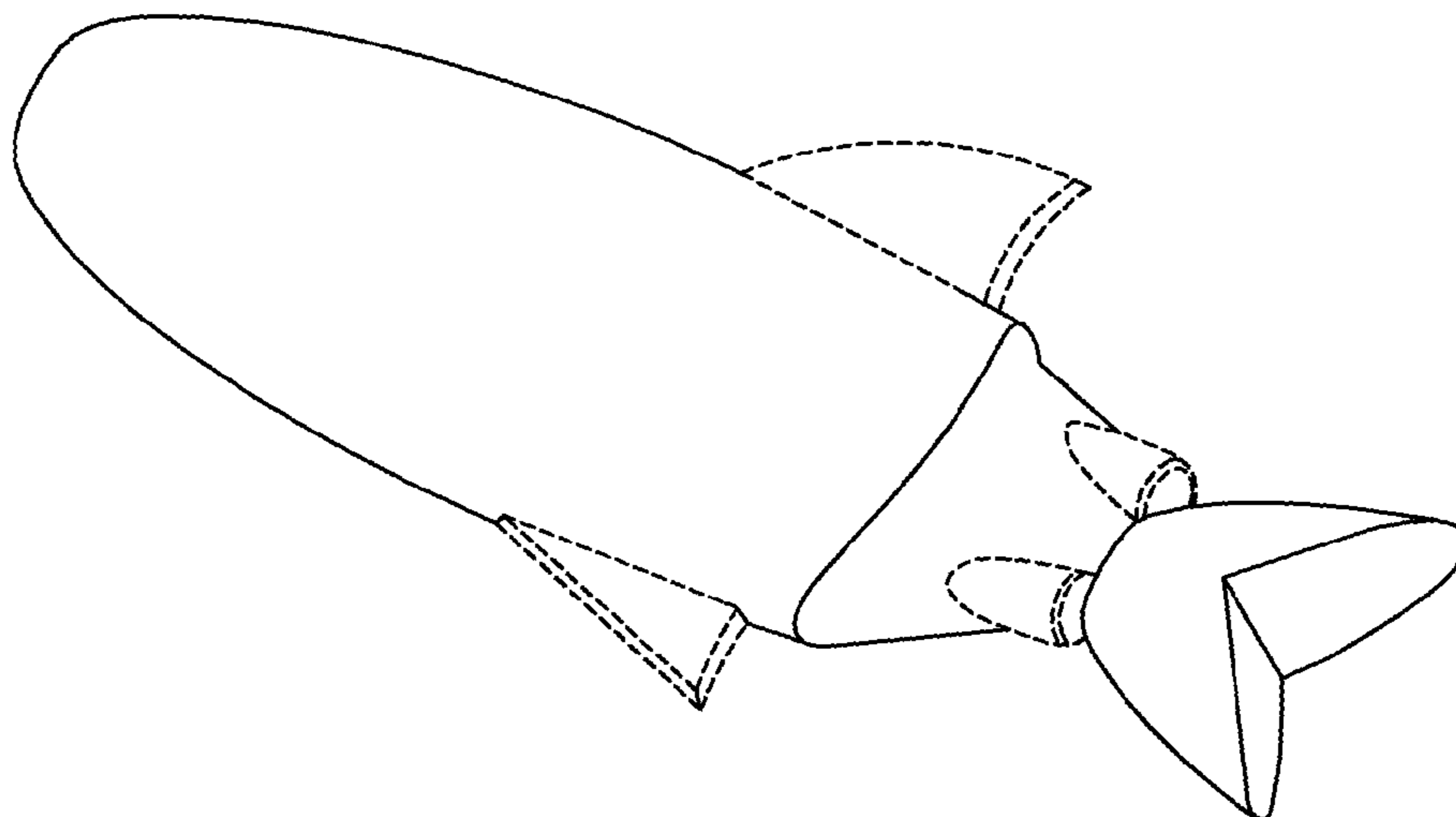


FIG. 6

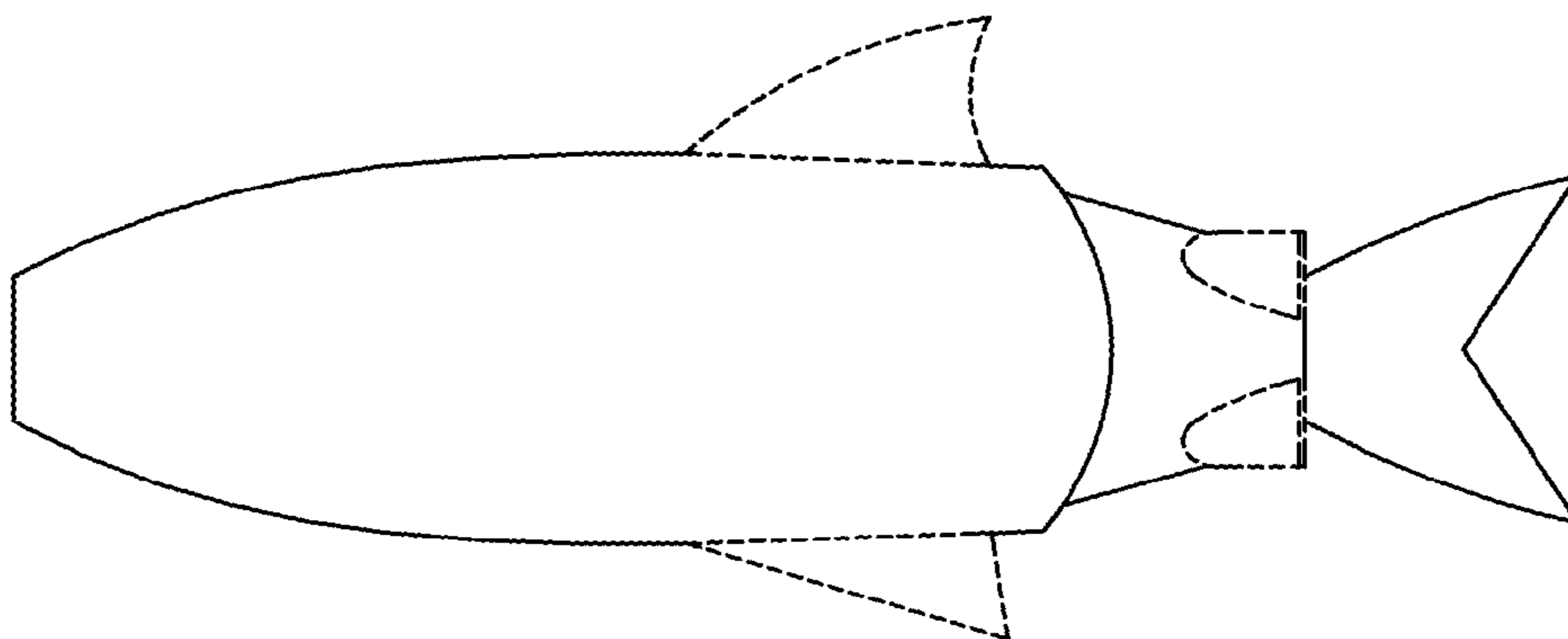


FIG. 7

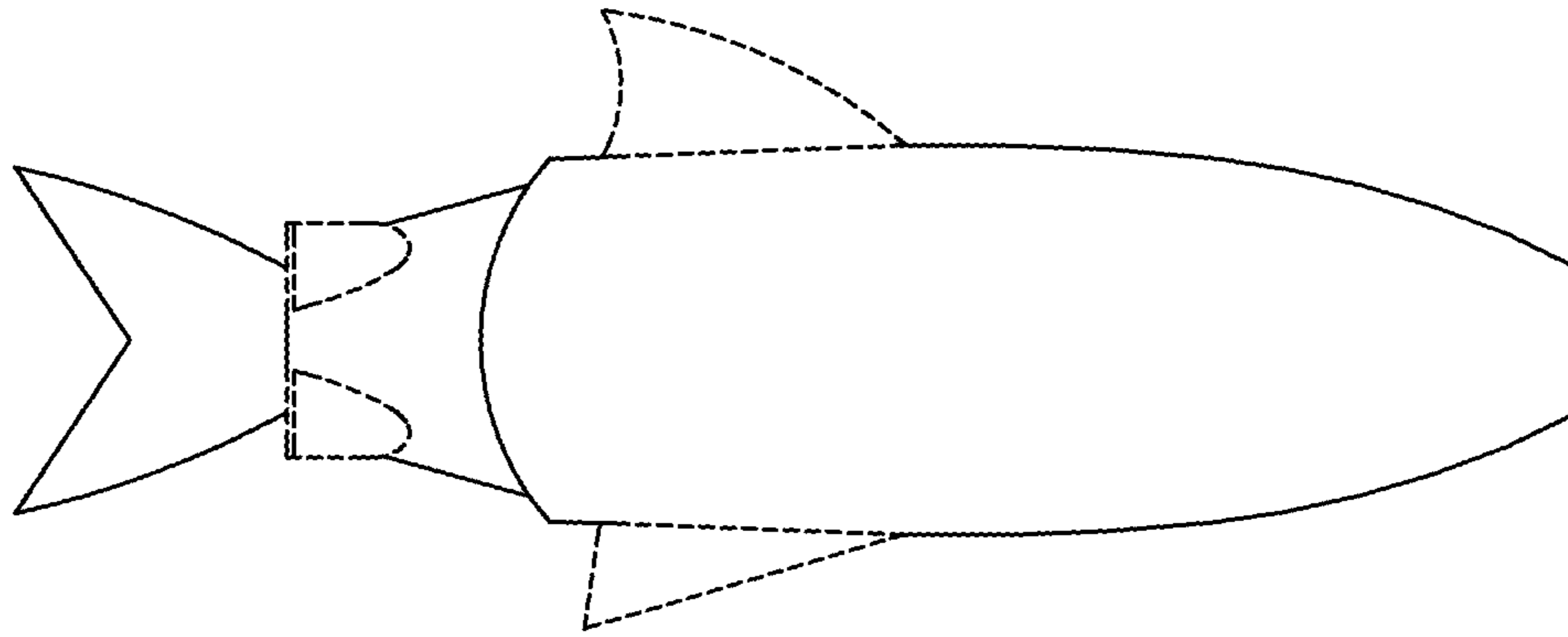


FIG. 8

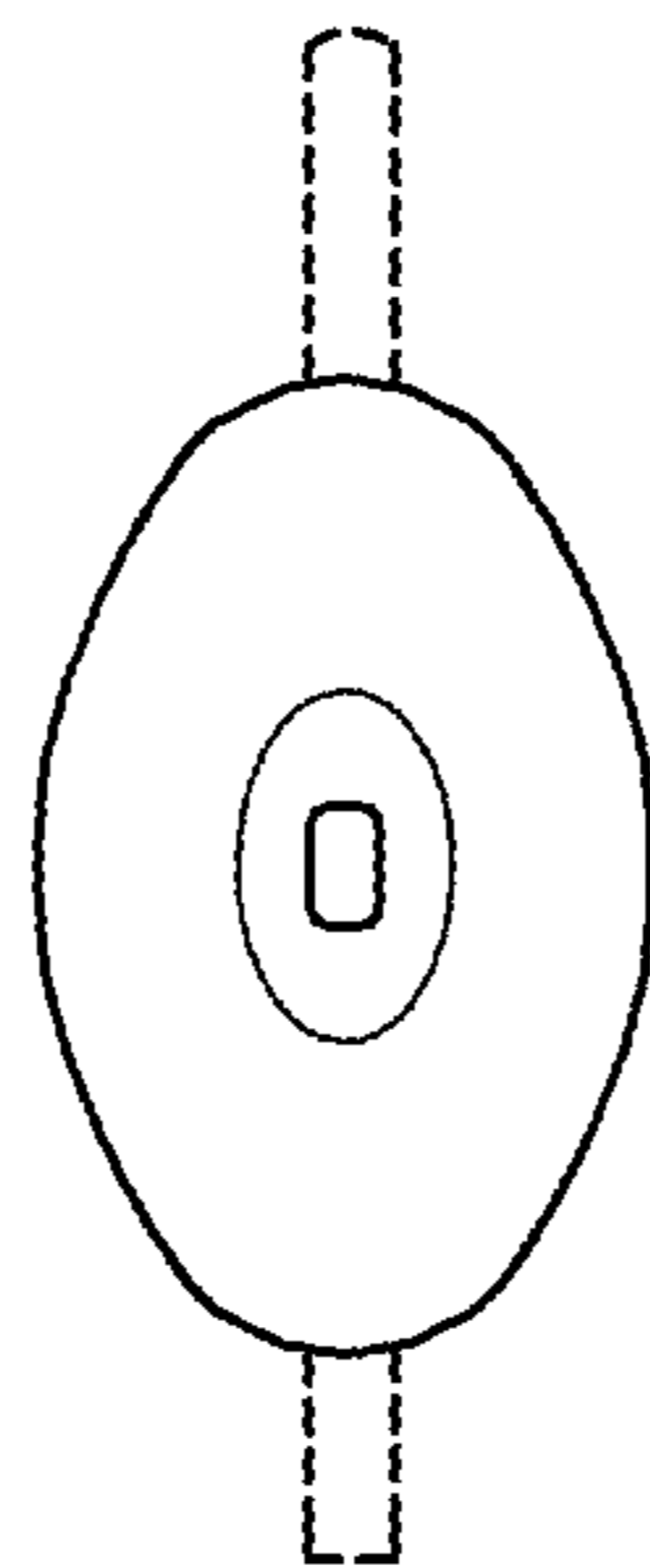


FIG. 9

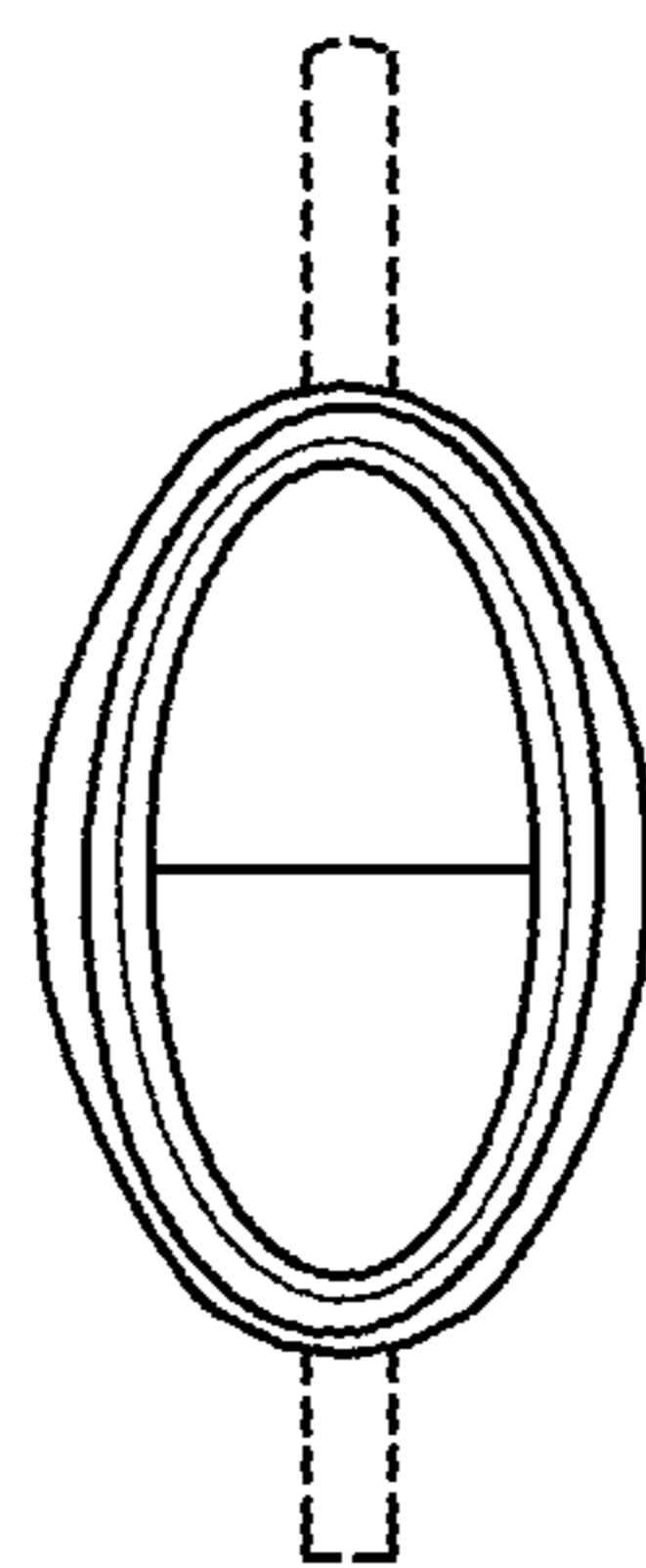


FIG. 10