



US00D762295S

(12) **United States Design Patent**
D'Amico

(10) **Patent No.:** **US D762,295 S**
(45) **Date of Patent:** **** Jul. 26, 2016**

(54) **AIR FILTER FRESHENER**

(71) Applicant: **Scent2Market Inc.**, Yonkers, NY (US)

(72) Inventor: **Daniel M. D'Amico**, South Salem, NY (US)

(73) Assignee: **Scent2Market Inc.**, Yonkers, NY (US)

(**) Term: **15 Years**

(21) Appl. No.: **29/537,029**

(22) Filed: **Aug. 21, 2015**

(51) **LOC (10) Cl.** **28-99**

(52) **U.S. Cl.**
USPC **D23/368**

(58) **Field of Classification Search**
USPC D23/355-369; D28/5, 6; 261/DIG. 17,
261/DIG. 42, DIG. 47, DIG. 55, DIG. 65,
261/DIG. 70, DIG. 88, DIG. 89; 392/386,
392/389, 394, 395, 403; 239/34, 44, 45, 53,
239/56
CPC A61L 9/02; A61L 9/03; A61L 9/034;
A61L 9/04; A61L 9/12; A61L 9/032; A61L
9/122; A61L 9/127; A61L 9/22
See application file for complete search history.

(56) **References Cited**

U.S. PATENT DOCUMENTS

D246,110 S	*	10/1977	Hadtke	D23/366
D721,428 S	*	1/2015	Donovan	D23/368
D752,198 S	*	3/2016	Zach	D23/208
D752,733 S	*	3/2016	Zach	D23/208

* cited by examiner

Primary Examiner — Sandra Snapp

(74) *Attorney, Agent, or Firm* — Buchanan Ingersoll & Rooney PC

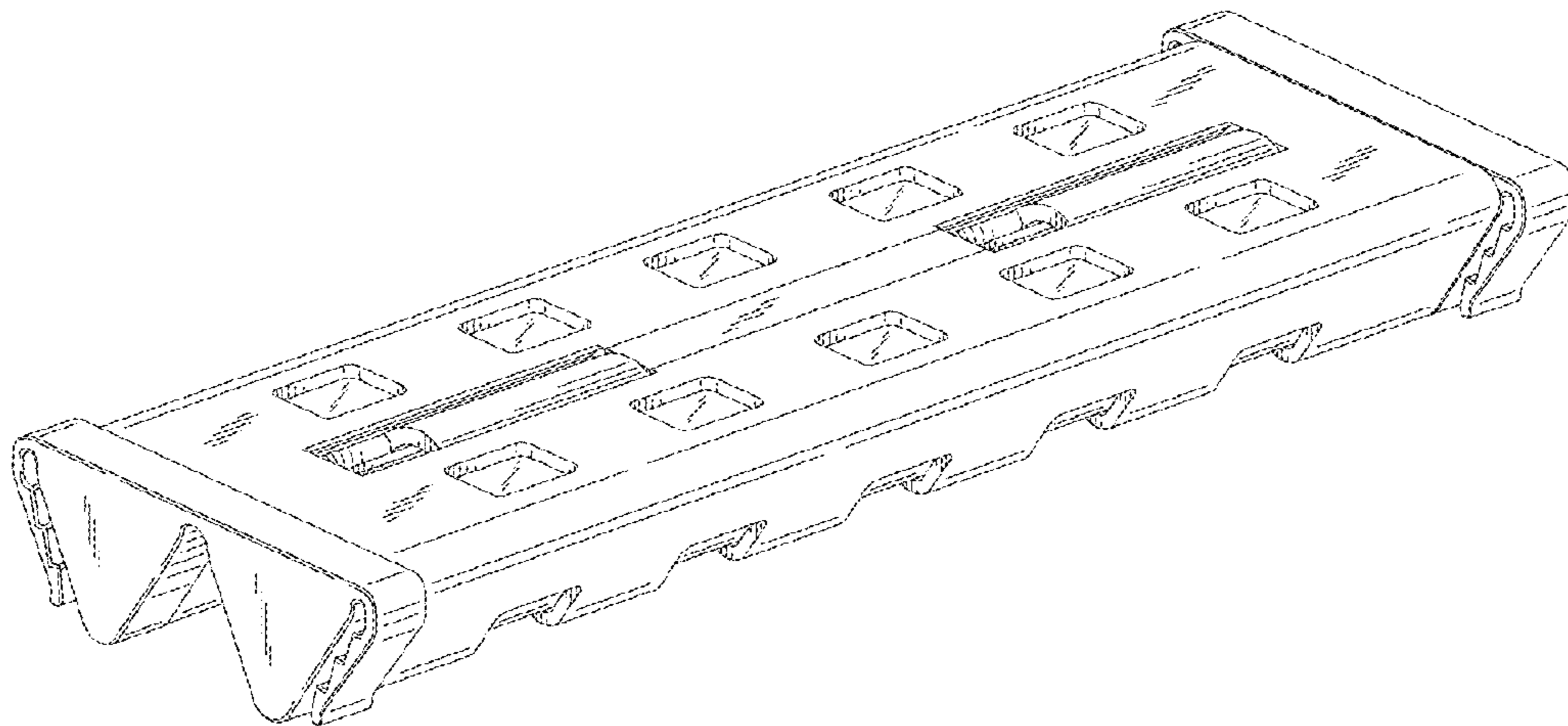
(57) **CLAIM**

The ornamental design for an air filter freshener, as shown and described.

DESCRIPTION

FIG. 1 is a perspective view of a single-stage embodiment of an air filter freshener;
FIG. 2 is an enlarged front view of the single-stage air filter freshener, wherein an enlarged rear view is a mirror image of the enlarged front view;
FIG. 3 is a left side view of the single-stage air filter freshener, wherein a right side view is a mirror image of the left side view;
FIG. 4 is a top view of the single-stage air filter freshener;
FIG. 5 is a bottom view of the single-stage air filter freshener;
FIG. 6 is a perspective view of a multi-stage embodiment of an air filter freshener;
FIG. 7 is an enlarged front view of the multi-stage air filter freshener, wherein an enlarged rear view is a mirror image of the enlarged front view;
FIG. 8 is a left side view of the multi-stage air filter freshener, wherein a right side view is a mirror image of the left side view;
FIG. 9 is a top view of the multi-stage air filter freshener; and,
FIG. 10 is a bottom view of the multi-stage air filter freshener.

1 Claim, 6 Drawing Sheets



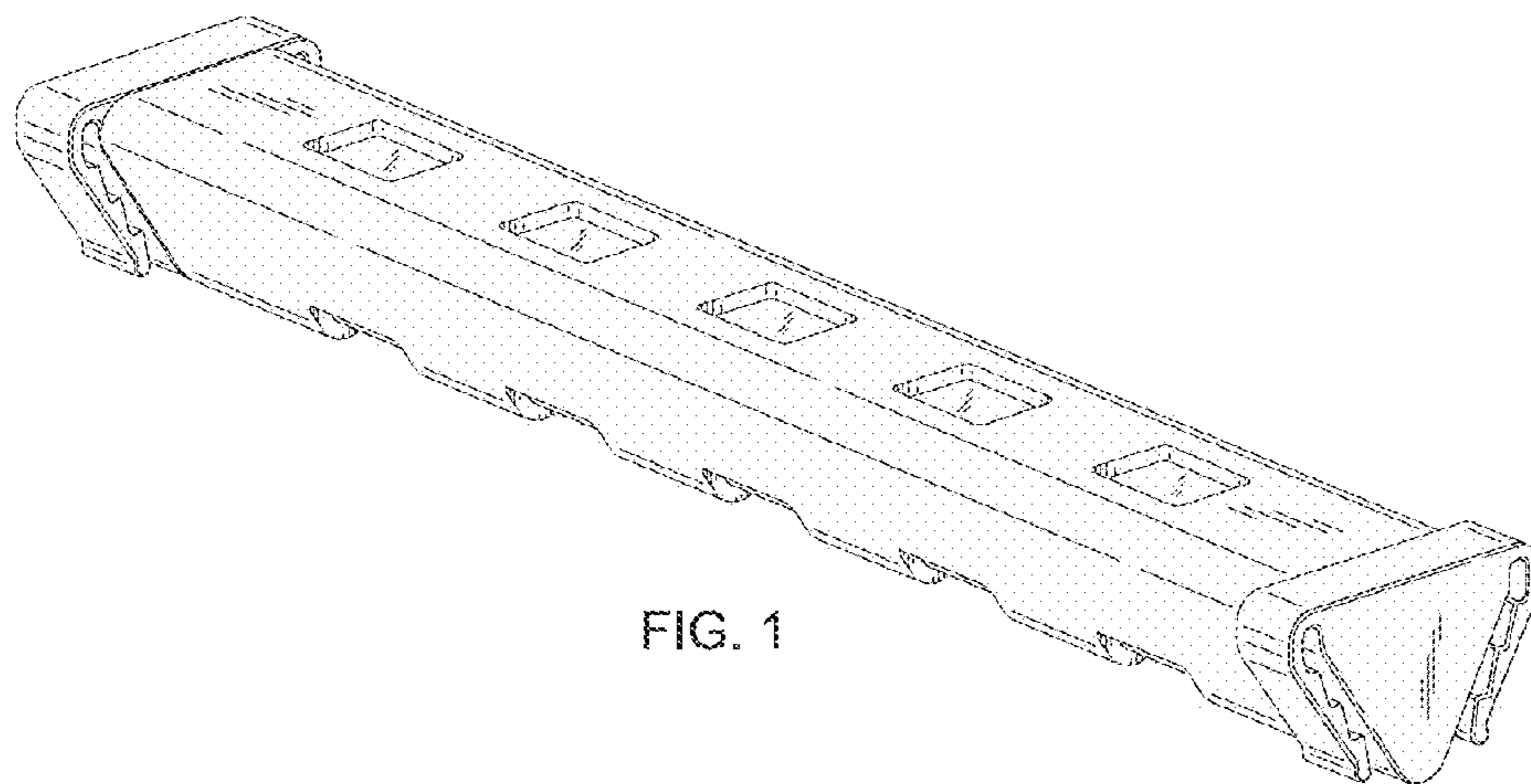


FIG. 1

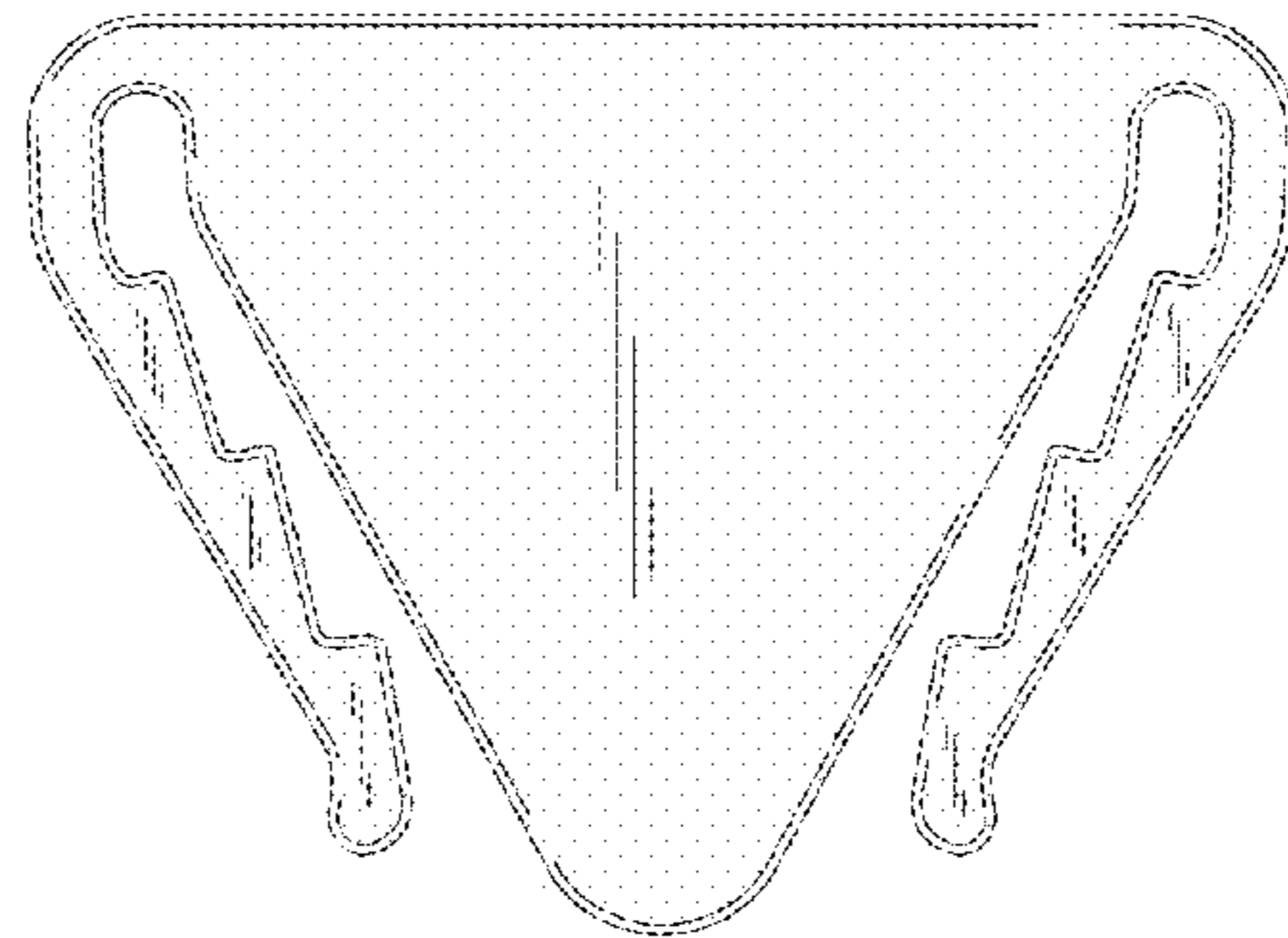


FIG. 2

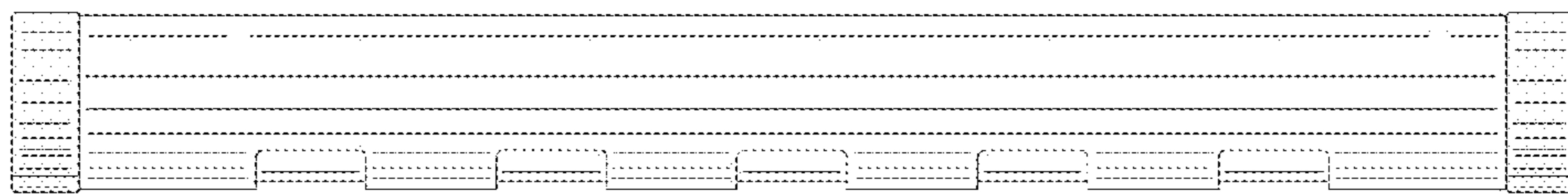


FIG. 3

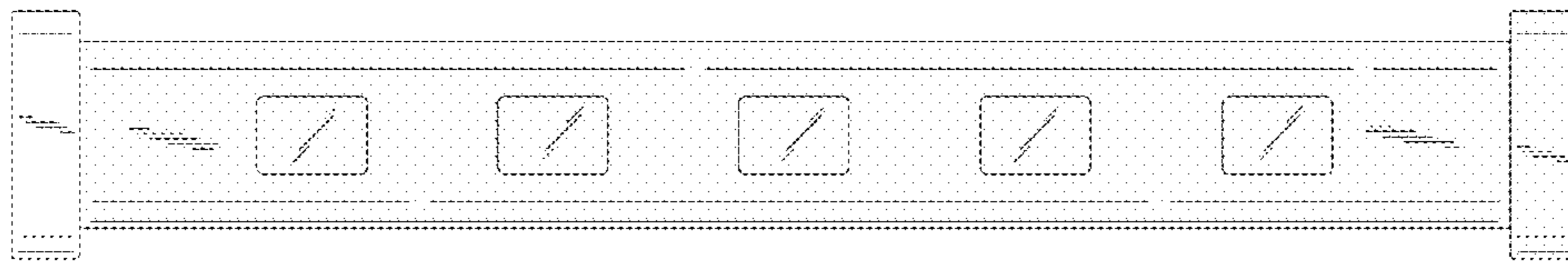


FIG. 4

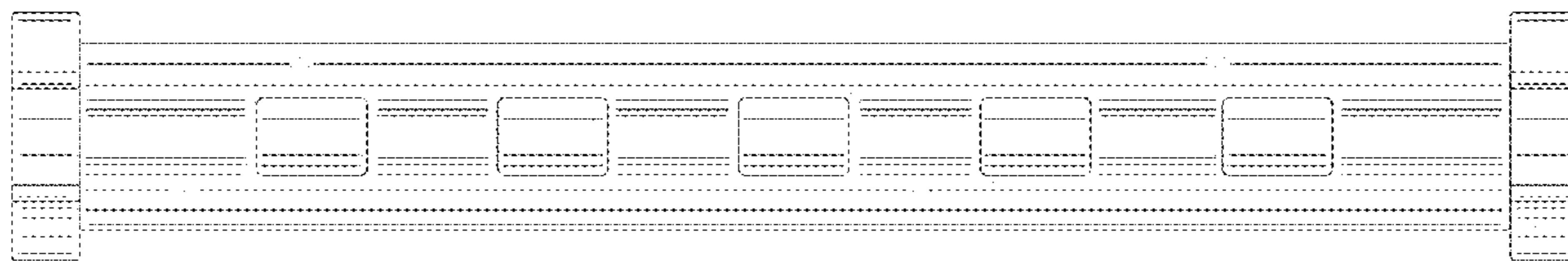


FIG. 5

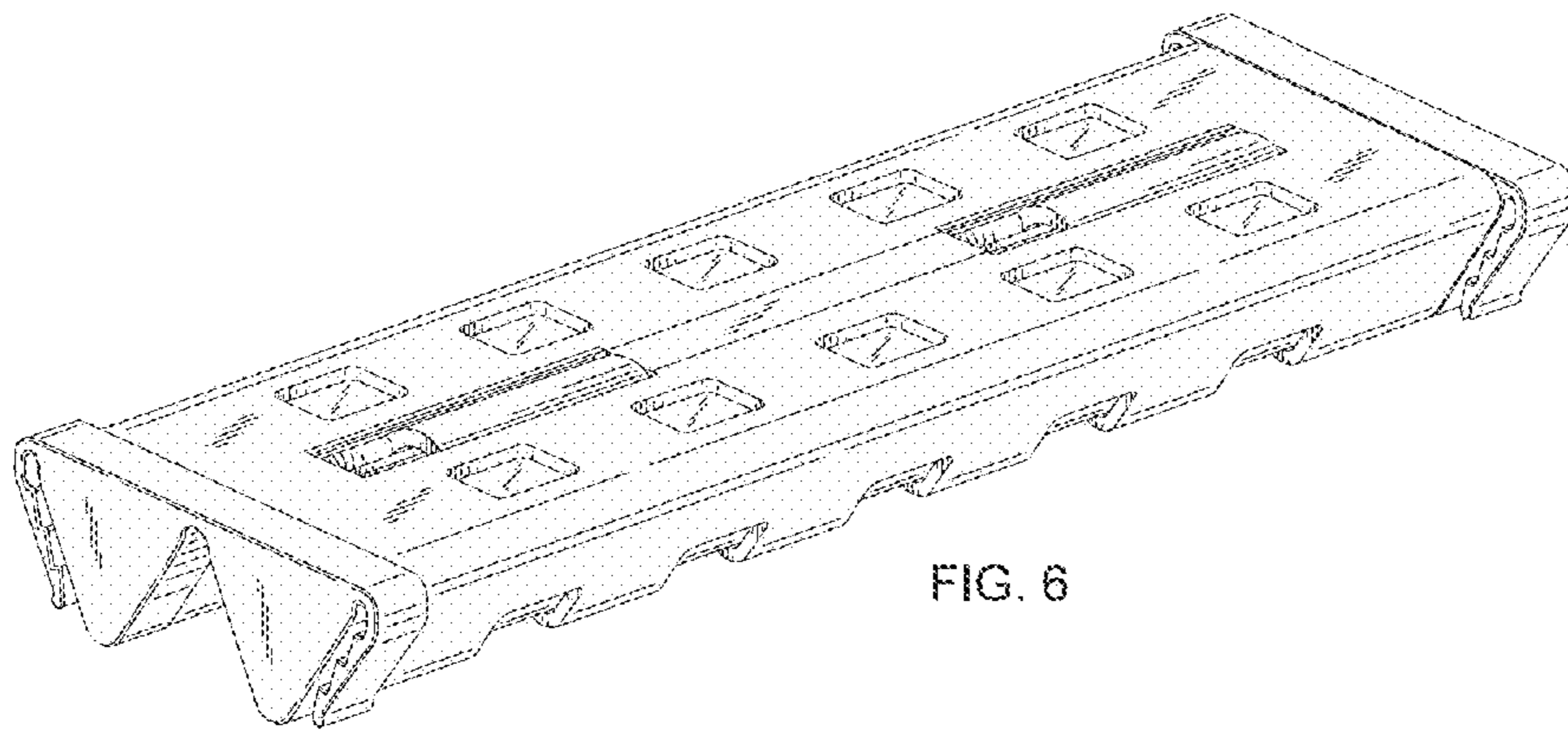


FIG. 6

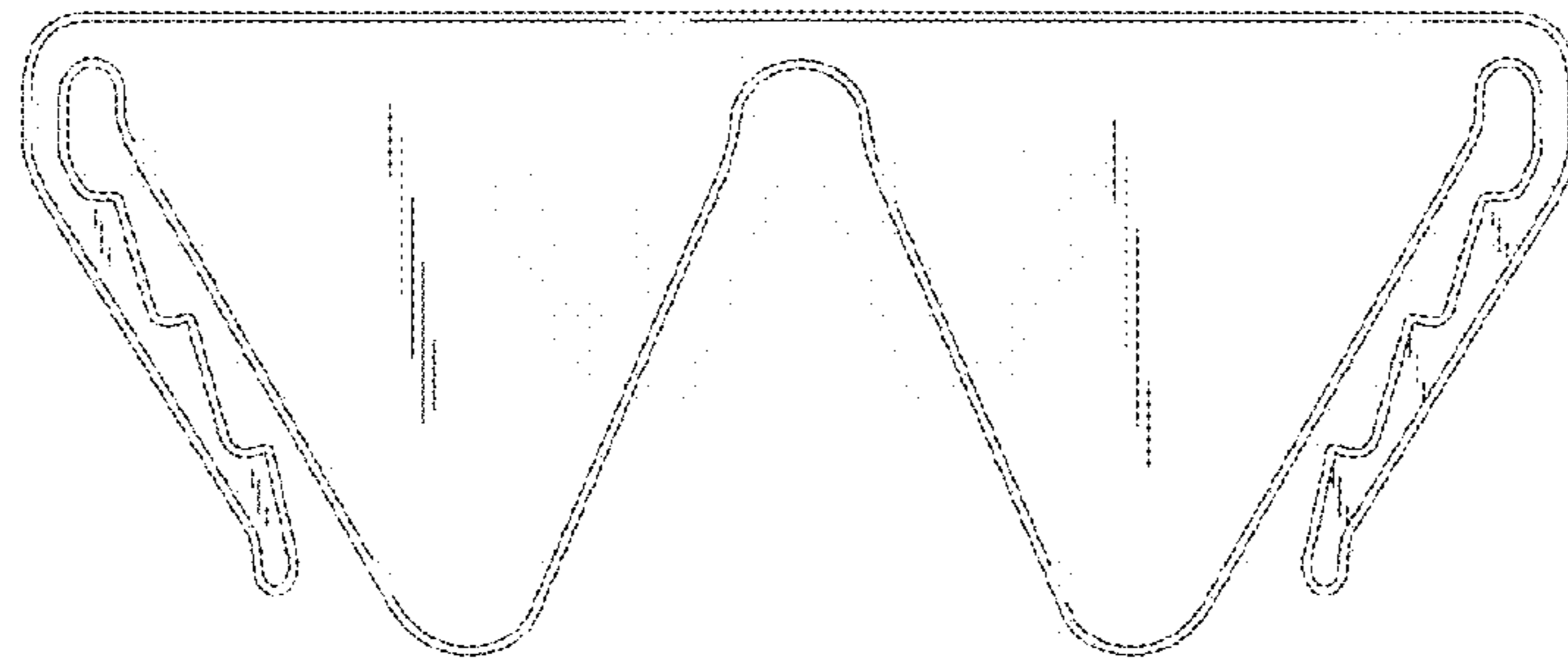


FIG. 7

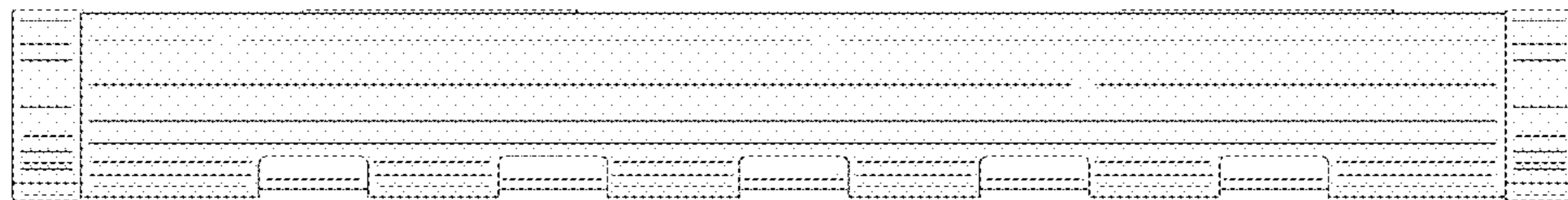


FIG. 8

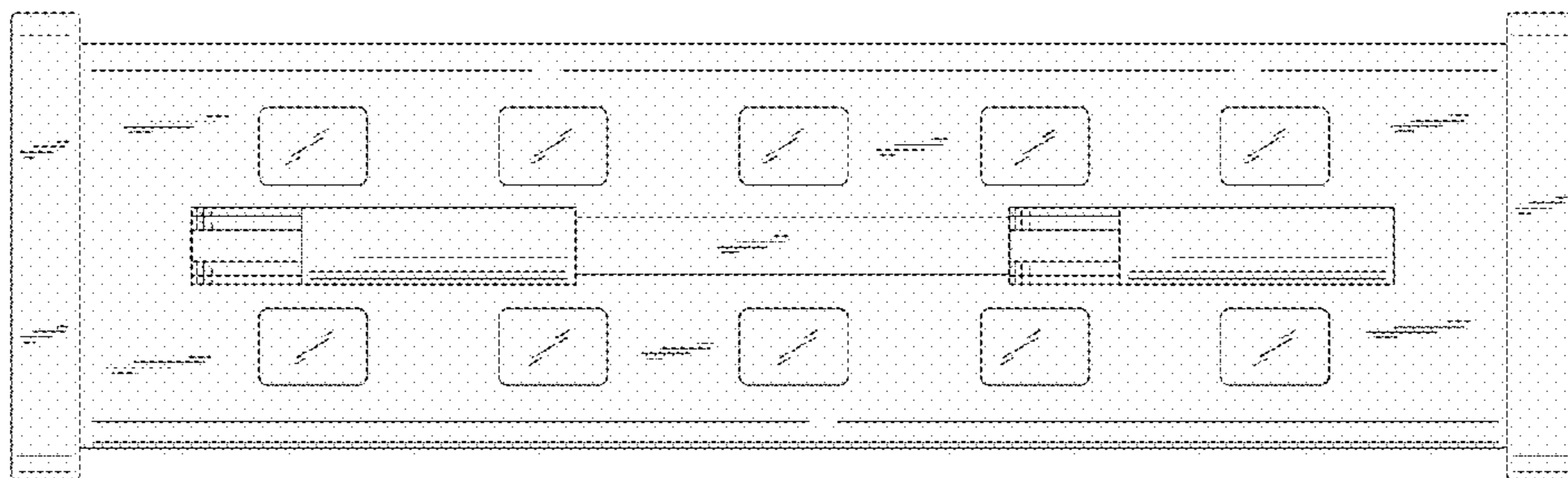


FIG. 9

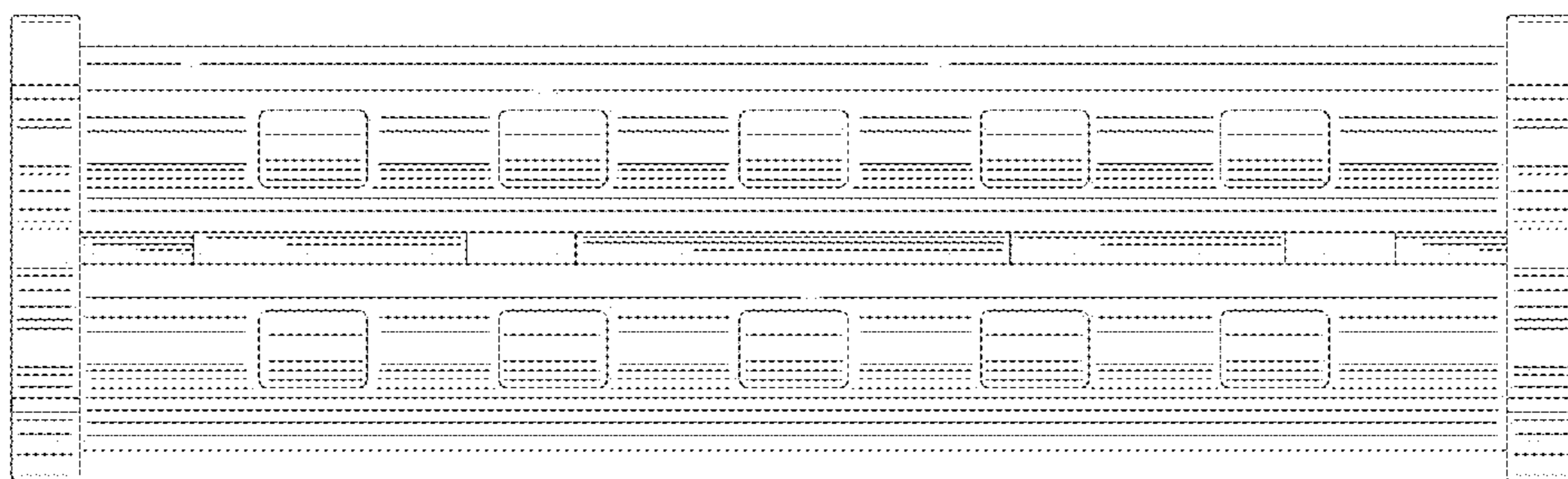


FIG. 10