



US00D762294S

(12) **United States Design Patent**
Hanna

(10) **Patent No.:** **US D762,294 S**
(45) **Date of Patent:** **** *Jul. 26, 2016**

(54) **WAX MELT**

(71) Applicant: **Burton Hanna**, Fayetteville, AR (US)

(72) Inventor: **Burton Hanna**, Fayetteville, AR (US)

(*) Notice: This patent is subject to a terminal disclaimer.

(**) Term: **14 Years**

(21) Appl. No.: **29/480,087**

(22) Filed: **Jan. 23, 2014**

Related U.S. Application Data

(63) Continuation-in-part of application No. 14/099,646, filed on Dec. 6, 2013, now abandoned.

(51) **LOC (10) Cl.** **28-99**

(52) **U.S. Cl.**
USPC **D23/366**

(58) **Field of Classification Search**
USPC D23/355-369; D28/5, 6; 261/DIG. 17, 261/DIG. 42, DIG. 65, DIG. 88, DIG. 89; 392/386, 390, 394, 395, 397; 239/34, 239/44, 53, 55, 56, 326; D26/9, 10; D11/131.1
CPC A61L 00/00

See application file for complete search history.

(56) **References Cited**

U.S. PATENT DOCUMENTS

D17,140	S	*	2/1887	Mankey	D25/138
D90,687	S	*	9/1933	Sherrill	D1/121
D90,688	S	*	9/1933	Sherrill	D1/121
D91,644	S	*	3/1934	Blackstone	D24/101
D127,285	S	*	5/1941	Siemund	D1/121
2,705,203	A	*	3/1955	Heidrich et al.	426/108
4,158,440	A	*	6/1979	Sullivan et al.	239/6
4,215,104	A	*	7/1980	Ullman et al.	424/467
4,285,468	A	*	8/1981	Hyman	239/55

4,465,660	A	*	8/1984	David et al.	424/467
4,547,358	A	*	10/1985	David et al.	424/472
D291,242	S	*	8/1987	Harden et al.	D23/386
5,035,731	A	*	7/1991	Spruill et al.	96/118
5,037,459	A	*	8/1991	Spruill et al.	96/118
D320,494	S	*	10/1991	Cederroth et al.	D1/100
D339,743	S	*	9/1993	Zellner et al.	D9/761
D404,887	S	*	2/1999	Prins	D1/129
5,975,427	A	*	11/1999	Harries	239/34
6,024,997	A	*	2/2000	Blaschke et al.	426/144
6,117,218	A	*	9/2000	Snyder et al.	96/222
6,280,783	B1	*	8/2001	Blaschke et al.	426/144
6,284,295	B1	*	9/2001	Blaschke et al.	426/144
6,312,743	B1	*	11/2001	Blaschke et al.	426/144
D485,942	S	*	1/2004	McLeish	D28/8.1
D497,466	S	*	10/2004	Van De Wal et al.	D1/127
D499,228	S	*	12/2004	Malina et al.	D1/127
D508,302	S	*	8/2005	Malina et al.	D1/127
6,942,885	B2	*	9/2005	Ross et al.	426/94
7,067,772	B2	*	6/2006	Tanner et al.	219/445.1
D536,082	S	*	1/2007	Pugh	D23/366
D540,454	S	*	4/2007	Ruiz Ballesteros et al.	D23/366
D556,426	S	*	12/2007	Slessor et al.	D1/127

(Continued)

Primary Examiner — Sandra Snapp

(74) *Attorney, Agent, or Firm* — Keisling & Pieper PLC; Trent C. Keisling

(57) **CLAIM**

The ornamental design for a wax melt, as shown and described.

DESCRIPTION

FIG. 1 is an isometric view taken generally from the top side of a wax melt showing my new design;

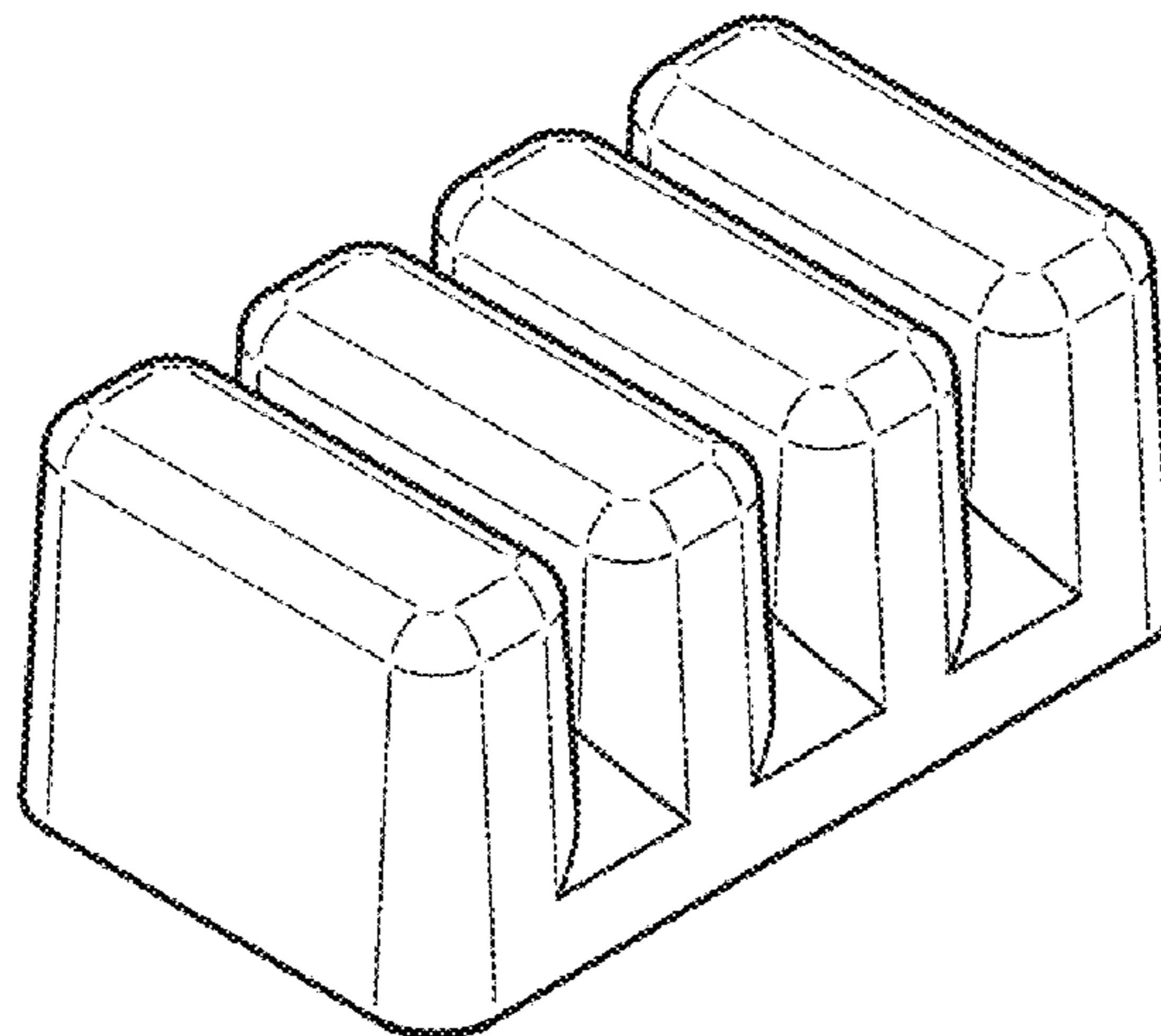
FIG. 2 is a top plan view thereof;

FIG. 3 is an elevational view taken from the front side with the opposite side being a mirror image thereof;

FIG. 4 is a bottom plan view thereof; and,

FIG. 5 is an elevational view taken from the right side with the opposite side being a mirror image thereof.

1 Claim, 1 Drawing Sheet



(56)

References Cited

U.S. PATENT DOCUMENTS

D560,326 S * 1/2008 Bruno et al. D1/121
D560,492 S * 1/2008 Markowicz et al. D9/721
D575,478 S * 8/2008 Hague D1/199
D591,480 S * 5/2009 Hague D1/199
D594,953 S * 6/2009 King et al. D23/366
7,665,238 B2 * 2/2010 Majerowski 40/725
7,699,603 B2 4/2010 Furner et al. 431/292
D616,250 S * 5/2010 Peyton et al. D7/553.3

D658,347 S * 5/2012 Gottardi B. Maia D1/199
D659,946 S * 5/2012 Fujioka et al. D1/127
D663,096 S * 7/2012 Grolimund D1/127
D677,856 S * 3/2013 Krumholz et al. D1/127
D681,479 S * 5/2013 Logue D9/732
D686,090 S * 7/2013 Logue D9/732
D708,312 S * 7/2014 Lin D23/366
D714,431 S * 9/2014 Lin D23/366
D715,019 S * 10/2014 Rosenberg D1/121
D726,893 S * 4/2015 Muller D23/366

* cited by examiner

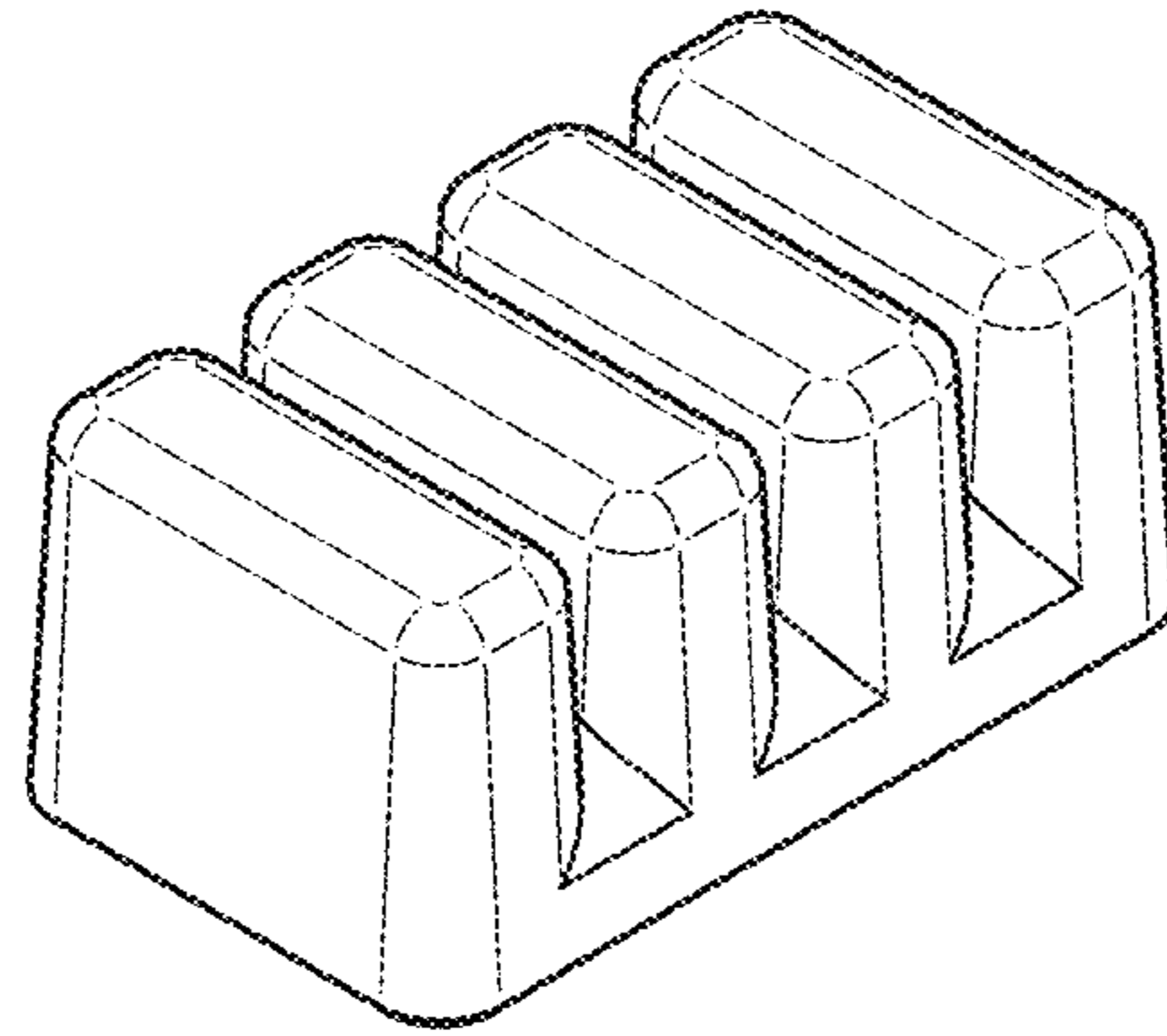


FIG. 1

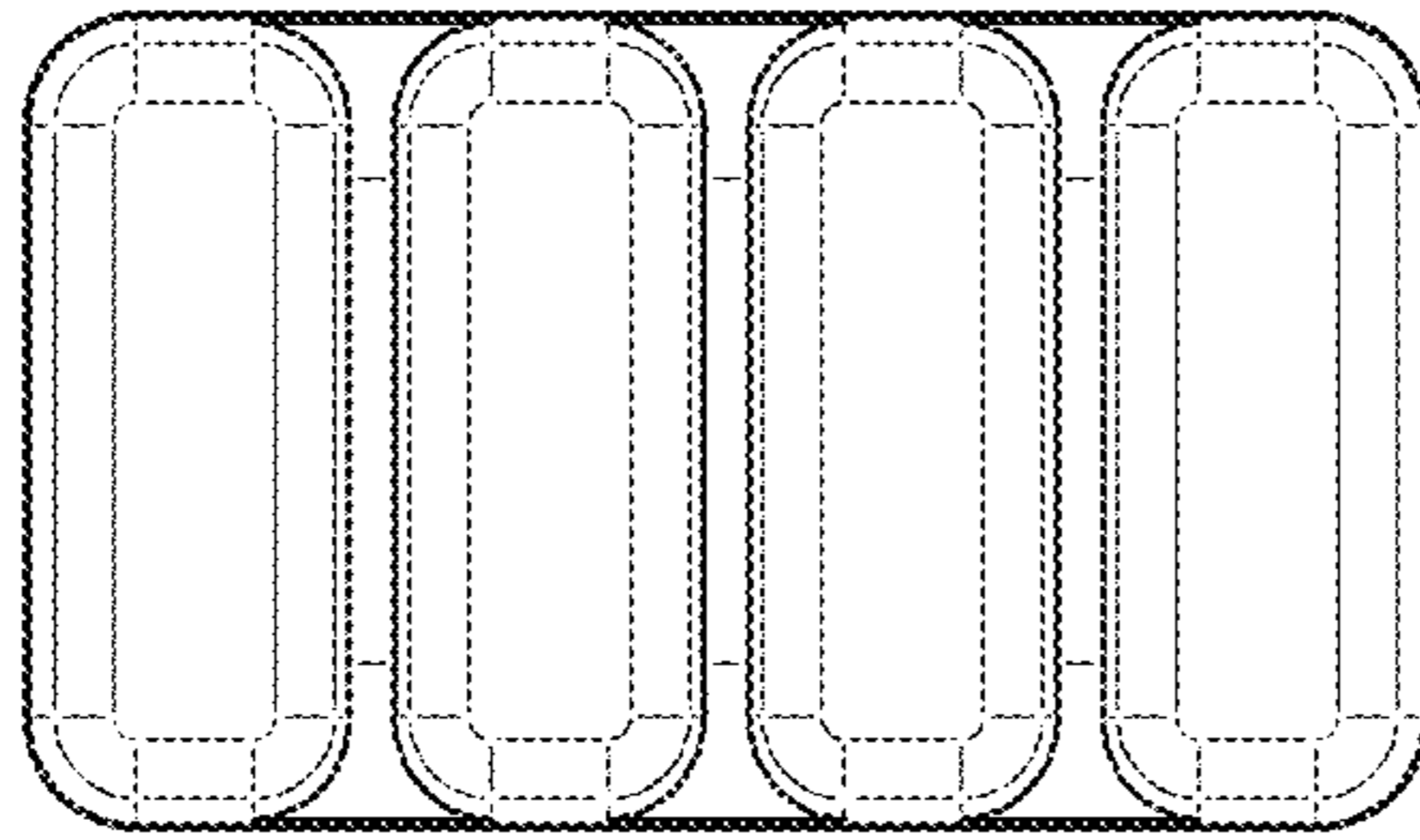


FIG. 2

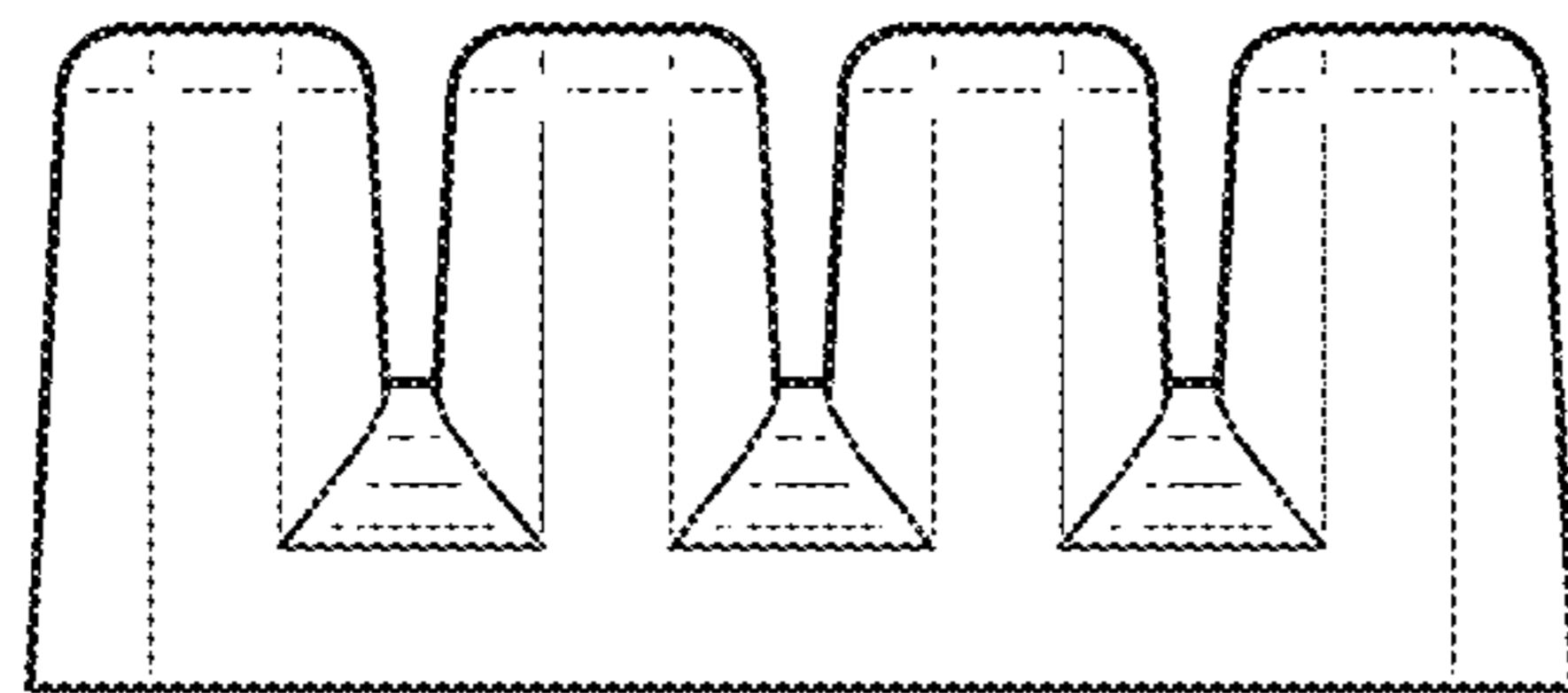


FIG. 3

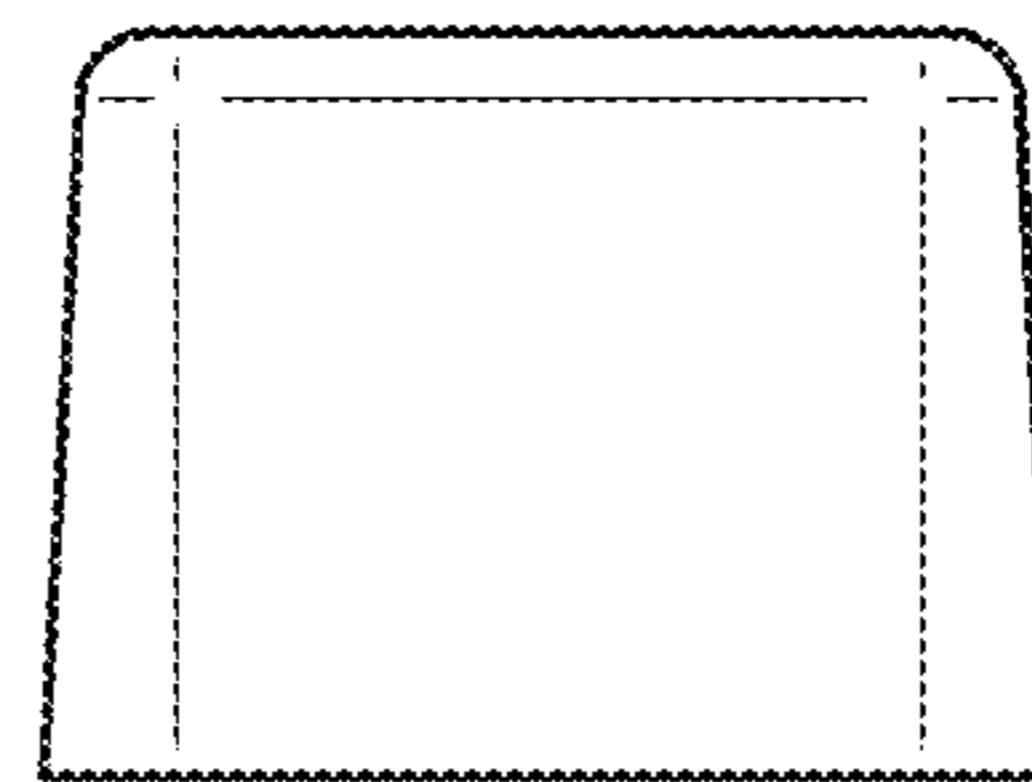


FIG. 5

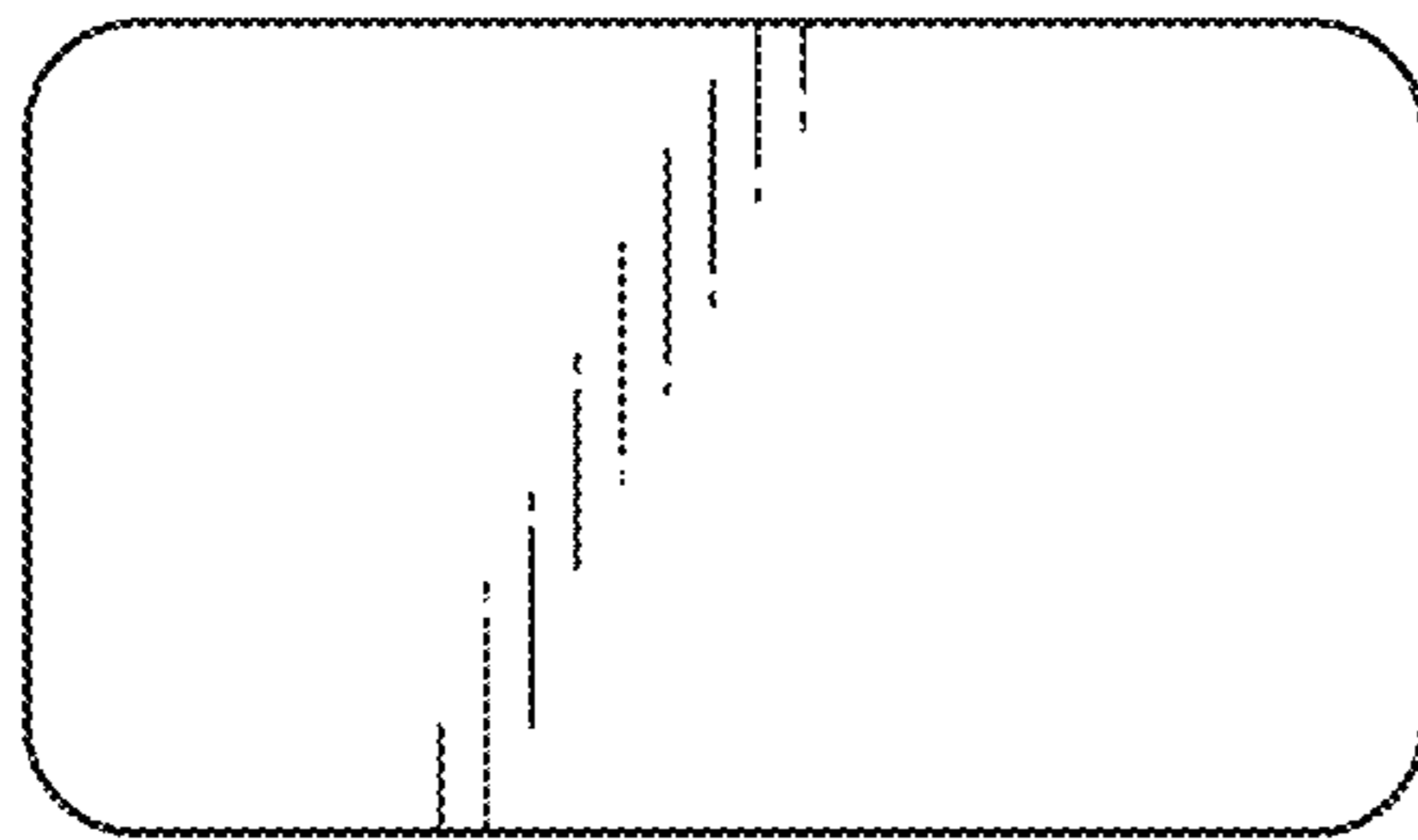


FIG. 4