

US00D762293S

(12) **United States Design Patent**
Grosche et al.

(10) **Patent No.:** **US D762,293 S**
(45) **Date of Patent:** **** Jul. 26, 2016**

- (54) **AIR FILTER**
- (71) Applicants: **Stefanie Grosche**, Dudenhofen (DE);
Thomas Ranker, Homburg (DE)
- (72) Inventors: **Stefanie Grosche**, Dudenhofen (DE);
Thomas Ranker, Homburg (DE)
- (73) Assignee: **MANN+HUMMEL GMBH**,
Ludwigsburg (DE)
- (**) Term: **15 Years**
- (21) Appl. No.: **29/528,075**
- (22) Filed: **May 26, 2015**

- 6,039,778 A * 3/2000 Coulonvaux B01D 46/24
55/498
- 6,495,037 B1 * 12/2002 Schuyler B01D 29/114
210/232
- 7,674,308 B2 * 3/2010 Krisko B01D 45/16
55/498
- 8,246,702 B2 * 8/2012 Ackermann B01D 46/0021
123/198 E
- D705,412 S * 5/2014 Dworatzek D23/365
- 2008/0196368 A1 * 8/2008 Waibel B01D 45/16
55/385.3
- 2010/0096315 A1 * 4/2010 Gillenberg B01D 46/0005
210/236
- 2010/0162673 A1 * 7/2010 Grosche B01D 46/0004
55/482
- 2012/0233972 A1 * 9/2012 Menssen B01D 45/16
55/325
- 2013/0186048 A1 * 7/2013 Muenkel B01D 46/0021
55/323
- 2014/0047808 A1 * 2/2014 Menssen B01D 46/2411
55/502

Related U.S. Application Data

- (62) Division of application No. 29/429,279, filed on Aug. 8, 2012.

Foreign Application Priority Data

- Feb. 8, 2012 (CN) 2012 3 0024221

- (51) **LOC (10) CL.** **23-04**
- (52) **U.S. CL.**
USPC **D23/365**

- (58) **Field of Classification Search**
USPC D23/365, 209, 363, 358, 386, 354, 341,
D23/364; 55/385.3, 502, 497, 506, 505,
55/521, 495, 422, 493, DIG. 30; 210/435,
210/130, 136, 248, 339, 448, 452, 497.1;
D15/5
CPC B01D 46/0005; B01D 46/2411; B01D
46/521; B01D 2265/021; B01D 2265/06
See application file for complete search history.

(56) **References Cited**

U.S. PATENT DOCUMENTS

- D349,150 S * 7/1994 Garrigos Ruiz D23/209
- D412,567 S * 8/1999 Ward D23/364

* cited by examiner

Primary Examiner — David Muller

Assistant Examiner — Nathan Johnston

(74) *Attorney, Agent, or Firm* — James Hasselbeck

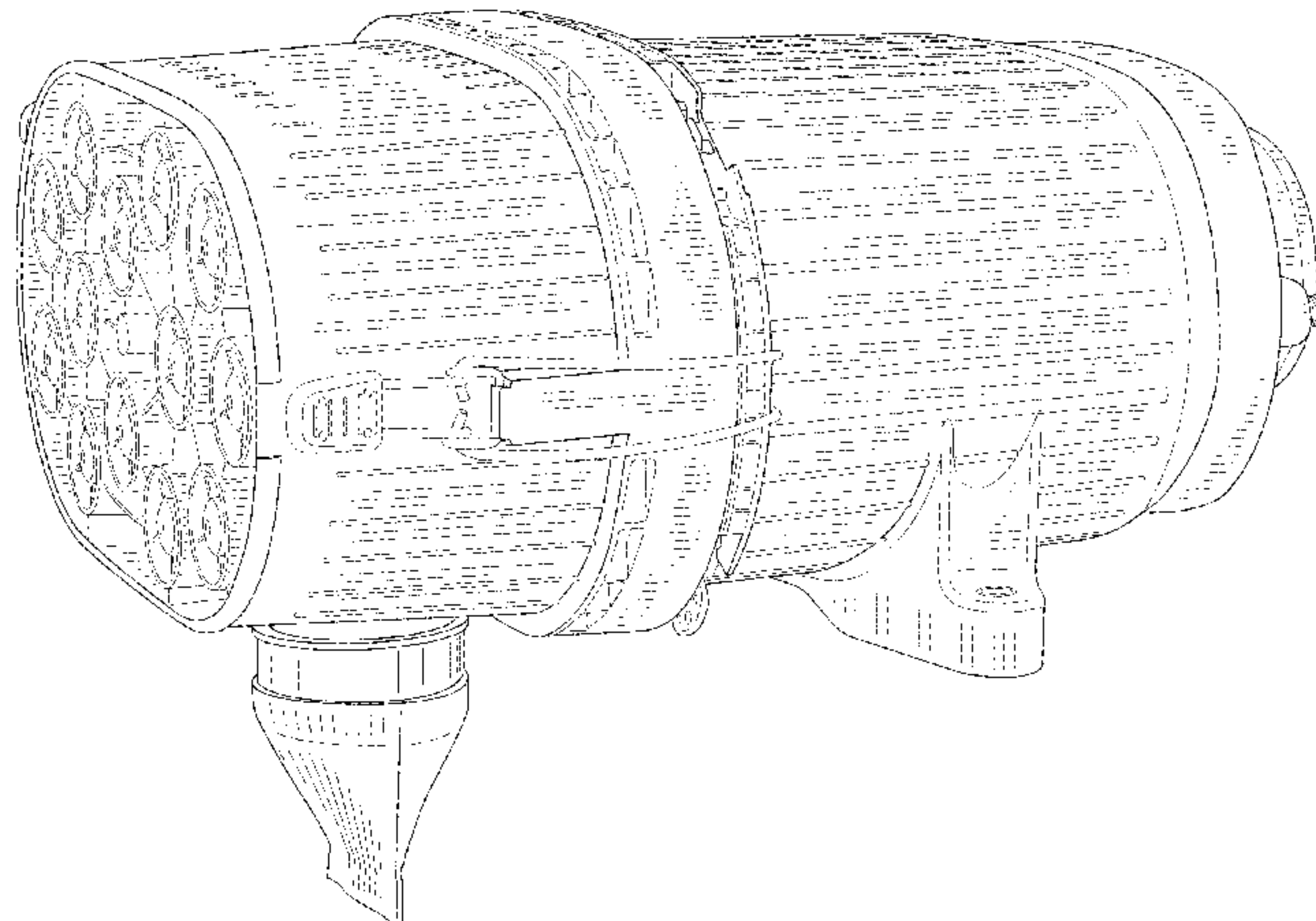
(57) **CLAIM**

We claim the ornamental design for an air filter, as shown and described.

DESCRIPTION

FIG. 1 is a perspective view of an air filter showing our new design, configured horizontally;
 FIG. 2 is a front elevational view thereof;
 FIG. 3 is a rear elevational view thereof;
 FIG. 4 is a right side elevational view thereof;
 FIG. 5 is a left side elevational view thereof;
 FIG. 6 is a top plan view thereof; and,
 FIG. 7 is a bottom plan view thereof.
 The broken lines shown in the drawings are for the purpose of illustrating portions of the article that form no part of the claimed design.

1 Claim, 7 Drawing Sheets



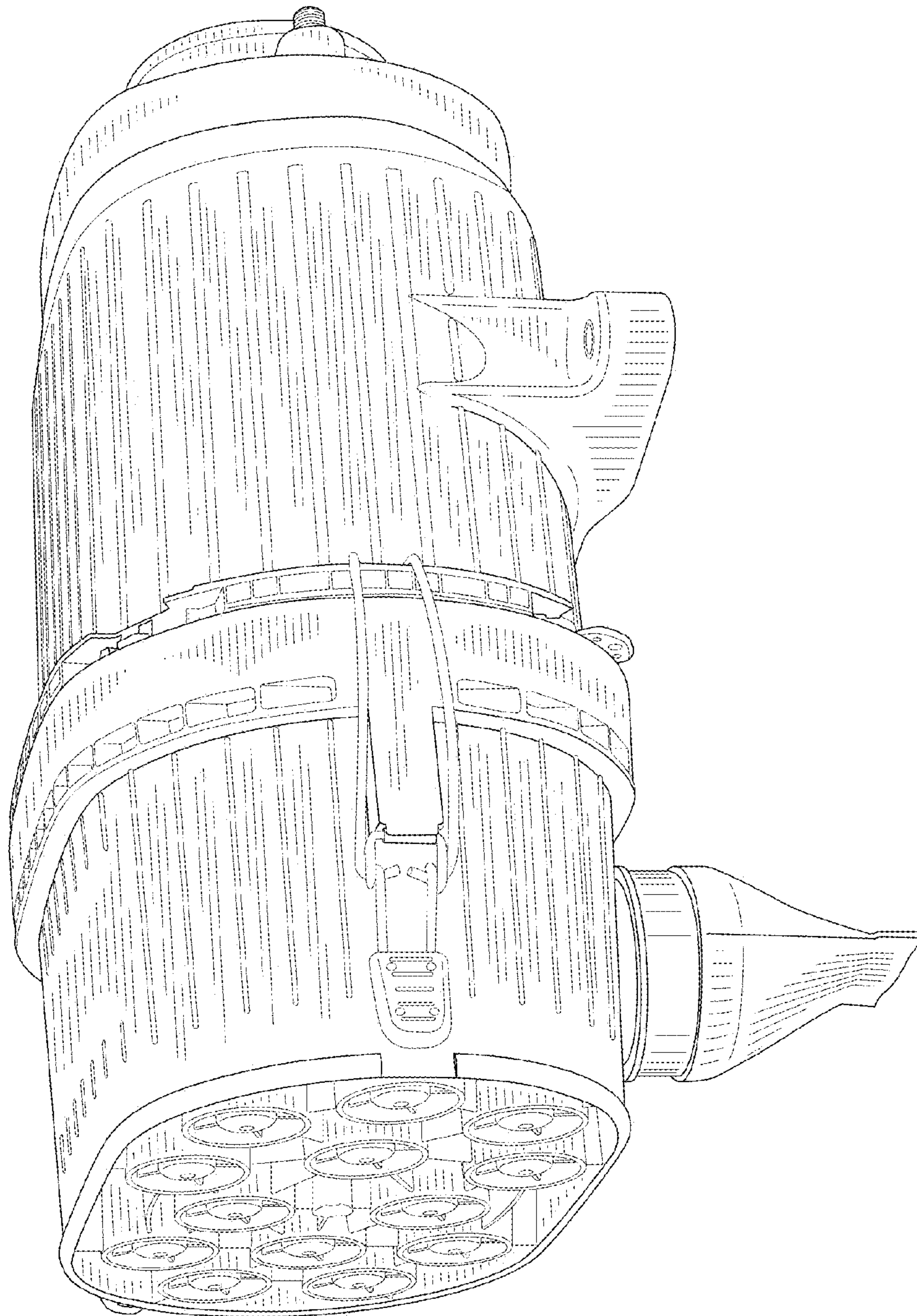


FIG. 1

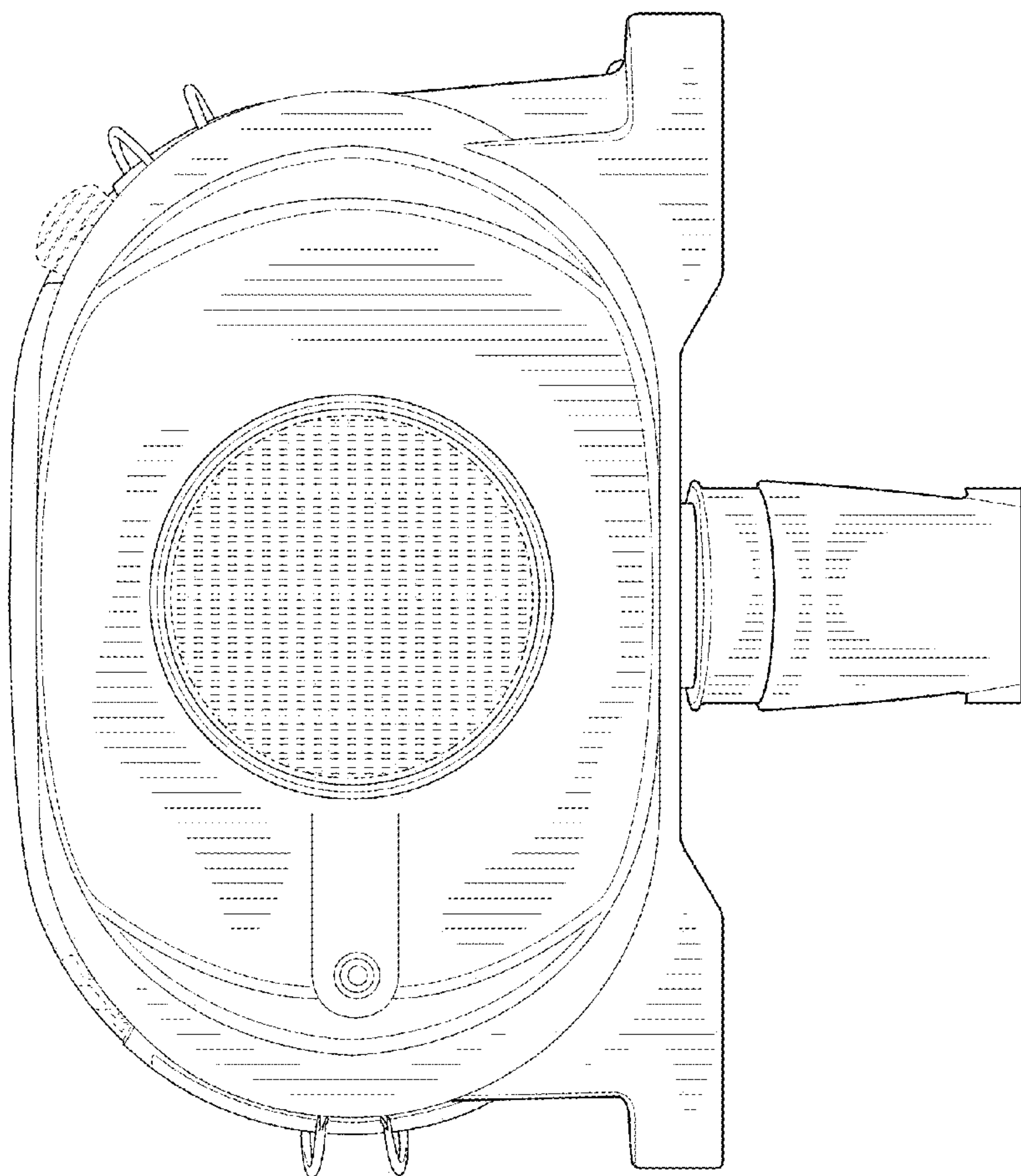


FIG. 2

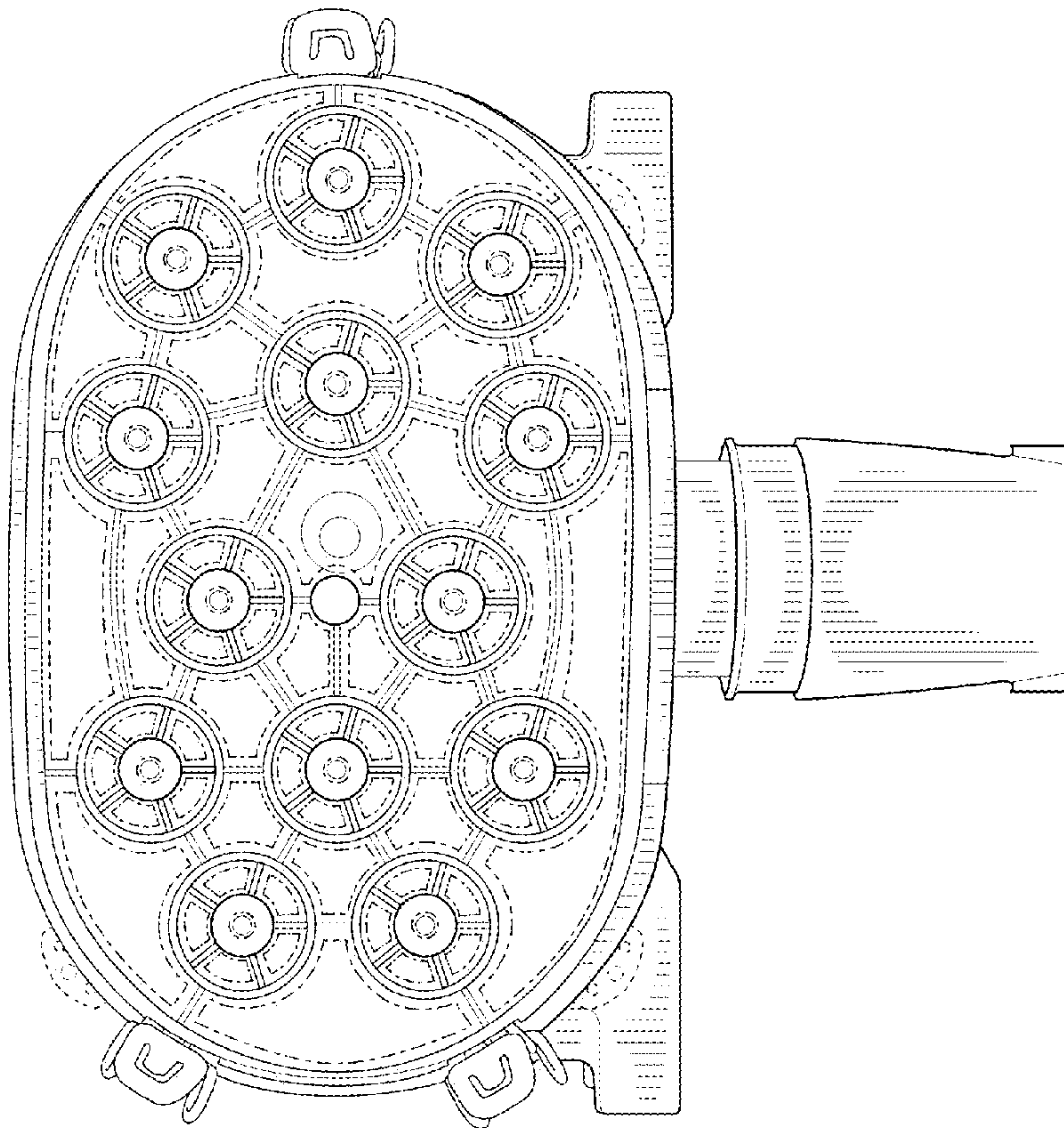


FIG. 3

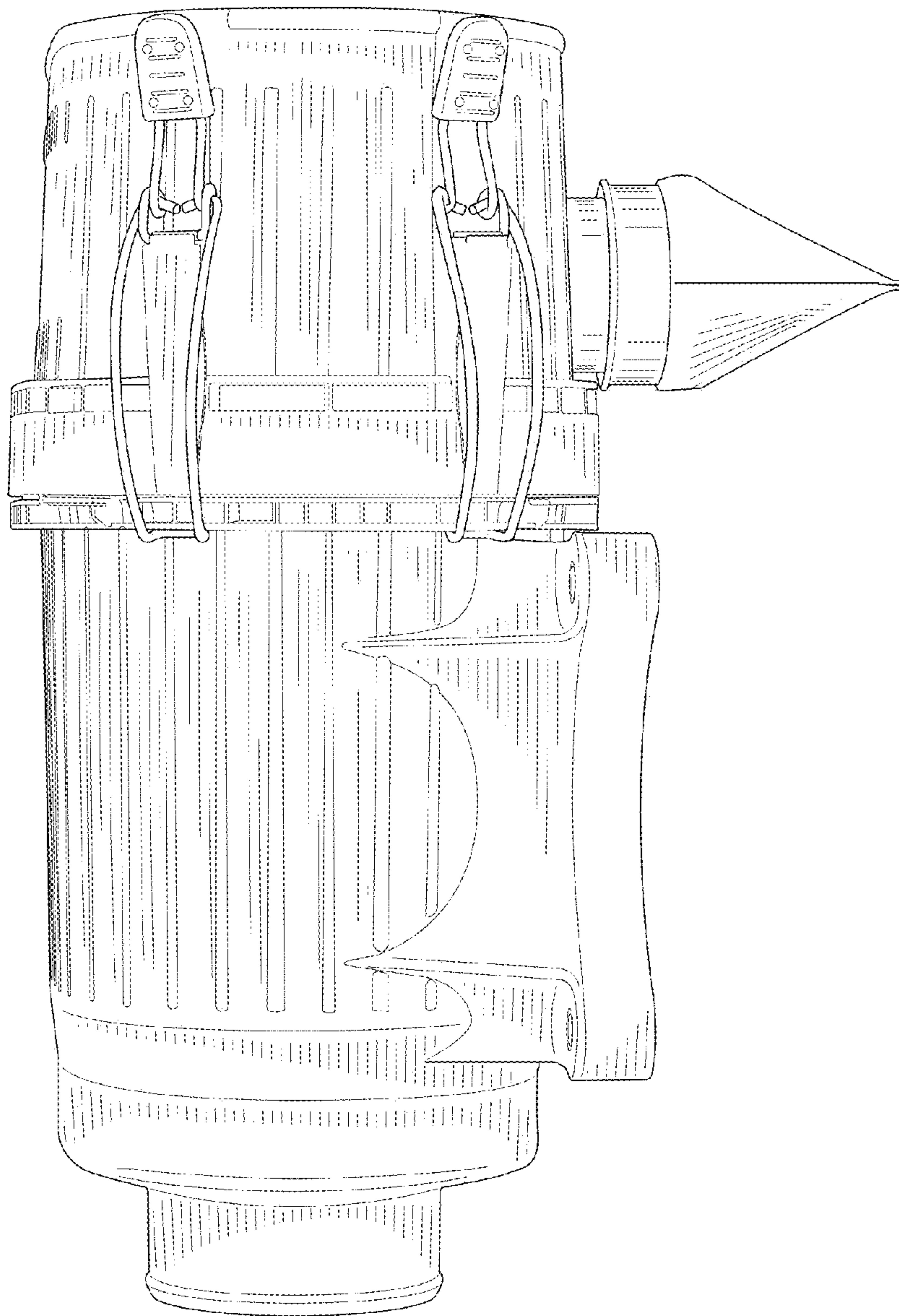


FIG. 4

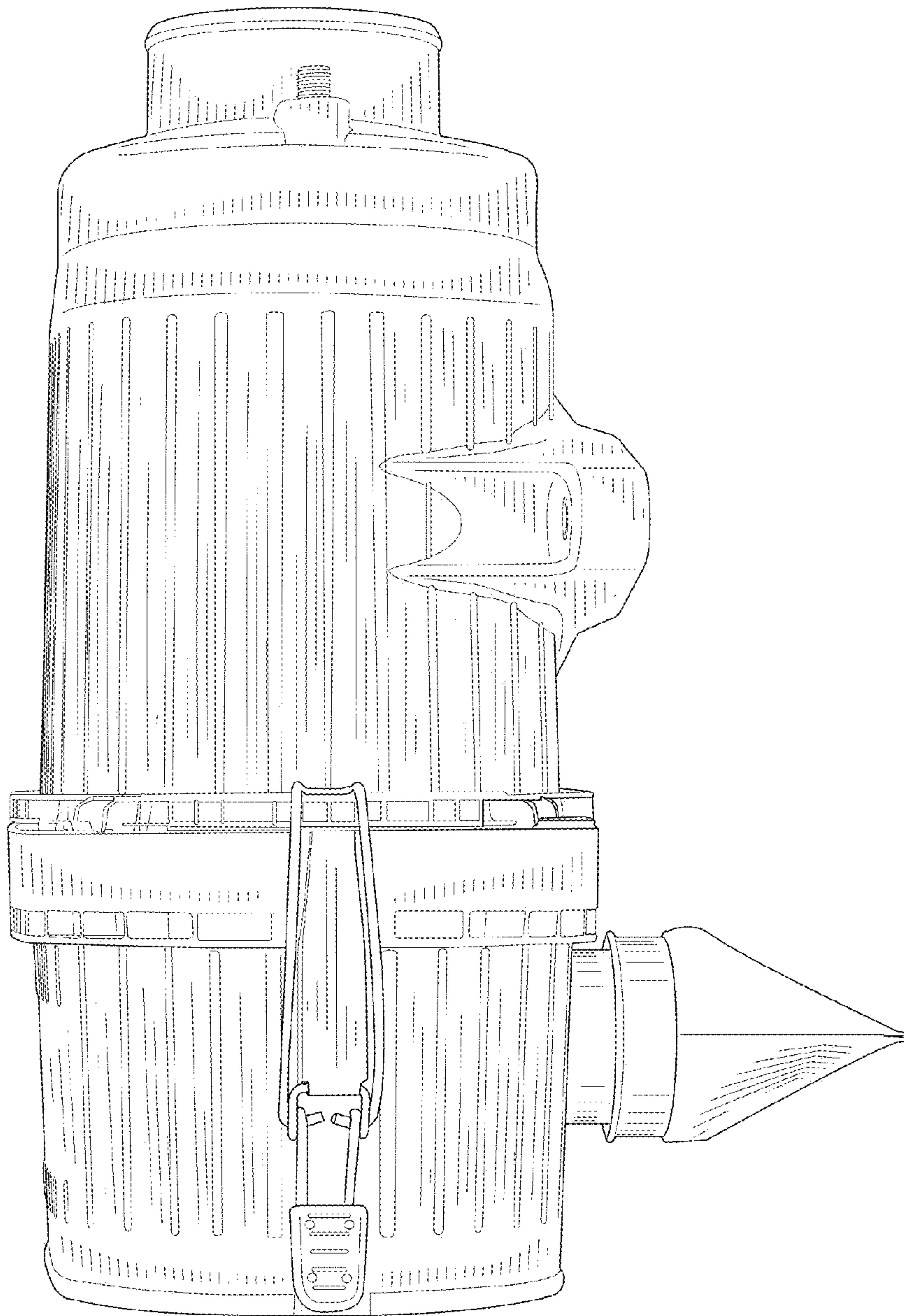


FIG. 5

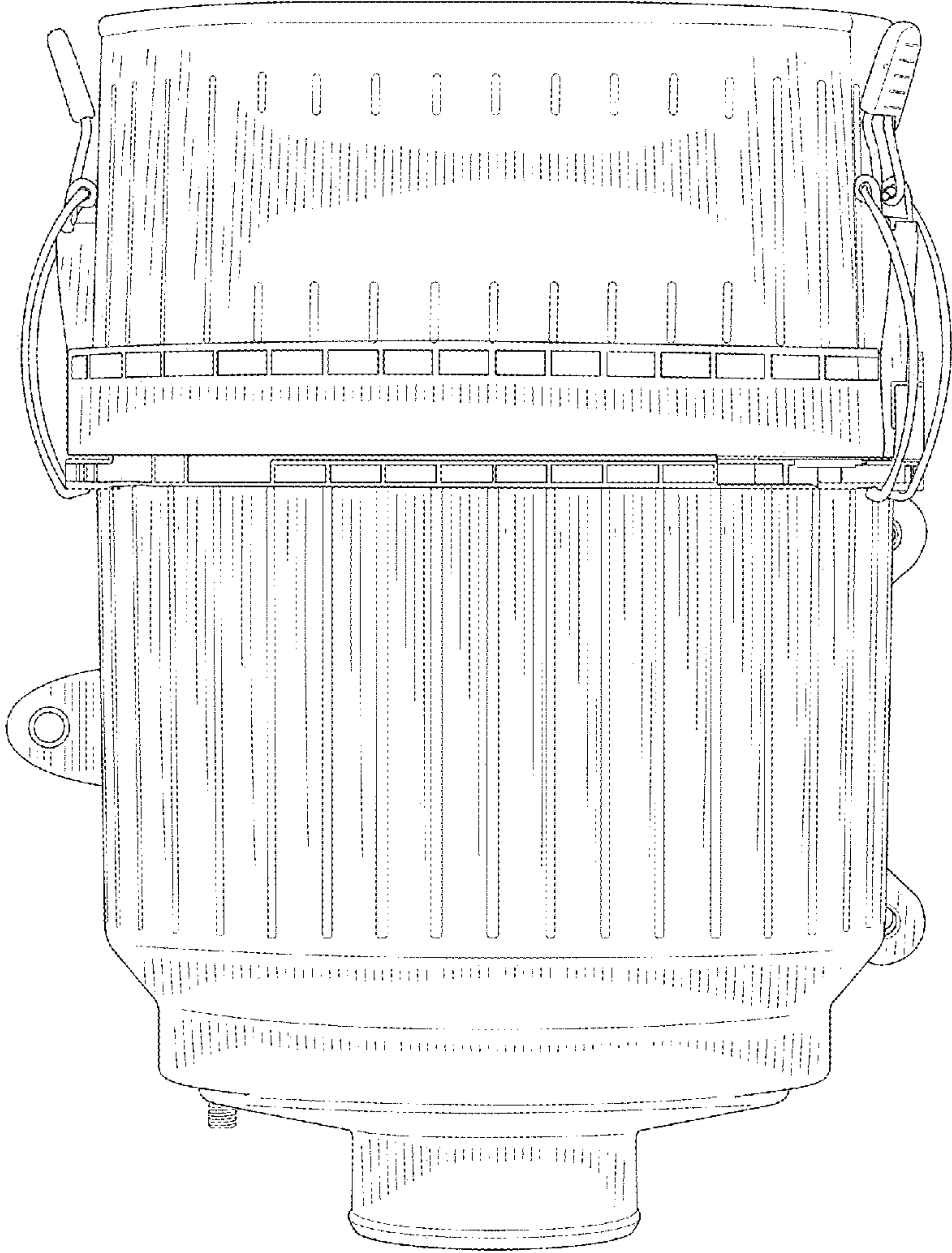


FIG. 6

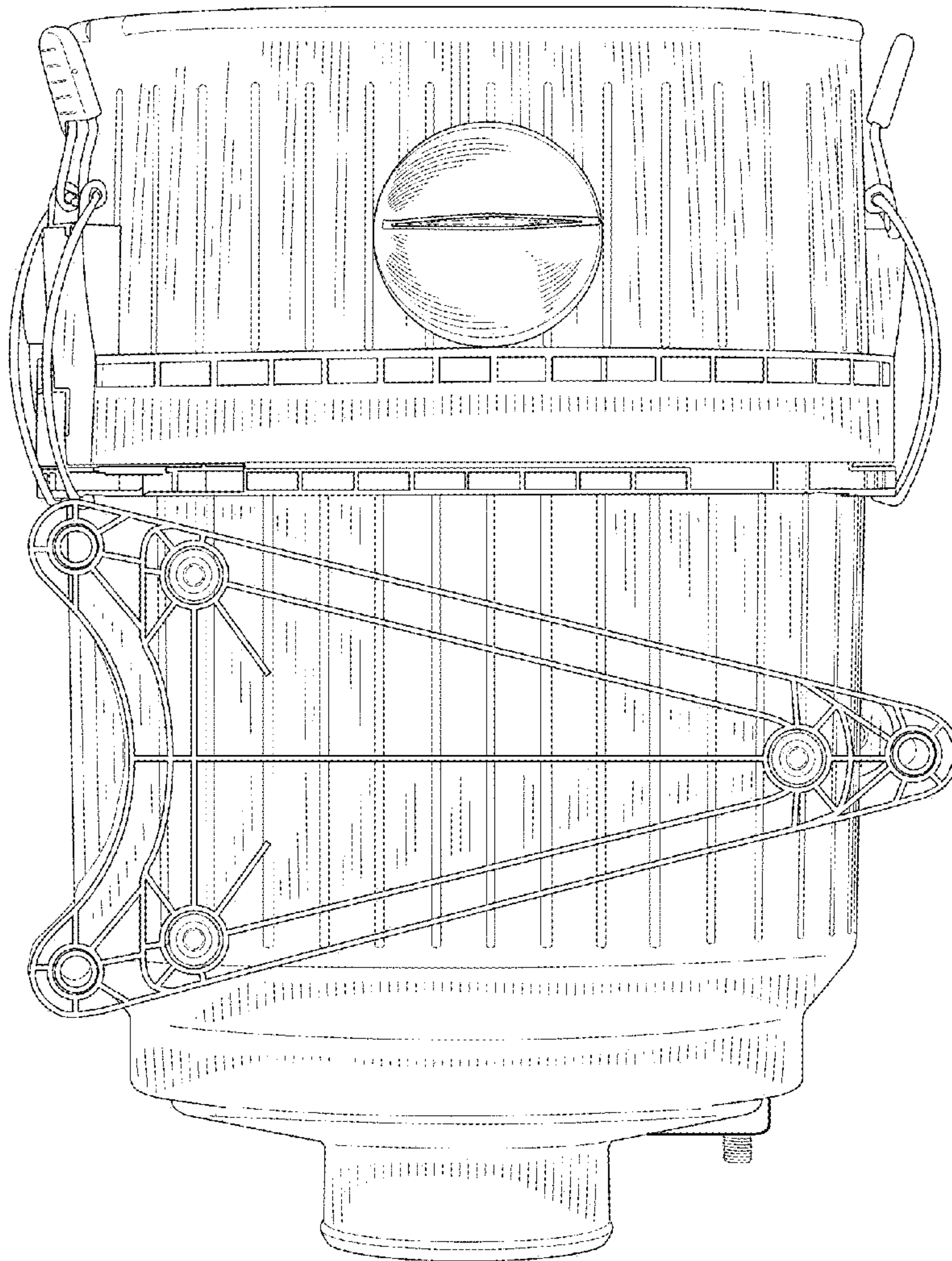


FIG. 7