



US00D762291S

(12) **United States Design Patent**
Grosche et al.

(10) **Patent No.:** **US D762,291 S**
(45) **Date of Patent:** **** Jul. 26, 2016**

(54) **AIR FILTER**

(56) **References Cited**

(75) Inventors: **Stefanie Grosche**, Dudenhofen (DE);
Thomas Ranker, Homburg (DE)

U.S. PATENT DOCUMENTS

(73) Assignee: **MANN+HUMMEL GMBH**,
Ludwigsburg (DE)

D349,150	S	*	7/1994	Garrigos Ruiz	D23/209
D412,567	S	*	8/1999	Ward et al.	D23/364
6,039,778	A	*	3/2000	Coulonvaux	55/498
6,495,037	B1	*	12/2002	Schuyler	210/232
7,674,308	B2	*	3/2010	Krisko et al.	55/502
8,246,702	B2	*	8/2012	Ackermann et al.	55/337
D705,412	S	*	5/2014	Dworatzek et al.	D23/365
2008/0196368	A1	*	8/2008	Waibel	55/385.3
2010/0096315	A1	*	4/2010	Gillenberg et al.	210/236
2010/0162673	A1	*	7/2010	Grosche et al.	55/482
2012/0233972	A1	*	9/2012	Menssen et al.	55/325
2013/0186048	A1	*	7/2013	Muenkel	55/323
2014/0047808	A1	*	2/2014	Menssen et al.	55/502

(**) Term: **14 Years**

(21) Appl. No.: **29/429,279**

(22) Filed: **Aug. 8, 2012**

* cited by examiner

(30) **Foreign Application Priority Data**

Feb. 8, 2012 (CN) 2012 3 0024221

Primary Examiner — David Muller

Assistant Examiner — Nathan Johnston

(51) **LOC (10) Cl.** **23-04**

(74) *Attorney, Agent, or Firm* — James Hasselbeck

(52) **U.S. Cl.**

(57) **CLAIM**

USPC **D23/365**

We claim the ornamental design for an air filter, as shown and described.

(58) **Field of Classification Search**

DESCRIPTION

USPC D23/365, 209, 363, 358, 386, 354, 341,
D23/364; 210/435, 130, 136, 248, 339, 448,
210/452, 497.1; D15/15; 55/385.3, 502,
55/497, 506, 505, 521, 495, 422, 493,
55/DIG. 30

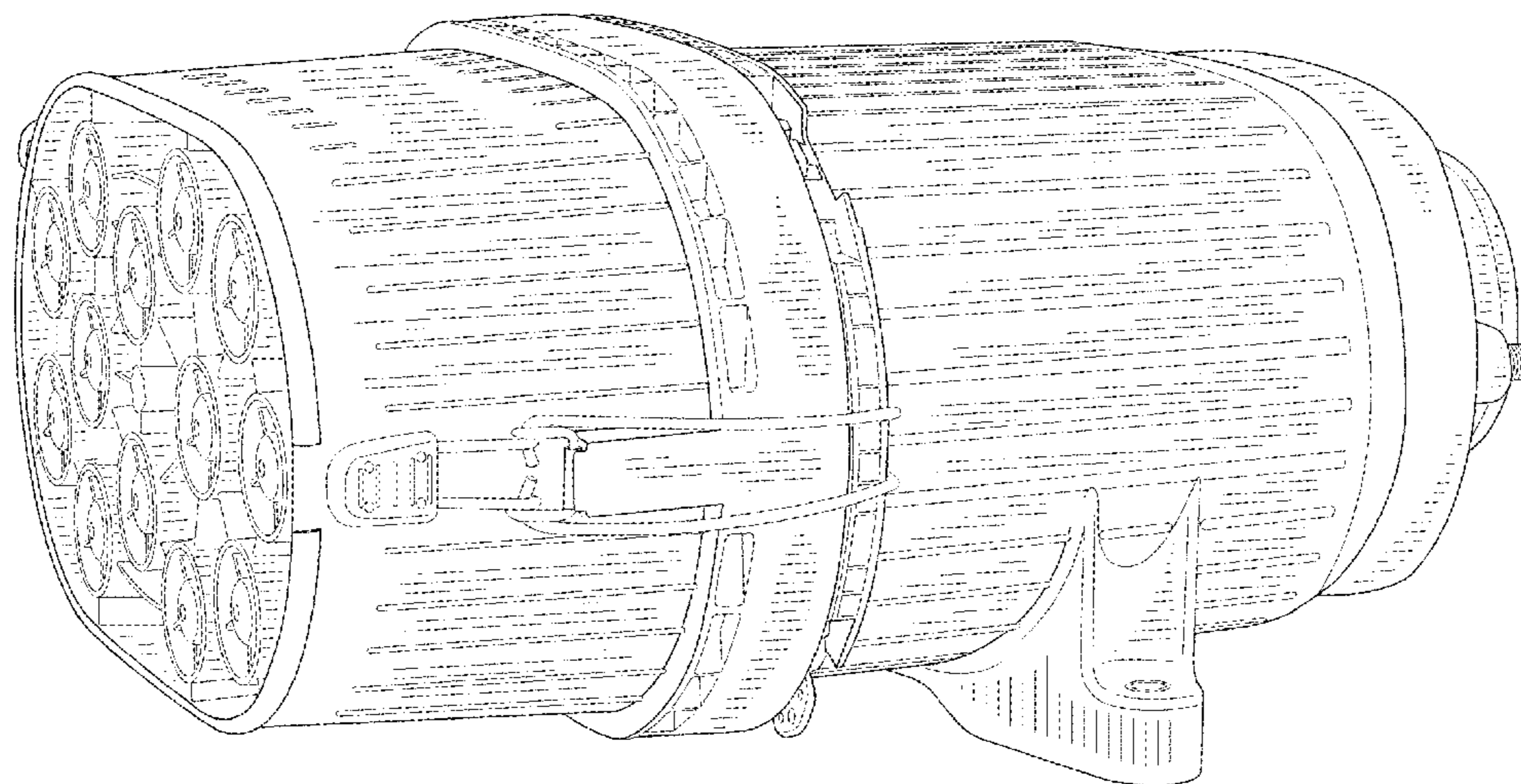
FIG. 1 is a perspective view of an air filter showing our new design, configured vertically;
FIG. 2 is a front elevation view thereof;
FIG. 3 is a rear elevation view thereof;
FIG. 4 is a right side elevation view thereof;
FIG. 5 is a left side elevation view thereof;
FIG. 6 is a top plan view thereof; and,
FIG. 7 is a bottom plan view thereof.

CPC B01D 46/0005; B01D 46/2411; B01D
46/521; B01D 2271/027; B01D 2265/021;
B01D 2265/06

The features shown in the dot dash lines depict environmental subject matter only and form no part of the claimed design.

See application file for complete search history.

1 Claim, 7 Drawing Sheets



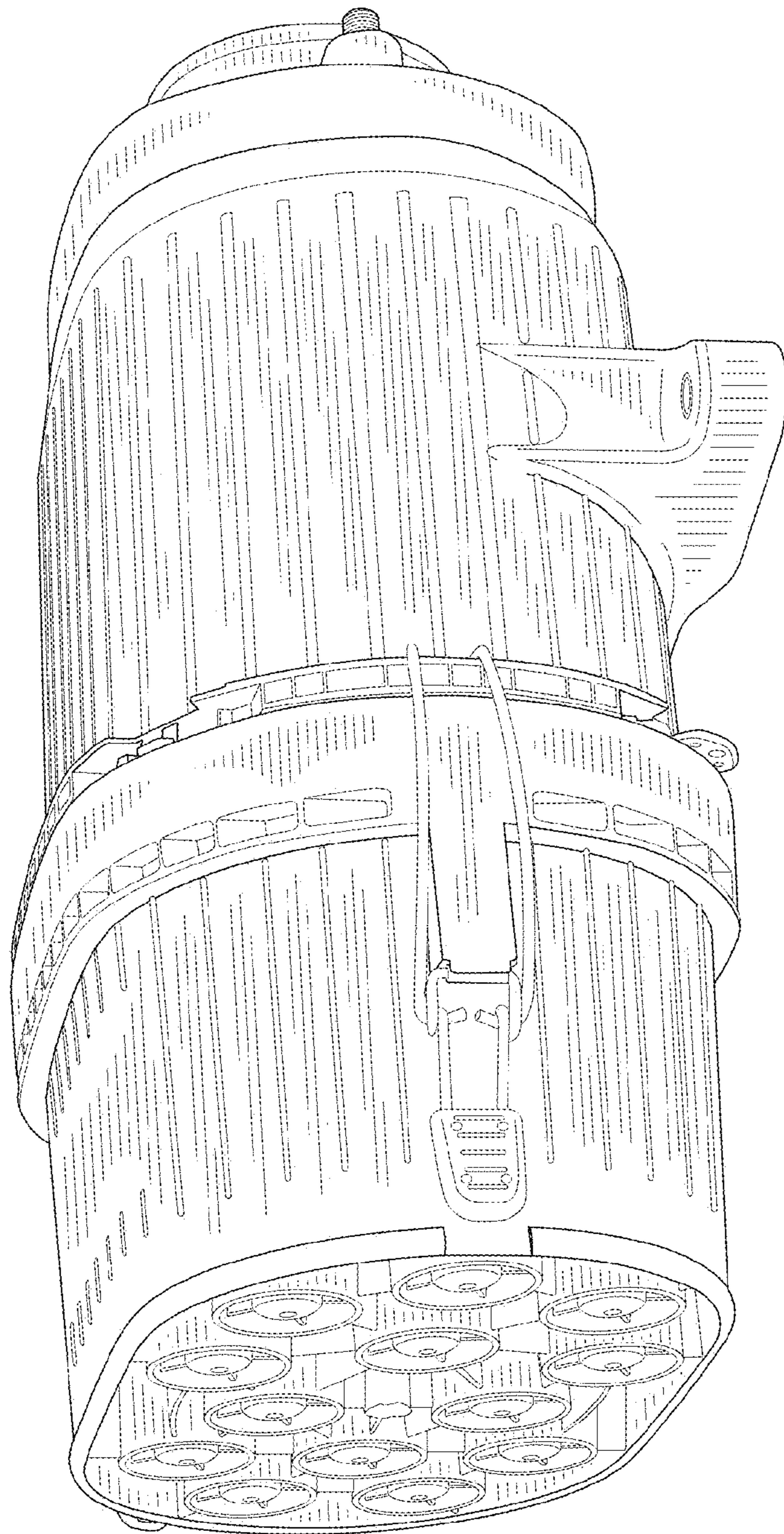


FIG. 1

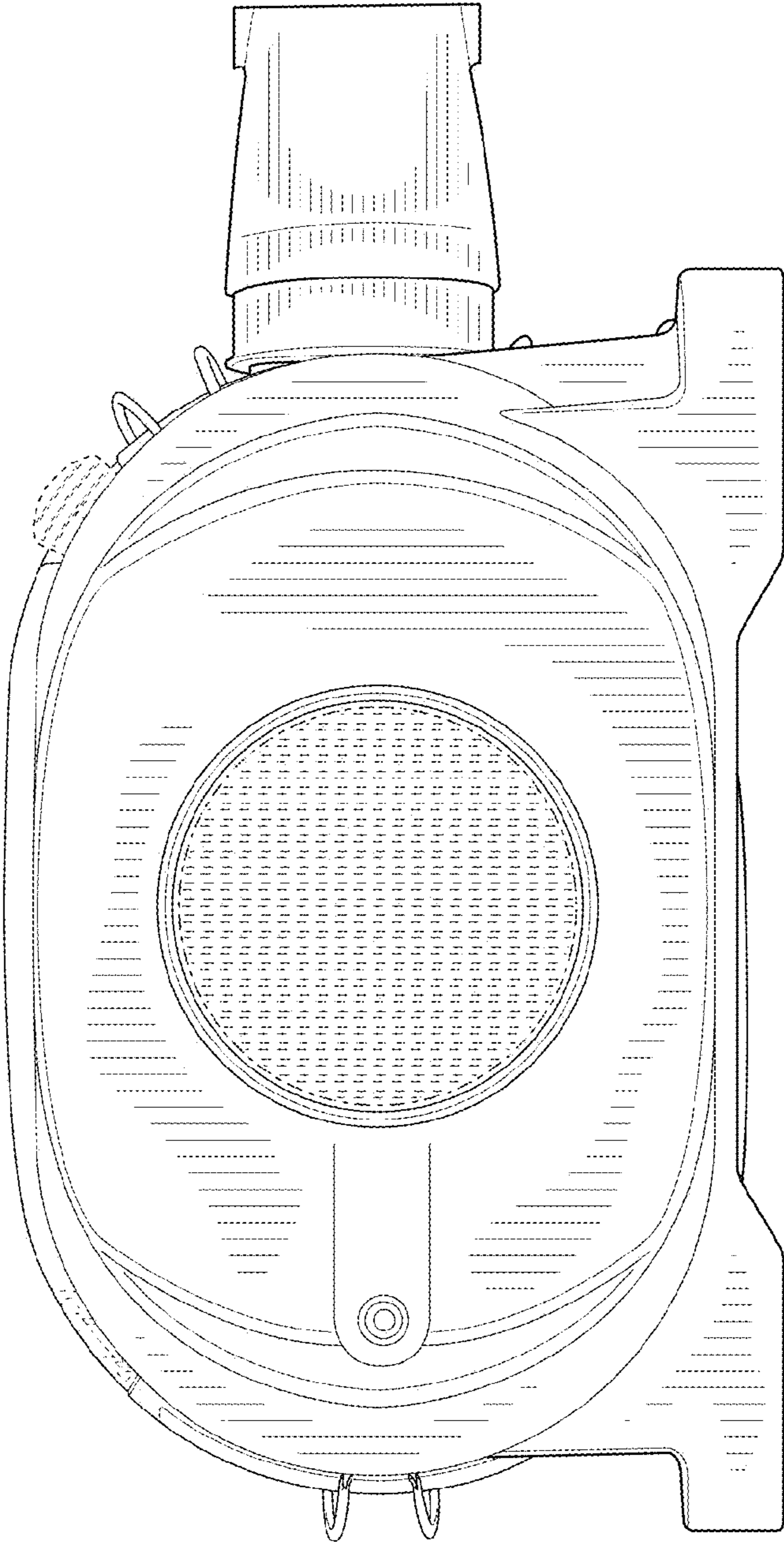


FIG. 2

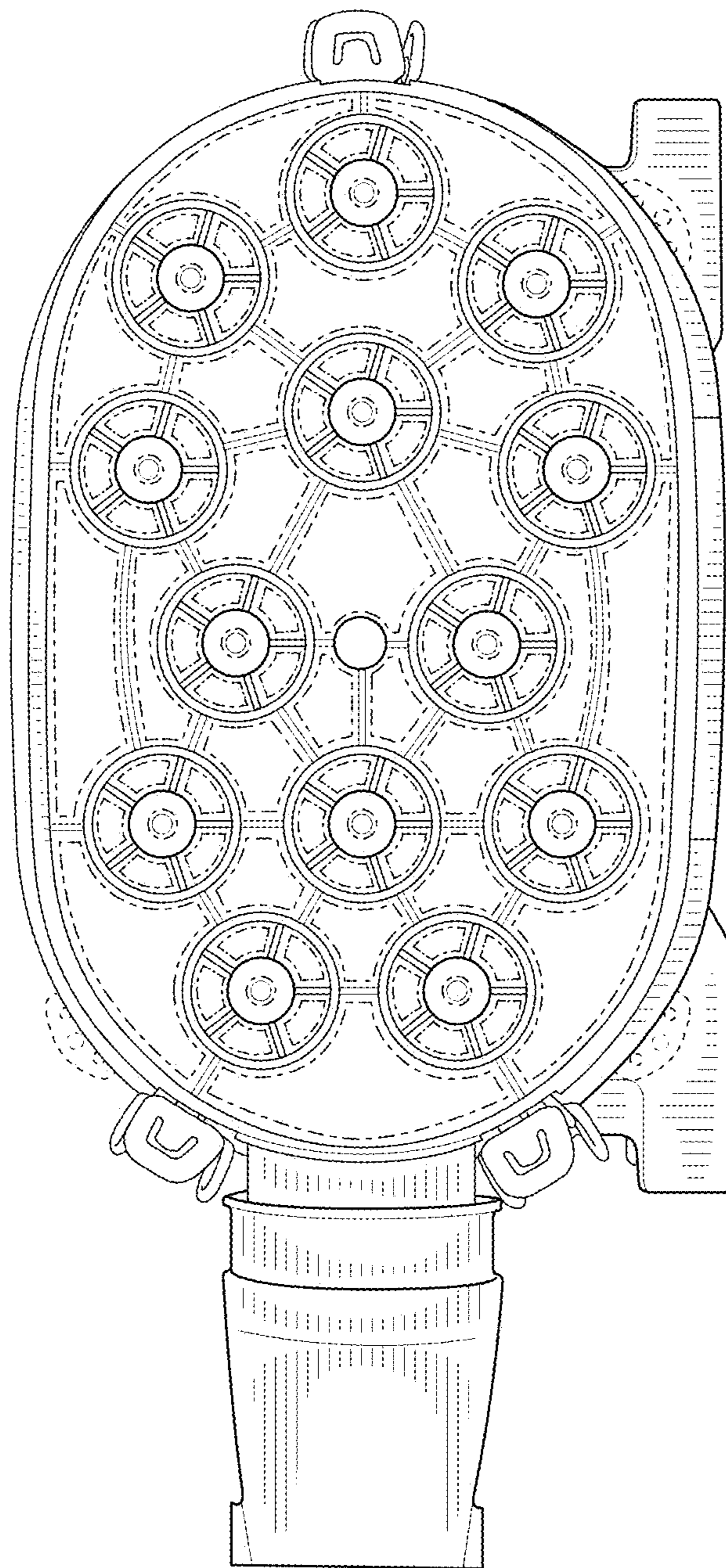


FIG. 3

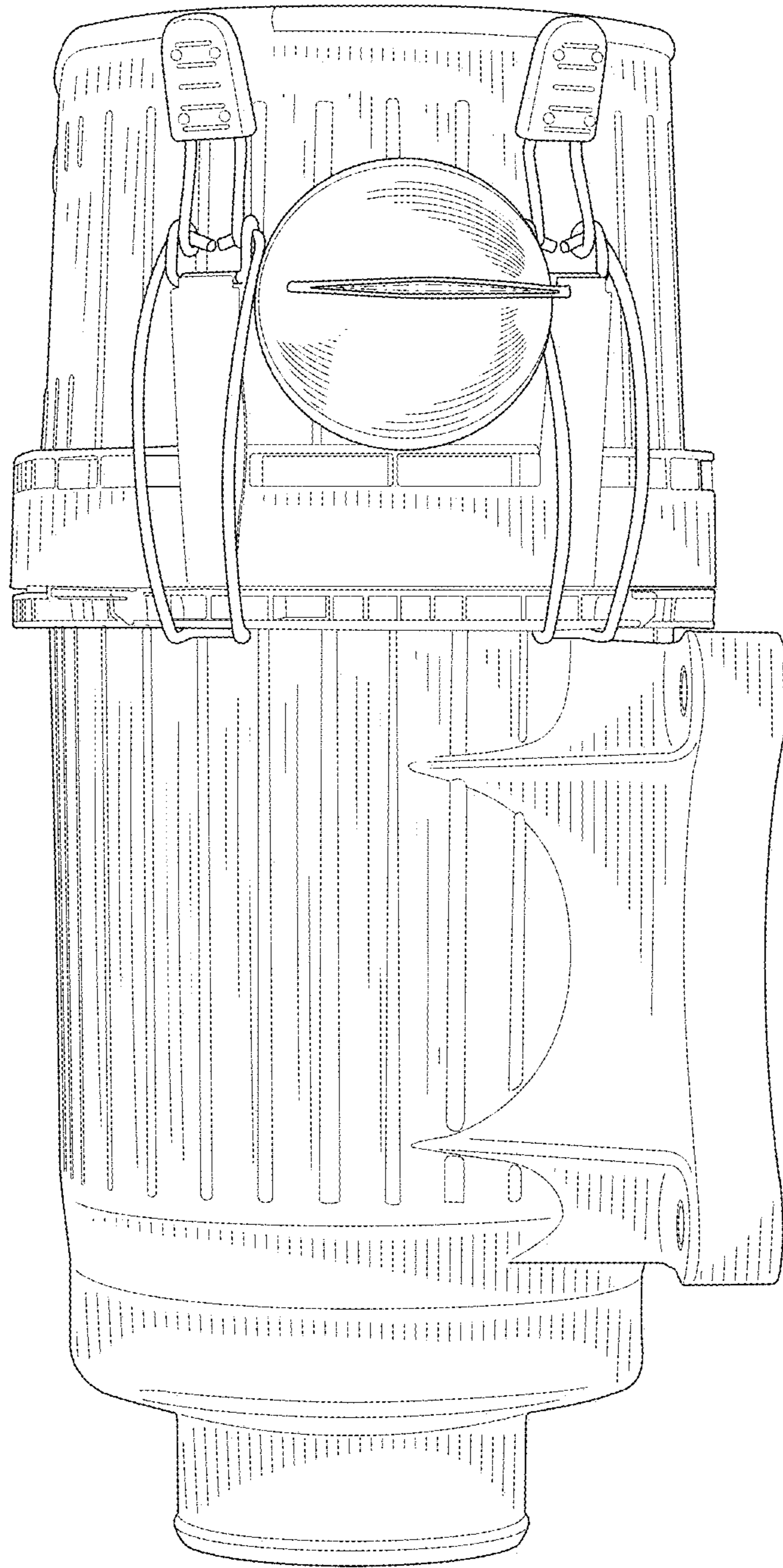


FIG. 4

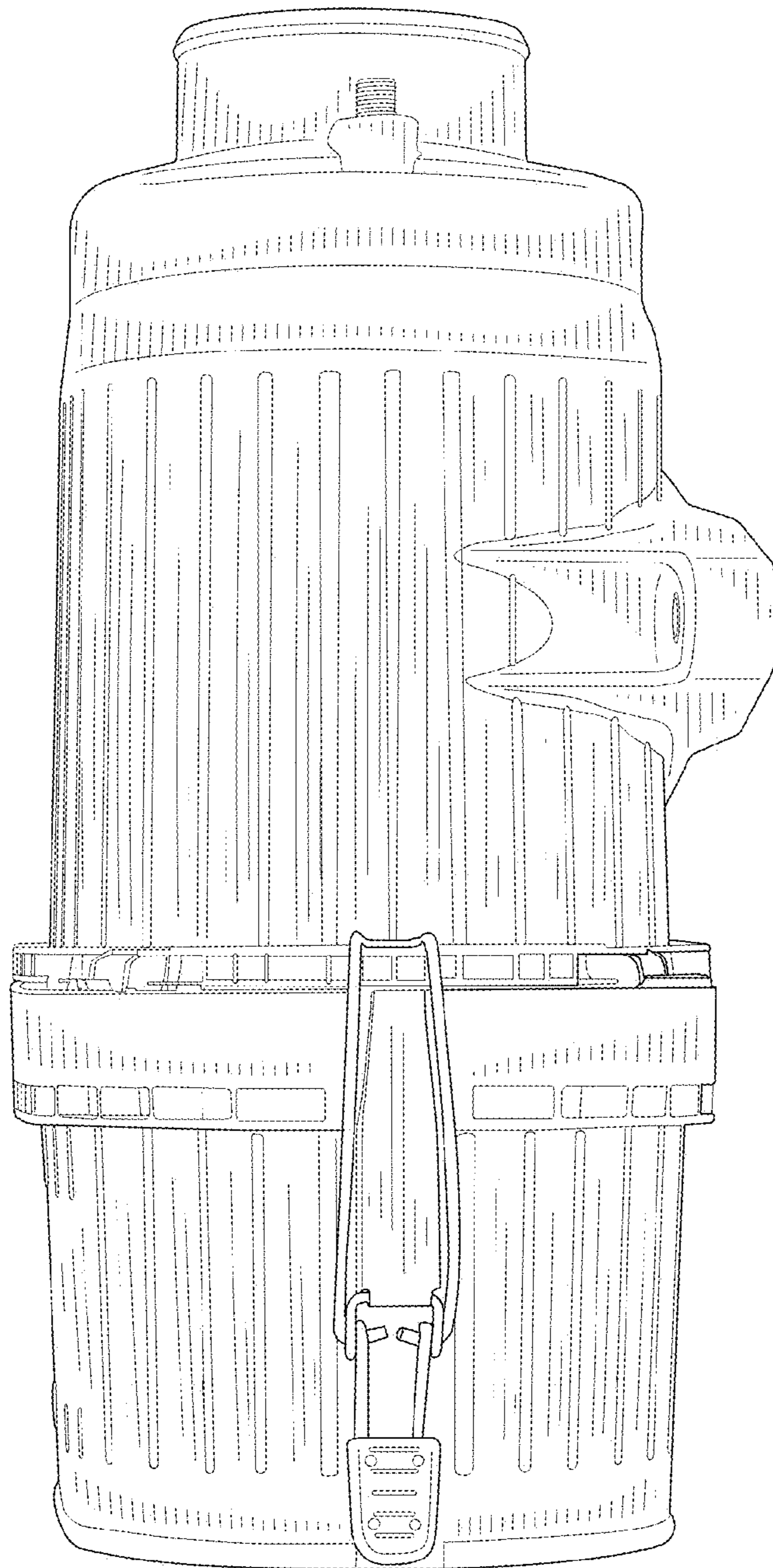


FIG. 5

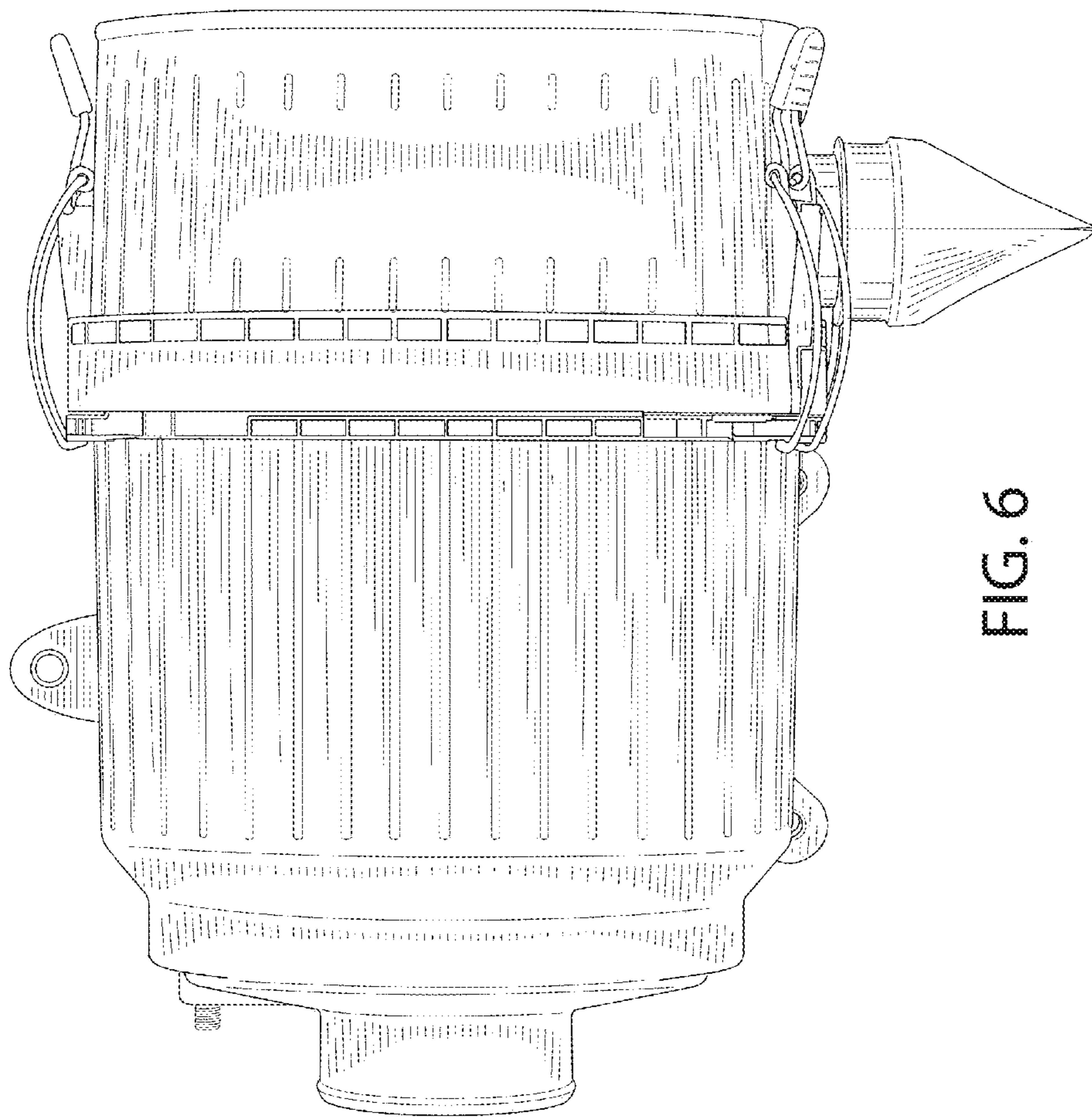


FIG. 6

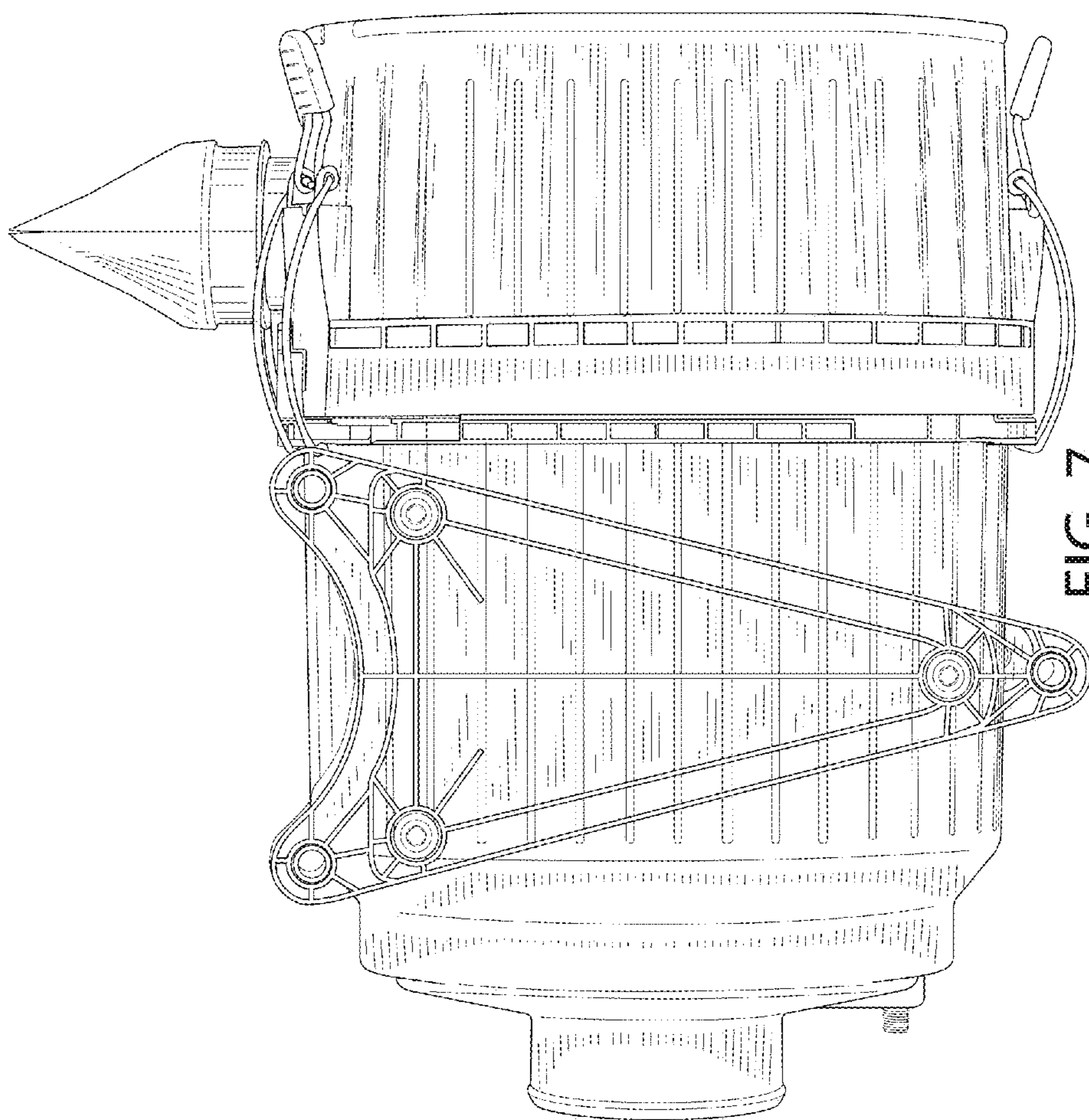


FIG. 7