



US00D762290S

(12) **United States Design Patent**
Jepson et al.

(10) **Patent No.:** **US D762,290 S**
(45) **Date of Patent:** **** Jul. 26, 2016**

(54) **HEATER**

(71) Applicant: **ARTIKA FOR LIVING INC.**, Dorval,
Quebec (CA)

(72) Inventors: **Raymond Jepson**, Roxboro (CA); **Marc
Couture**, Lachine (CA)

(73) Assignee: **ARTIKA FOR LIVING INC.**, Dorval,
Quebec (CA)

(**) Term: **14 Years**

(21) Appl. No.: **29/518,806**

(22) Filed: **Feb. 27, 2015**

(51) **LOC (10) Cl.** **23-03**

(52) **U.S. Cl.**
USPC **D23/342**

(58) **Field of Classification Search**
USPC D23/314, 317, 329, 330, 332, 342, 341,
D23/339, 338, 335, 343, 344, 345, 350, 404,
D23/398, 405; 126/500, 520, 544, 247, 25 R,
126/37 B, 41 R, 50, 512, 513, 543, 305, 306;
362/231; 431/125, 126, 253;
D14/125-134, 239, 371, 136, 374-377,
D14/400, 450, 448, 336, 342, 159
CPC F24H 3/00; F24H 3/002; F24H 9/02;
F24B 1/192; F24B 1/191; F24B 1/18; F24B
1/181; F24B 1/182; F24B 1/195; F24B 3/00;
F24B 7/06; F24B 13/00; F24C 5/00; F24C
7/006; F24C 7/004
See application file for complete search history.

(56) **References Cited**

U.S. PATENT DOCUMENTS

D558,865 S * 1/2008 Yoo D23/351
D560,786 S * 1/2008 Yoo D23/351

D621,016 S * 8/2010 Garcia D23/330
D658,749 S * 5/2012 Crowe D23/343
D665,897 S * 8/2012 Martin D23/405
D673,129 S * 12/2012 Kumano D14/126
D683,003 S * 5/2013 Cinier D23/330
D691,251 S * 10/2013 Couture D23/342
D726,295 S * 4/2015 Kim D23/351
D738,880 S * 9/2015 Hwangbo D14/374
D738,881 S * 9/2015 Hwangbo D14/374
2008/0216366 A1 * 9/2008 Purton G09F 19/12
40/428
2009/0310340 A1 * 12/2009 Betz F24C 7/105
362/183
2012/0216796 A1 * 8/2012 Benedetti F24C 3/006
126/547
2014/0355967 A1 * 12/2014 Chu F24H 3/002
392/373

* cited by examiner

Primary Examiner — T. Chase Nelson

Assistant Examiner — Ania Aman

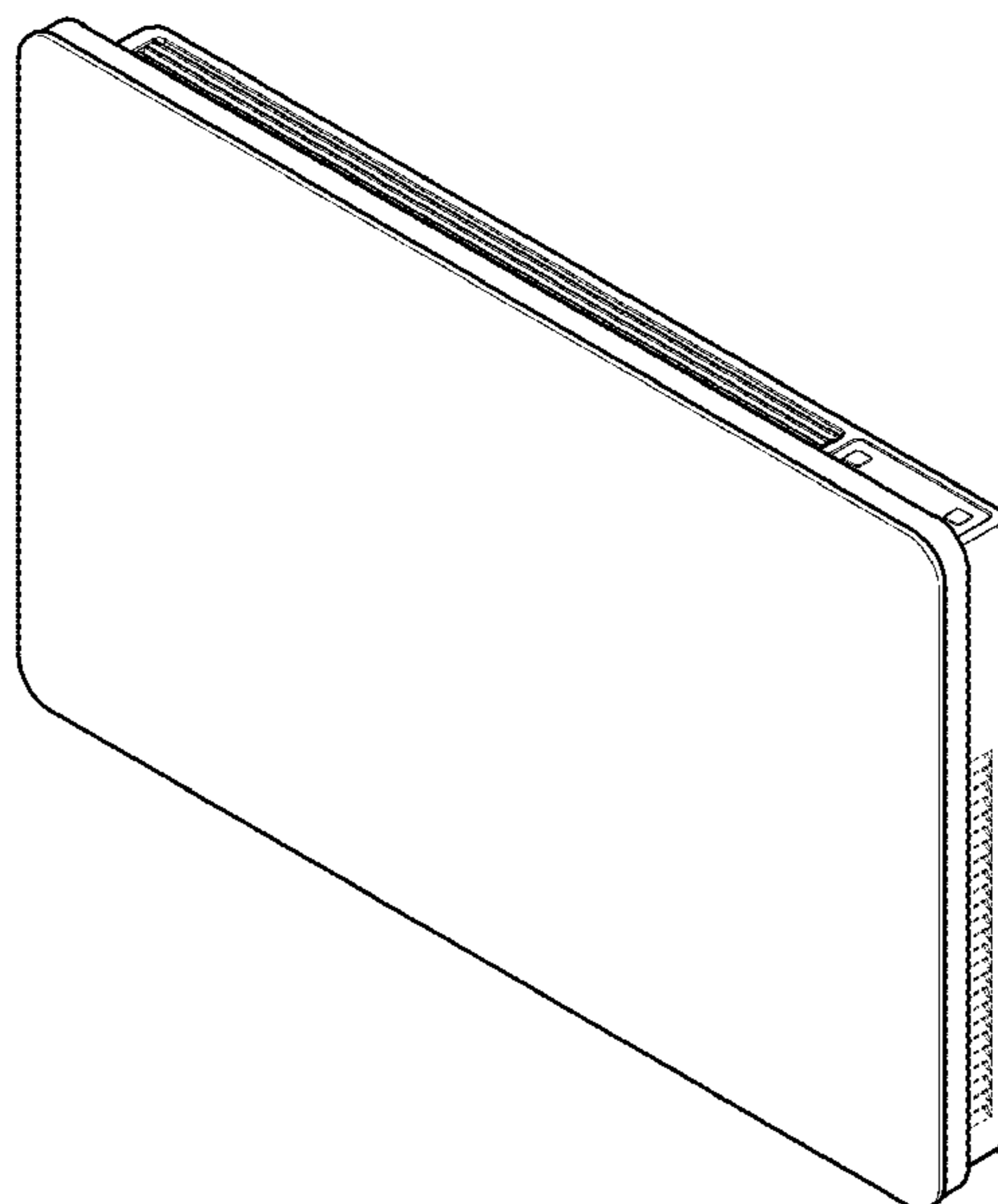
(74) *Attorney, Agent, or Firm* — Robert Brouillette;
Brouillette & Partners

(57) **CLAIM**
The ornamental design for a heater, as shown.

DESCRIPTION

FIG. 1 is a front perspective view of the heater;
FIG. 2 is a rear perspective view of the heater;
FIG. 3 is a rear view of the heater;
FIG. 4 is a top view of the heater;
FIG. 5 is a left side view of the heater;
FIG. 6 is a front view of the heater;
FIG. 7 is a right side view of the heater; and,
FIG. 8 is a bottom view of the heater.
The broken lines are for environmental purposes only and
form no part of the claimed design.

1 Claim, 8 Drawing Sheets



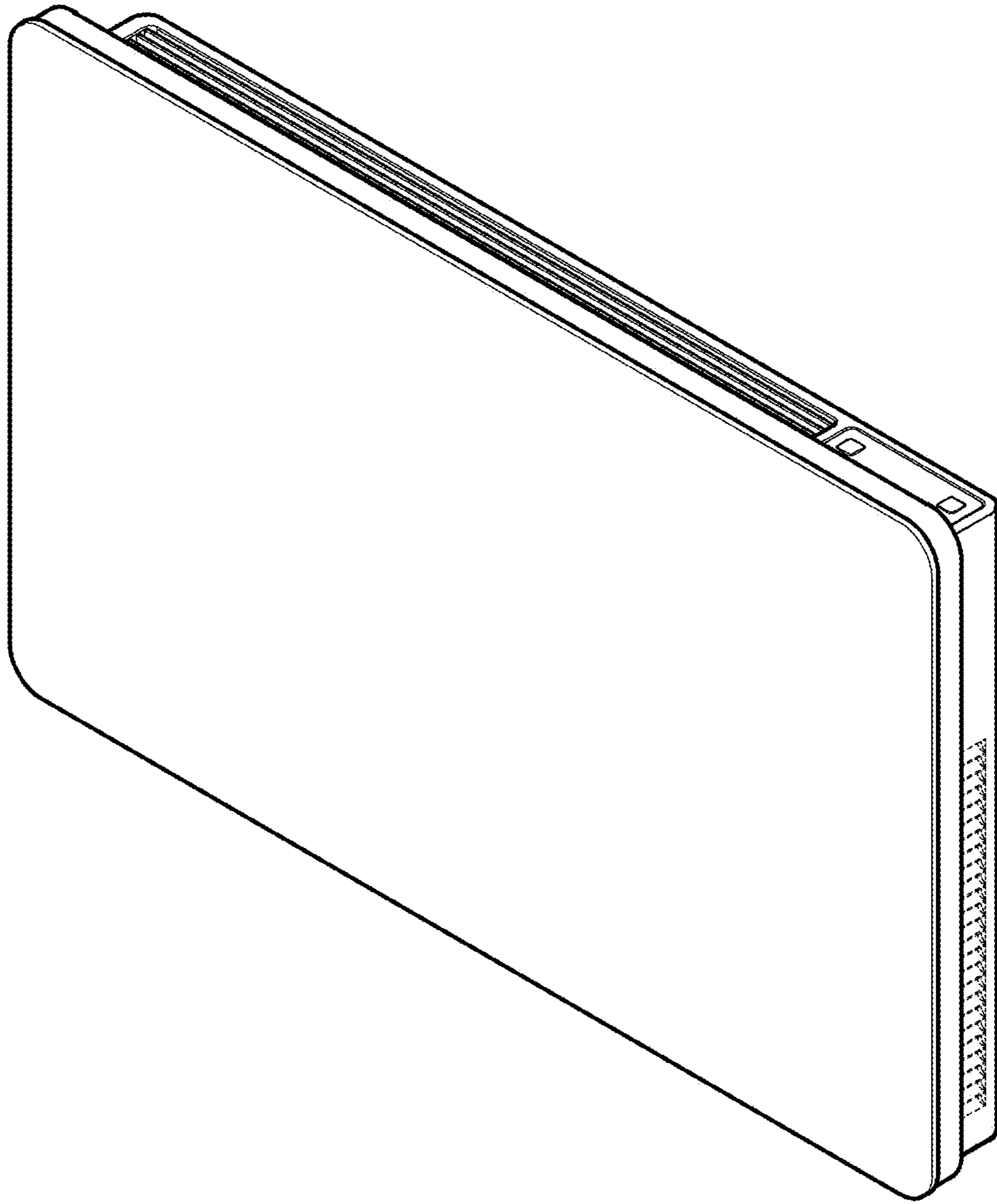


FIG. 1

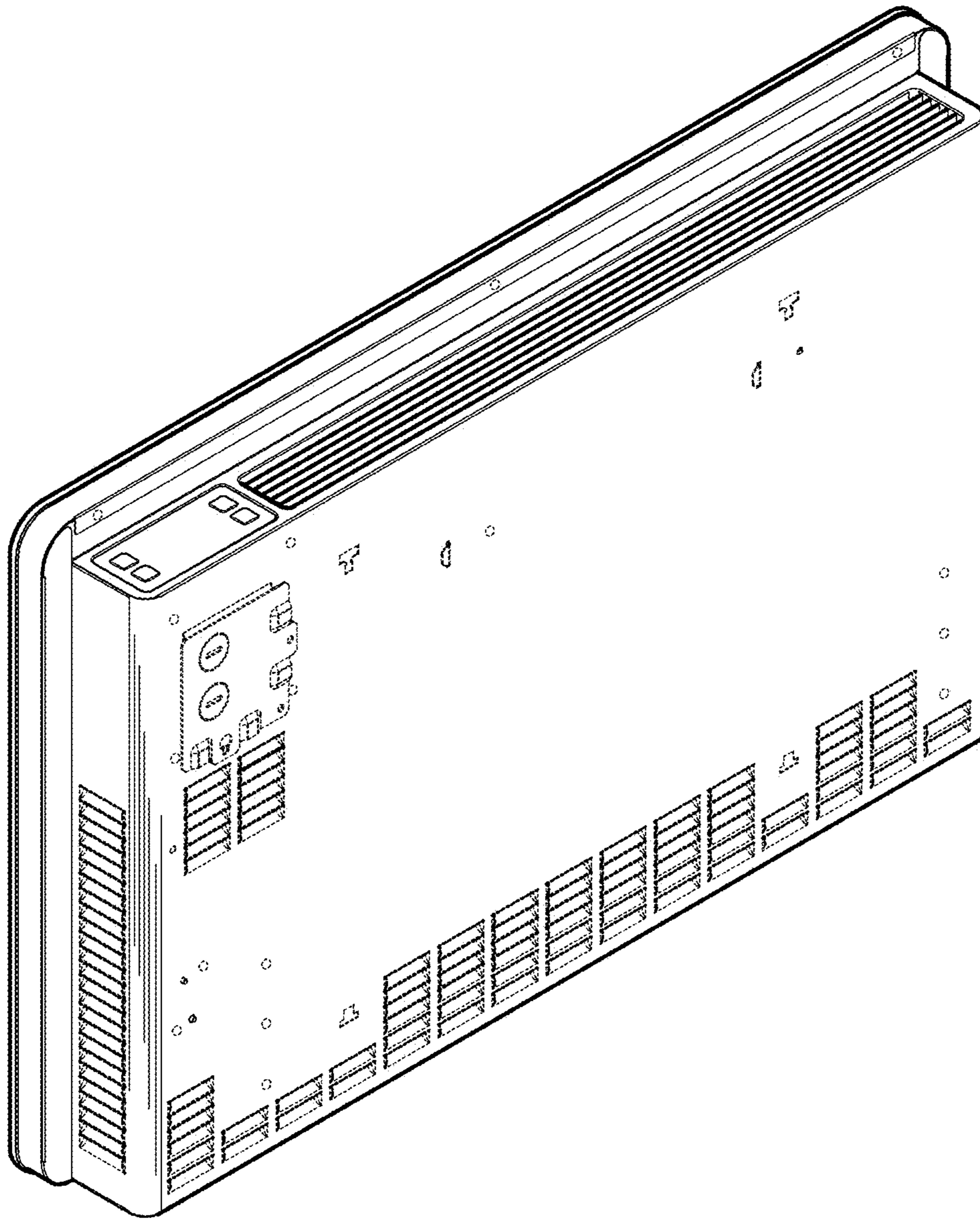


FIG. 2

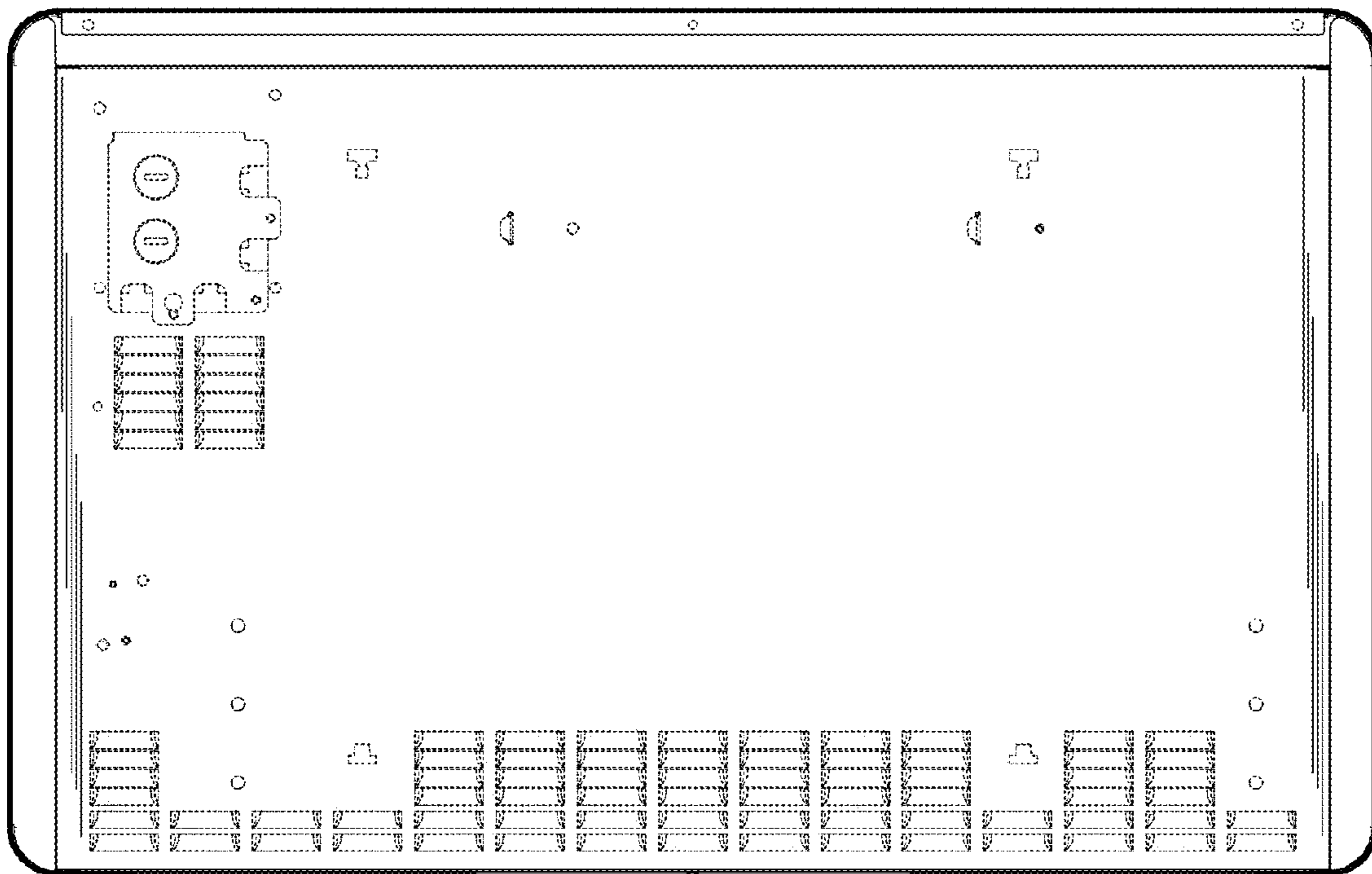


FIG. 3

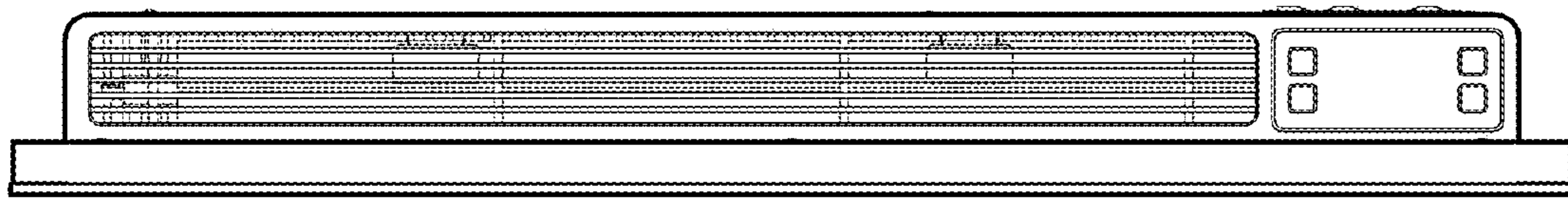


FIG. 4

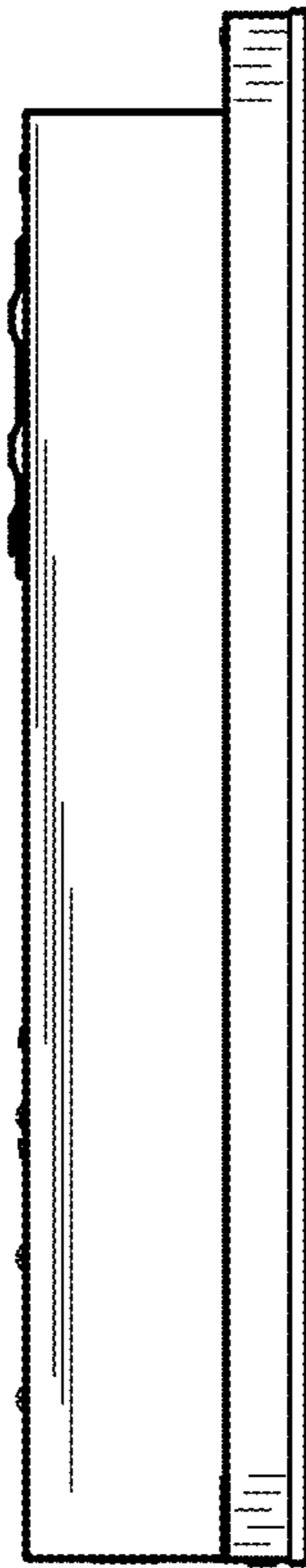


FIG. 5

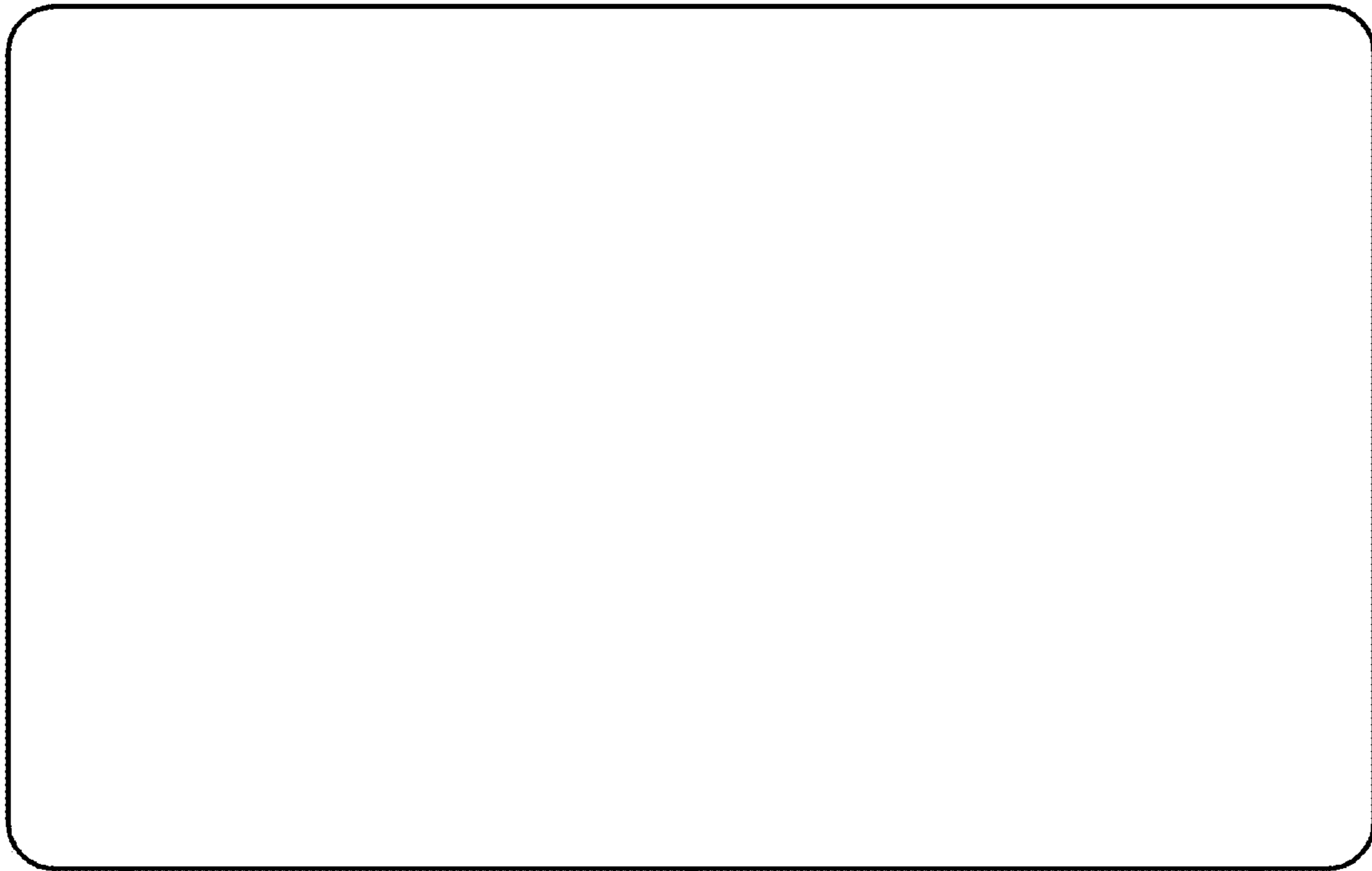


FIG. 6

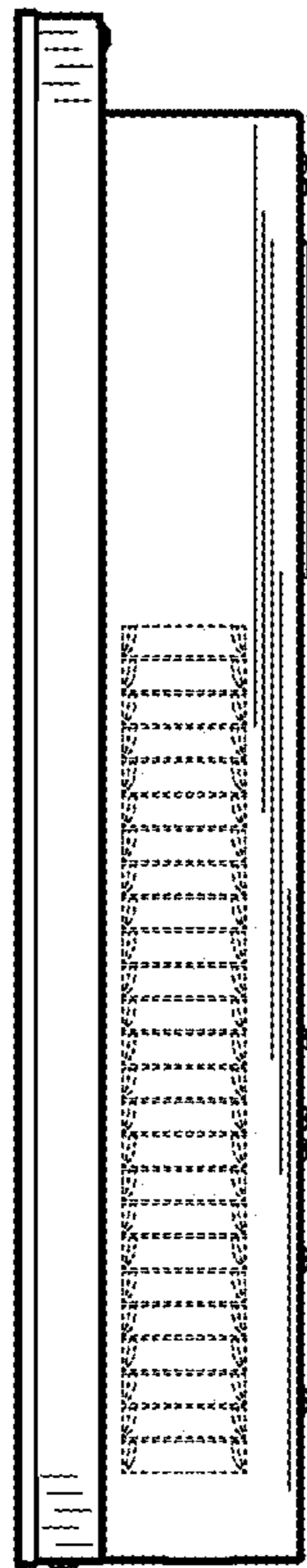


FIG. 7

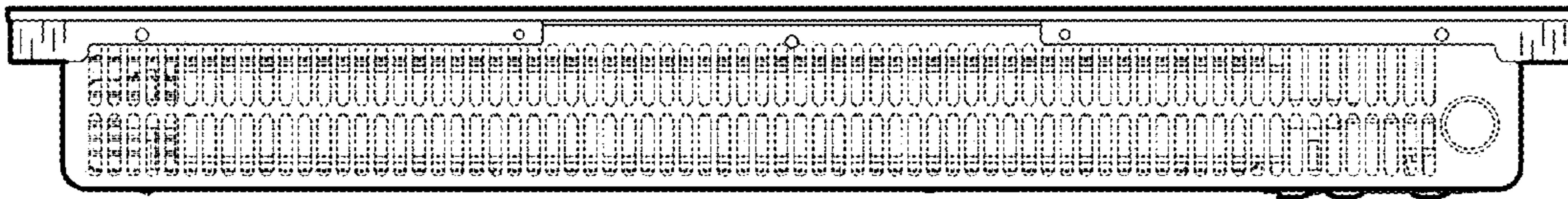


FIG. 8