



US00D762287S

(12) **United States Design Patent**
Flowers et al.

(10) **Patent No.:** **US D762,287 S**
(45) **Date of Patent:** **** *Jul. 26, 2016**

- (54) **BASIN MIXER**
- (71) Applicant: **Grohe AG**, Hemer (DE)
- (72) Inventors: **Paul Flowers**, London (GB); **Jochen Allard**, Menden (DE)
- (73) Assignee: **Grohe AG**, Hemer (DE)
- (*) Notice: This patent is subject to a terminal disclaimer.
- (**) Term: **14 Years**
- (21) Appl. No.: **29/524,388**
- (22) Filed: **Apr. 20, 2015**
- (30) **Foreign Application Priority Data**
 - Oct. 20, 2014 (EM) 002560276-0006
- (51) **LOC (10) Cl.** **23-01**
- (52) **U.S. Cl.**
USPC **D23/238**
- (58) **Field of Classification Search**
 - USPC D23/238-243, 249, 255, 257, 250, 252
 - CPC E03C 1/04; E03C 1/0401; E03C 1/0402; E03C 1/0404

See application file for complete search history.

- (56) **References Cited**
 - U.S. PATENT DOCUMENTS
 - D478,966 S * 8/2003 Citterio D23/238
 - D479,739 S * 9/2003 Citterio D23/238
 - D503,217 S * 3/2005 Aubry D23/238
 - D514,198 S * 1/2006 Starck D23/238
 - D517,169 S * 3/2006 Ogata D23/238
 - D517,651 S * 3/2006 Theberge D23/238

- D522,092 S * 5/2006 Hoernig D23/238
- D525,342 S * 7/2006 Starck D23/238
- D541,906 S * 5/2007 Qing D23/238
- D575,849 S * 8/2008 Ko D23/238
- D583,907 S * 12/2008 Citterio D23/238
- D588,233 S * 3/2009 Zetsche D23/238
- D598,072 S * 8/2009 Zetsche D23/238
- D601,683 S * 10/2009 Schoenherr D23/328
- D611,575 S * 3/2010 Schoenherr D23/257
- D625,779 S * 10/2010 Sandee D23/238
- D635,649 S * 4/2011 Schoenherr D23/255
- D645,938 S * 9/2011 Ando D23/238
- D645,941 S * 9/2011 Ando D23/242
- D646,757 S * 10/2011 Gessi D23/238
- D659,807 S * 5/2012 Flowers D23/255
- D667,083 S * 9/2012 Romero D23/238
- D680,627 S * 4/2013 Lord D23/255

(Continued)

Primary Examiner — Robert Delehanty

(74) *Attorney, Agent, or Firm* — Muncy, Geissler, Olds & Lowe, P.C.

(57) **CLAIM**

The ornamental design for a basin mixer, as shown and described.

DESCRIPTION

FIG. 1 is a front perspective view of a basin mixer according to the present invention.

FIG. 2 is a left side view of the basin mixer of FIG. 1.

FIG. 3 is a right side view of the basin mixer of FIG. 1.

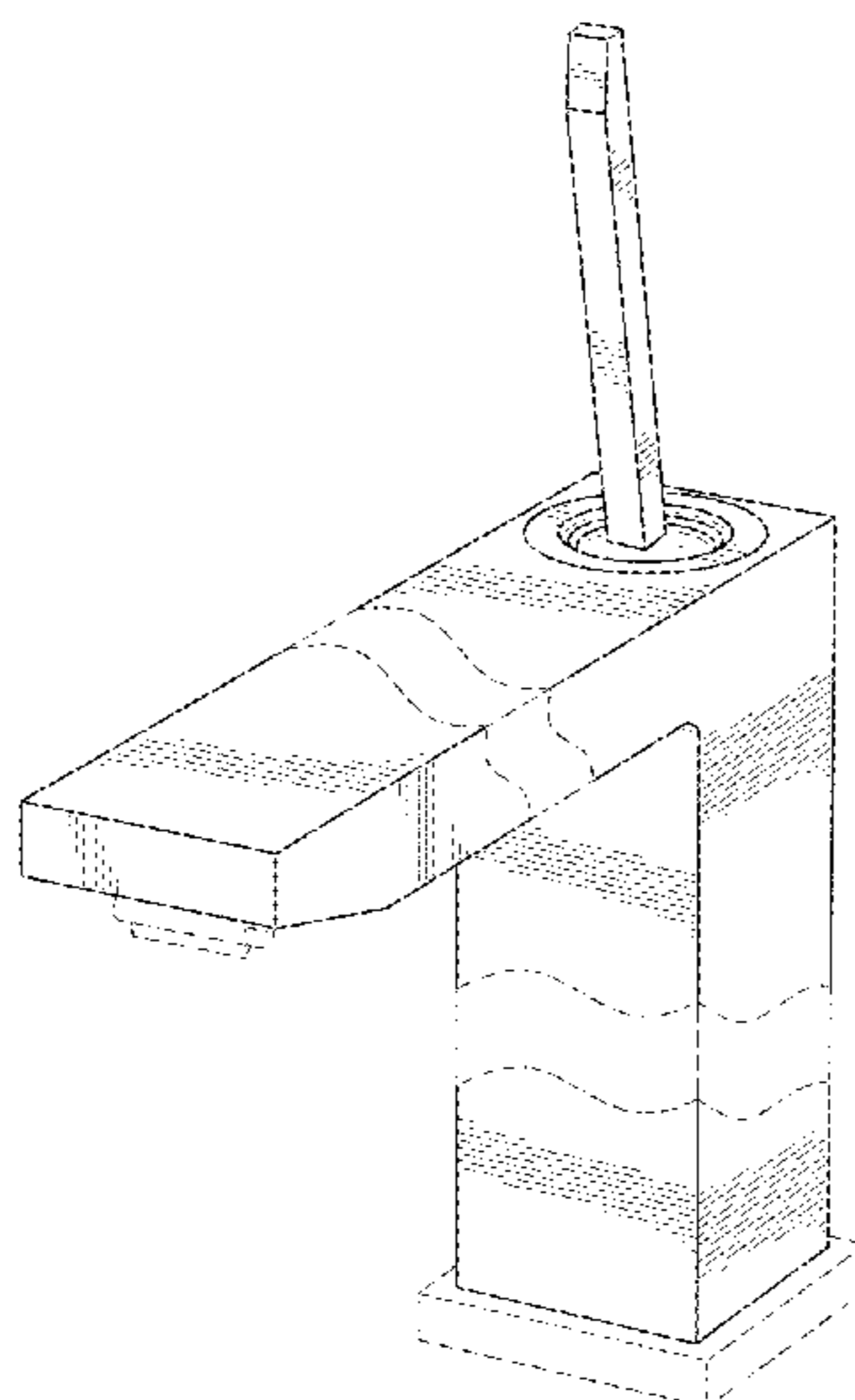
FIG. 4 is a top view of the basin mixer of FIG. 1.

FIG. 5 is a bottom view of the basin mixer of FIG. 1.

FIG. 6 is a front view of the basin mixer of FIG. 1; and, FIG. 7 is a rear view of the basin mixer of FIG. 1.

The dashed lines illustrate environment that does not form a part of the present invention, and no claim is made to the material illustrated with dashed lines.

1 Claim, 7 Drawing Sheets



US D762,287 S

Page 2

(56)

References Cited

U.S. PATENT DOCUMENTS

| | | | | |
|--------------|--------|-----------------|---------|---------------------|
| D701,592 S * | 3/2014 | Zhenqiang | D23/238 | |
| D708,715 S * | 7/2014 | Citterio | D23/238 | * cited by examiner |
| D712,514 S * | 9/2014 | Citterio | D23/238 | |
| D713,008 S * | 9/2014 | Citterio | D23/238 | |
| D726,880 S * | 4/2015 | Kington | D23/238 | |

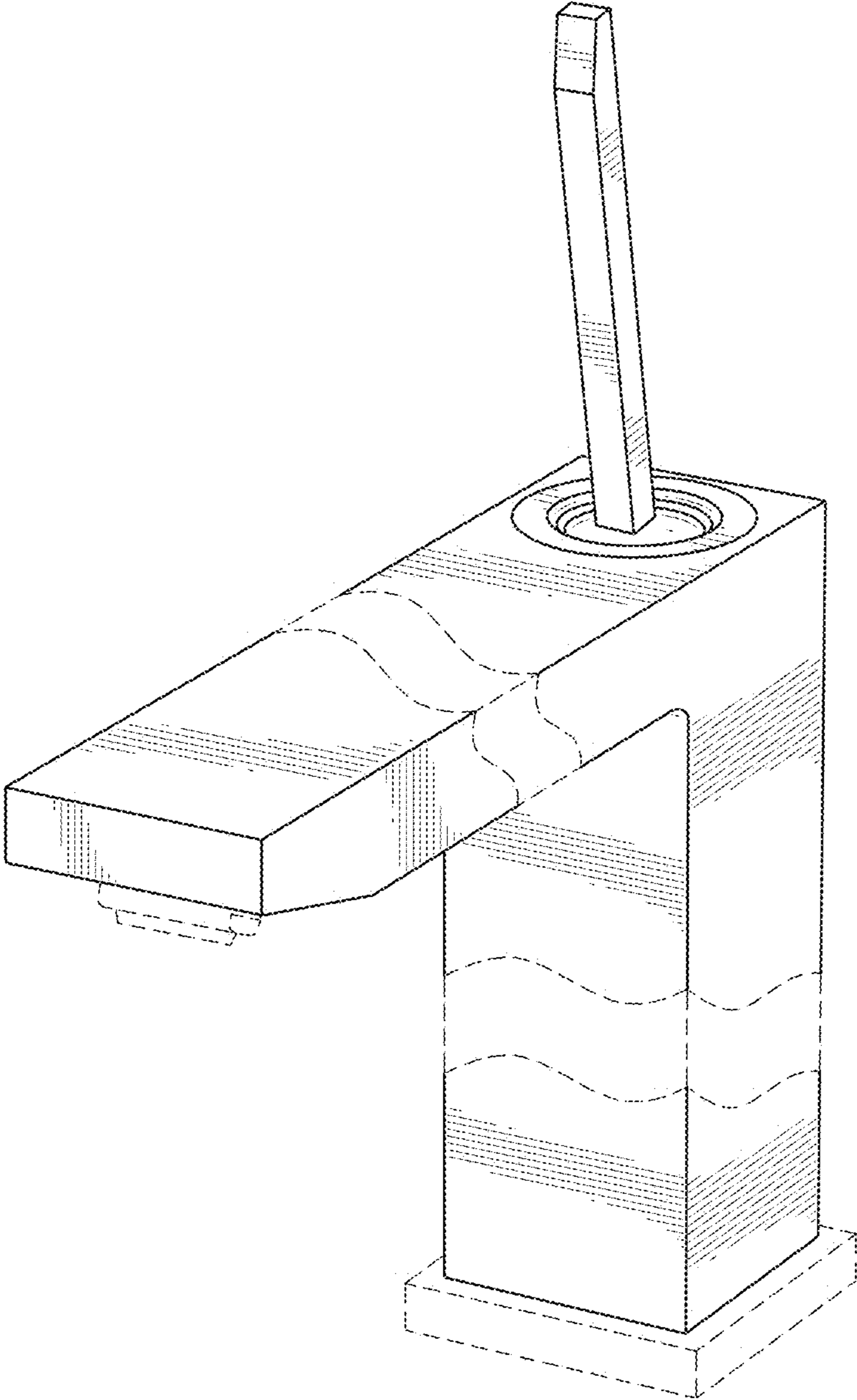


FIG. 1

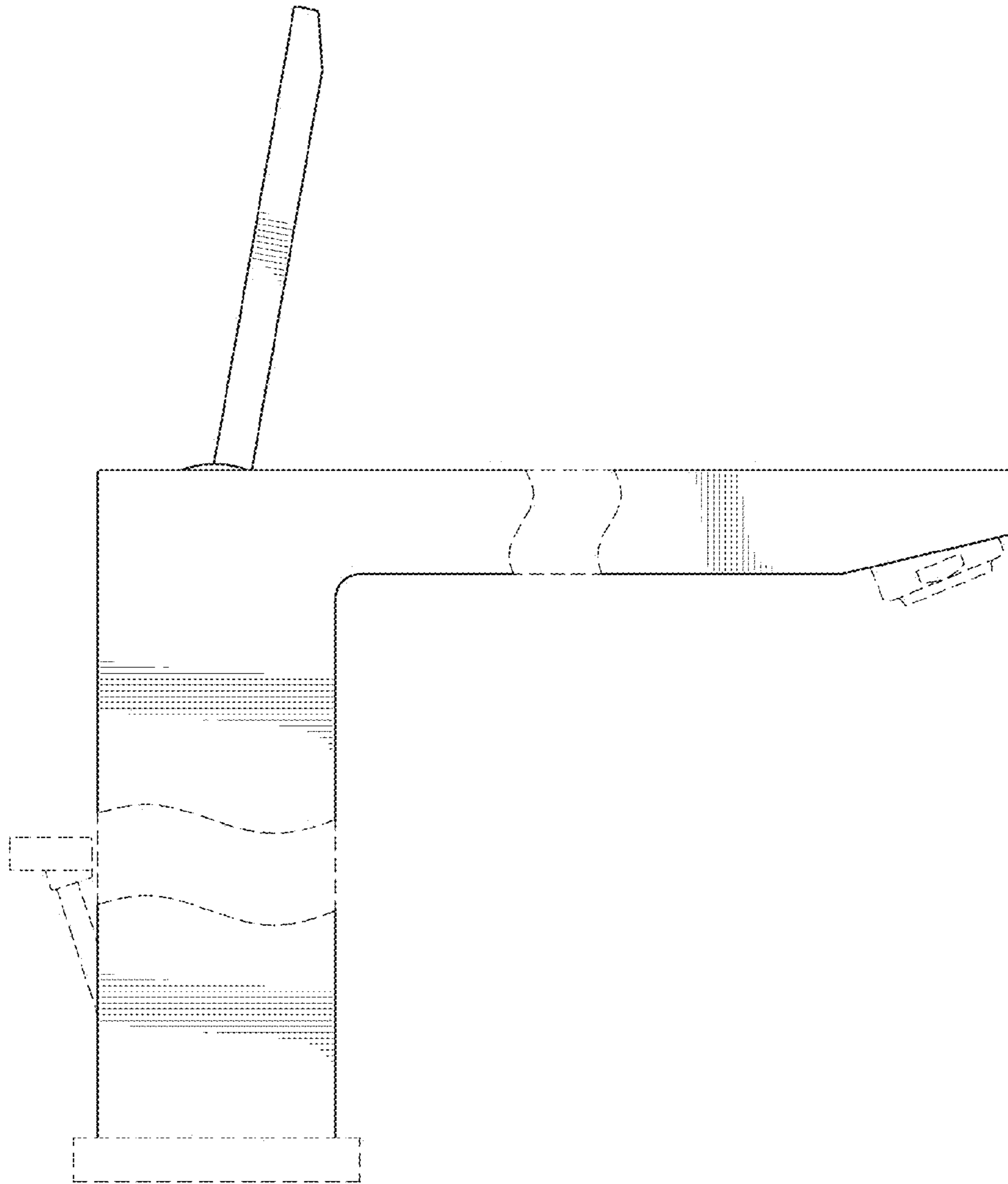


FIG.2

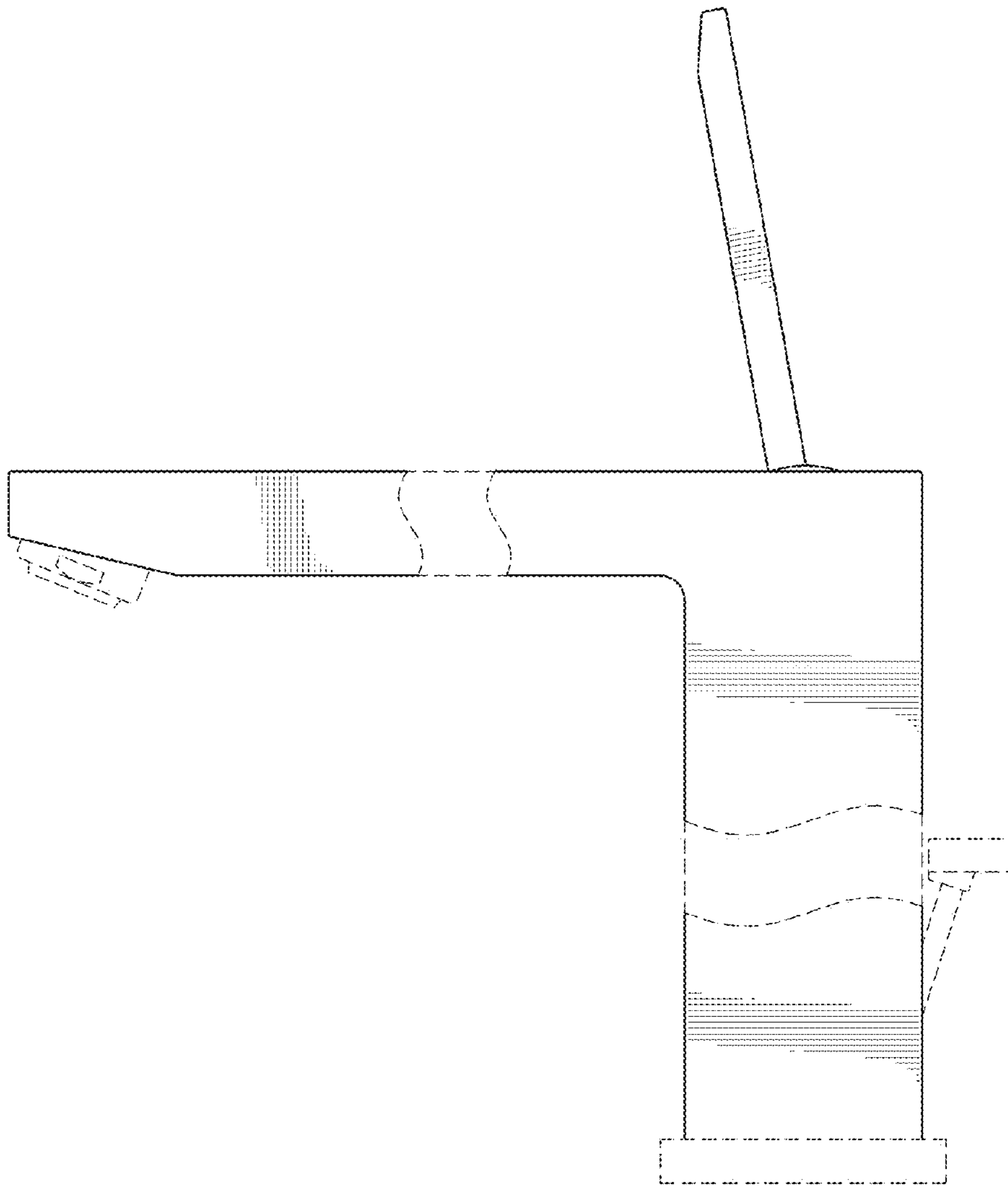


FIG.3

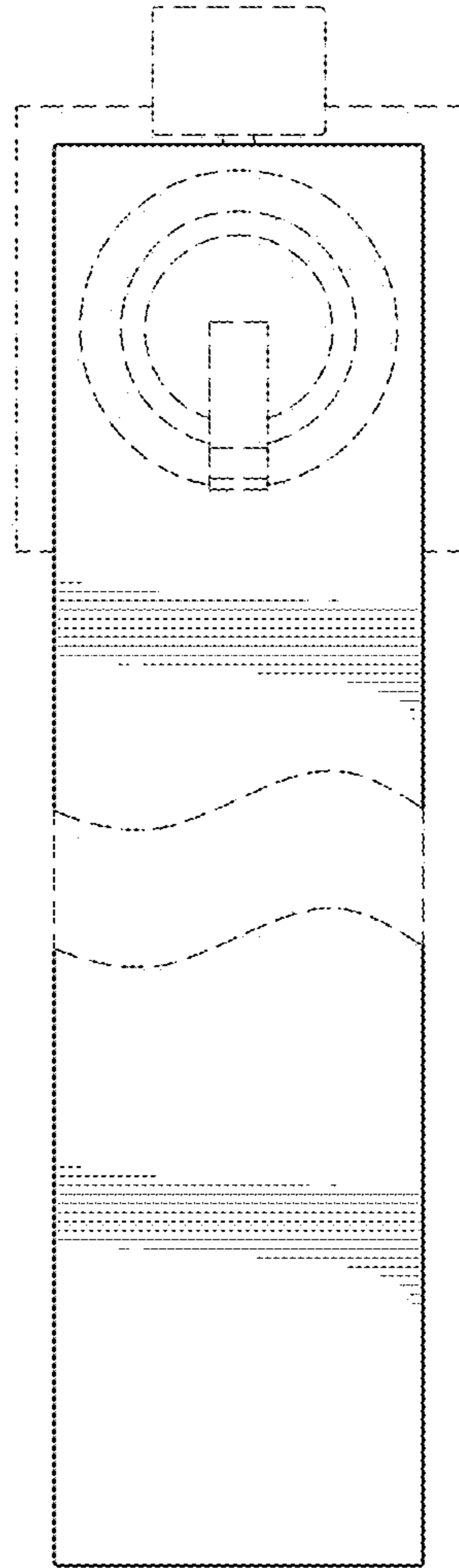


FIG.4

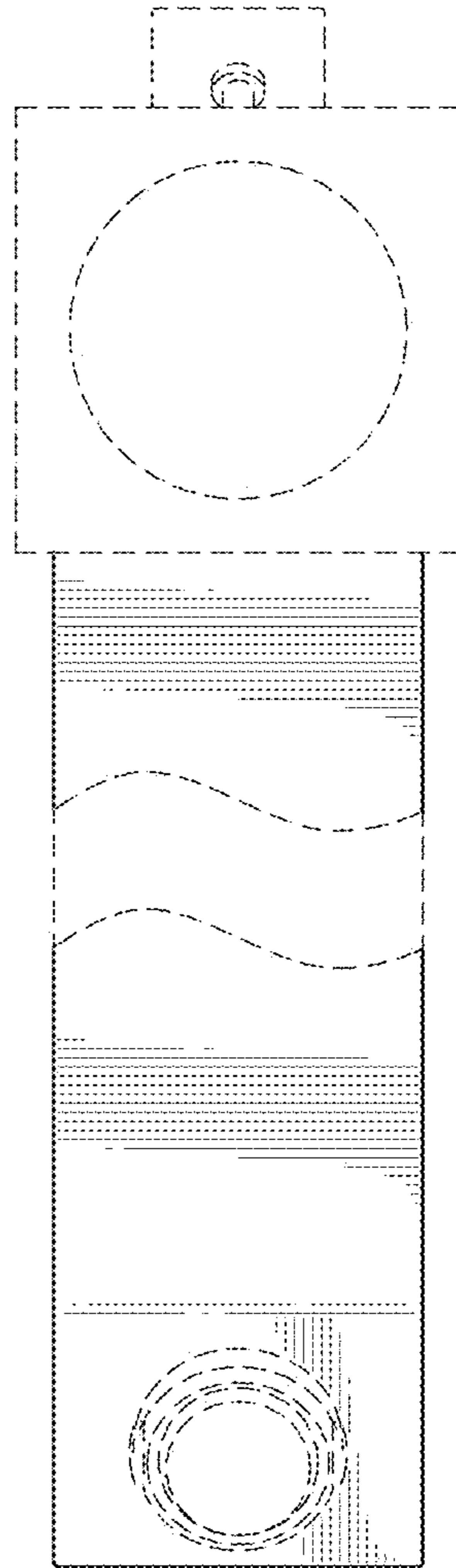


FIG.5

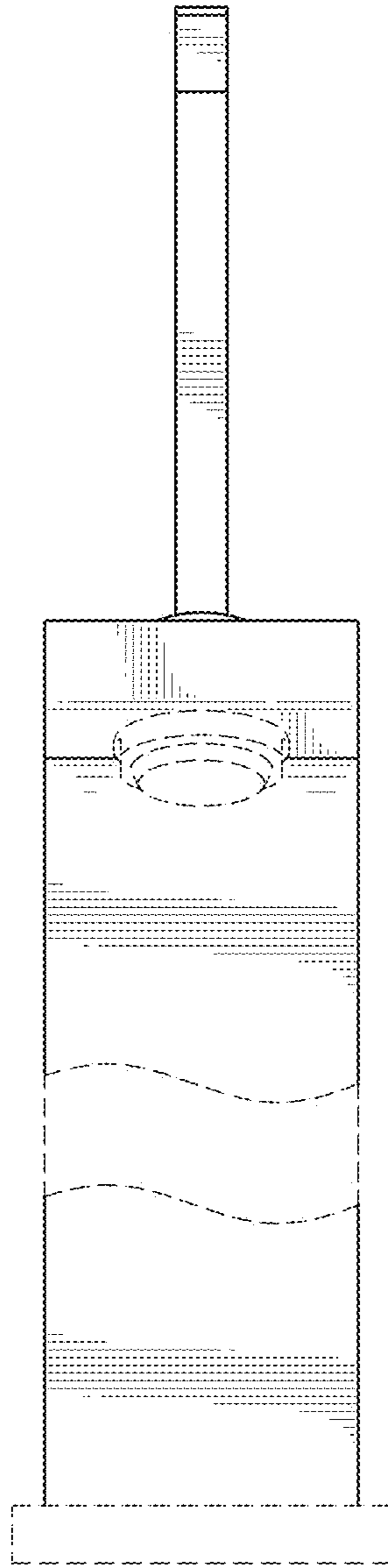


FIG.6

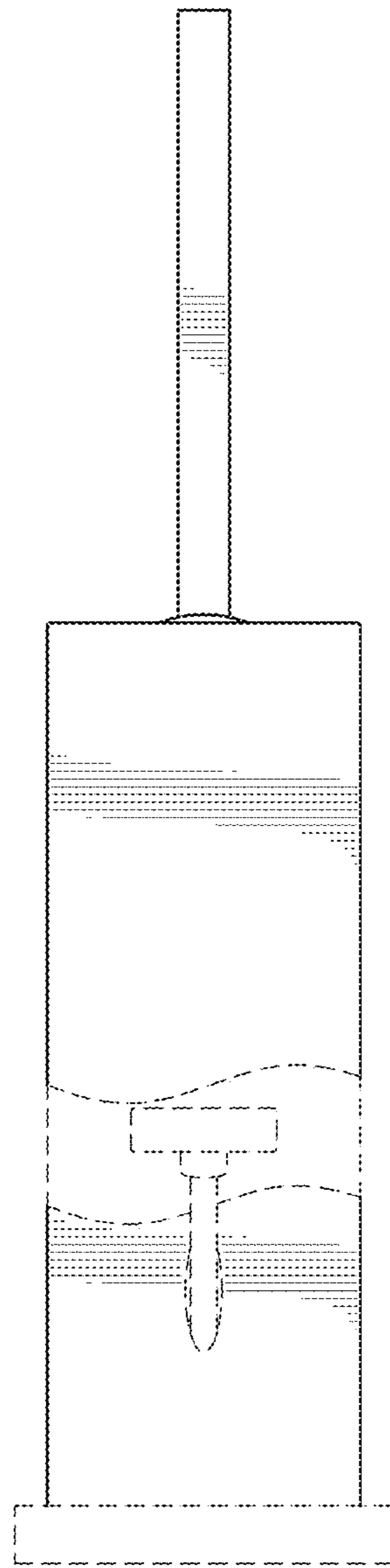


FIG.7