



US00D762284S

(12) **United States Design Patent**
Chiba et al.

(10) **Patent No.:** **US D762,284 S**
(45) **Date of Patent:** **** Jul. 26, 2016**

(54) **VALVE**
(71) Applicant: **Fujikin Incorporated**, Osaka-shi (JP)
(72) Inventors: **Taiji Chiba**, Osaka (JP); **Izuru Shikata**,
Osaka (JP); **Tomohiro Hashizume**,
Kamiina-gun (JP)
(73) Assignee: **Fujikin Incorporated** (JP)

D605,255 S * 12/2009 Lai D23/233
D639,392 S * 6/2011 Yamada D23/233
D699,815 S * 2/2014 Petersen D23/233
D722,362 S * 2/2015 Kluss D23/235
D744,616 S * 12/2015 Sakata D23/235
2011/0233437 A1* 9/2011 Mattson F16K 5/0478
251/309
2013/0048744 A1 2/2013 Fujita et al.
2013/0153039 A1* 6/2013 Deubler F16K 31/122
137/1

(**) Term: **14 Years**
(21) Appl. No.: **29/525,293**
(22) Filed: **Apr. 28, 2015**

FOREIGN PATENT DOCUMENTS

JP 2013-050124 A 3/2013

* cited by examiner

Primary Examiner — Cynthia Ramirez
Assistant Examiner — Gino Colan
(74) *Attorney, Agent, or Firm* — Schwegman, Lundberg &
Woessner, P.A.

(30) **Foreign Application Priority Data**
Oct. 31, 2014 (JP) 2014-024430
(51) **LOC (10) Cl.** **23-01**
(52) **U.S. Cl.**
USPC **D23/235**
(58) **Field of Classification Search**
USPC D23/233–269; 137/398, 545, 54, 549,
137/62, 385, 505.42, 505.12, 318, 15.19,
137/488, 12
CPC F16K 31/122; F16K 7/17; F16K 17/164
See application file for complete search history.

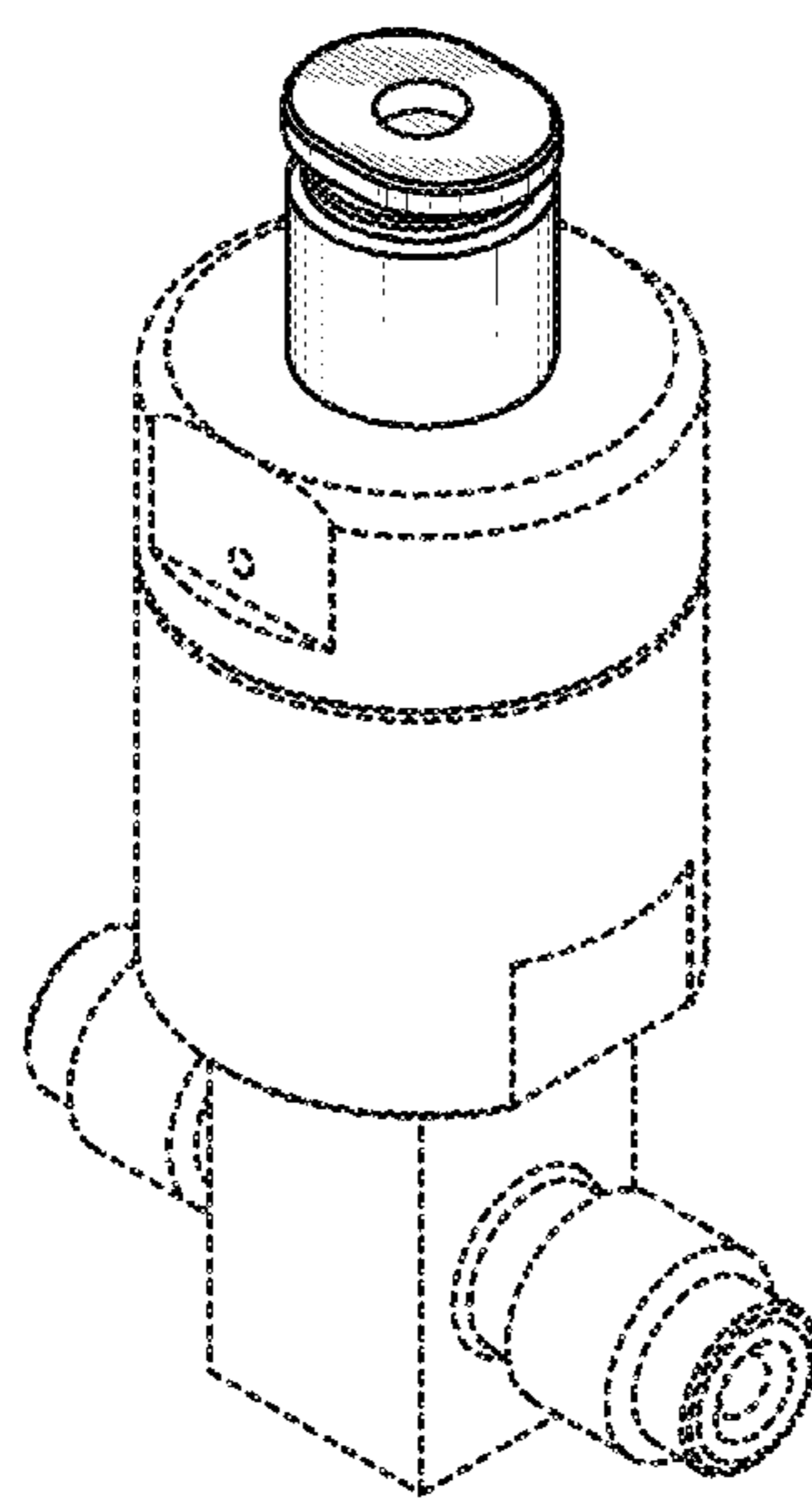
(57) **CLAIM**
The ornamental design for a valve, as shown and described.

DESCRIPTION

FIG. 1 is a front elevational view of a valve showing my new design;
FIG. 2 is a rear elevational view thereof;
FIG. 3 is a right elevational view thereof;
FIG. 4 is a left elevational view thereof;
FIG. 5 is a bottom plan view thereof (with no solid lines visible); and,
FIG. 6 is an oblique perspective view thereof.
The broken lines in the drawings are included for the purpose of illustrating portions of the valve and form no part of the claimed design.

(56) **References Cited**
U.S. PATENT DOCUMENTS
5,522,430 A * 6/1996 Mittersteiner
Urzua F16K 5/0478
137/625.47
6,189,350 B1 * 2/2001 Nishimura F16K 35/10
137/385
D468,806 S * 1/2003 Ripkey D23/233

1 Claim, 6 Drawing Sheets



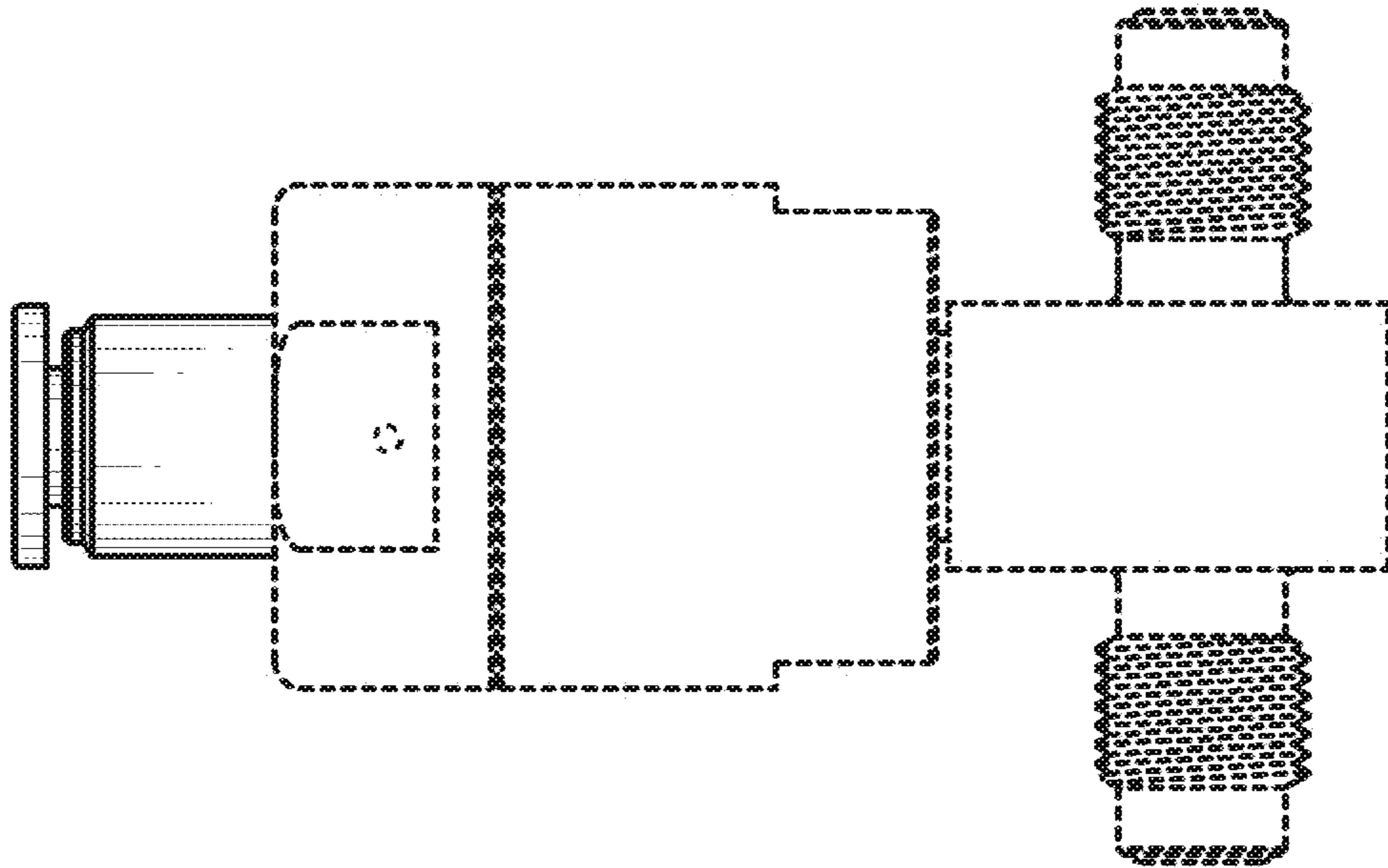
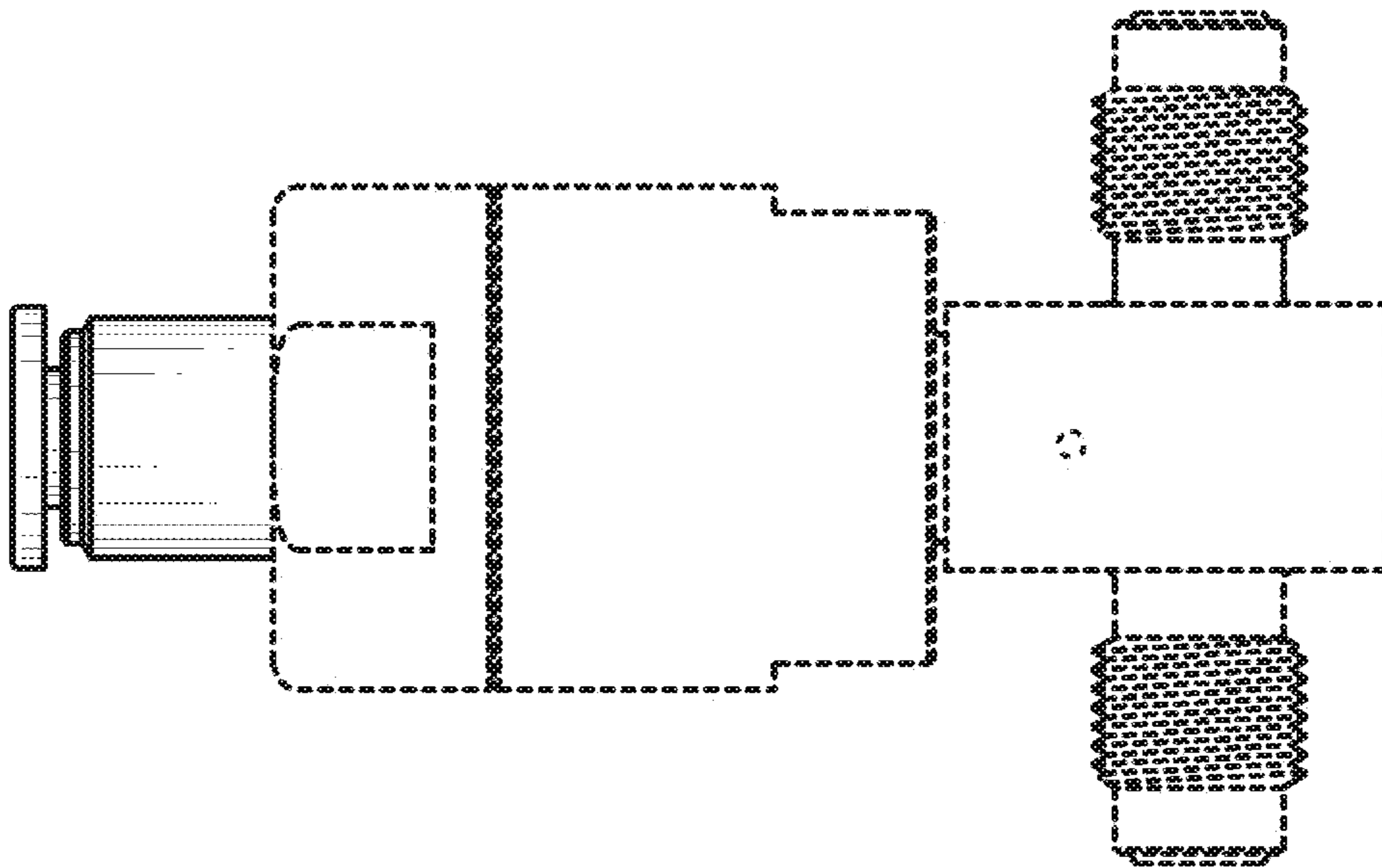


Fig. 1

Fig. 2



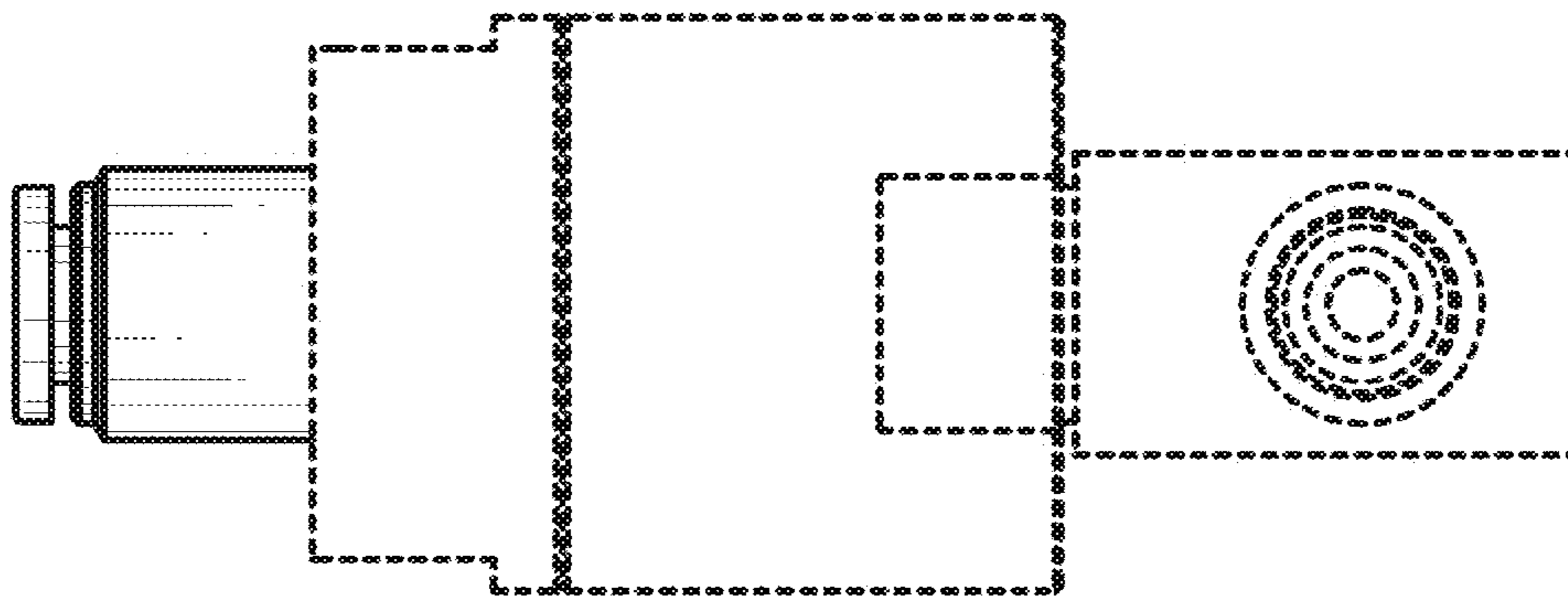


Fig. 3

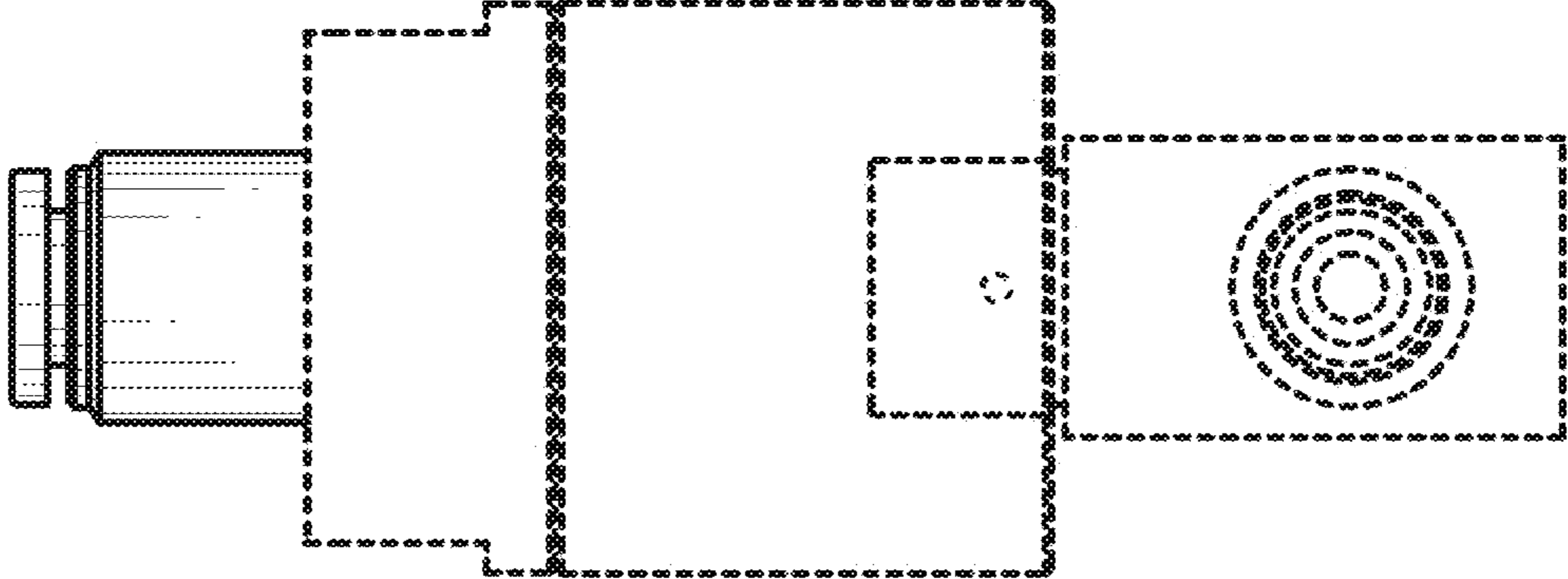


Fig. 4

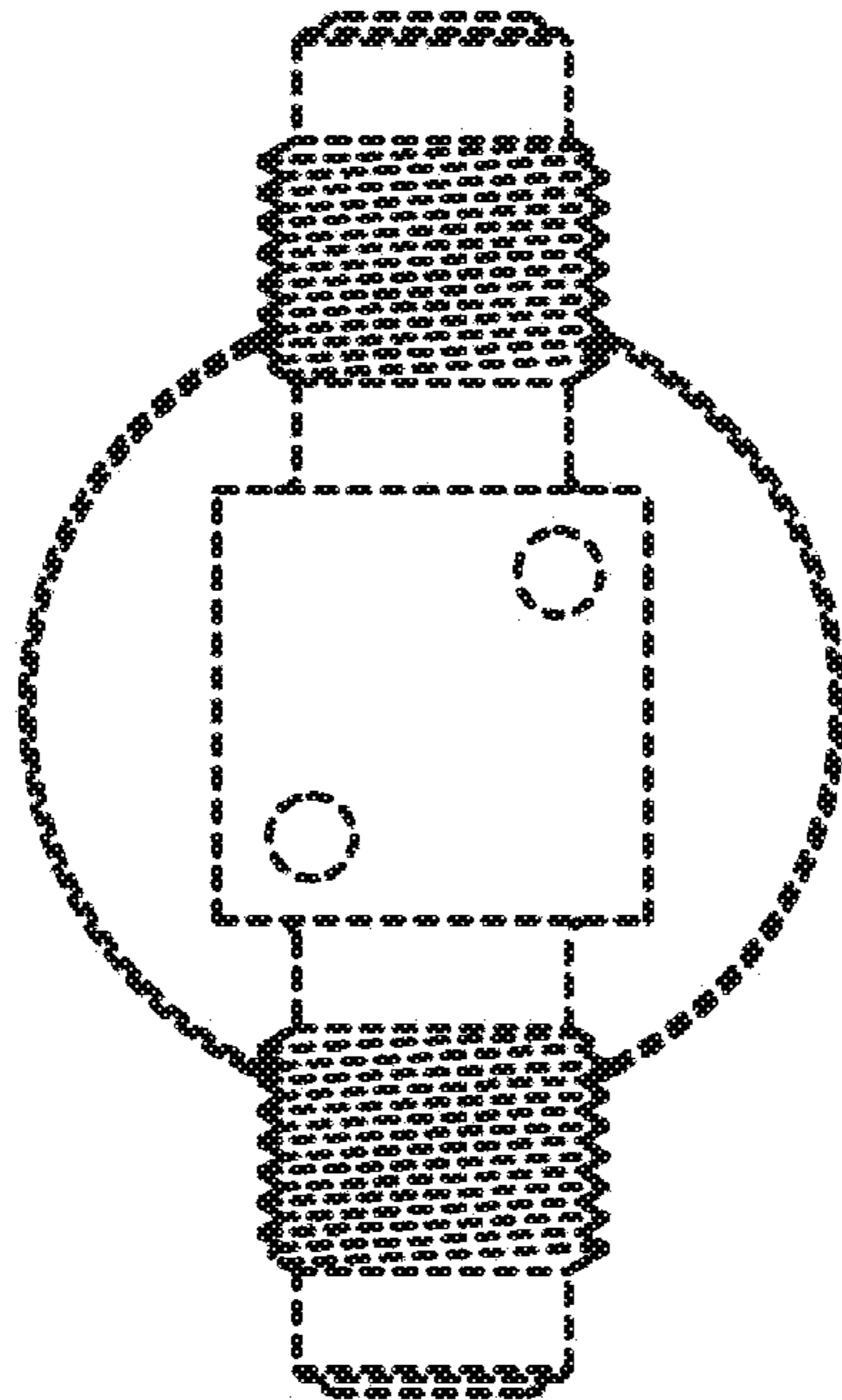


Fig. 5

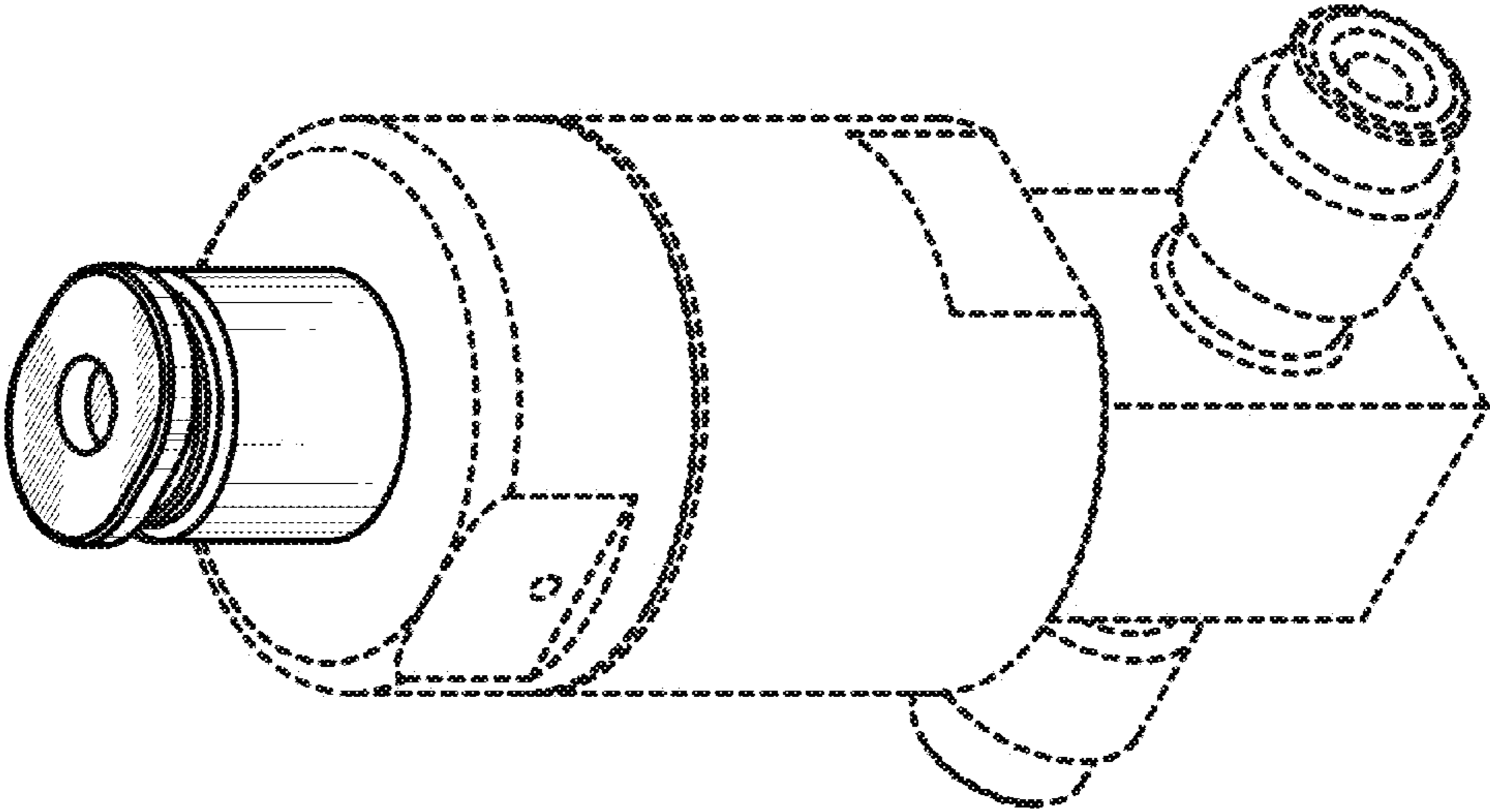


Fig. 6