

US00D762283S

(12) **United States Design Patent**
Guest et al.

(10) **Patent No.:** **US D762,283 S**
(45) **Date of Patent:** **** Jul. 26, 2016**

(54) **SET OF FIRE HYDRANT CONTOURS**

- (71) Applicant: **Mueller International, LLC**, Atlanta, GA (US)
- (72) Inventors: **James Mark Guest**, Rainbow City, AL (US); **Justin Childress**, Albertville, AL (US); **Christopher Joseph Duckett**, Albertville, AL (US); **Gary Wayne Hadley**, Albertville, AL (US); **Zack Snyder**, Southside, AL (US)
- (73) Assignee: **Mueller International, LLC**, Atlanta, GA (US)
- (**) Term: **15 Years**
- (21) Appl. No.: **29/545,306**
- (22) Filed: **Nov. 11, 2015**
- (51) **LOC (10) Cl.** **23-01**
- (52) **U.S. Cl.**
USPC **D23/234**
- (58) **Field of Classification Search**
USPC D23/234; 137/299, 272, 71, 296, 382, 137/800, 527, 15.02, 315.41, 527.8; 220/284, 725, 726; D6/515
CPC F16K 27/006; F16K 35/10
See application file for complete search history.

(56) **References Cited**

U.S. PATENT DOCUMENTS

D190,986 S *	7/1961	Watkins	D23/234
D214,900 S *	8/1969	Page	D23/234
D262,555 S *	1/1982	Skubic	D21/483
D282,109 S *	1/1986	Golden	D23/234
D314,227 S *	1/1991	Christ	D23/215
D328,620 S *	8/1992	Maple	D21/483
6,112,761 A *	9/2000	Scotto	E03B 9/06 137/296
D480,243 S *	10/2003	Edwards	D23/234
D631,134 S *	1/2011	German	D23/234
8,302,623 B1 *	11/2012	Nichols	F16K 15/03 137/283

OTHER PUBLICATIONS

- Guest, James Mark; U.S. Design Application entitled: Fire Hydrant having U.S. Appl. No. 29/545,305, filed Nov. 11, 2015, 5 pgs.
- Guest, James Mark; U.S. Design Application entitled: Fire Hydrant Fluting having U.S. Appl. No. 29/545,299, filed Nov. 11, 2015, 5 pgs.
- James Jones Company; Product Sheet for Hydrant Body—Ductile Iron, Revision C, publicly available prior to Nov. 11, 2015, 1 pg.
- James Jones Company; Product Sheet for Hydrant Body—Ductile Iron, Revision D, publicly available prior to Nov. 11, 2015, 1 pg.
- Mueller Co.; Brochure for Mueller Super Centurion 250 Fire Hydrant, publicly available prior to Nov. 11, 2015, 6 pgs.
- Mueller Co.; Specification Sheet for Mueller Super Centurion Fire Hydrant, publicly available prior to Nov. 11, 2015, 1 pg.
- Guest, James Mark; Non-Final Office Action for U.S. Appl. No. 29/545,305, filed Nov. 11, 2015, mailed May 26, 2016, 12 pgs.
- Guest, James Mark; Notice of Allowance for U.S. Appl. No. 29/545,299, filed Nov. 11, 2015, mailed Jun. 3, 2016, 12 pgs.

* cited by examiner

Primary Examiner — Cynthia Ramirez

Assistant Examiner — Gino Colan

(74) *Attorney, Agent, or Firm* — Taylor English Duma LLP

(57) **CLAIM**

The ornamental design for a set of fire hydrant contours, as shown and described.

DESCRIPTION

FIG. 1 is a perspective view of the claimed design.

FIG. 2 is a front elevation view thereof.

FIG. 3 is a rear elevation view thereof.

FIG. 4 is a right-side elevation view thereof.

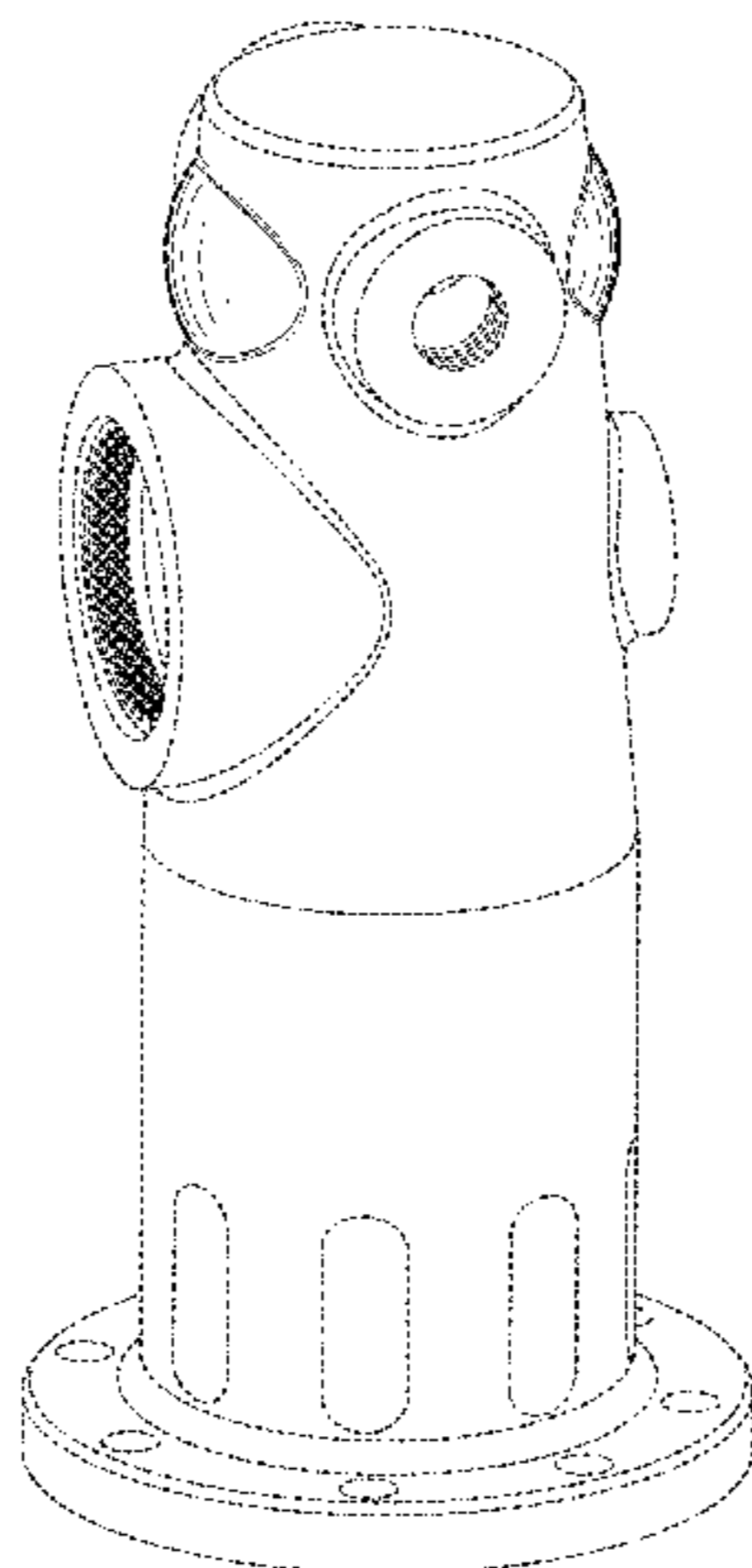
FIG. 5 is a left-side elevation view thereof.

FIG. 6 is a top plan view thereof; and,

FIG. 7 is a bottom plan view thereof.

The broken lines shown in the figures are for the purpose of illustrating environment and form no part of the claimed design.

1 Claim, 4 Drawing Sheets



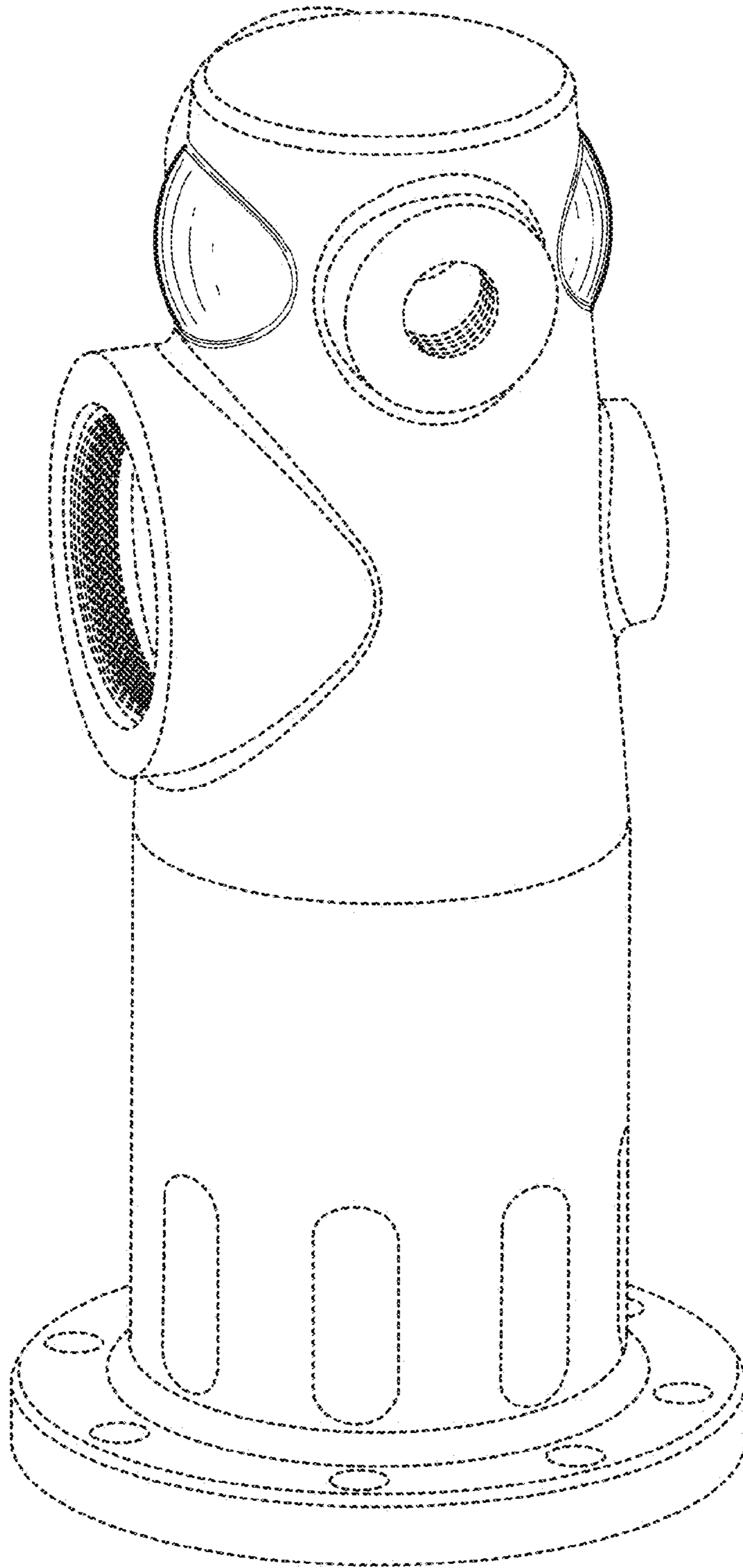


FIG. 1

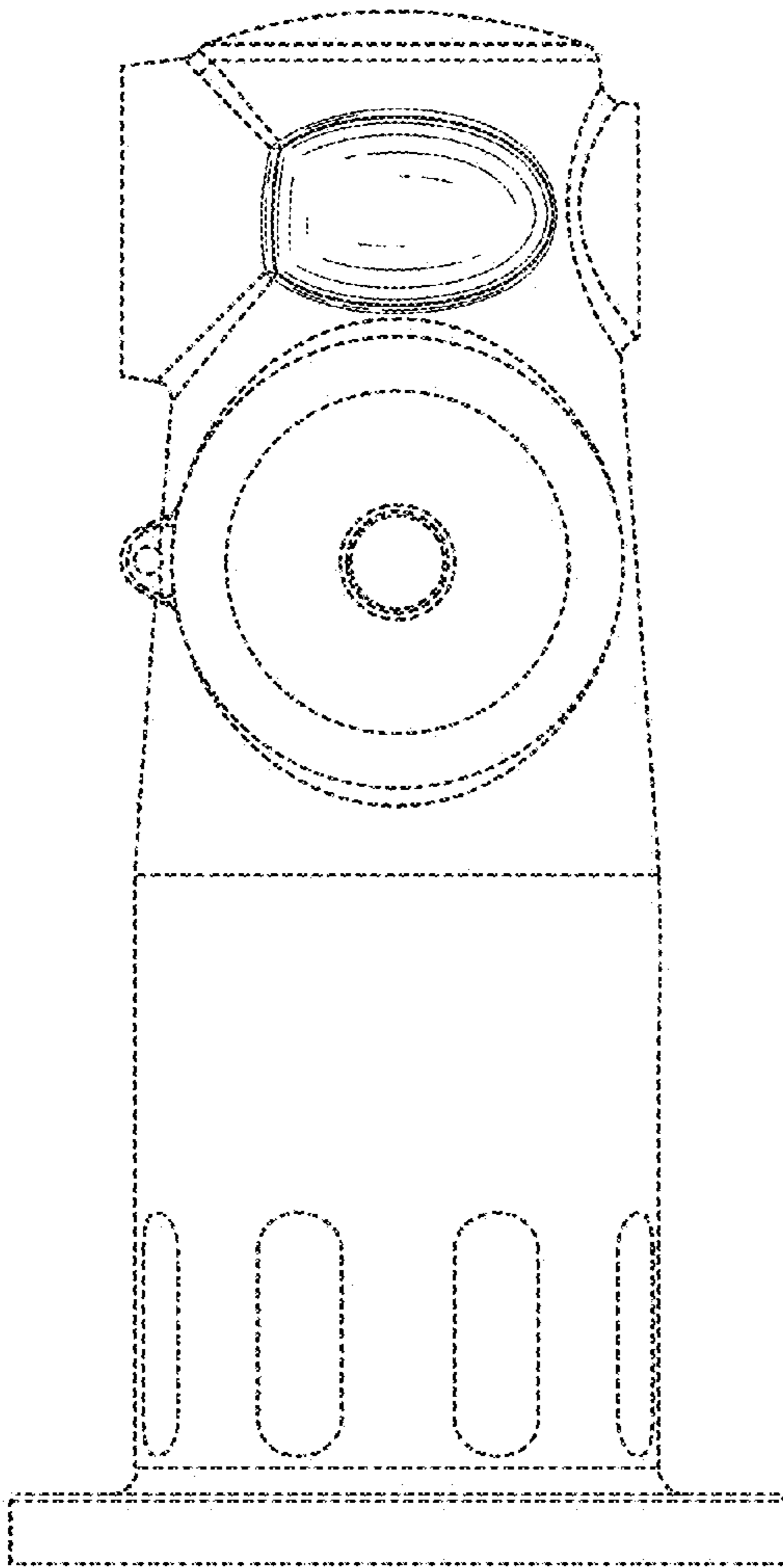


FIG. 2

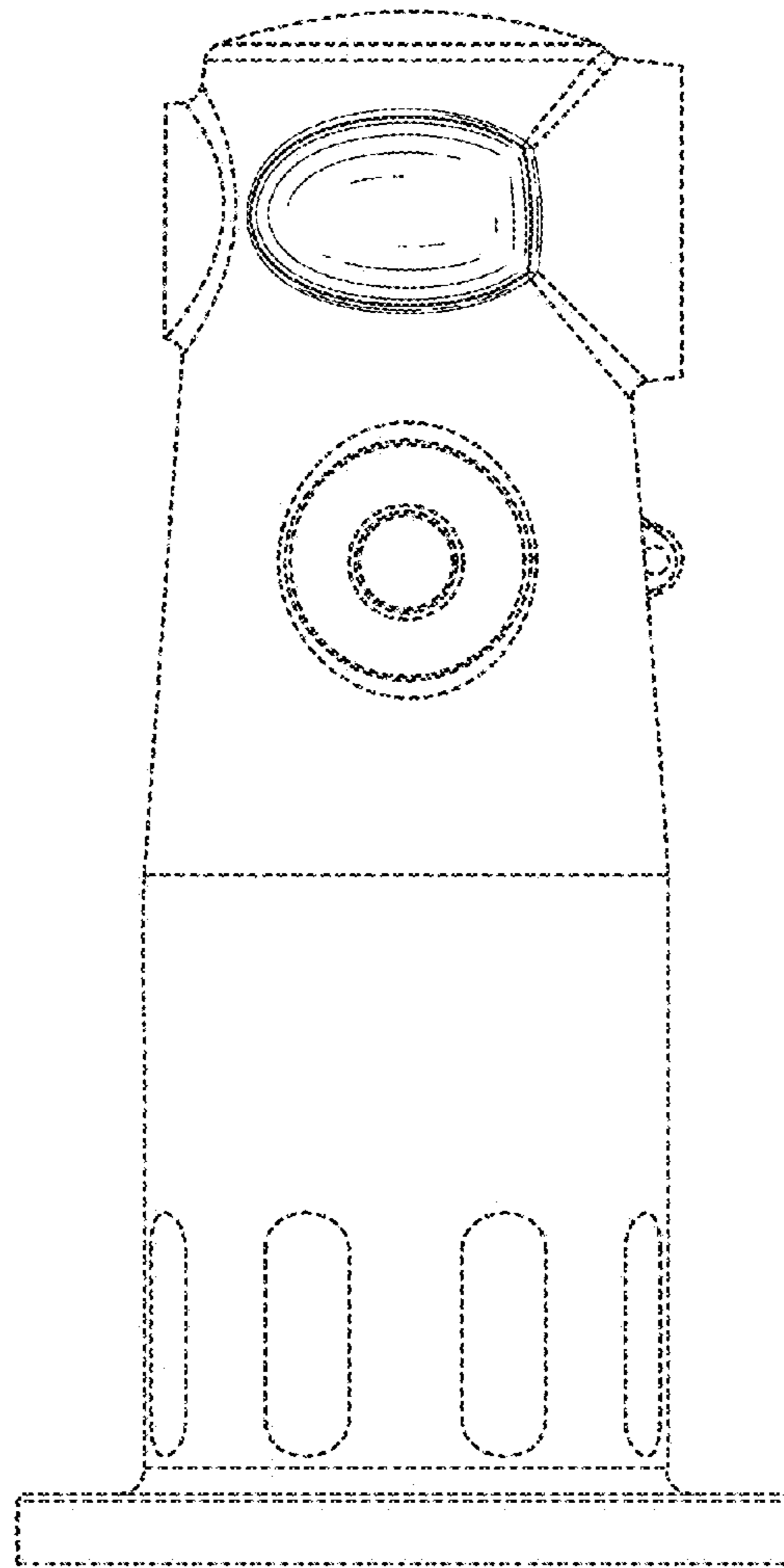


FIG. 3

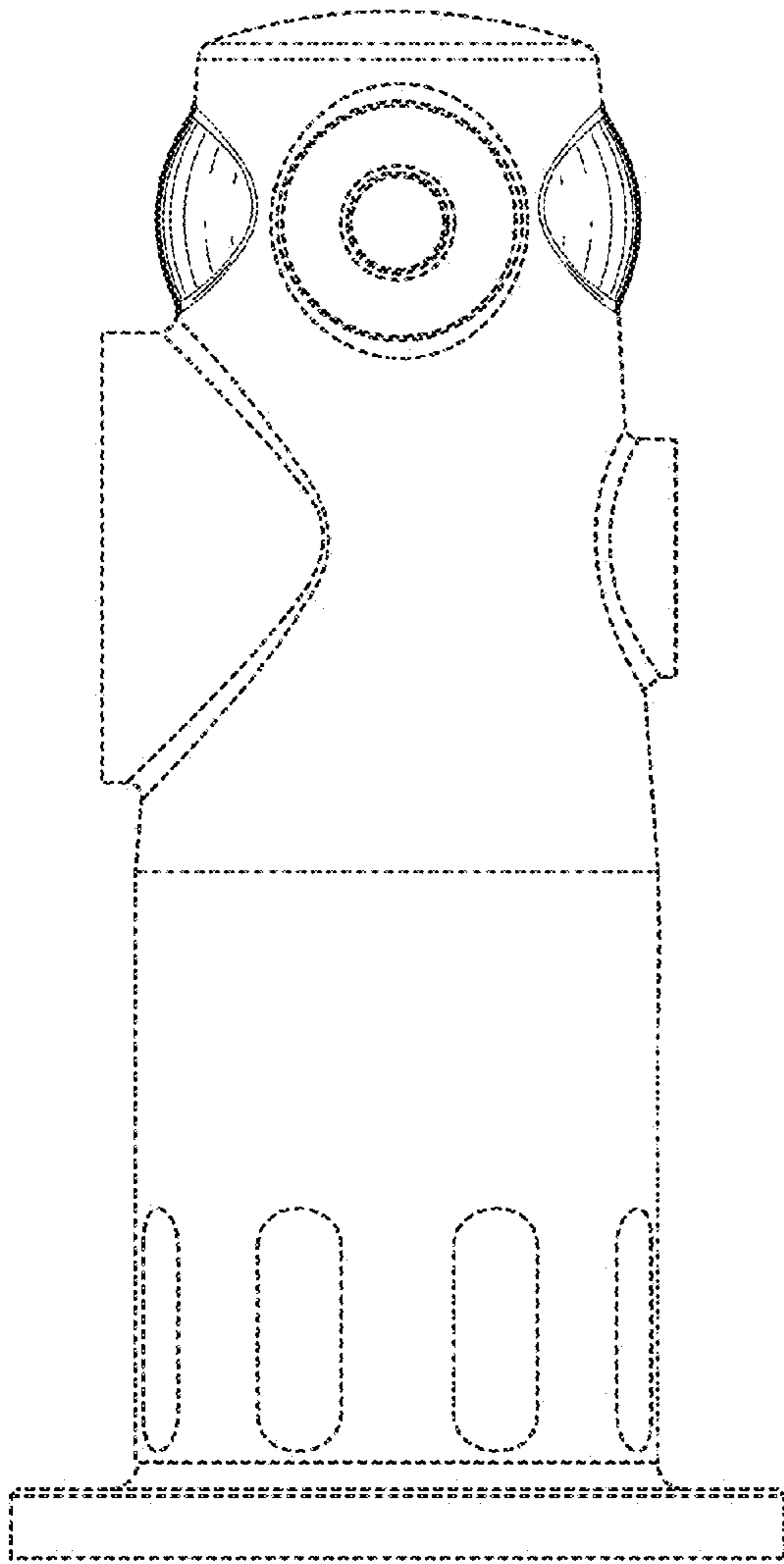


FIG. 4

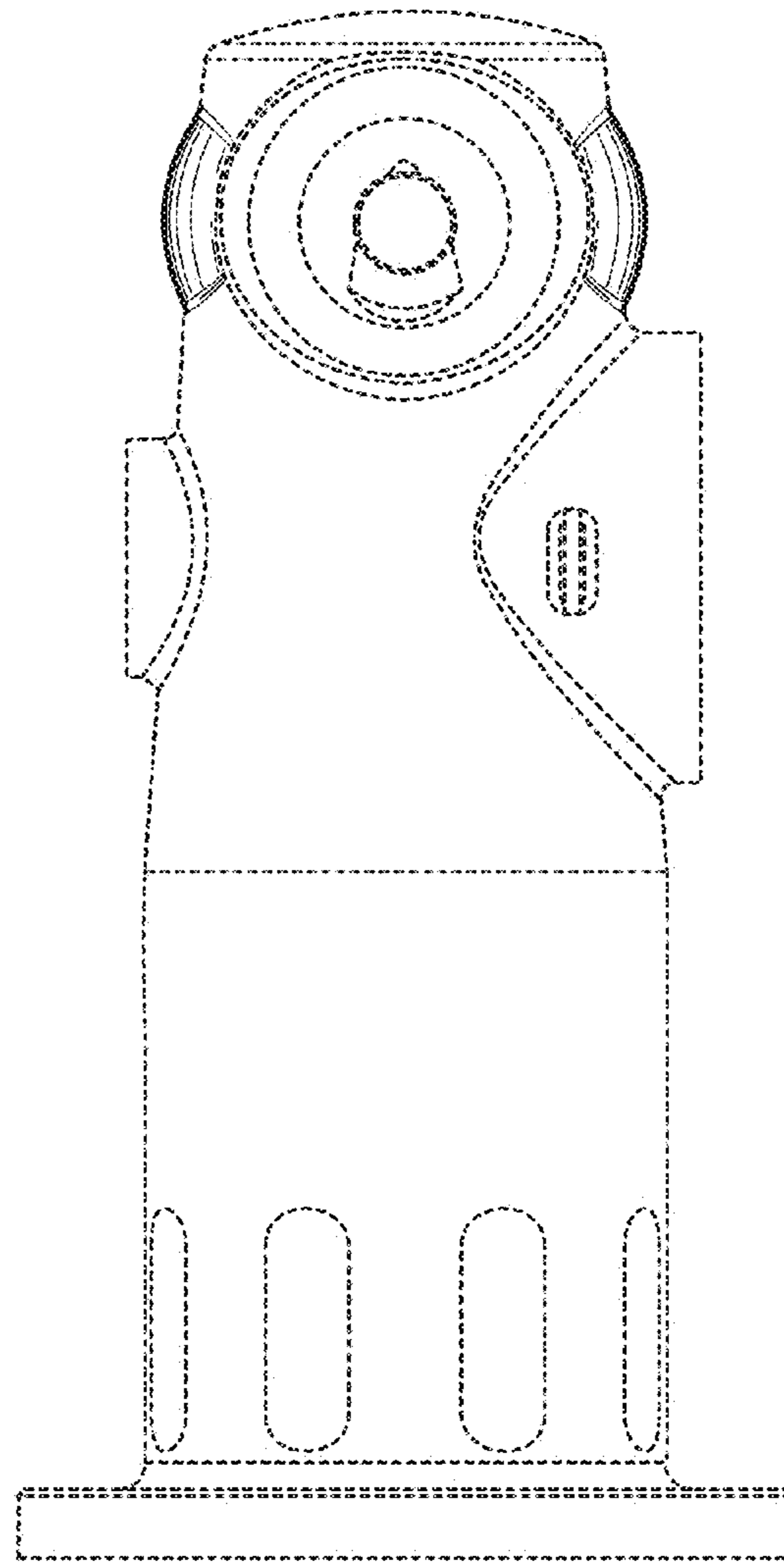


FIG. 5

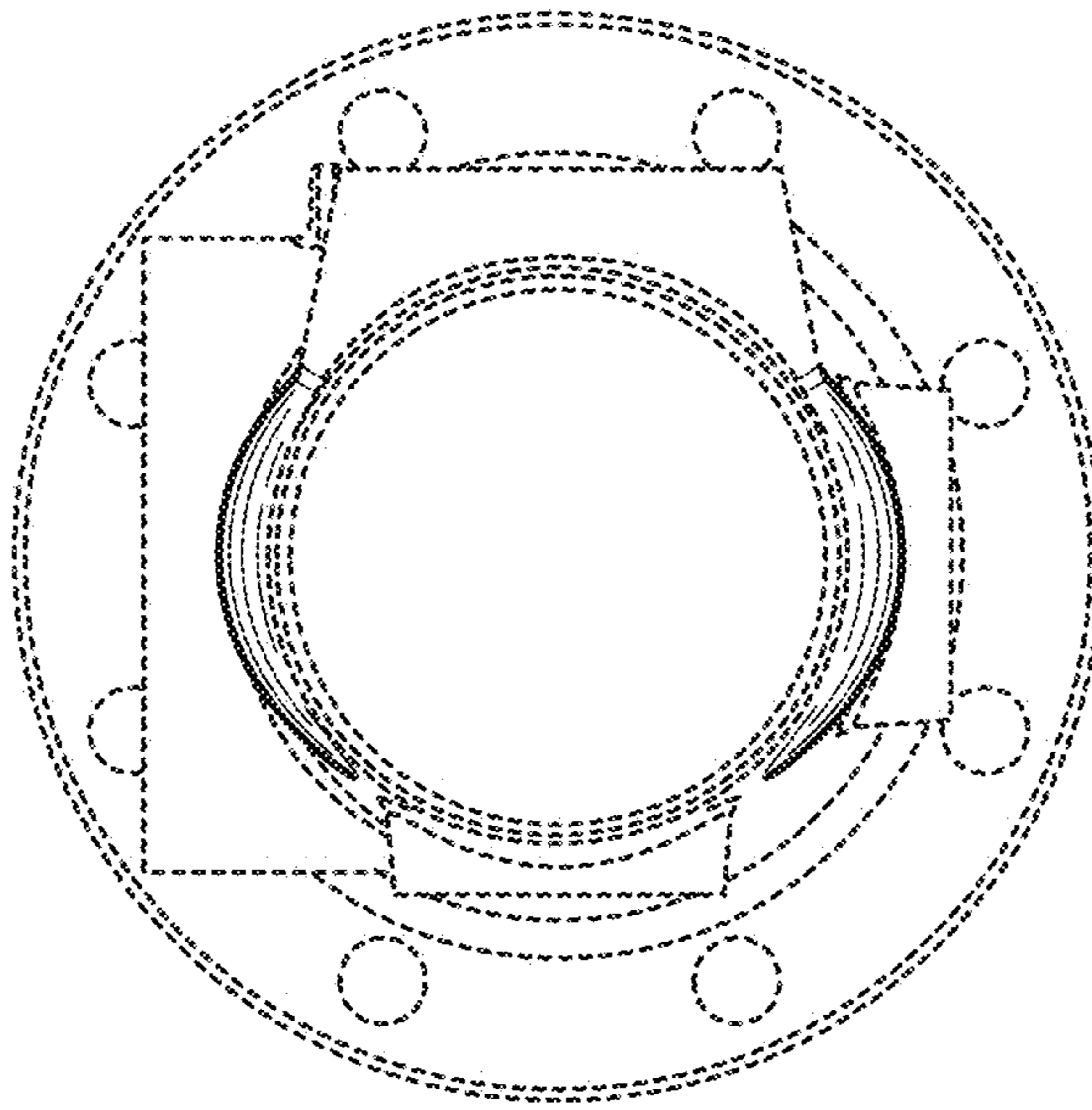


FIG. 6

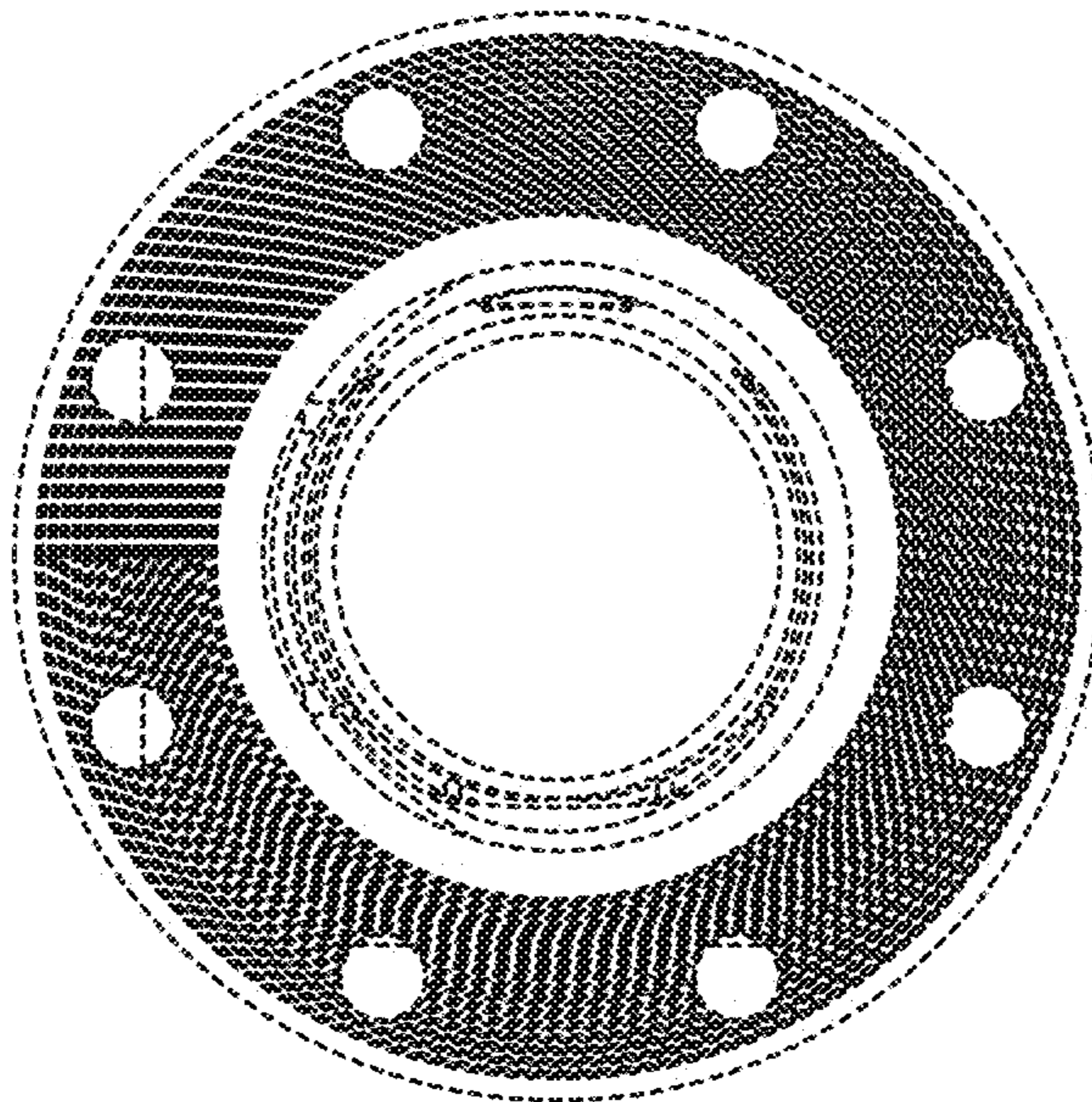


FIG. 7