

US00D762282S

(12) **United States Design Patent**  
**Guest et al.**

(10) **Patent No.:** **US D762,282 S**  
(45) **Date of Patent:** **\*\* Jul. 26, 2016**

(54) **FIRE HYDRANT FLUTING**

D480,243 S \* 10/2003 Edwards ..... D23/234  
D631,134 S \* 1/2011 German ..... D23/234  
8,302,623 B1 \* 11/2012 Nichols ..... F16K 15/03  
137/283

(71) Applicant: **Mueller International, LLC**, Atlanta, GA (US)

(72) Inventors: **James Mark Guest**, Rainbow City, AL (US); **Justin Childress**, Albertville, AL (US); **Christopher Joseph Duckett**, Albertville, AL (US); **Gary Wayne Hadley**, Albertville, AL (US); **Zack Snyder**, Southside, AL (US)

(73) Assignee: **Mueller International, LLC**, Atlanta, GA (US)

(\*\*) Term: **15 Years**

(21) Appl. No.: **29/545,299**

(22) Filed: **Nov. 11, 2015**

(51) **LOC (10) Cl.** ..... **23-01**

(52) **U.S. Cl.**  
USPC ..... **D23/234**

(58) **Field of Classification Search**  
USPC ..... D23/234; 137/299, 272, 71, 296, 382, 137/800, 527, 15.02, 315.41, 527.8; 200/284, 725, 726; D21/483; D6/515  
CPC ..... F16K 27/006; F16K 35/10  
See application file for complete search history.

(56) **References Cited**

**U.S. PATENT DOCUMENTS**

D190,986 S \* 7/1961 Watkins ..... D23/234  
D214,900 S \* 8/1969 Page ..... D23/234  
D262,555 S \* 1/1982 Skubic ..... D21/483  
D282,109 S \* 1/1986 Golden ..... D23/234  
D314,227 S \* 1/1991 Christ ..... D23/215  
D328,620 S \* 8/1992 Maple ..... D21/483  
6,112,761 A \* 9/2000 Scotto ..... E03B 9/06  
137/296

**OTHER PUBLICATIONS**

Guest, James Mark; U.S. Design Application entitled: Fire Hydrant having U.S. Appl. No. 29/545,305, filed Nov. 11, 2015, 5 pgs.  
Guest, James Mark; U.S. Design Application entitled: Fire Hydrant Contours having U.S. Appl. No. 29/545,306, filed Nov. 11, 2015, 5 pgs.  
James Jones Company; Product Sheet for Hydrant Body—Ductile Iron, Revision C, publicly available prior to Nov. 11, 2015, 1 pg.  
James Jones Company; Product Sheet for Hydrant Body—Ductile Iron, Revision D, publicly available prior to Nov. 11, 2015, 1 pg.  
Mueller Co.; Brochure for Mueller Super Centurion 250 Fire Hydrant, publicly available prior to Nov. 11, 2015, 6 pgs.

(Continued)

*Primary Examiner* — Cynthia Ramirez

*Assistant Examiner* — Gino Colan

(74) *Attorney, Agent, or Firm* — Taylor English Duma LLP

(57) **CLAIM**

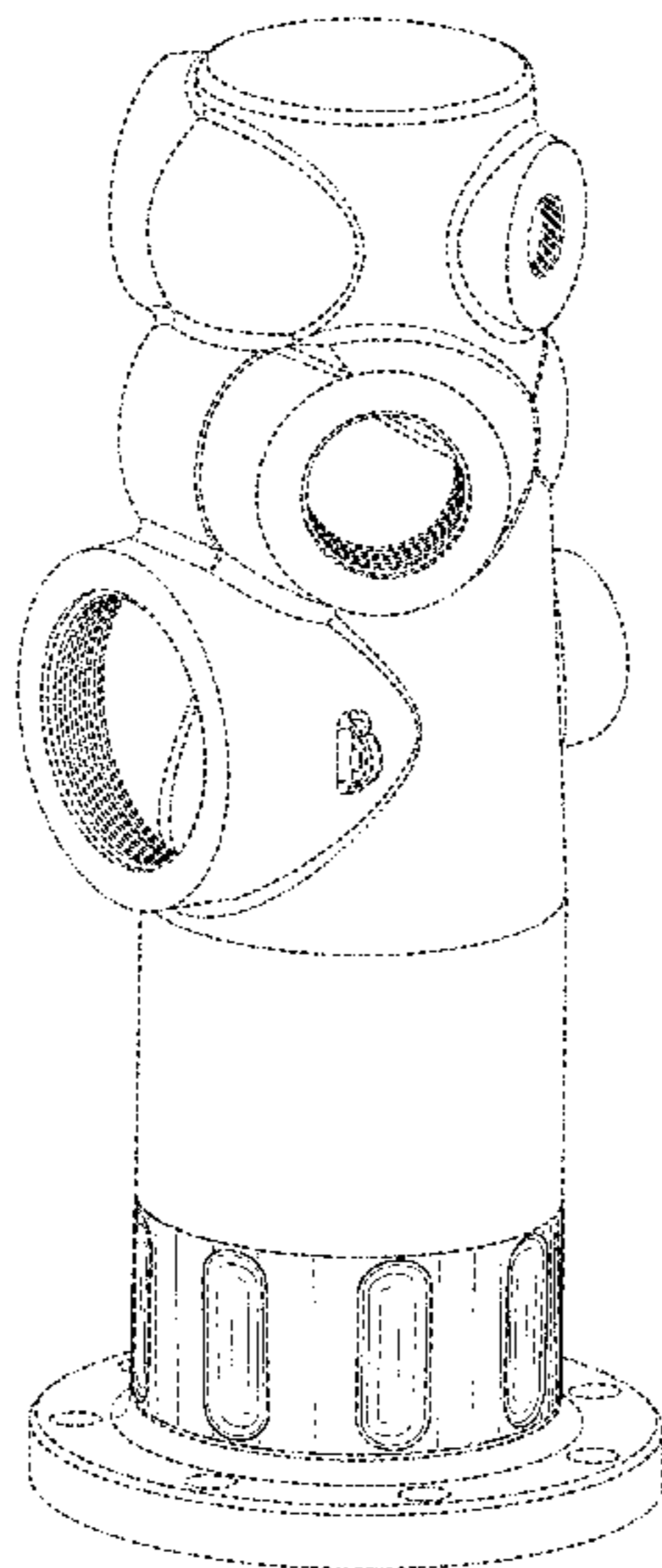
The ornamental design for a fire hydrant fluting, as shown and described.

**DESCRIPTION**

FIG. 1 is a perspective view of the claimed design.  
FIG. 2 is a front elevation view thereof.  
FIG. 3 is a rear elevation view thereof.  
FIG. 4 is a right-side elevation view thereof.  
FIG. 5 is a left-side elevation view thereof.  
FIG. 6 is a top plan view thereof; and,  
FIG. 7 is a bottom plan view thereof.

The broken lines shown in the figures are for the purpose of illustrating environment and form no part of the claimed design. The dash-dot-dot-dash lines in the figures are for the purpose of showing boundaries of the design and form no part of the claimed design.

**1 Claim, 4 Drawing Sheets**



(56)

**References Cited**

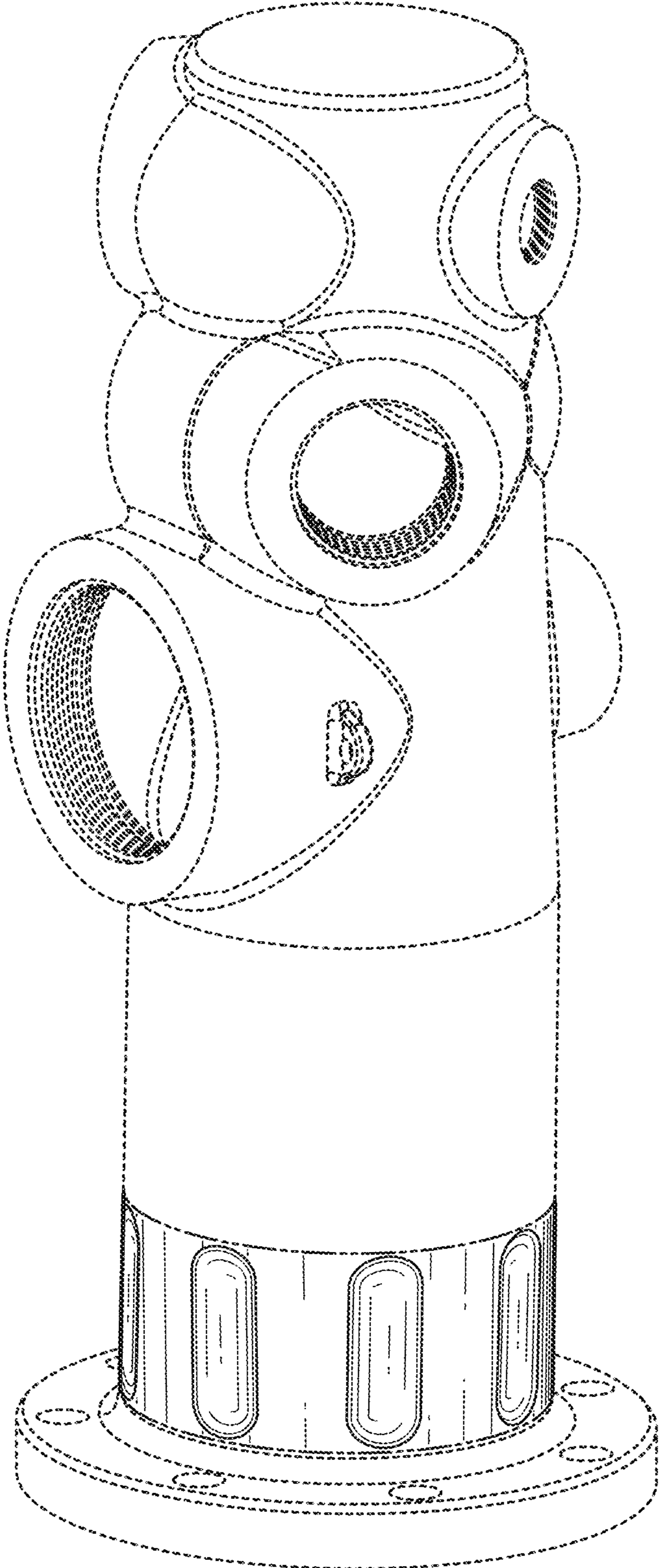
OTHER PUBLICATIONS

Mueller Co.; Specification Sheet for Mueller Super Centurion Fire Hydrant, publicly available prior to Nov. 11, 2015, 1 pg.

Guest, James Mark; Non-Final Office Action for U.S. Appl. No. 29/545,305, filed Nov. 11, 2015, mailed May 26, 2016, 12 pgs.

Guest, James Mark; Notice of Allowance for U.S. Appl. No. 29/545,306, filed Nov. 11, 2015, mailed May 27, 2016, 13 pgs.

\* cited by examiner



**FIG. 1**



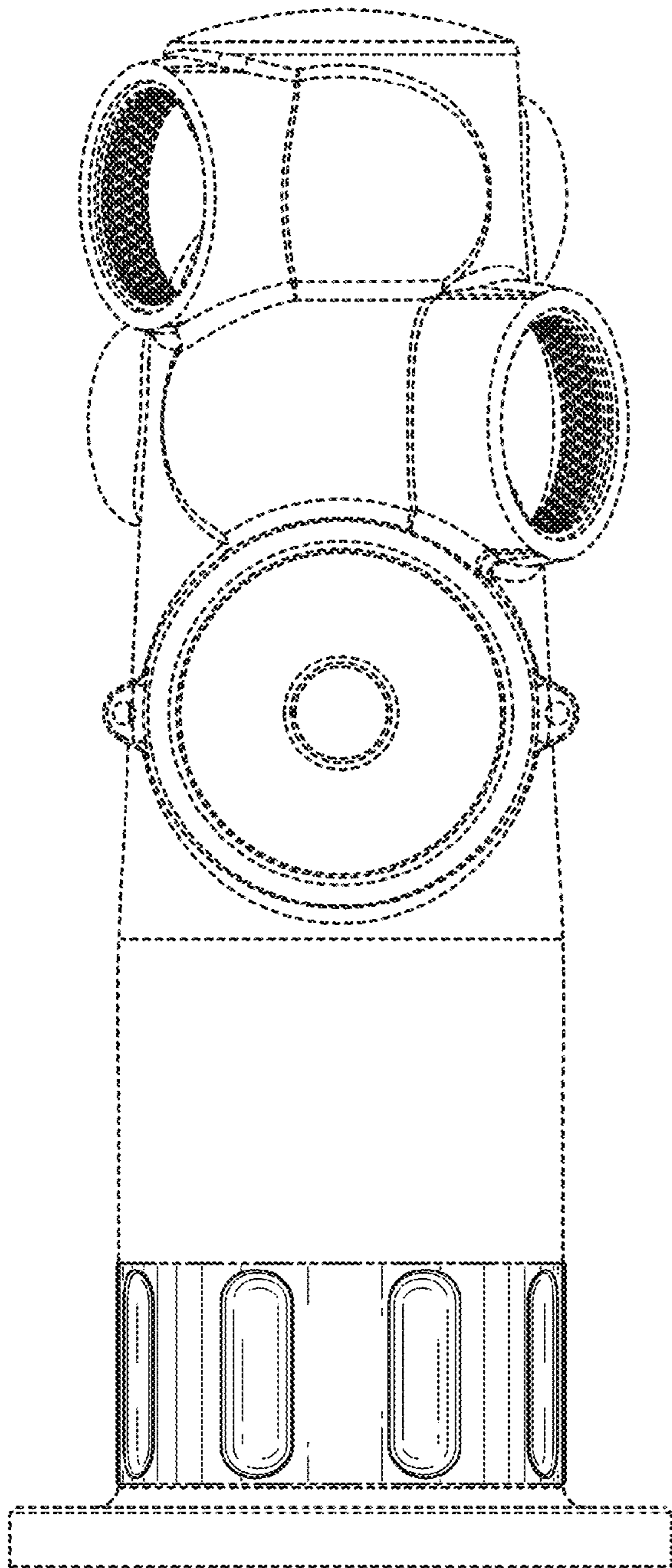


FIG. 2

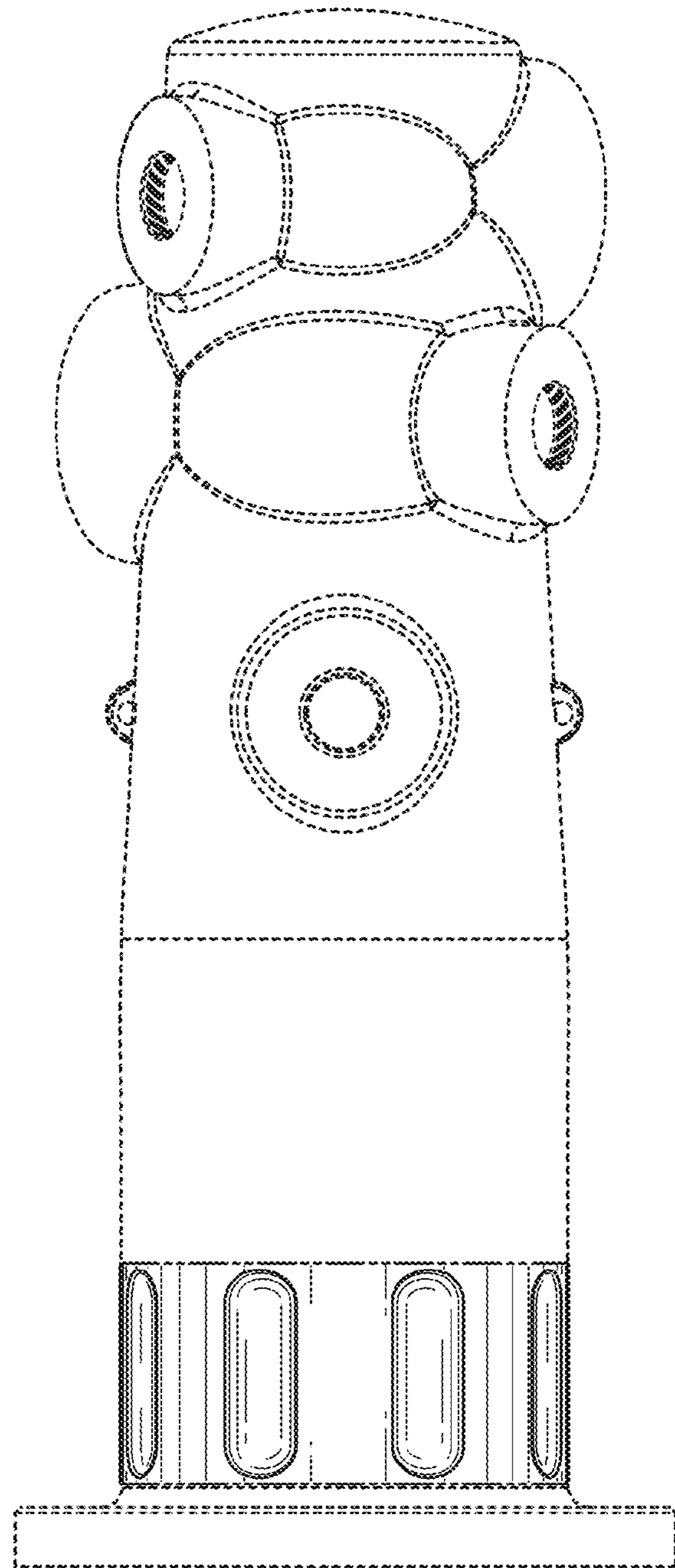
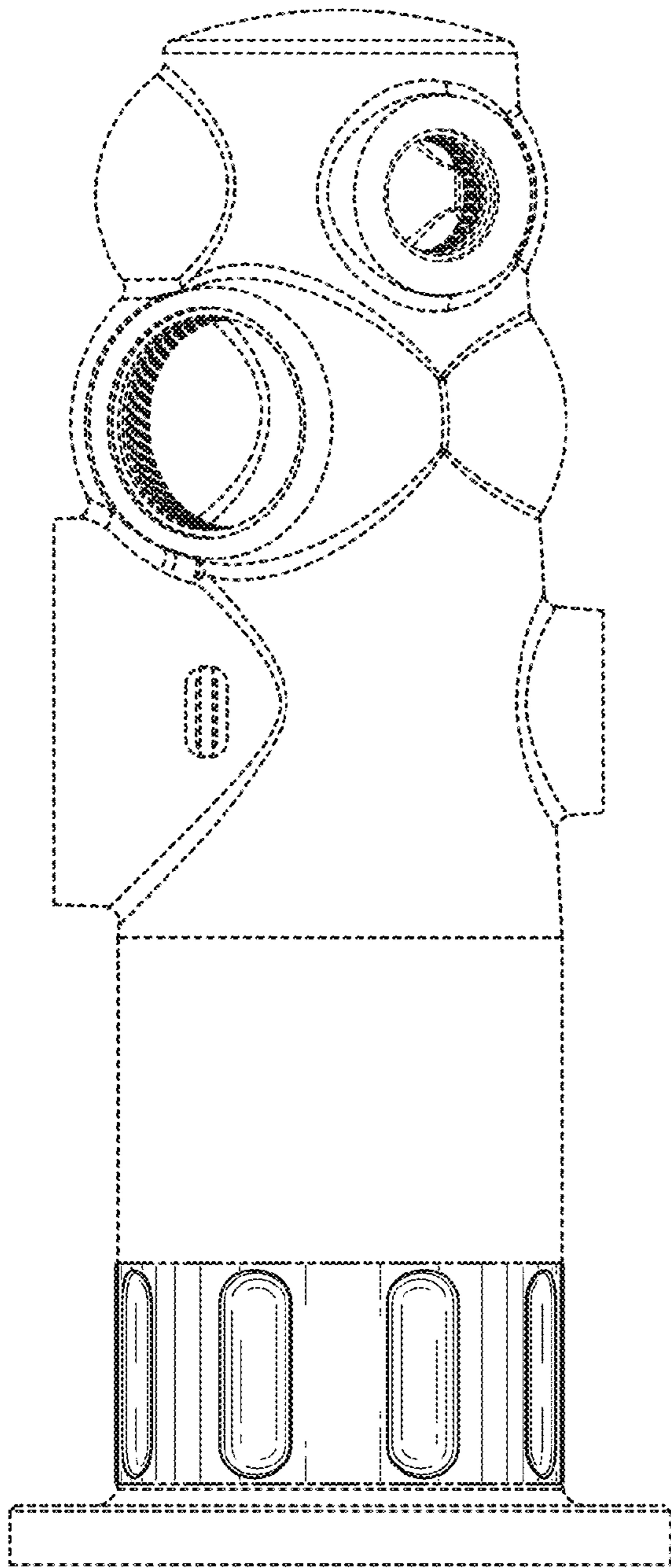
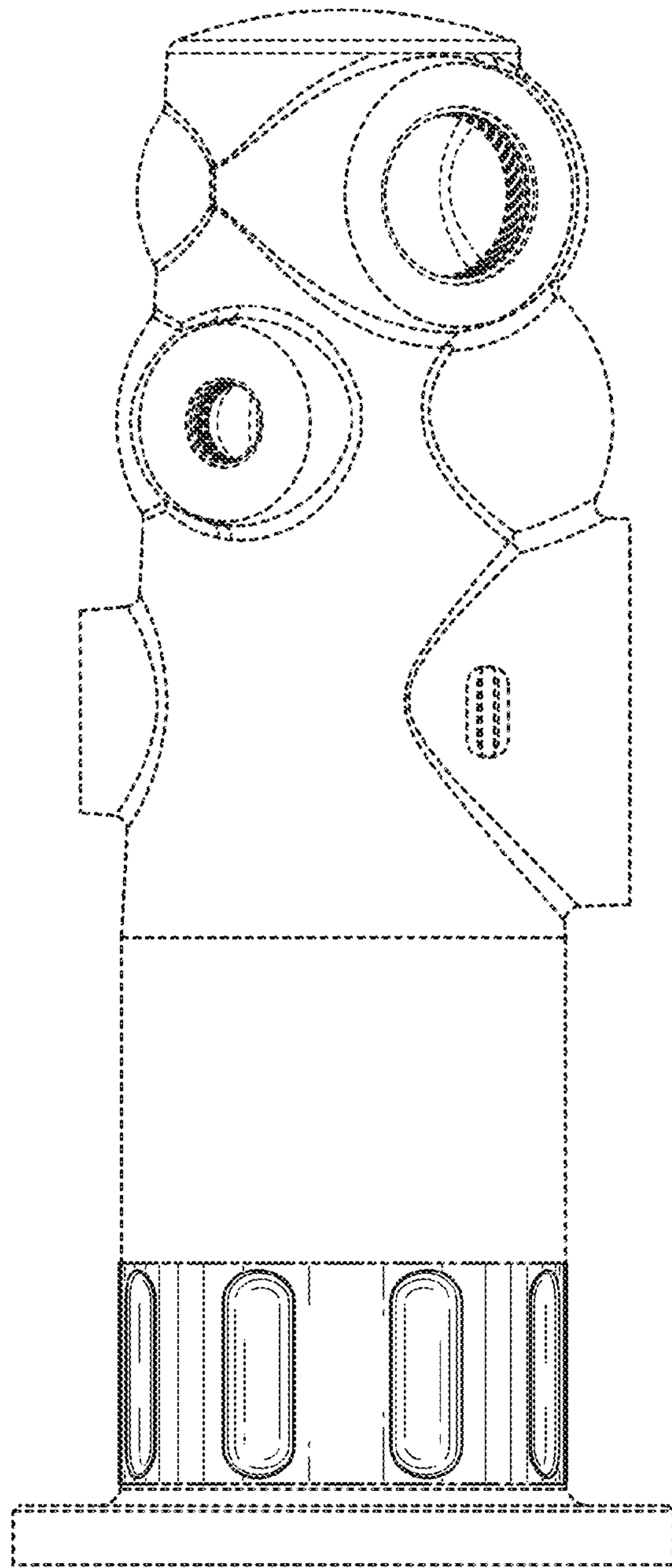


FIG. 3

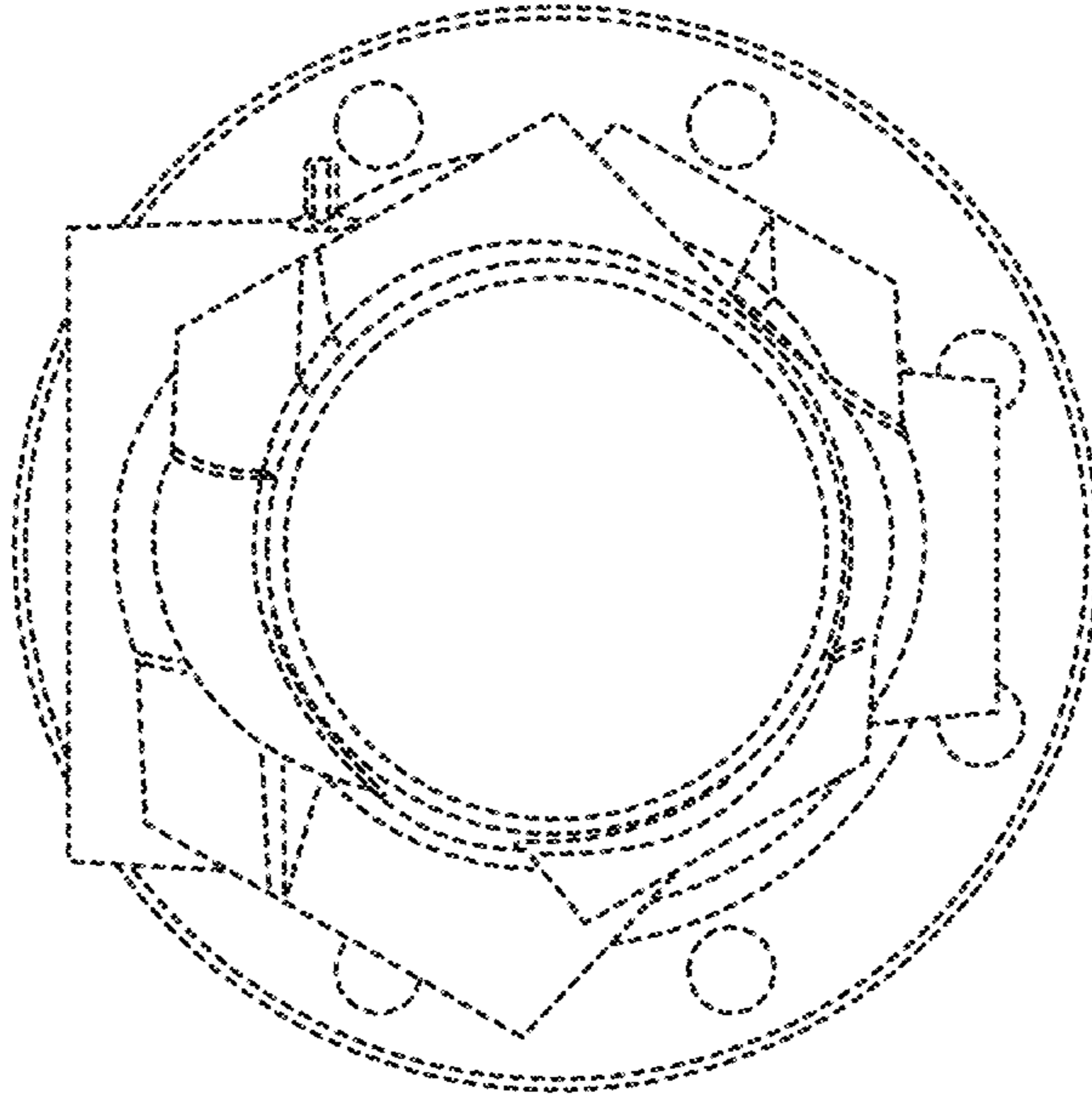


**FIG. 4**

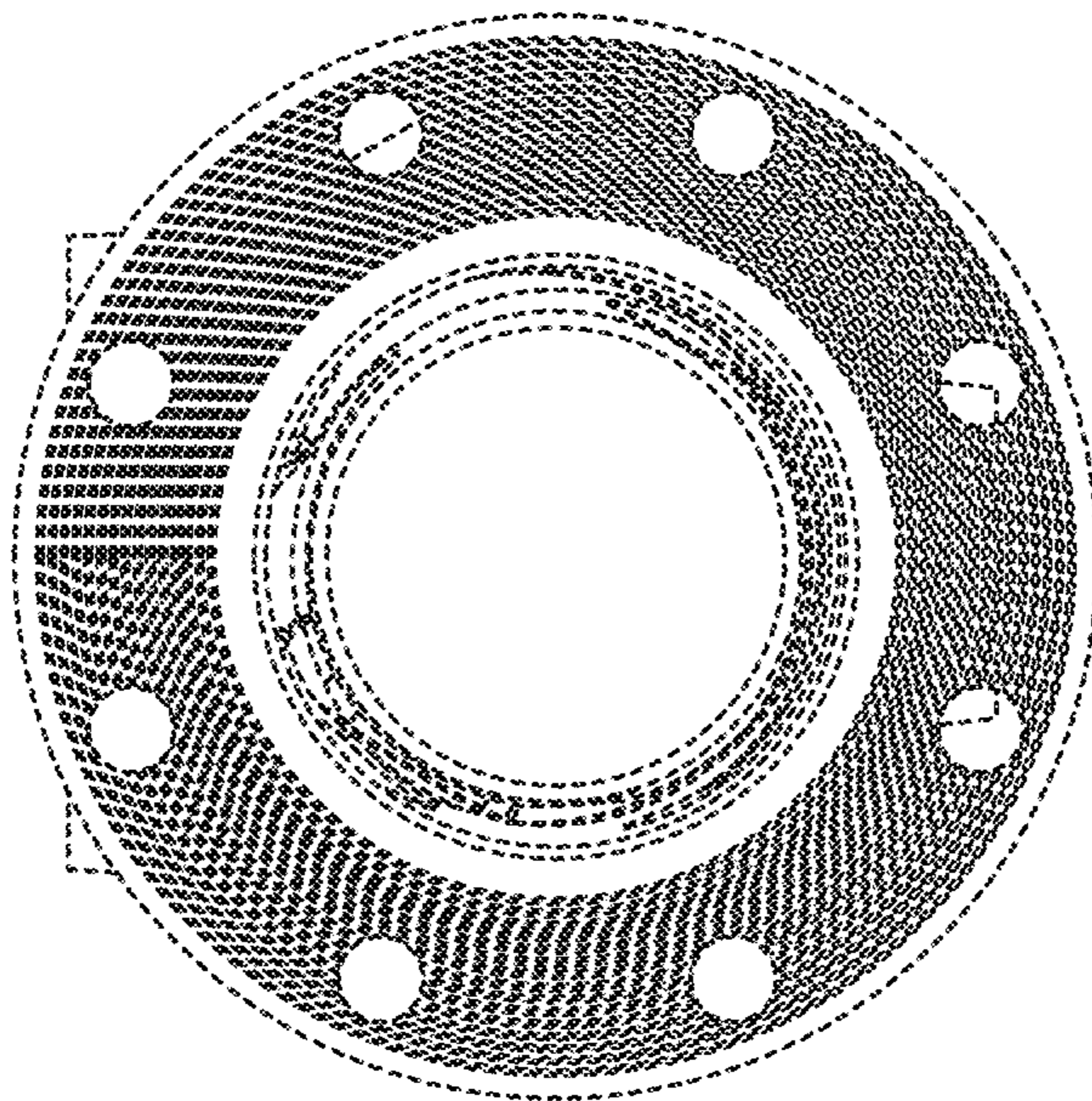


**FIG. 5**





**FIG. 6**



**FIG. 7**