



US00D762281S

(12) **United States Design Patent**  
**Byron et al.**

(10) **Patent No.:** **US D762,281 S**  
(45) **Date of Patent:** **\*\* Jul. 26, 2016**

(54) **SHOWER HEAD**

(56) **References Cited**

(71) Applicant: **BRASSCRAFT MANUFACTURING COMPANY**, Novi, MI (US)

U.S. PATENT DOCUMENTS

(72) Inventors: **David Jonathan Byron**, Southfield, MI (US); **Alicia Krause**, Shelby Township, MI (US); **Nicole Collins**, Livonia, MI (US); **Lauren Mamelka**, Lathrup Village, MI (US); **Joseph P. Schutte**, Ann Arbor, MI (US)

D415,246 S *	10/1999	Marshall .....	D23/213
D466,970 S *	12/2002	Singtoroj .....	D23/213
D510,409 S *	10/2005	Xiang .....	D23/213
D589,592 S *	3/2009	Genord .....	D23/213
D636,849 S *	4/2011	Yoo .....	D23/213
D646,353 S *	10/2011	Yoo .....	D23/213
D652,115 S *	1/2012	Wang .....	D23/229
8,424,783 B2 *	4/2013	Huang .....	B05B 1/18 239/558

(73) Assignee: **BrassCraft Manufacturing Company**, Novi, MI (US)

\* cited by examiner

*Primary Examiner* — Robin V Webster

(\*\*) Term: **14 Years**

(74) *Attorney, Agent, or Firm* — Kirk W. Rudolph

(21) Appl. No.: **29/521,625**

(57) **CLAIM**

The ornamental design for a shower head, as shown and described.

(22) Filed: **Mar. 25, 2015**

**DESCRIPTION**

(51) **LOC (10) Cl.** ..... **23-01**

FIG. 1 is a perspective view of a shower head showing our design;

(52) **U.S. Cl.**

FIG. 2 is a front view thereof;

USPC ..... **D23/229**

FIG. 3 is a rear view thereof; and,

(58) **Field of Classification Search**

FIG. 4 is a side view thereof.

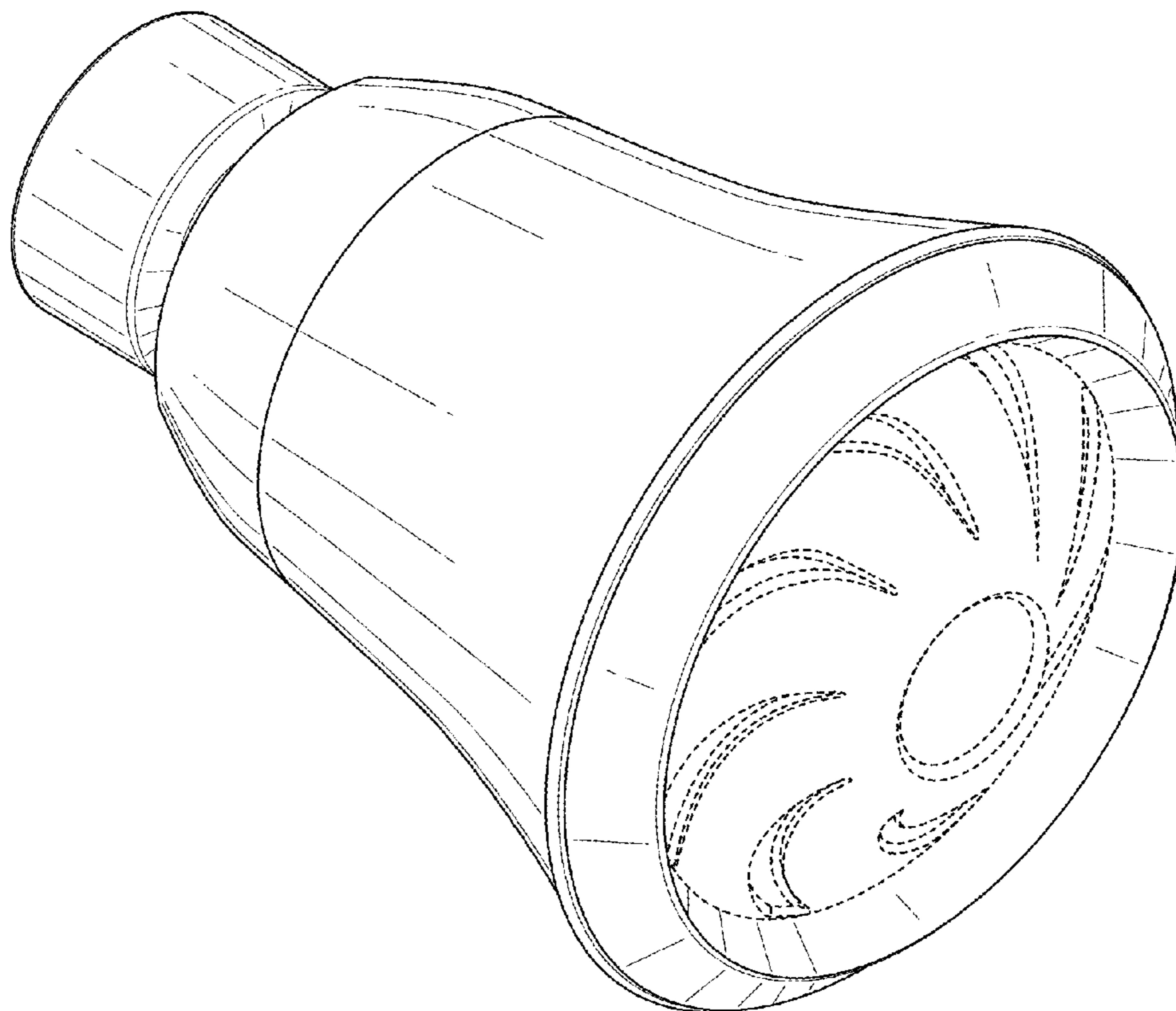
USPC ..... D23/213, 223, 226, 229, 230; 239/282, 239/283

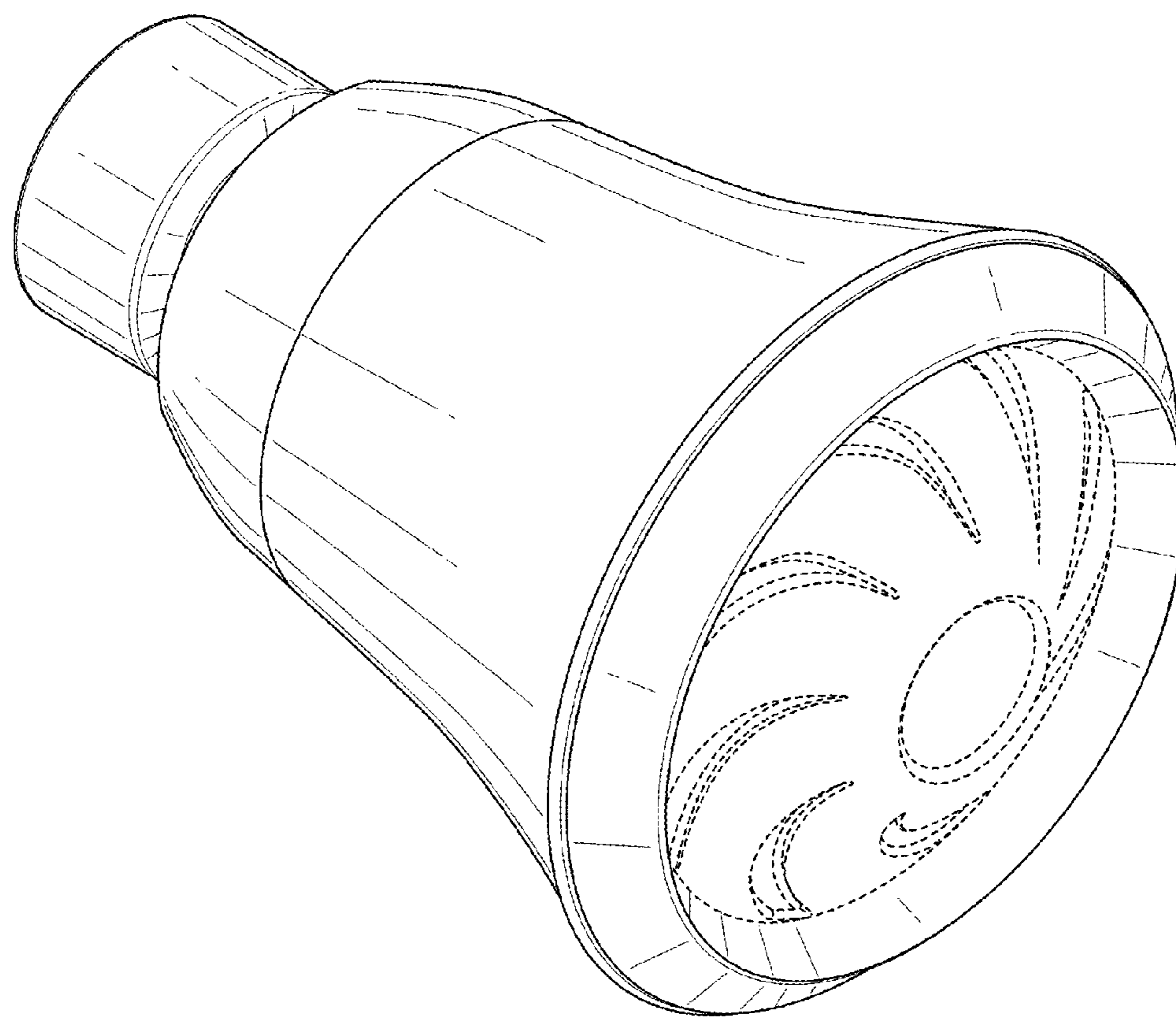
The broken lines in the drawings represent unclaimed portions of the shower head and form no portion thereof.

CPC ..... B05B 1/00; B05B 1/18; E03C 1/06

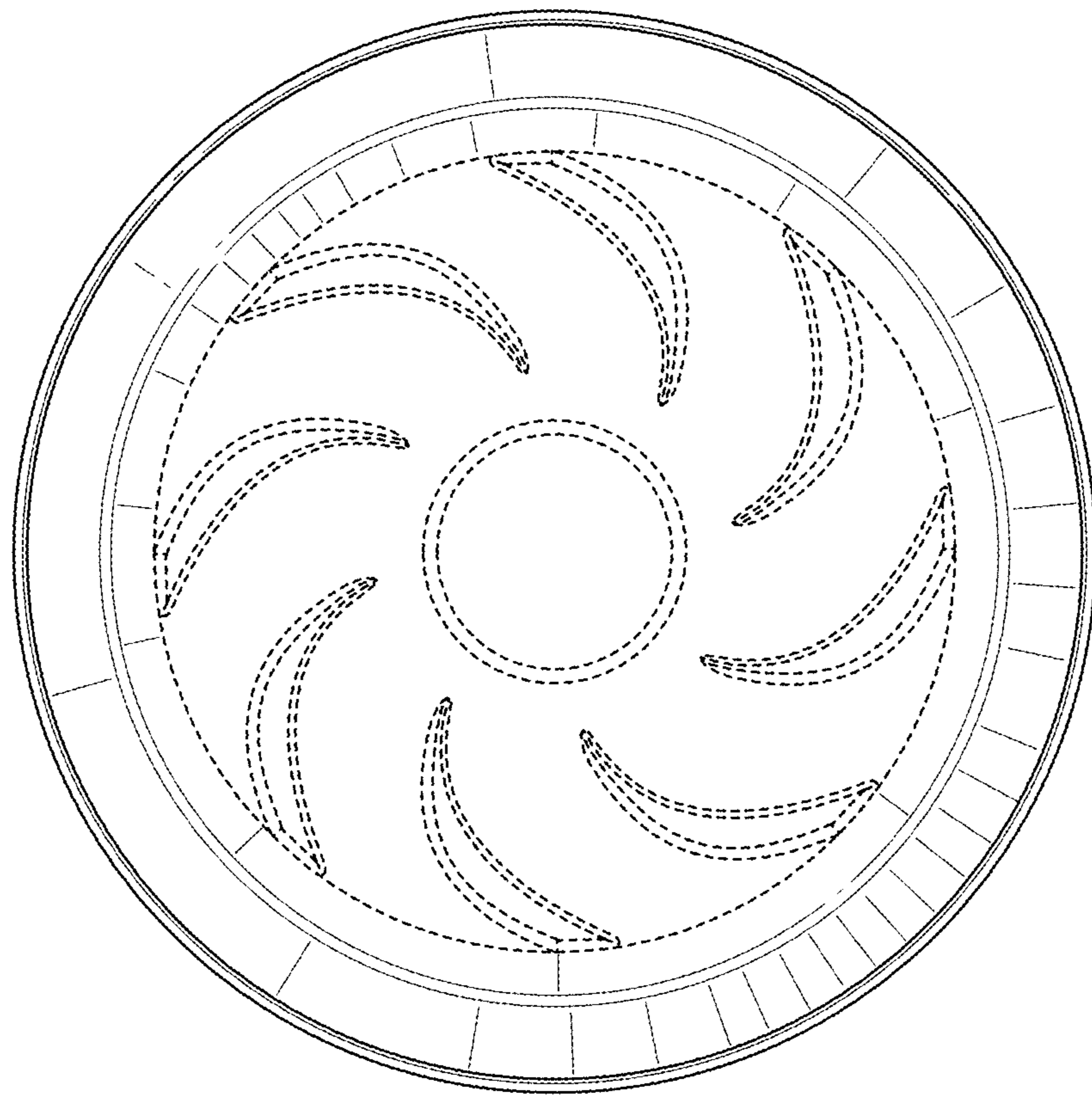
See application file for complete search history.

**1 Claim, 4 Drawing Sheets**

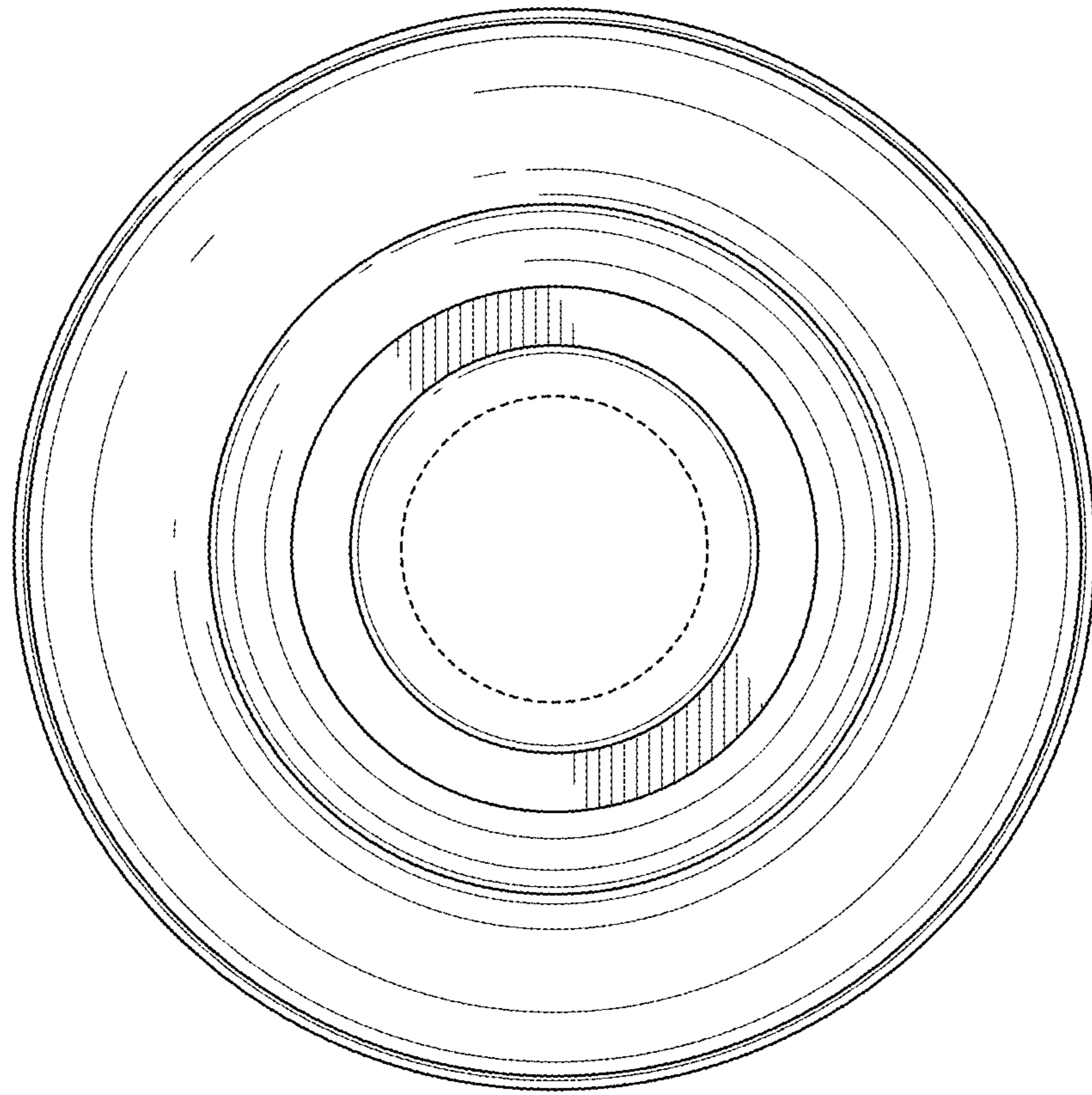




**FIG. 1**



**FIG. 2**



**FIG. 3**

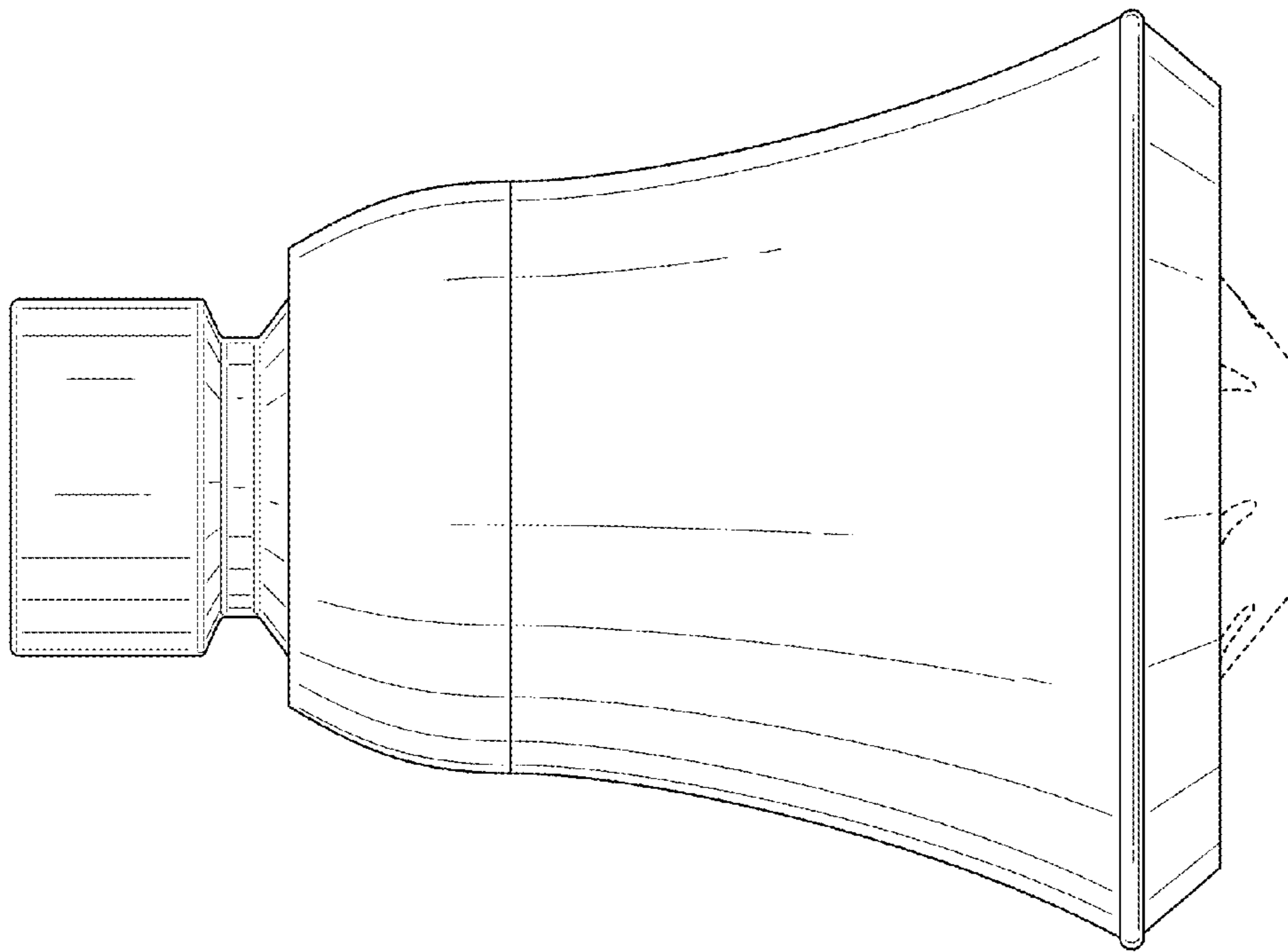


FIG. 4