

US00D762280S

(12) **United States Design Patent**
Guarrasi et al.

(10) **Patent No.:** **US D762,280 S**
(45) **Date of Patent:** **** Jul. 26, 2016**

(54) **SAND-BAG FILTER**
(71) Applicants: **Gasper Guarrasi**, Long Beach, CA (US); **Terry Balog**, Long Beach, CA (US)
(72) Inventors: **Gasper Guarrasi**, Long Beach, CA (US); **Terry Balog**, Long Beach, CA (US)
(**) Term: **14 Years**

5,746,913 A * 5/1998 Chang B01D 24/30 210/189
D445,477 S 7/2001 Pomier
6,325,936 B1 12/2001 Nijjima
6,576,594 B2 6/2003 Nier et al.
6,607,670 B2 8/2003 Baldwin et al.
D521,036 S 5/2006 Connell
7,674,378 B2 3/2010 Kent
D627,426 S 11/2010 Perdue et al.
D632,709 S 2/2011 Schade
8,343,310 B2 1/2013 Fielding et al.
8,845,906 B2 9/2014 Henley
2009/0114601 A1 5/2009 Lean et al.
2013/0048572 A1 2/2013 Hawks
2013/0075343 A1 3/2013 Hawks

(21) Appl. No.: **29/522,983**
(22) Filed: **Apr. 6, 2015**
(51) **LOC (10) Cl.** **23-01**
(52) **U.S. Cl.**
USPC **D23/209**
(58) **Field of Classification Search**
USPC D23/207, 209; 210/241, 435, 140, 190, 210/191, 151, 189; 202/81, 83, 185.3
CPC C02F 1/42
See application file for complete search history.

* cited by examiner
Primary Examiner — Robin V Webster
(74) *Attorney, Agent, or Firm* — Kirk A. Buhler; Buhler & Associates

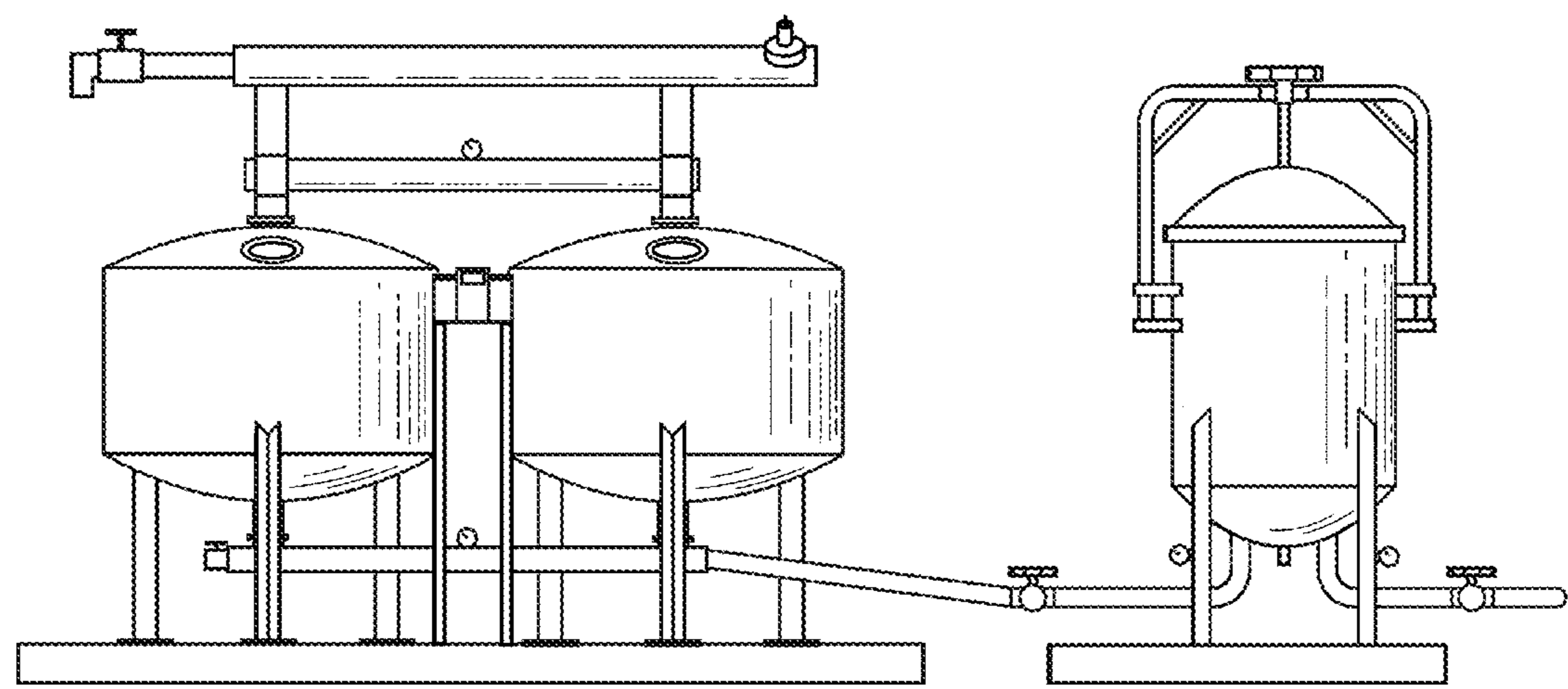
(56) **References Cited**
U.S. PATENT DOCUMENTS
1,903,958 A * 4/1933 Clark C02F 1/42 210/189
D253,082 S 10/1979 Moncrief
4,224,148 A 9/1980 Lindman et al.
4,340,473 A 7/1982 Lindman et al.
D359,799 S 6/1995 Lizano
5,681,475 A 10/1997 Lamensdorf et al.

(57) **CLAIM**
The ornamental design for a sand-bag filter, as shown and described.

DESCRIPTION

FIG. 1 is a front side view for a sand-bag filter showing my new design;
FIG. 2 is a top side view thereof;
FIG. 3 is a bottom side view thereof;
FIG. 4 is a left side view thereof;
FIG. 5 is a right side view thereof; and,
FIG. 6 is a rear side view thereof.

1 Claim, 4 Drawing Sheets



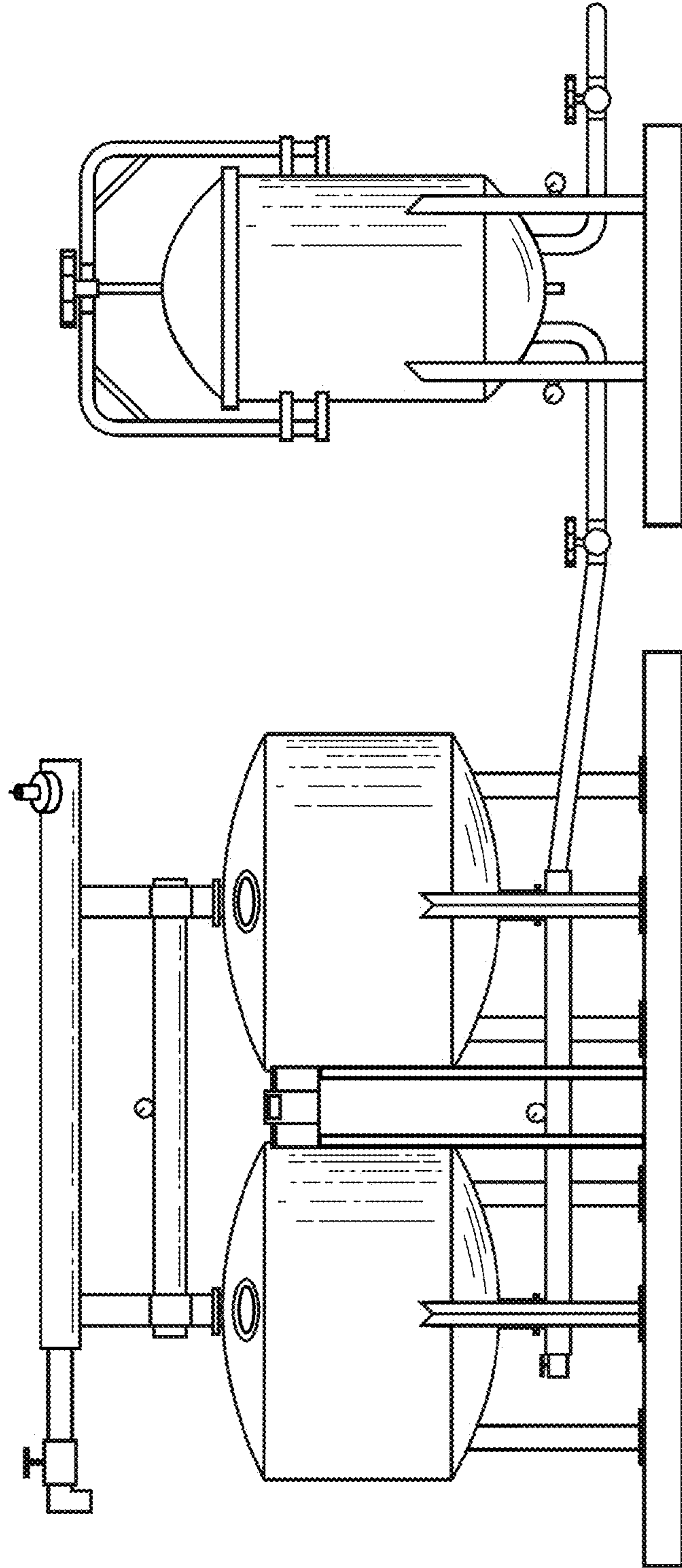


FIG. 1

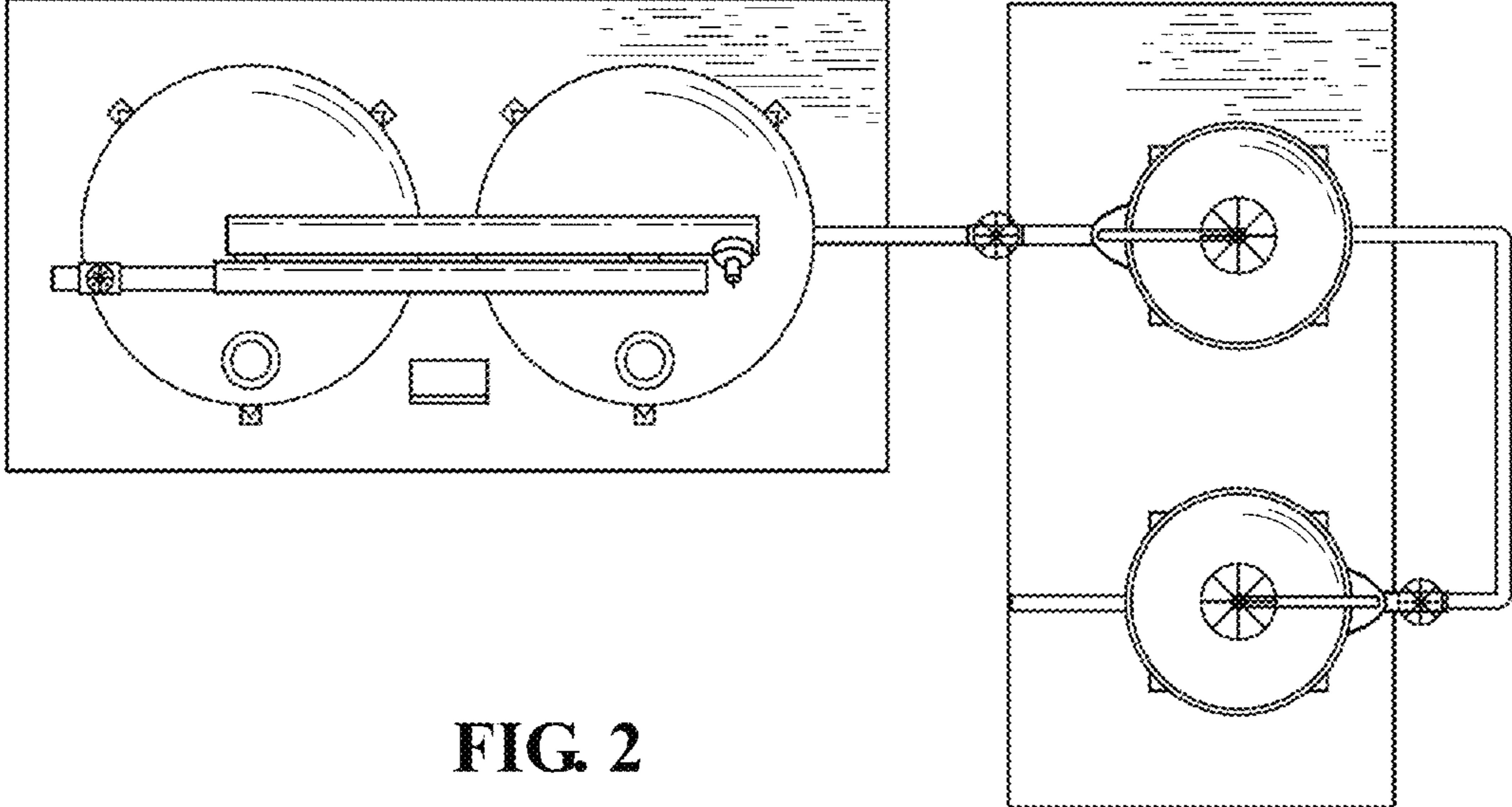


FIG. 2

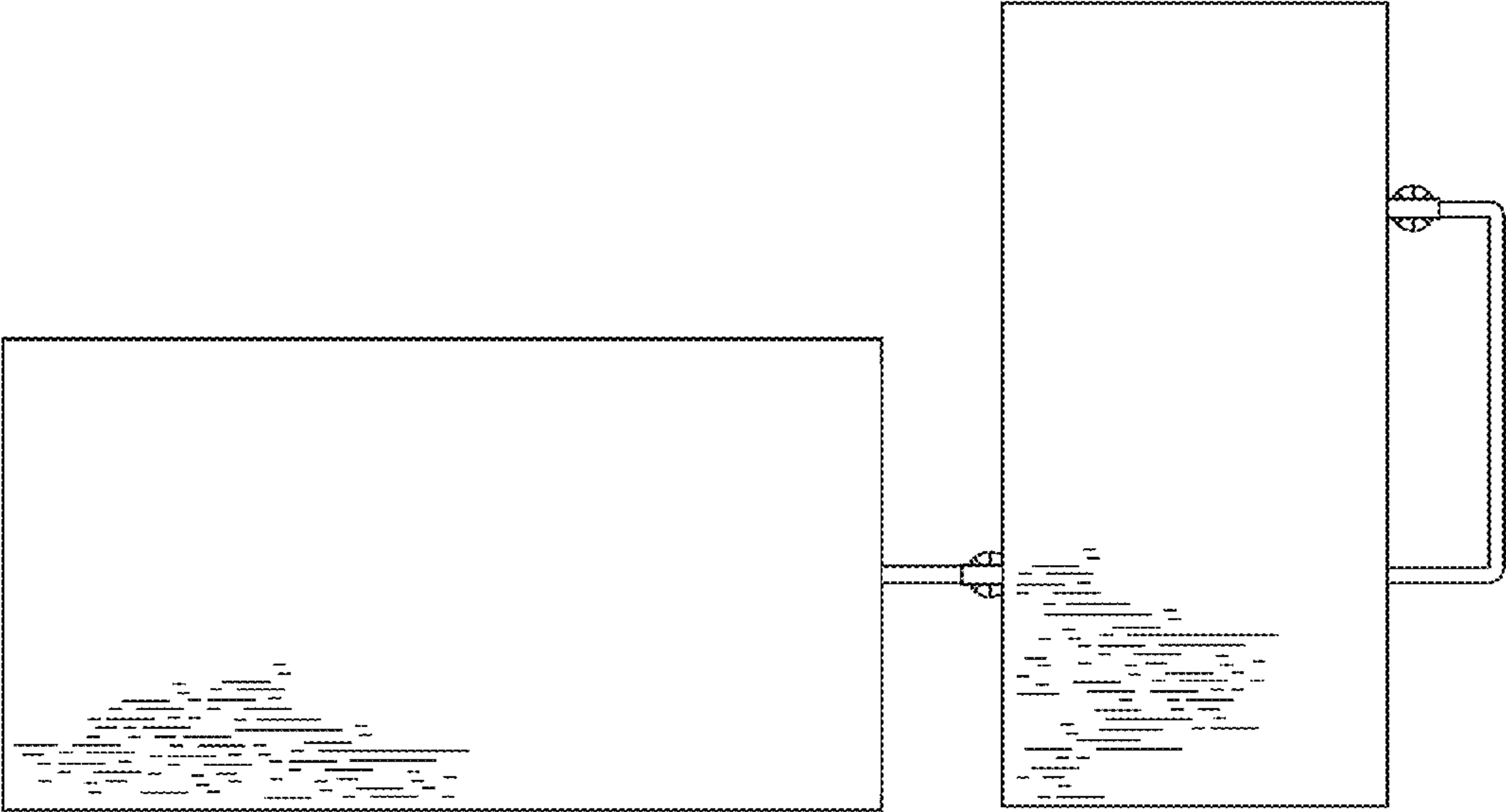


FIG. 3

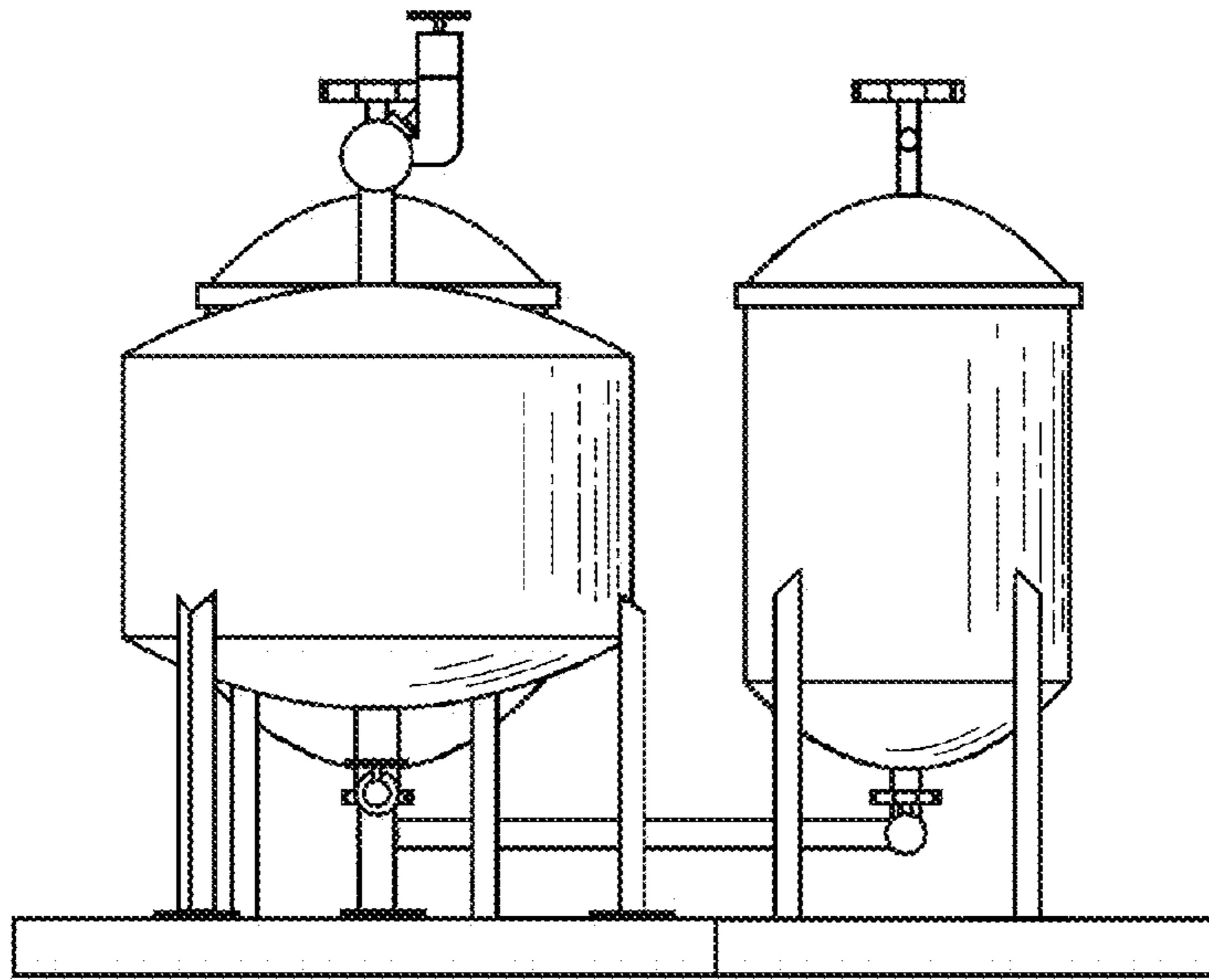


FIG. 4

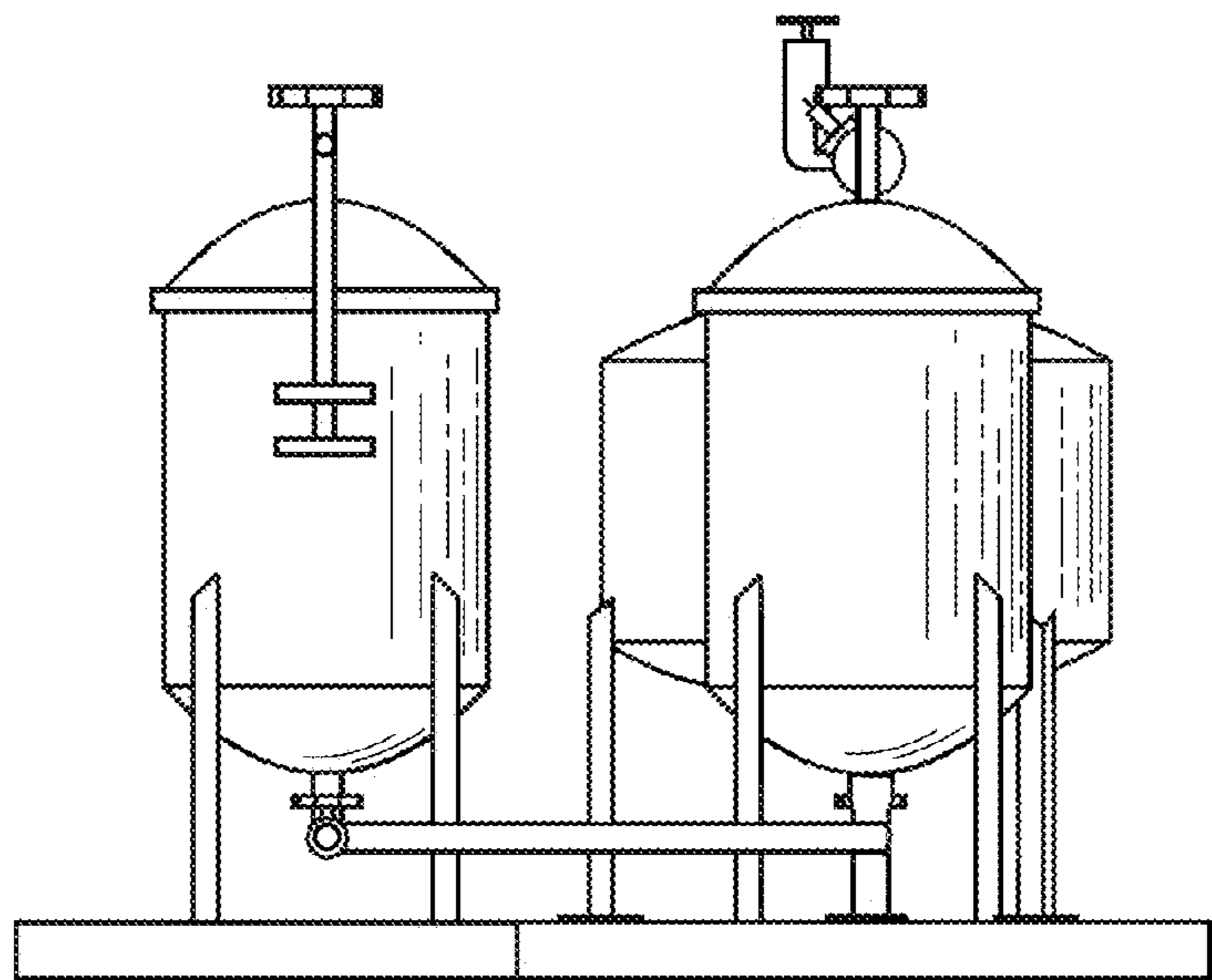


FIG. 5

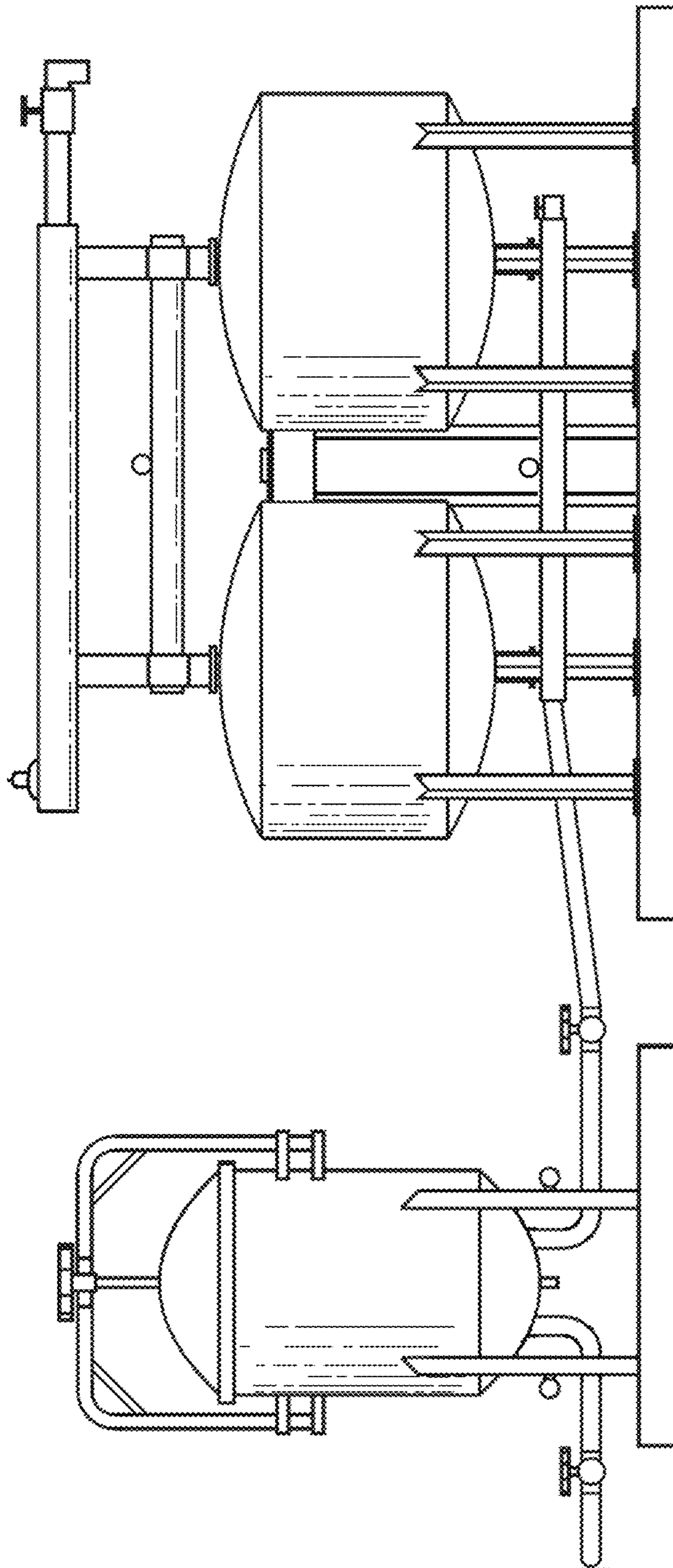


FIG. 6