



US00D762278S

(12) **United States Design Patent**  
**Geissele et al.**

(10) **Patent No.:** **US D762,278 S**  
(45) **Date of Patent:** **\*\* Jul. 26, 2016**

- (54) **FIREARM MOUNT**
- (71) Applicant: **WHG Properties, LLC**, North Wales, PA (US)
- (72) Inventors: **William H. Geissele**, Lower Gwynedd, PA (US); **Joseph Plunkett, Jr.**, Clifton Heights, PA (US)
- (73) Assignee: **WHG Properties, LLC**, North Wales, PA (US)
- (\*\*) Term: **14 Years**
- (21) Appl. No.: **29/514,132**
- (22) Filed: **Jan. 8, 2015**
- (51) **LOC (10) Cl.** ..... **22-01**
- (52) **U.S. Cl.**  
USPC ..... **D22/108**
- (58) **Field of Classification Search**  
USPC ..... D22/108, 110; D8/14-16, 51, 71-72, D8/80, 83, 88, 89  
CPC ..... F41A 11/00; F41A 29/00; F41A 23/18  
See application file for complete search history.

- 4,266,748 A \* 5/1981 Dalton ..... A01M 31/02 108/139
- D406,036 S \* 2/1999 Flachslaender ..... D8/74
- D506,521 S \* 6/2005 Strahan ..... D22/108
- 7,356,960 B1 \* 4/2008 Knitt ..... F41A 23/16 42/94
- 2009/0026679 A1 \* 1/2009 Harman, III ..... F41C 27/00 269/43
- 2009/0205238 A1 \* 8/2009 Willis, Jr. .... F41A 27/28 42/94

\* cited by examiner

*Primary Examiner* — Michael A Pratt  
(74) *Attorney, Agent, or Firm* — Merchant & Gould, P.C.

(56) **References Cited**

**U.S. PATENT DOCUMENTS**

- 4,007,554 A \* 2/1977 Helmstadter ..... F41A 23/06 42/94

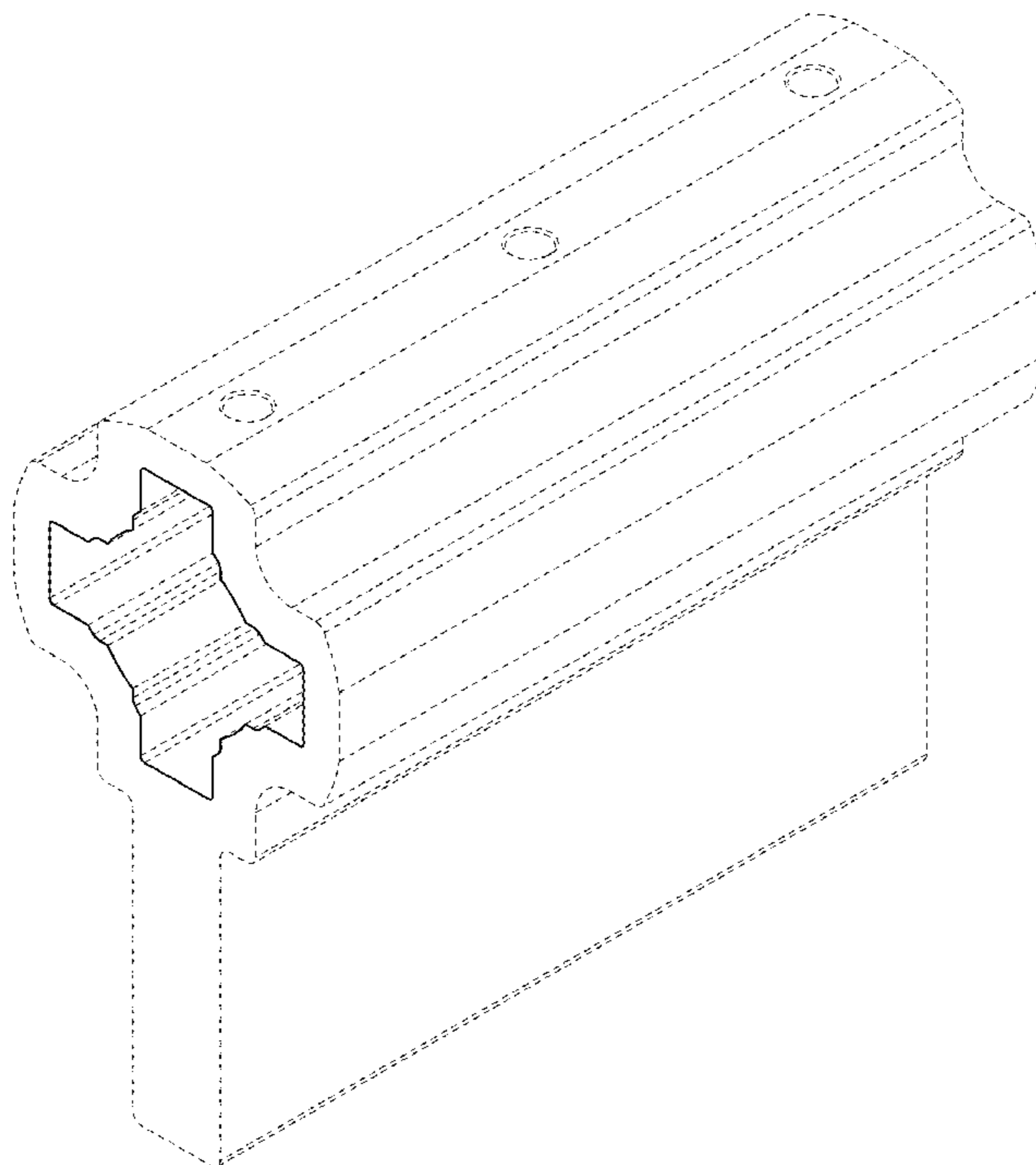
(57) **CLAIM**

The ornamental design for a firearm mount, as shown and described.

**DESCRIPTION**

FIG. 1 is a front, top, right side perspective view of a firearm mount according to the present disclosure; FIG. 2 is a rear, bottom, left side perspective view thereof; FIG. 3 is a front view thereof; and, FIG. 4 is a rear view thereof. The broken lines in the Figures are for illustrative purposes only and form no part of the claimed design.

**1 Claim, 3 Drawing Sheets**



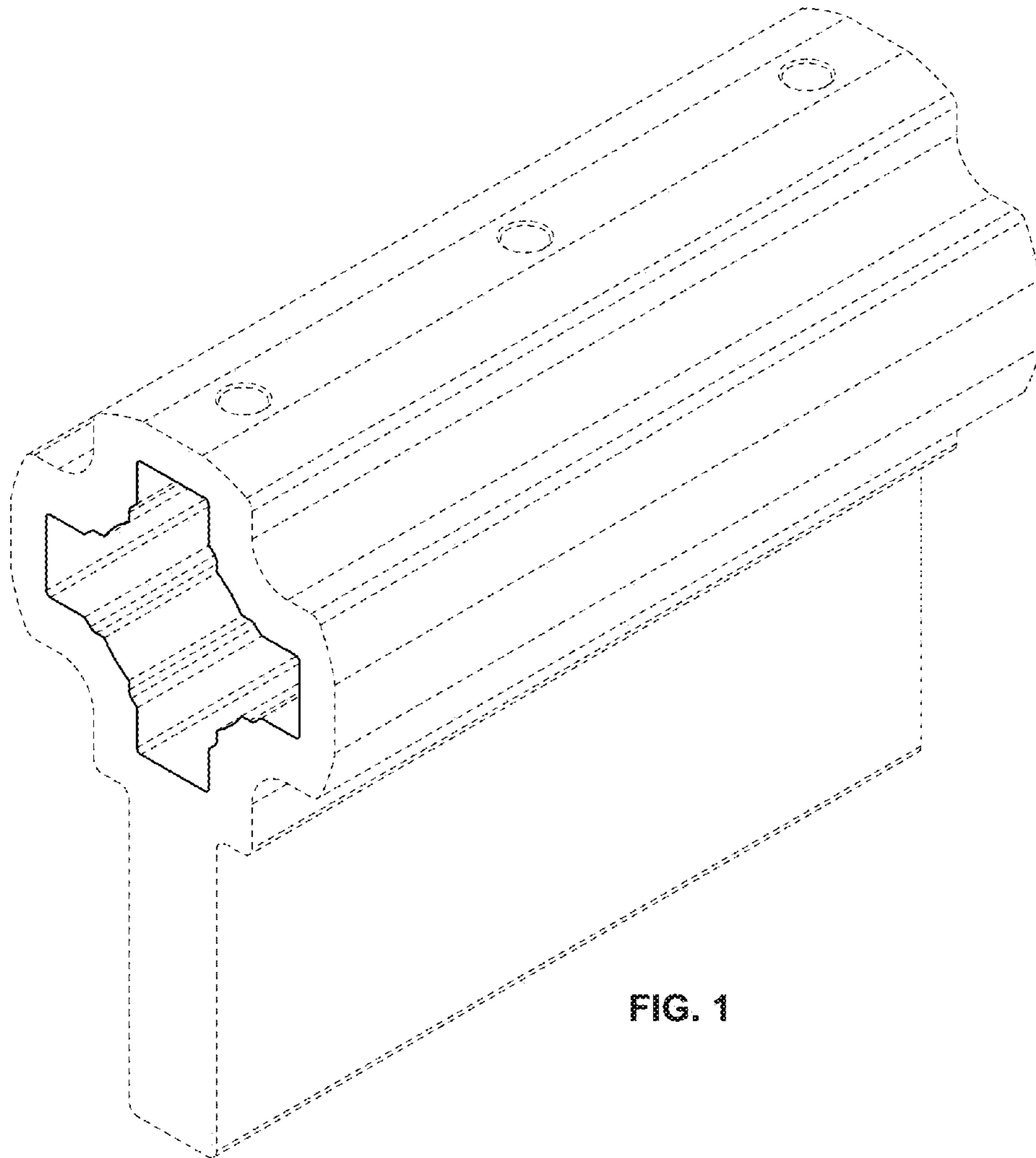


FIG. 1

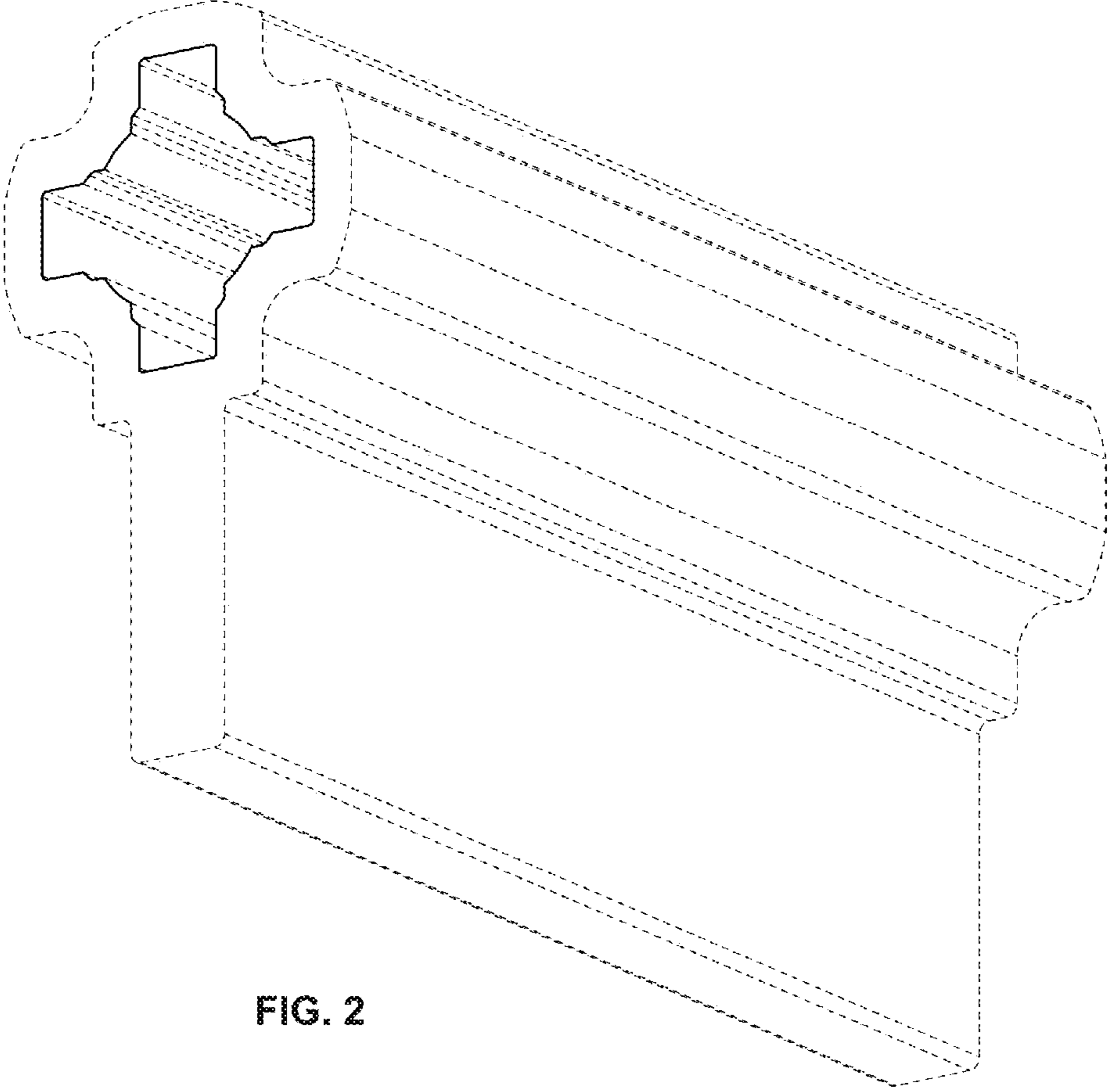


FIG. 2

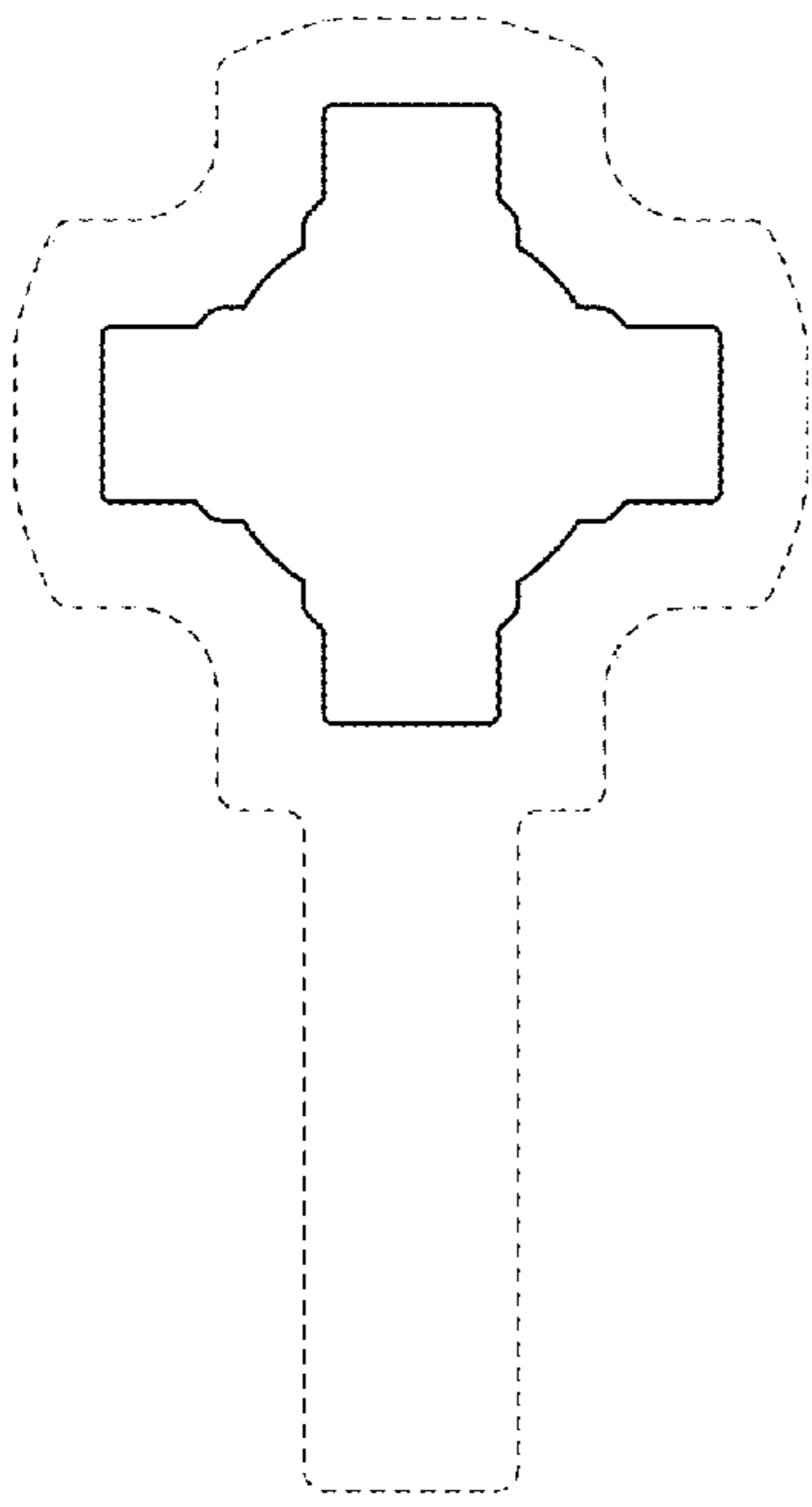


FIG. 3

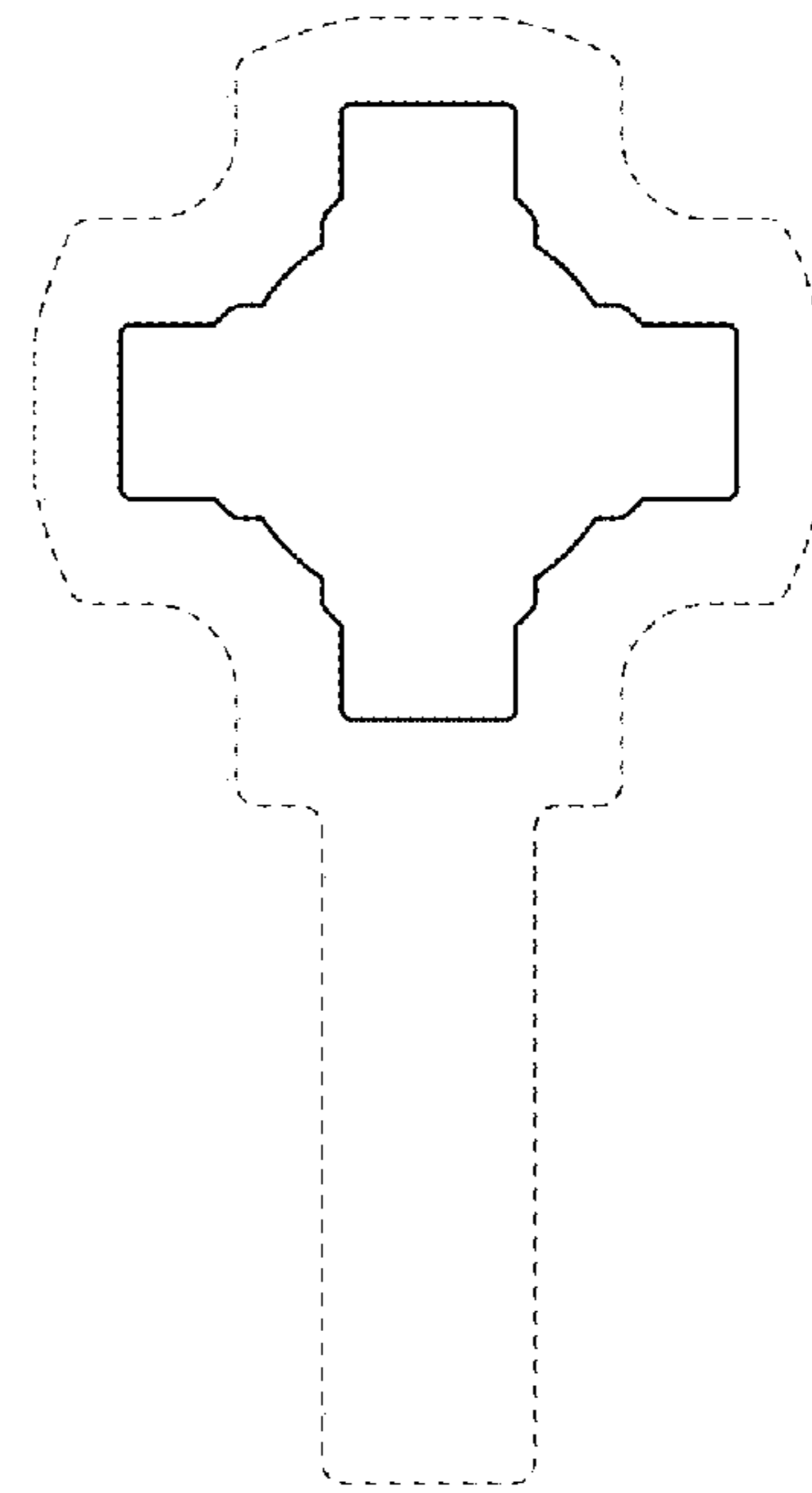


FIG. 4