



US00D762277S

(12) **United States Design Patent**
Juarez

(10) **Patent No.:** **US D762,277 S**
(45) **Date of Patent:** **** Jul. 26, 2016**

(54) **FIREARM CHASSIS**

(71) Applicant: **Justin R. Juarez**, Middleton, ID (US)

(72) Inventor: **Justin R. Juarez**, Middleton, ID (US)

(**) Term: **14 Years**

(21) Appl. No.: **29/512,716**

(22) Filed: **Dec. 22, 2014**

(51) **LOC (10) Cl.** **22-01**

(52) **U.S. Cl.**
USPC **D22/108**

(58) **Field of Classification Search**

USPC D22/103, 108; D21/572–575

CPC F41A 21/28; F41A 5/18; F41A 5/24;

F41C 23/00; F41C 27/00; F41C 27/06;

F41C 23/10; F41C 23/14; F41C 23/16;

F41C 23/18

See application file for complete search history.

(56) **References Cited**

U.S. PATENT DOCUMENTS

6,487,805	B1 *	12/2002	Reynolds	F41A 21/485 42/75.03
6,637,142	B1 *	10/2003	Reynolds	F41A 21/485 42/1.06
7,665,240	B1 *	2/2010	Bentley	F41A 11/02 42/71.01
7,726,060	B1 *	6/2010	Jones	F41A 3/66 42/75.02
7,802,392	B2	9/2010	Peterson et al.		
D670,782	S *	11/2012	Barrett	D22/103
D670,783	S *	11/2012	Barrett	D22/103
D682,973	S *	5/2013	KasanJian-King	D22/108
D704,294	S	5/2014	Jarboe		
D722,672	S *	2/2015	Juarez	D22/108
D738,965	S *	9/2015	Yang	D21/570
D739,478	S *	9/2015	Yang	D21/570
2011/0314717	A1	12/2011	Barrett		
2012/0023800	A1 *	2/2012	Laney	F41A 3/58 42/8

* cited by examiner

Primary Examiner — Michael A Pratt

(74) *Attorney, Agent, or Firm* — Geoffrey E. Dobbin;
Dobbin IP Law P.C.

(57) **CLAIM**

The ornamental design for a firearm chassis, as shown and described.

DESCRIPTION

FIG. 1 is a right elevation view of the claimed firearm chassis.

FIG. 2 is a left elevation view of the firearm chassis of FIG. 1.

FIG. 3 is a top plan view of the firearm chassis of FIG. 1.

FIG. 4 is a bottom plan view of the firearm chassis of FIG. 1.

FIG. 5 is a front elevation view of the firearm chassis of FIG. 1.

FIG. 6 is a rear elevation view of the firearm chassis of FIG. 1.

FIG. 7 is a bottom rear perspective view of the firearm chassis of FIG. 1.

FIG. 8 is a top front perspective view of the firearm chassis of FIG. 1.

FIG. 9 is a top rear perspective view of the firearm chassis of FIG. 1.

FIG. 10 is a bottom front perspective view of the firearm chassis of FIG. 1.

FIG. 11 is a bottom rear perspective view of the firearm chassis of FIG. 1.

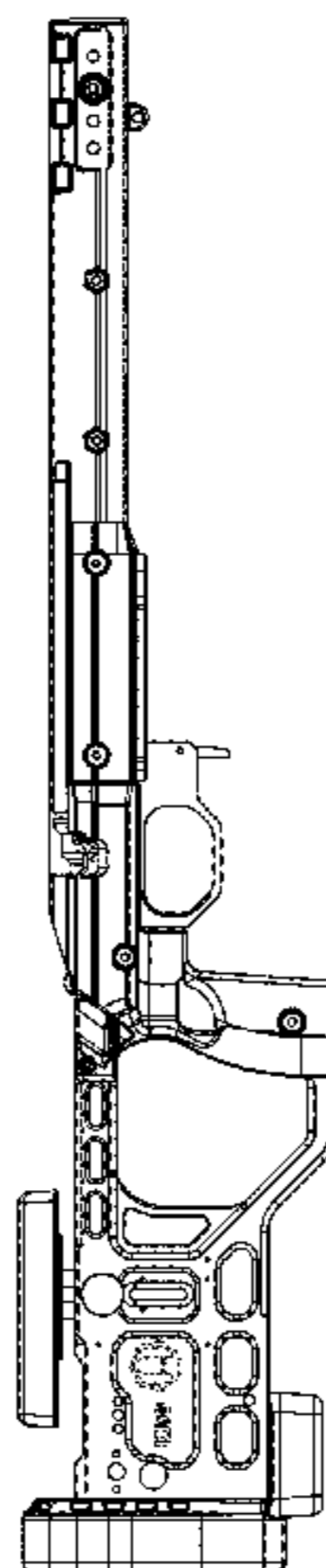
FIG. 12 is a top front perspective view of the firearm chassis of FIG. 1.

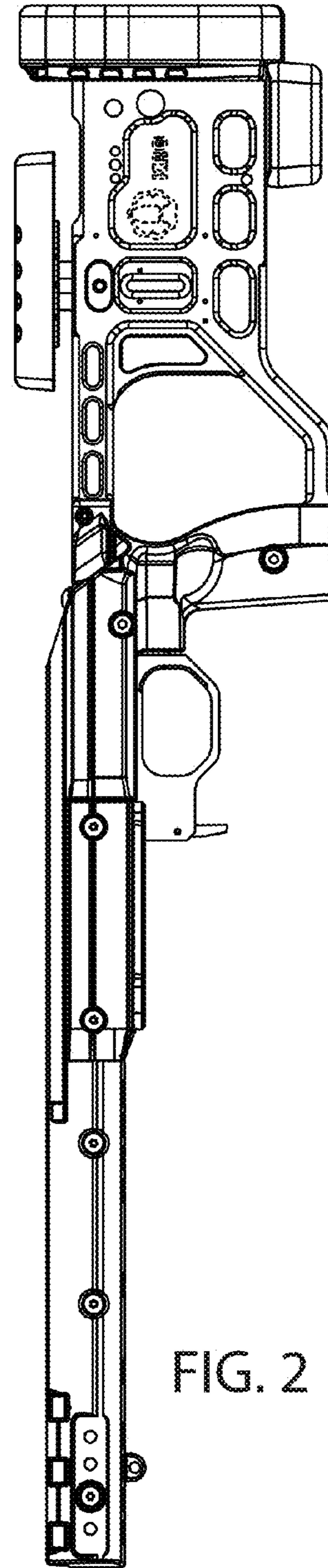
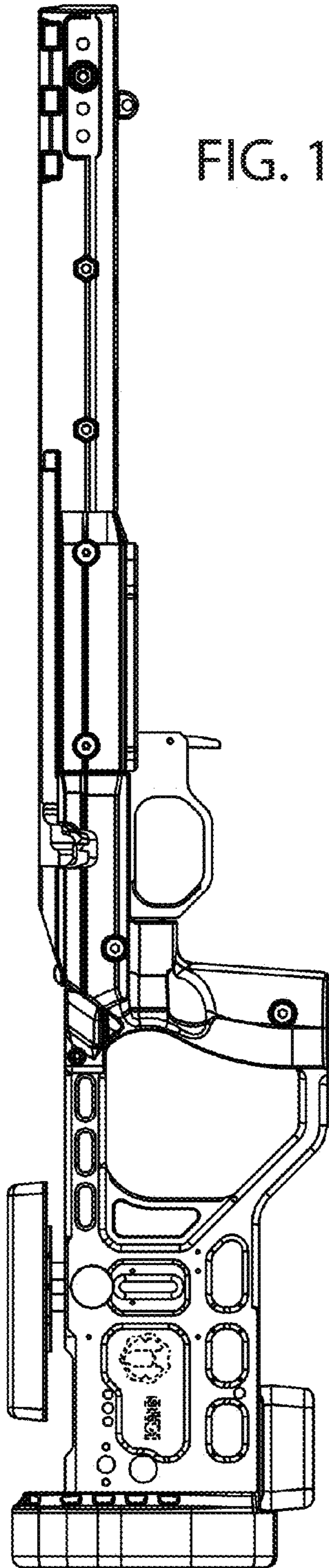
FIG. 13 is a top rear perspective view of the firearm chassis of FIG. 1; and,

FIG. 14 is a bottom front perspective view of the firearm chassis of FIG. 1.

The broken lines in FIGS. 1, 2, and 7-14 depict a logo and are illustrative of environment and not intended to form a part of the claimed design.

1 Claim, 10 Drawing Sheets





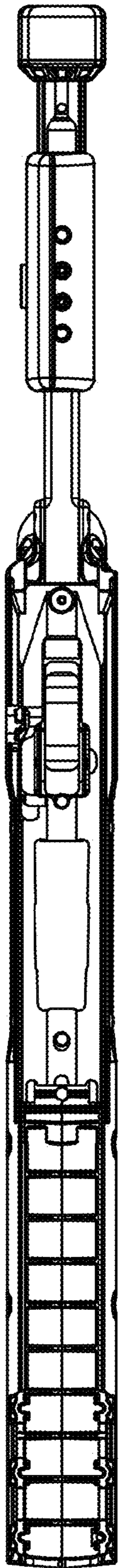


FIG. 3

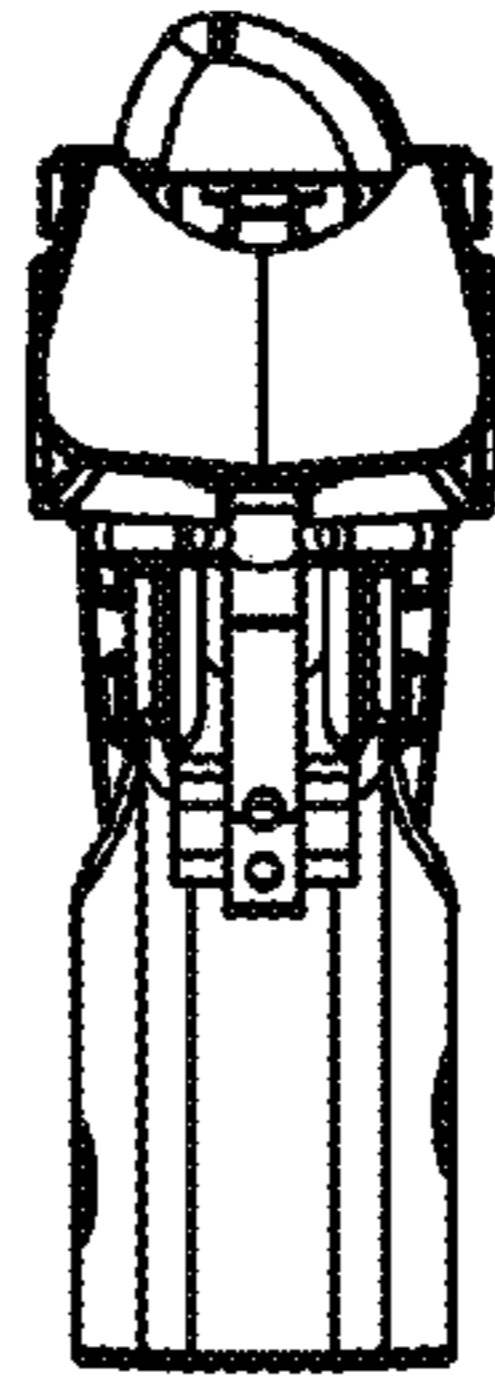


FIG. 5

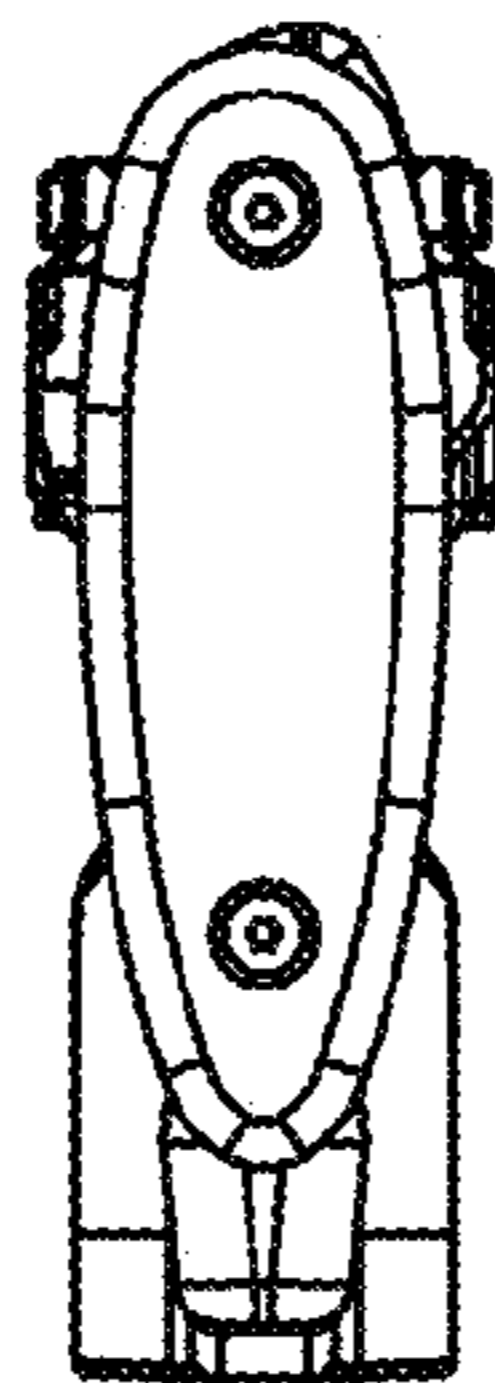


FIG. 6

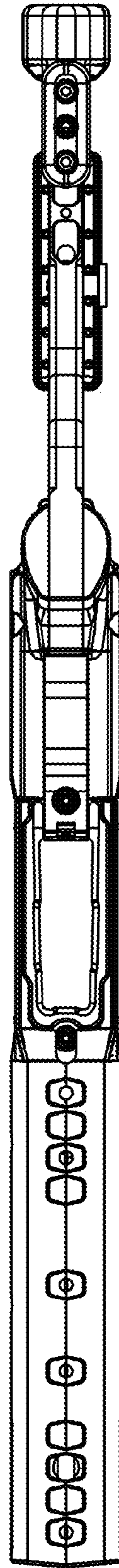


FIG. 4

FIG. 7

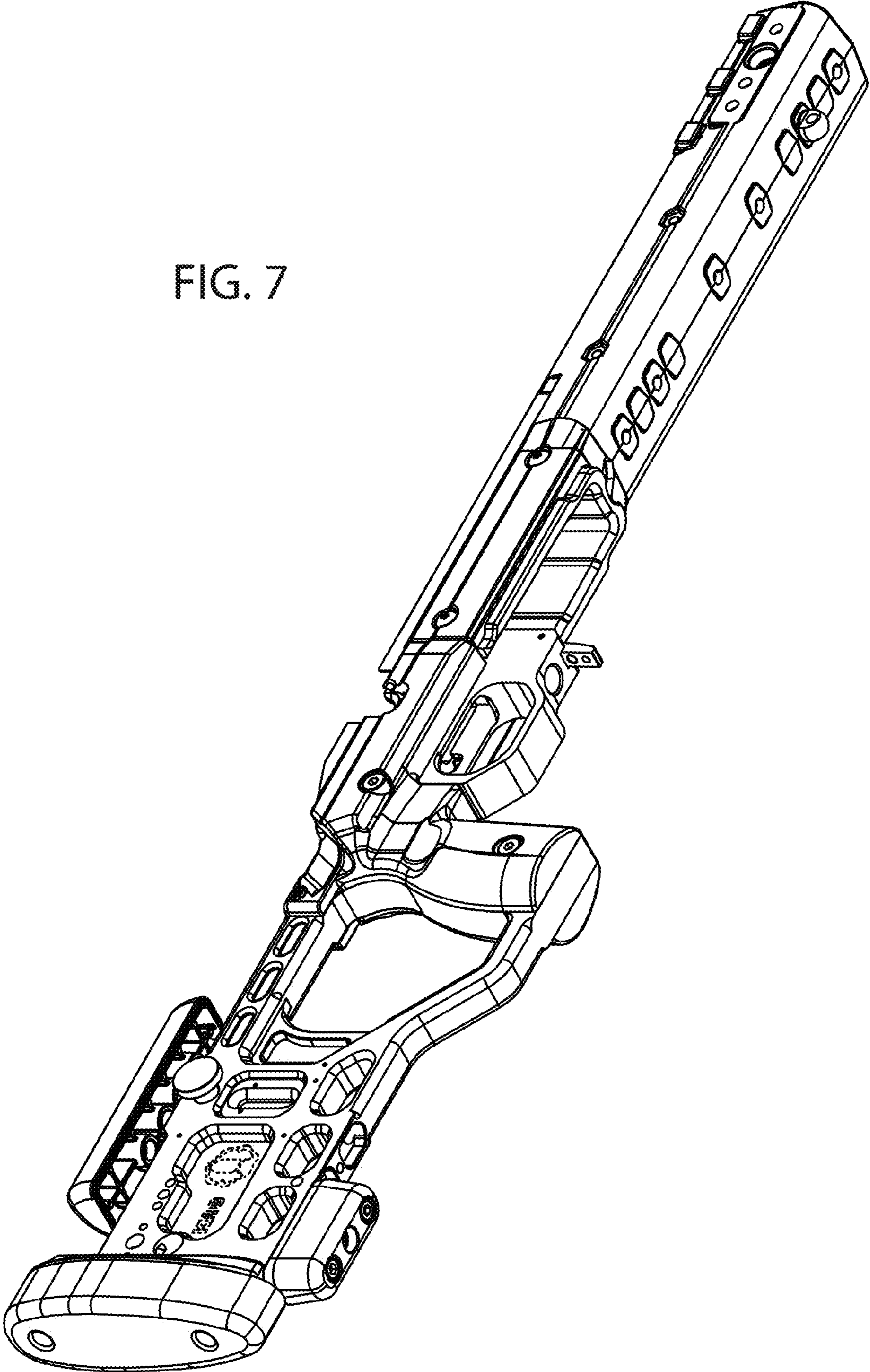
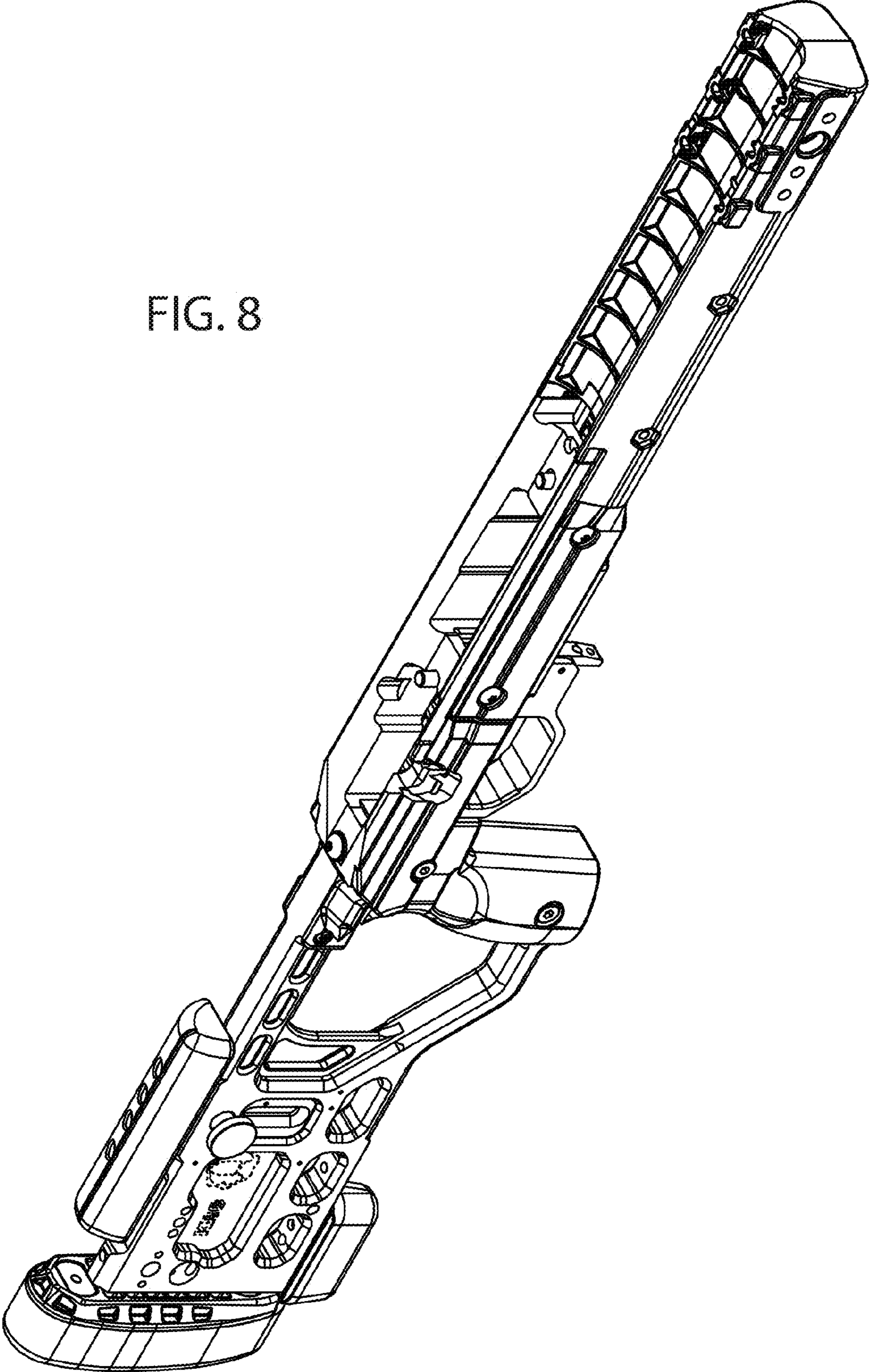


FIG. 8



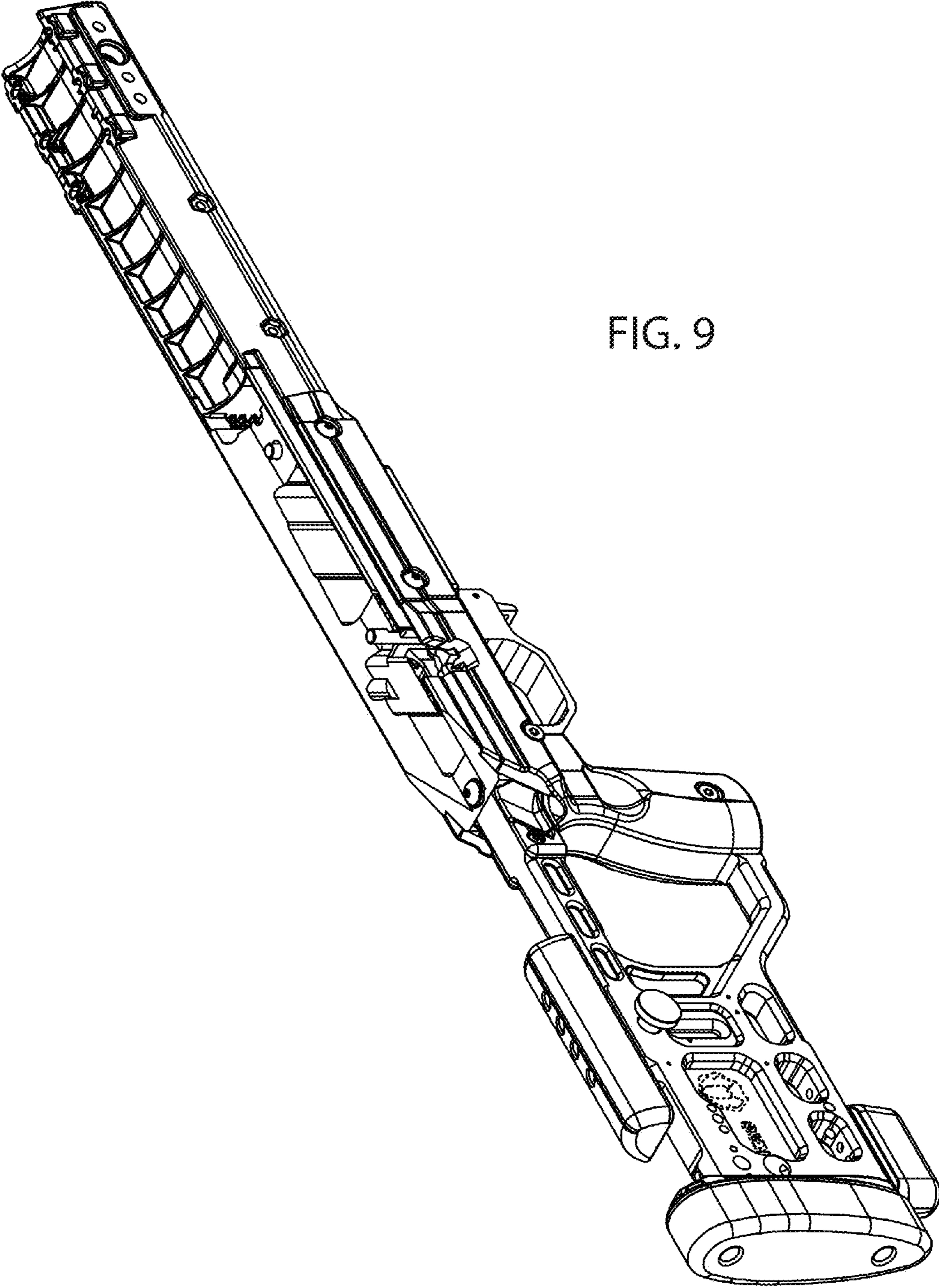


FIG. 9

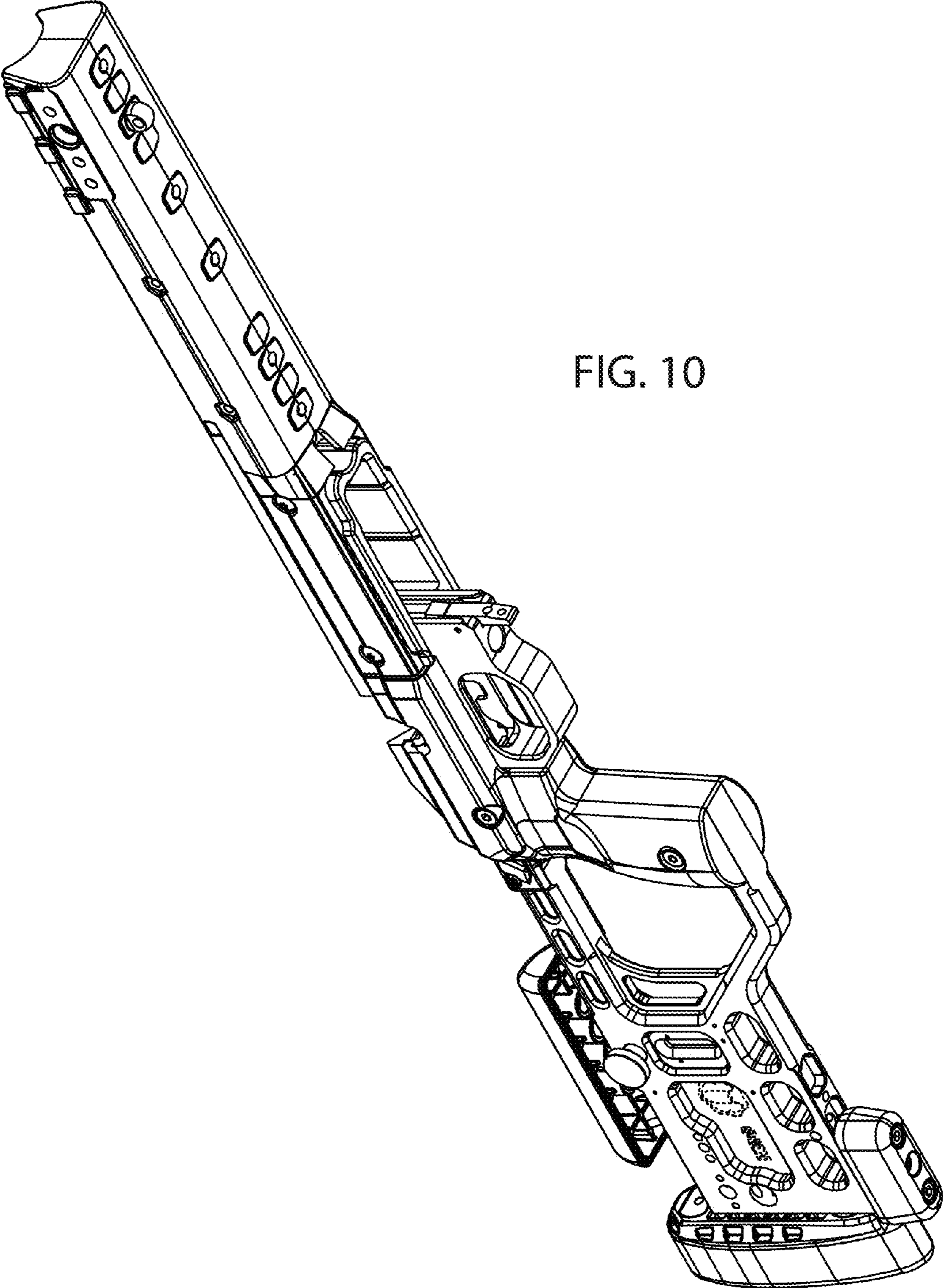


FIG. 10

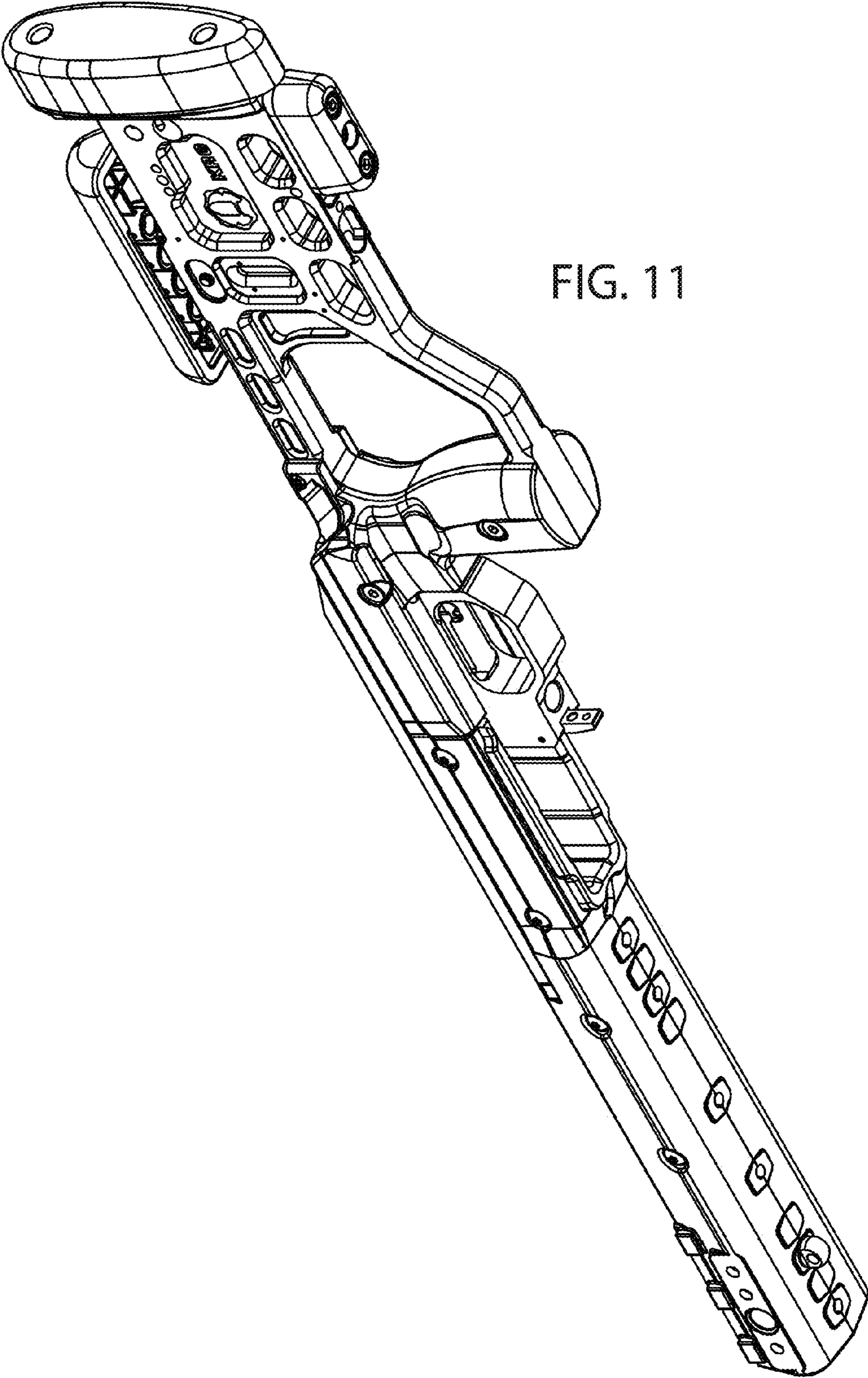


FIG. 11

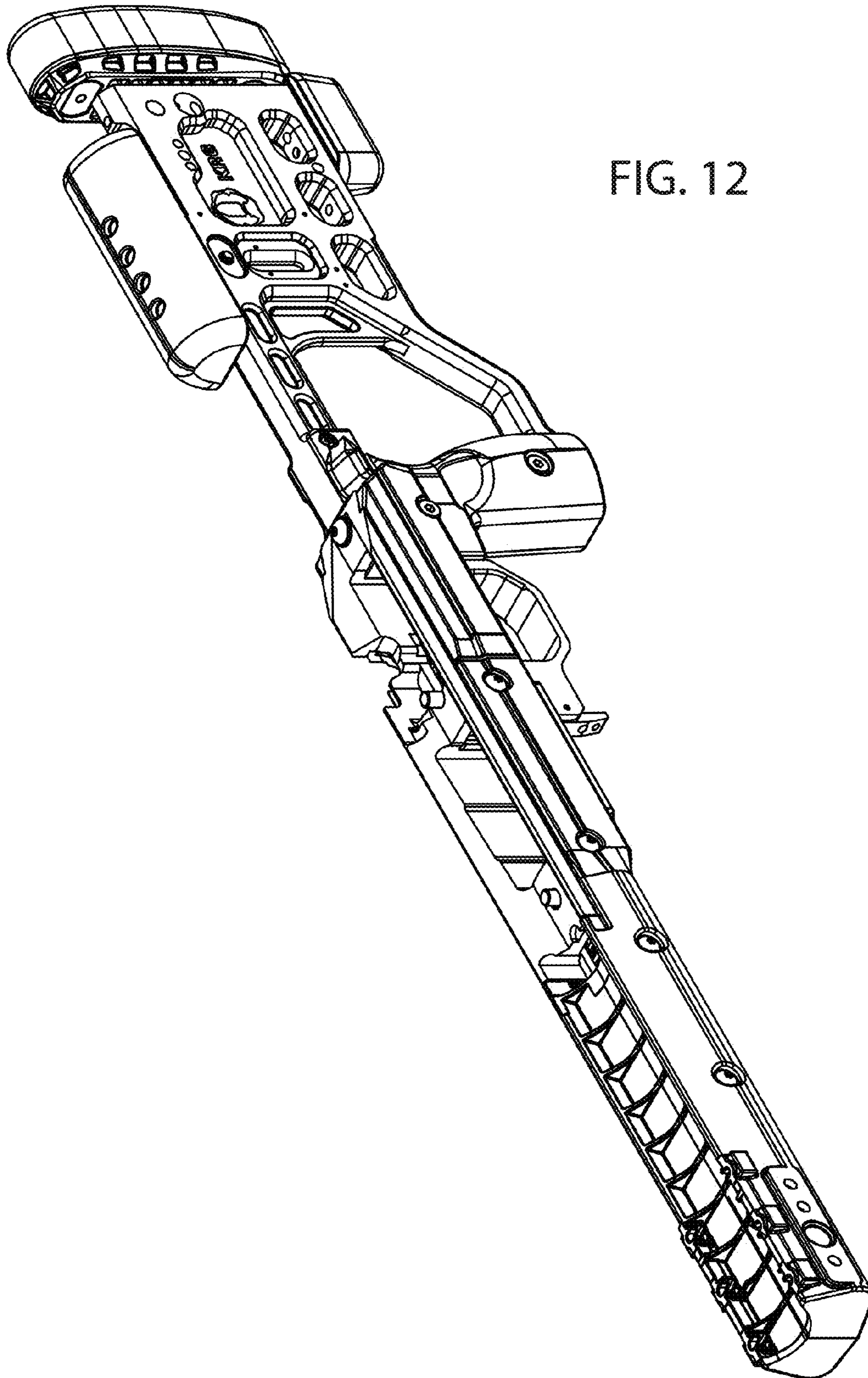


FIG. 13

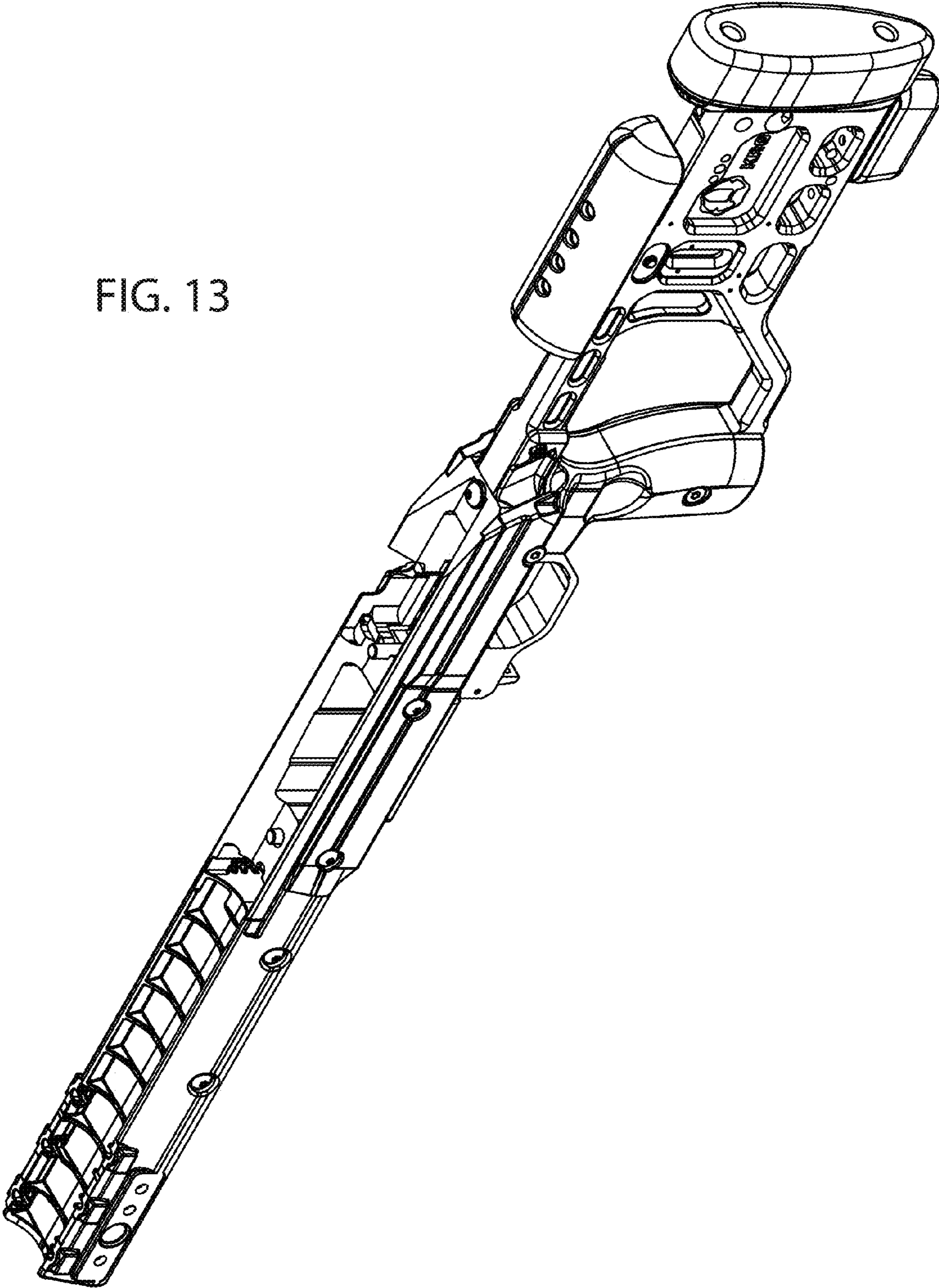


FIG. 14

