



US00D762276S

(12) **United States Design Patent**
Pittman

(10) **Patent No.:** **US D762,276 S**
(45) **Date of Patent:** **** Jul. 26, 2016**

- (54) **LIGHT BODY MOUNT**
- (71) Applicant: **Impact Weapons Components, LLC**,
Timnath, CO (US)
- (72) Inventor: **Earl L. Pittman**, Fort Collins, CO (US)
- (73) Assignee: **Impact Weapons Components, LLC**,
Timnath, CO (US)
- (**) Term: **14 Years**
- (21) Appl. No.: **29/502,654**
- (22) Filed: **Sep. 18, 2014**
- (51) **LOC (10) Cl.** **22-01**
- (52) **U.S. Cl.**
USPC **D22/108**
- (58) **Field of Classification Search**
USPC D22/108-109; D26/24-27, 38, 40, 42,
D26/46-47, 51, 60, 113, 118, 130-133, 136
CPC F41G 1/35; F41G 1/345
See application file for complete search history.

D710,965 S *	8/2014	Eitan	D22/108
D715,886 S *	10/2014	Pittman	D22/109
D724,687 S *	3/2015	Pittman	D22/108
D732,631 S *	6/2015	Cheng	D22/109
D741,446 S *	10/2015	Cheng	D22/109
2010/0122485 A1*	5/2010	Kincel	F41G 11/004 42/146

* cited by examiner

Primary Examiner — Michael A Pratt
(74) *Attorney, Agent, or Firm* — Cooley LLP

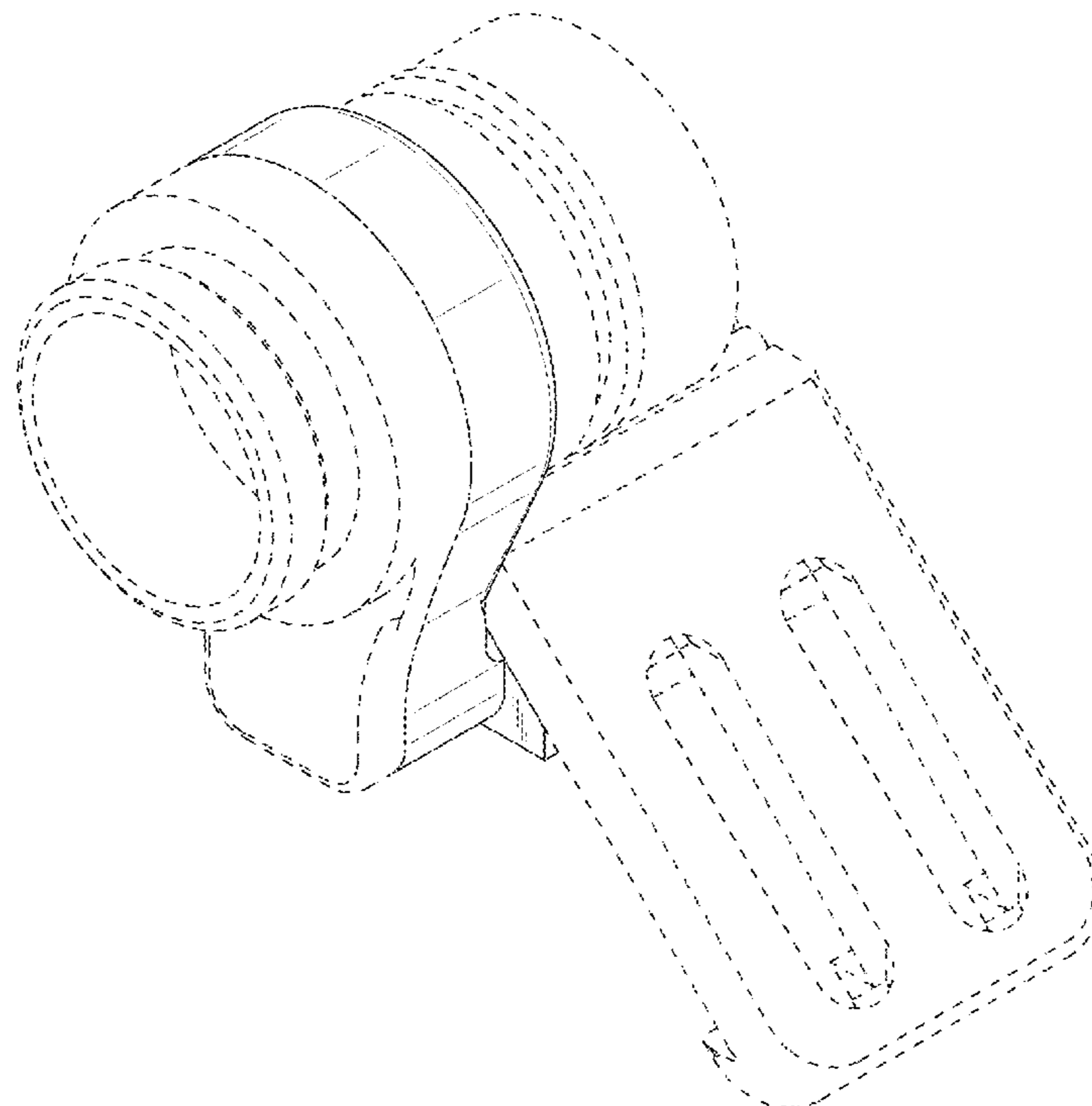
(57) **CLAIM**
The ornamental design for a light body mount, as shown and described.

DESCRIPTION

FIG. 1 is a perspective view of the light body mount;
FIG. 2 is another perspective view;
FIG. 3 is a top view;
FIG. 4 is a bottom view;
FIG. 5 is a front view;
FIG. 6 is a back view;
FIG. 7 is a left side view; and,
FIG. 8 is a right side view.
The broken lines immediately adjacent the shaded areas represent the bounds of the claimed design while all other broken lines are directed to environment and are for illustrative purposes only; the broken lines form no part of the claimed design.

1 Claim, 8 Drawing Sheets

- (56) **References Cited**
U.S. PATENT DOCUMENTS
7,441,364 B2 * 10/2008 Rogers F41G 1/35
42/114
7,562,484 B2 * 7/2009 Kim F41G 11/003
24/282



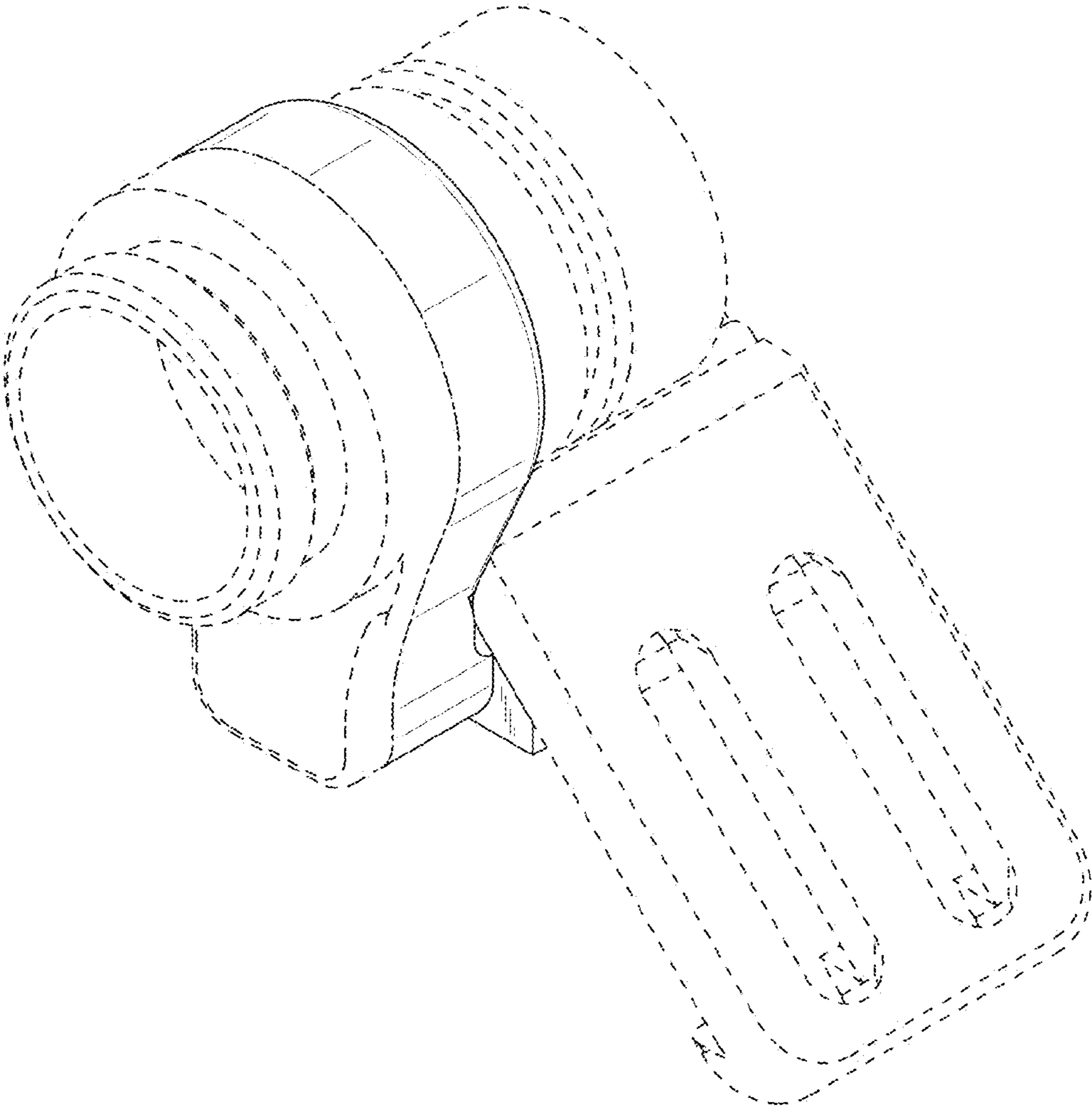


FIG. 1

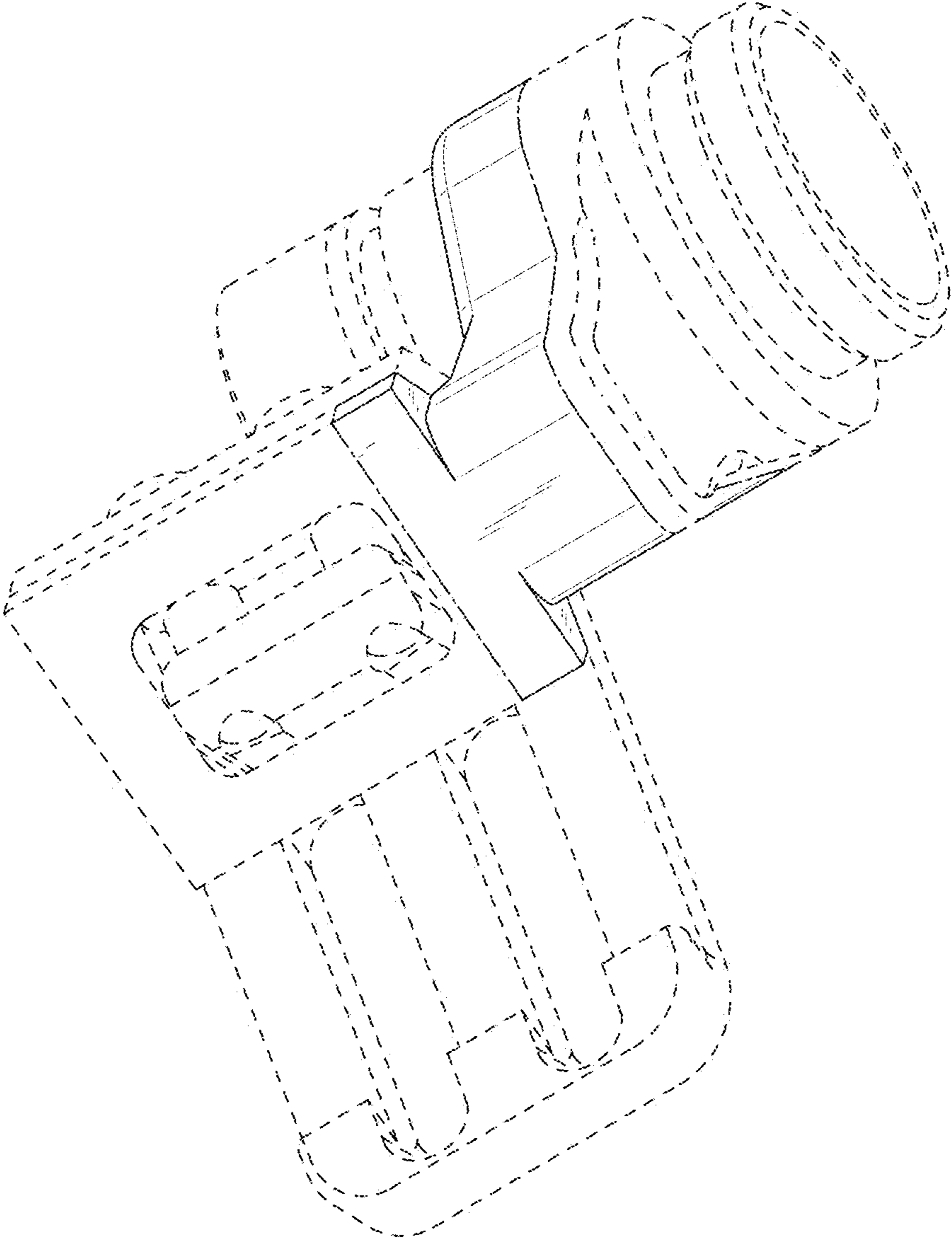


FIG. 2

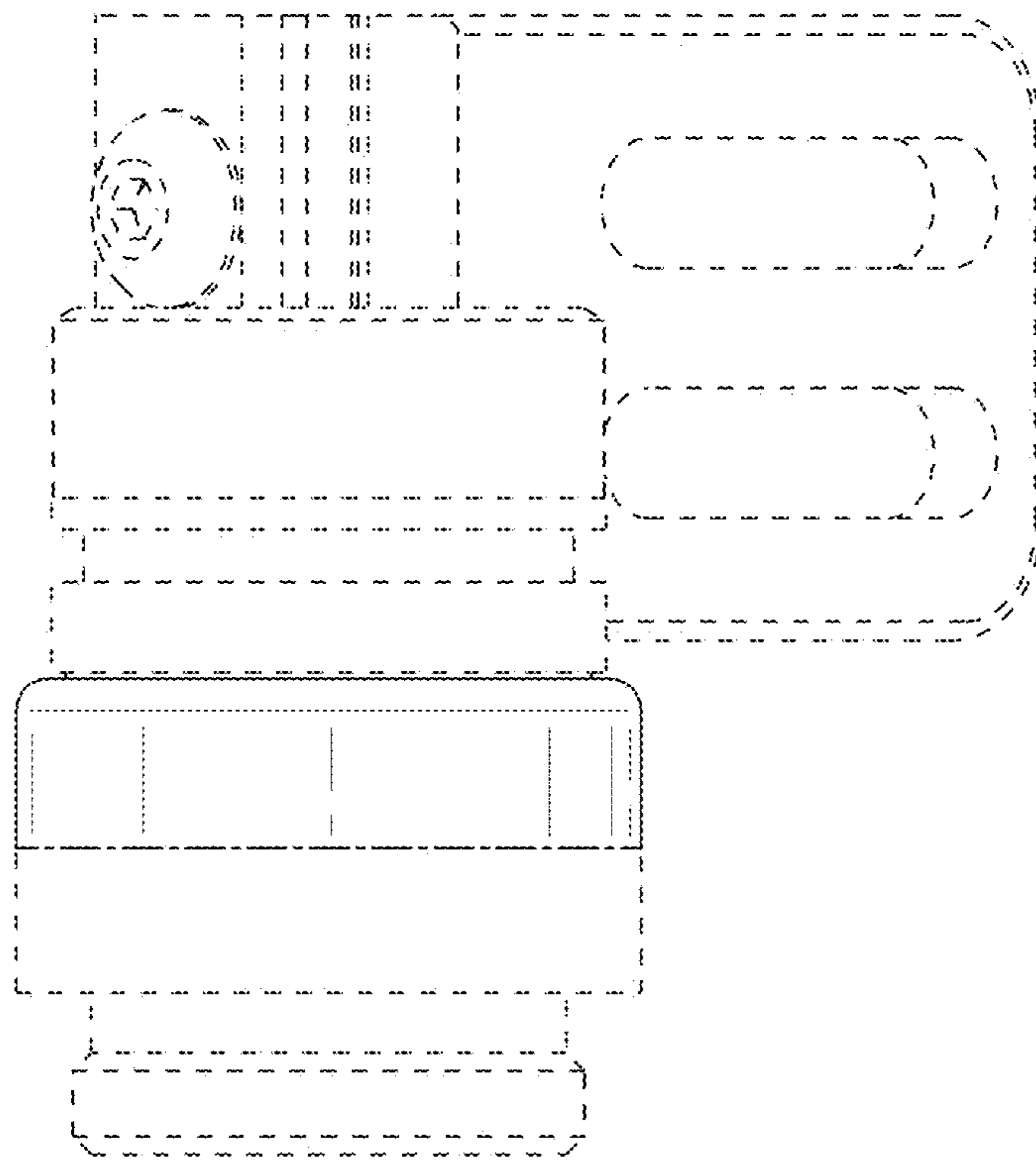


FIG. 3

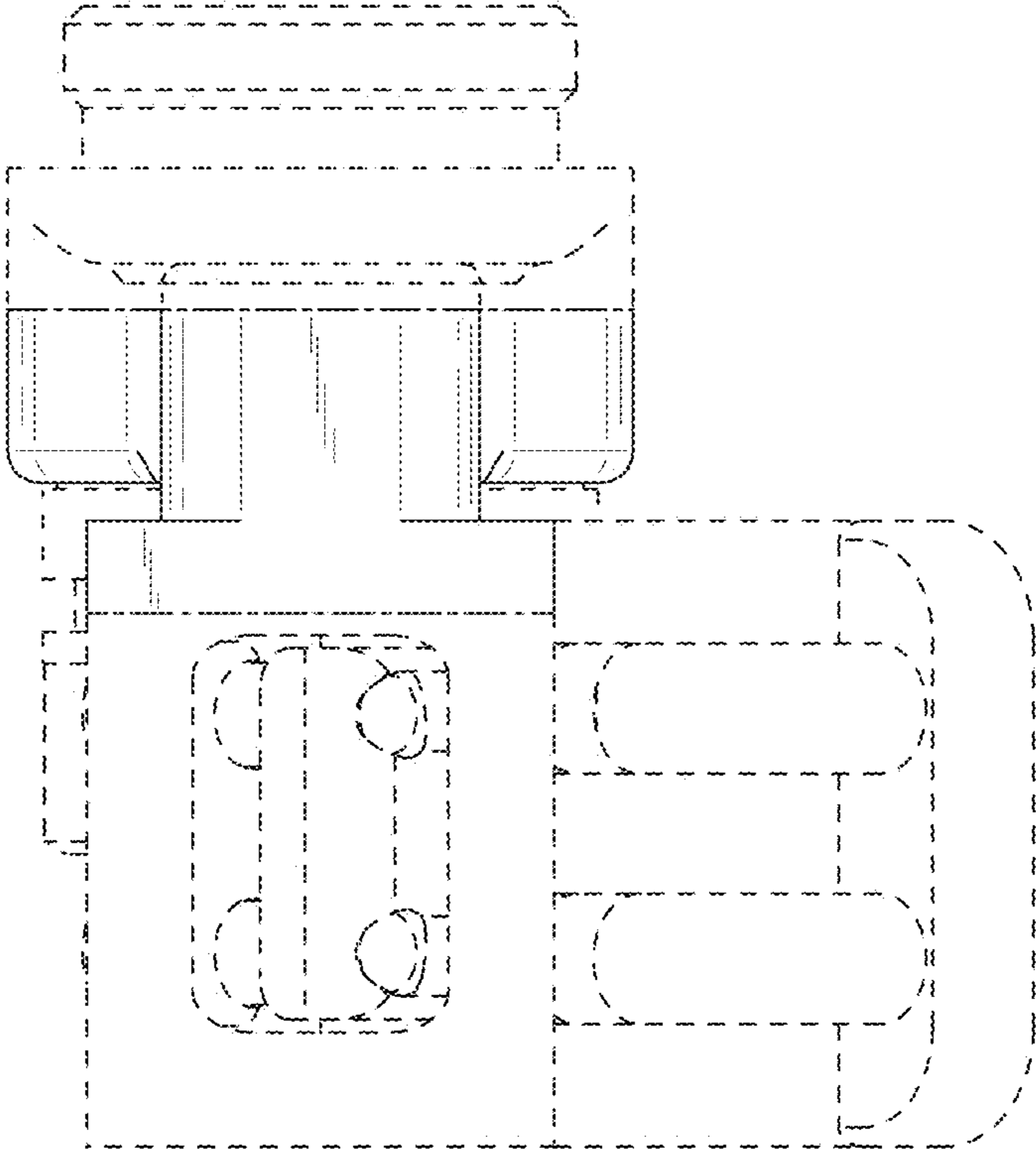


FIG. 4

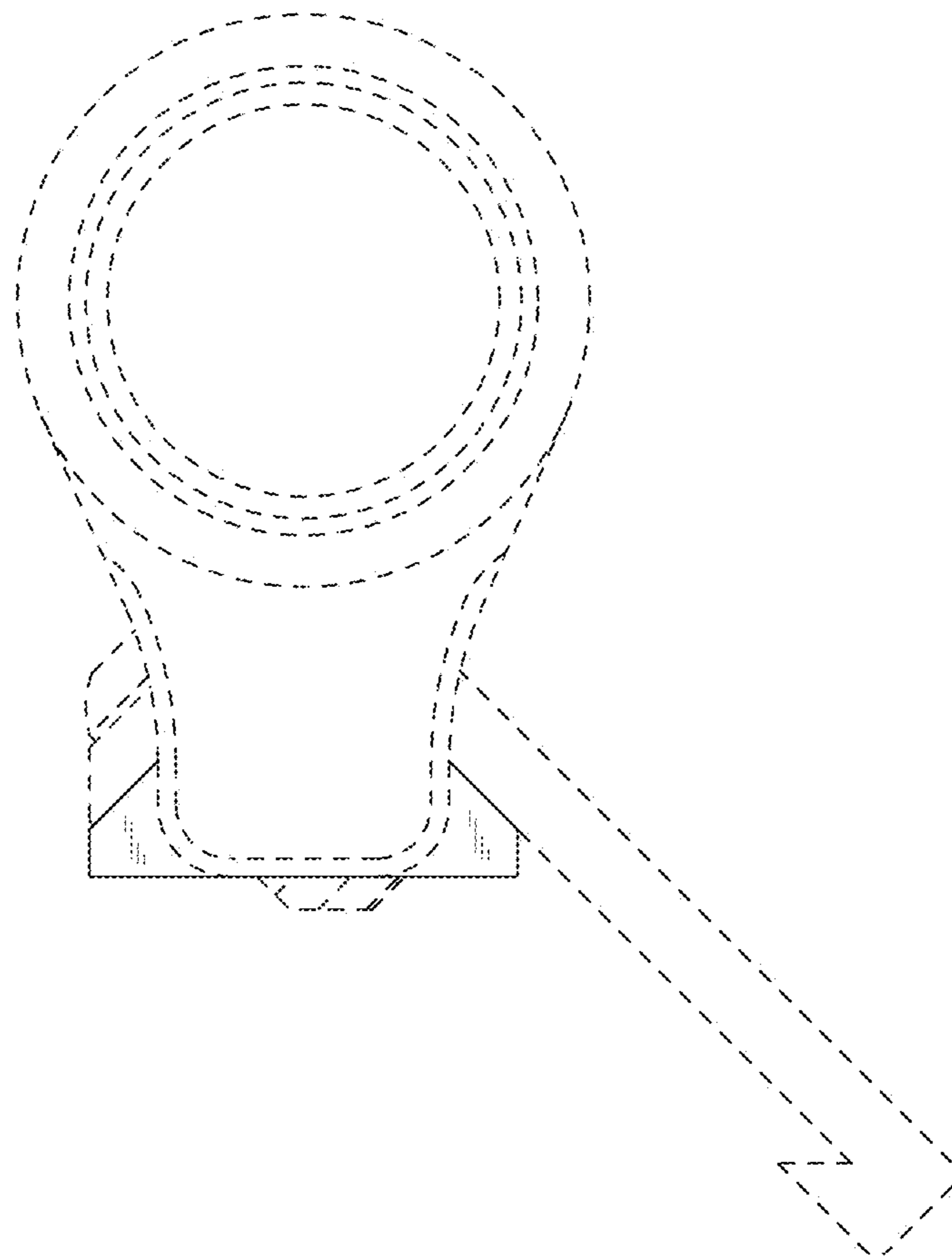


FIG. 5

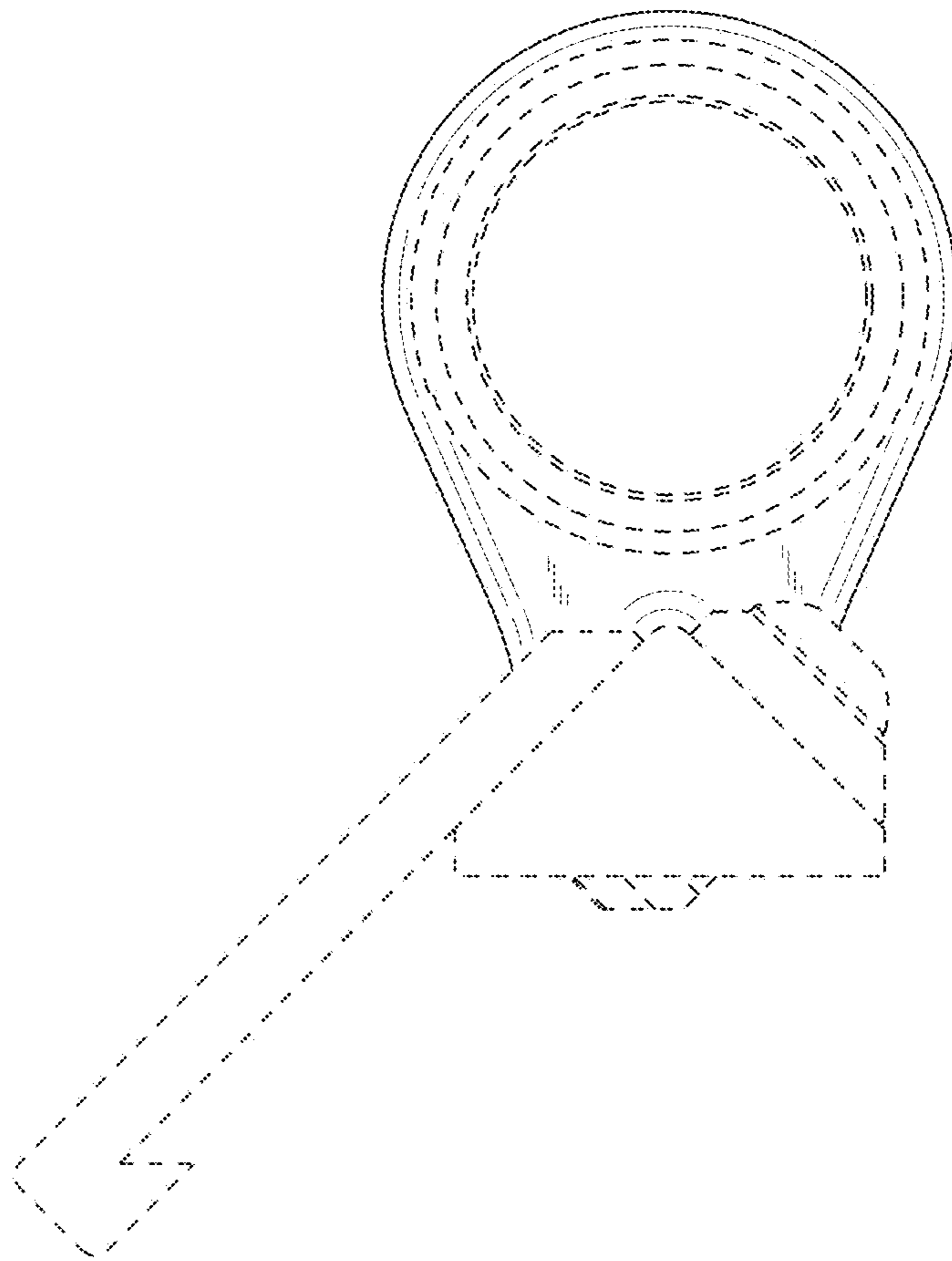


FIG. 6

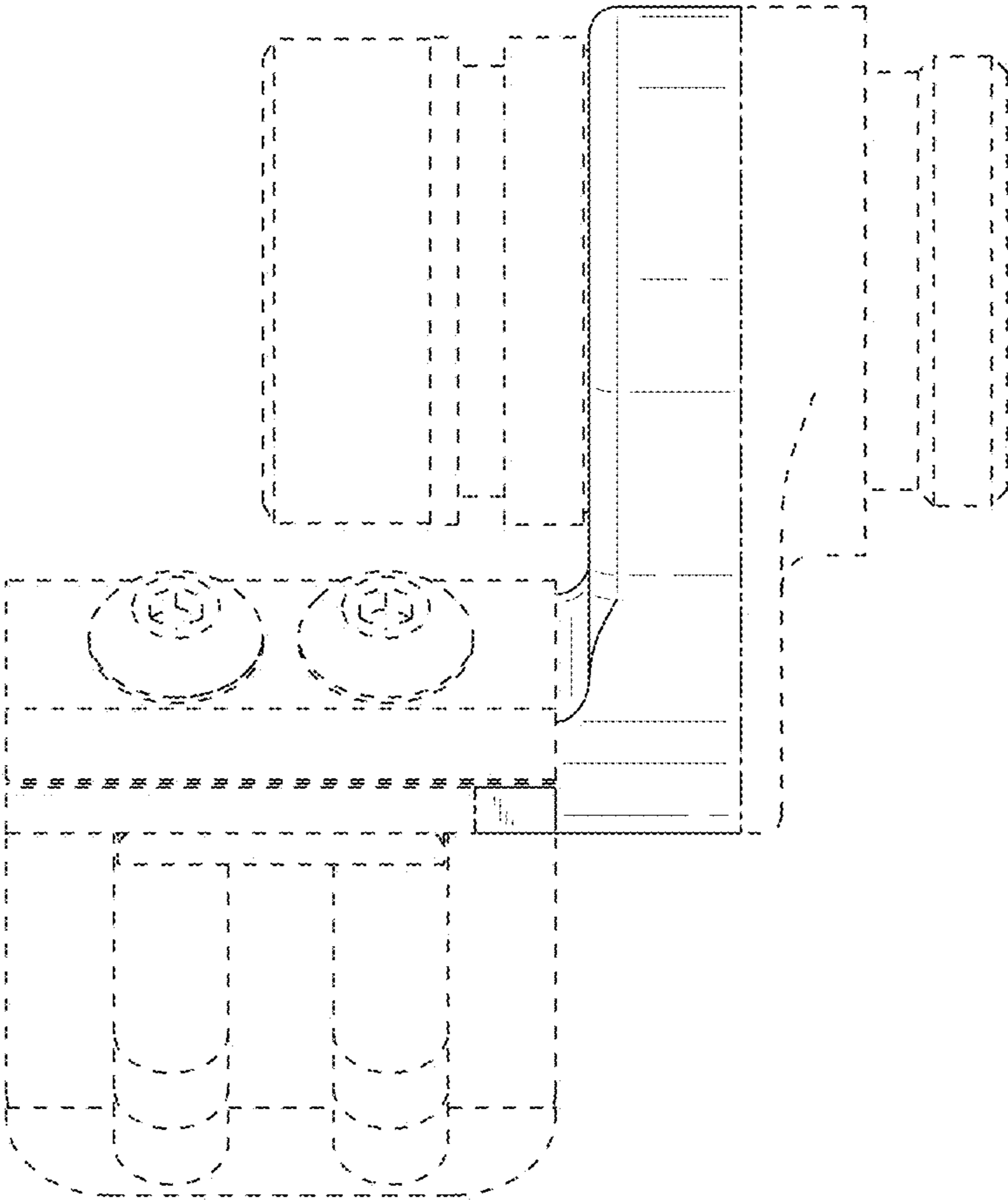


FIG. 7

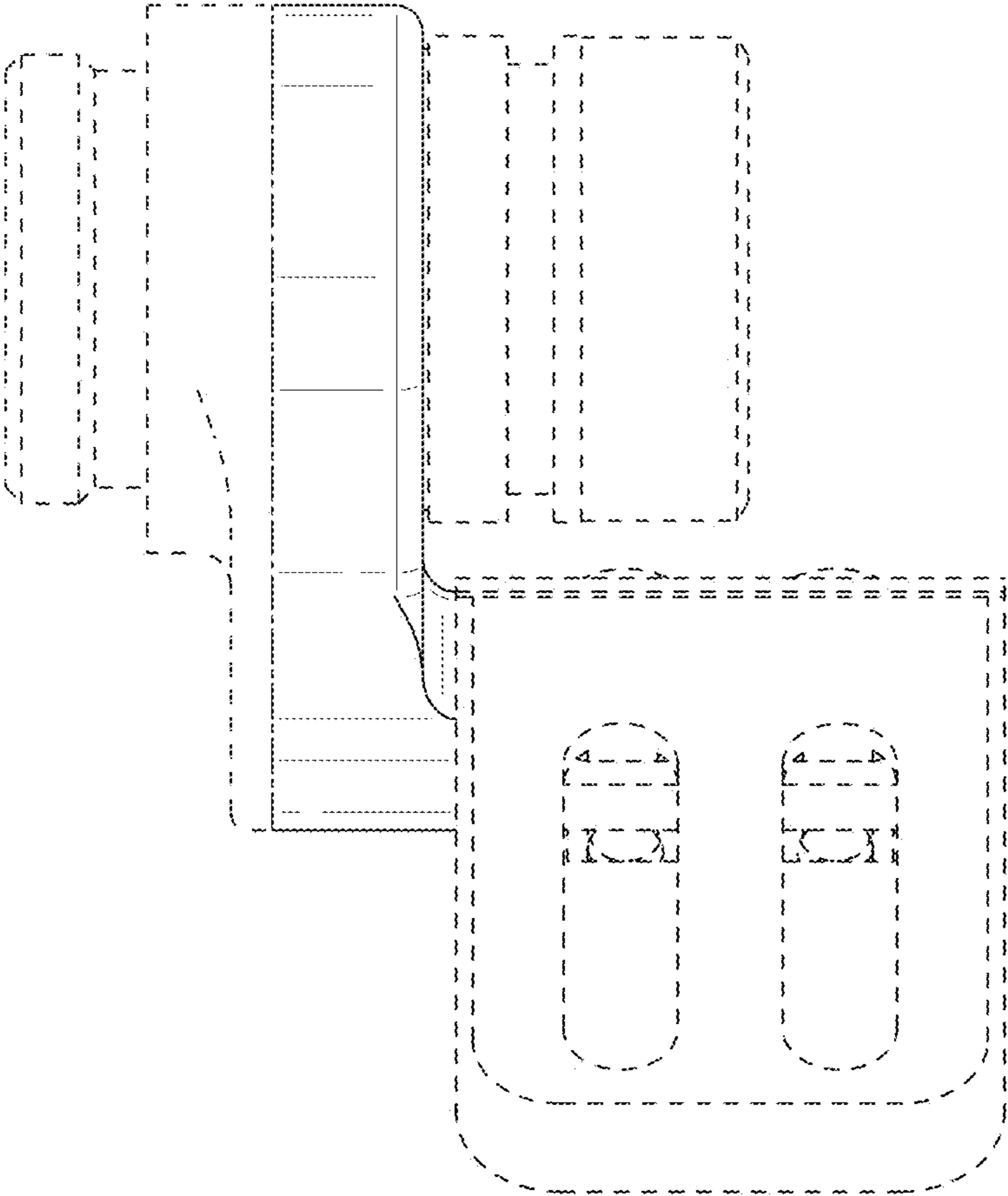


FIG. 8