



US00D762273S

(12) **United States Design Patent**  
**Pollitt**

(10) **Patent No.:** **US D762,273 S**  
(45) **Date of Patent:** **\*\* Jul. 26, 2016**

(54) **TEE CADDIE**

(71) Applicant: **Matthew Pollitt**, Orlando, FL (US)

(72) Inventor: **Matthew Pollitt**, Orlando, FL (US)

(\*\*) Term: **14 Years**

(21) Appl. No.: **29/491,785**

(22) Filed: **May 23, 2014**

(51) **LOC (10) Cl.** ..... **21-02**

(52) **U.S. Cl.**  
USPC ..... **D21/759**

(58) **Field of Classification Search**  
USPC ..... D21/759, 796; D3/221, 224  
CPC ..... A63B 47/001; A63B 47/00; A63B 67/002  
See application file for complete search history.

www.standardgolf.com/tee-markers/item/broken-tee-cad-  
die?category\_id=28; retrieved Oct. 15, 2014.  
www.duchell.com/broken\_tee\_caddies.htm; retrieved Oct. 15,  
2014.  
www.fixya.com/support/p11911653-kirby\_built\_broken\_tee\_  
caddie; retrieved Oct. 15, 2014.  
web.archive.org/web/20121205013651/http://www.barrdisplay.  
com/store\_fixtures/Green\_Line\_Recycled\_Broken\_Tee\_Cad-  
die/1506\_362\_0.html; retrieved Oct. 16, 2014.

\* cited by examiner

*Primary Examiner* — George D Kirschbaum  
(74) *Attorney, Agent, or Firm* — Wegman, Hessler, &  
Vanderburg

(57) **CLAIM**  
The ornamental design for a tee caddie, as shown and  
described.

(56) **References Cited**

U.S. PATENT DOCUMENTS

4,106,678	A	8/1978	Thomas	
D254,940	S	5/1980	Thomas	
4,475,676	A	10/1984	Smith	
D306,375	S *	3/1990	Stack	D3/224
D412,958	S *	8/1999	Sisson	D21/796
D448,555	S *	10/2001	deLong	D3/221
D464,193	S *	10/2002	Leung	D3/221
D474,016	S *	5/2003	Childers	D3/221
D618,139	S	6/2010	Whitfield	
D645,928	S *	9/2011	Huang	D21/796

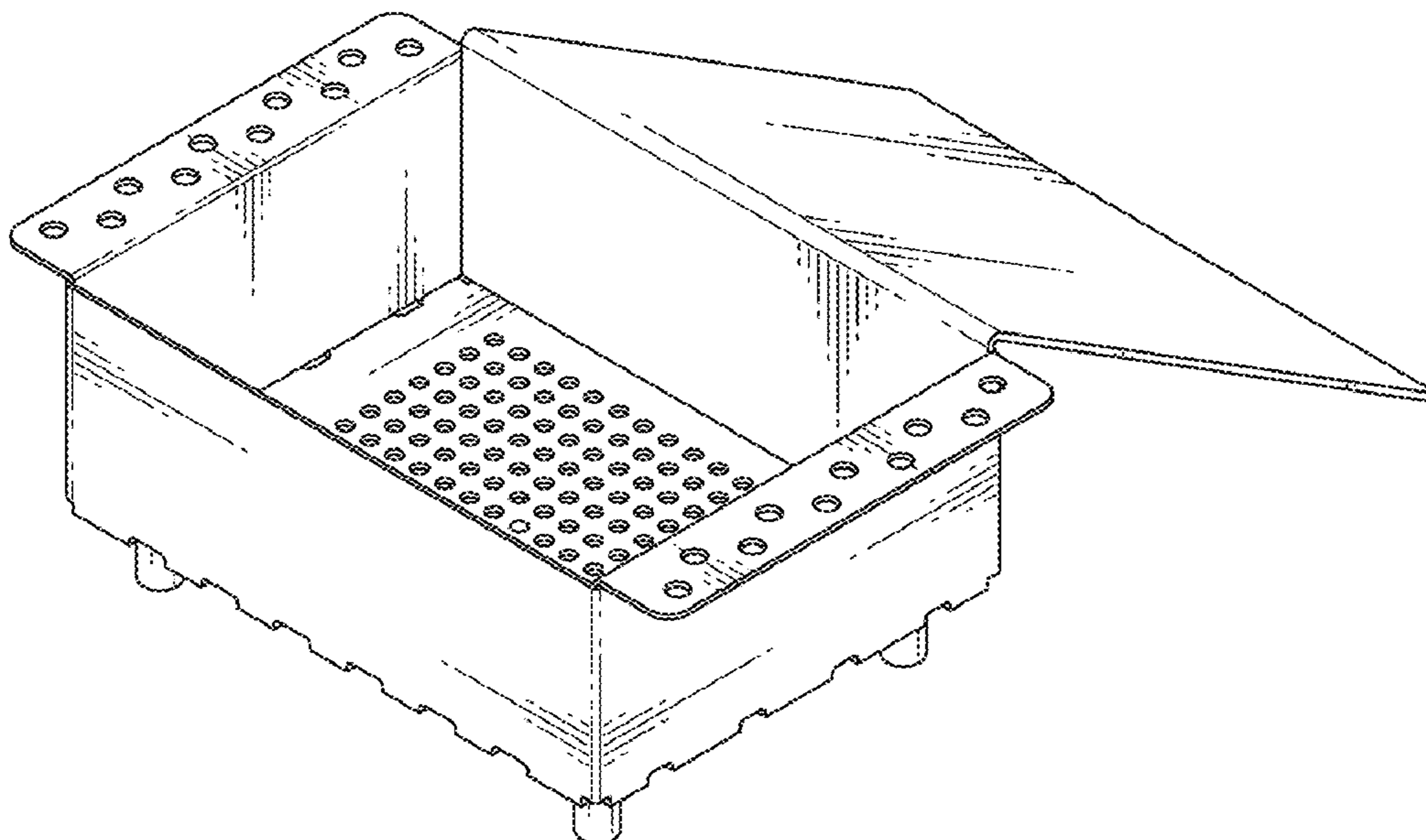
OTHER PUBLICATIONS

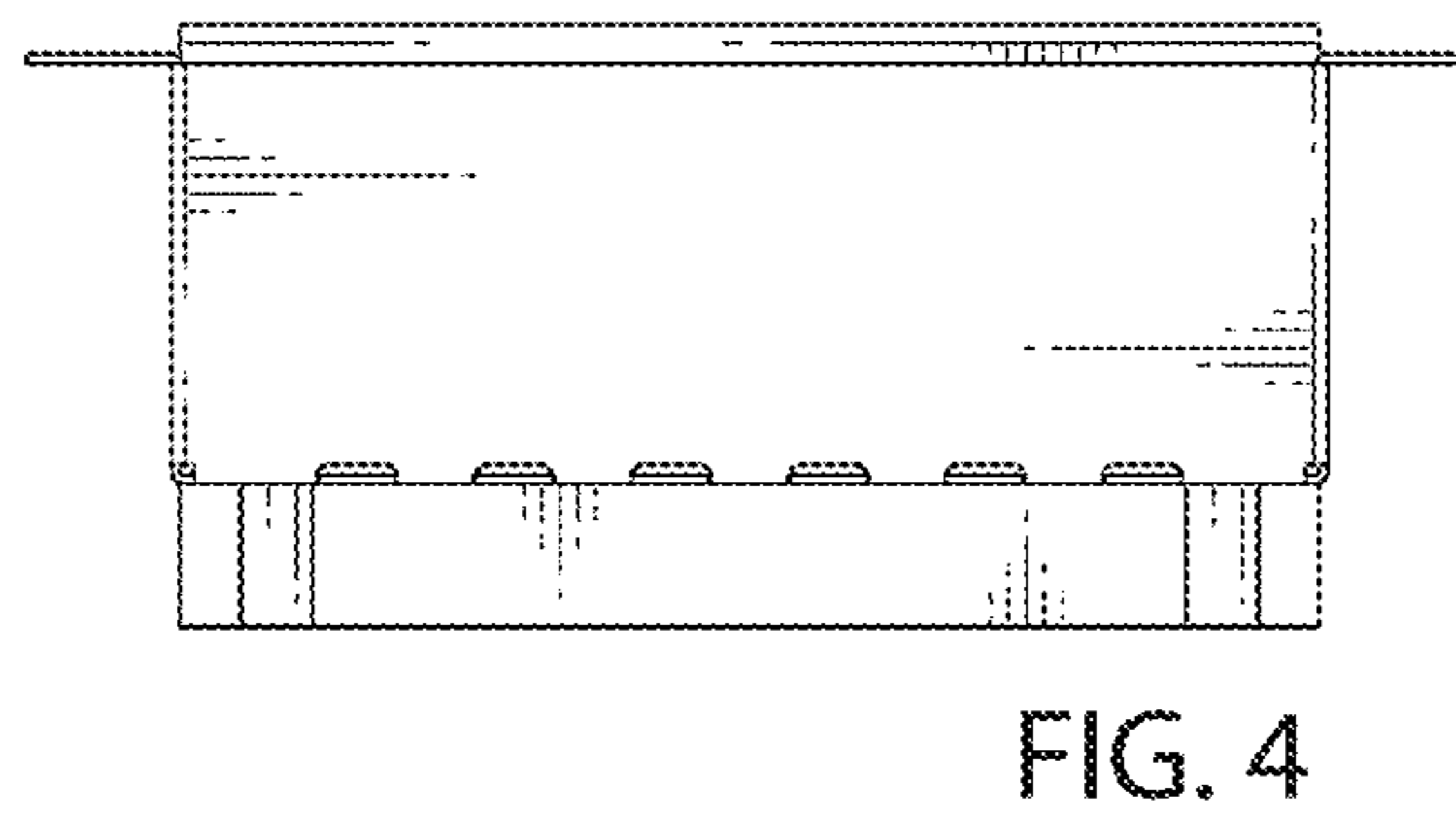
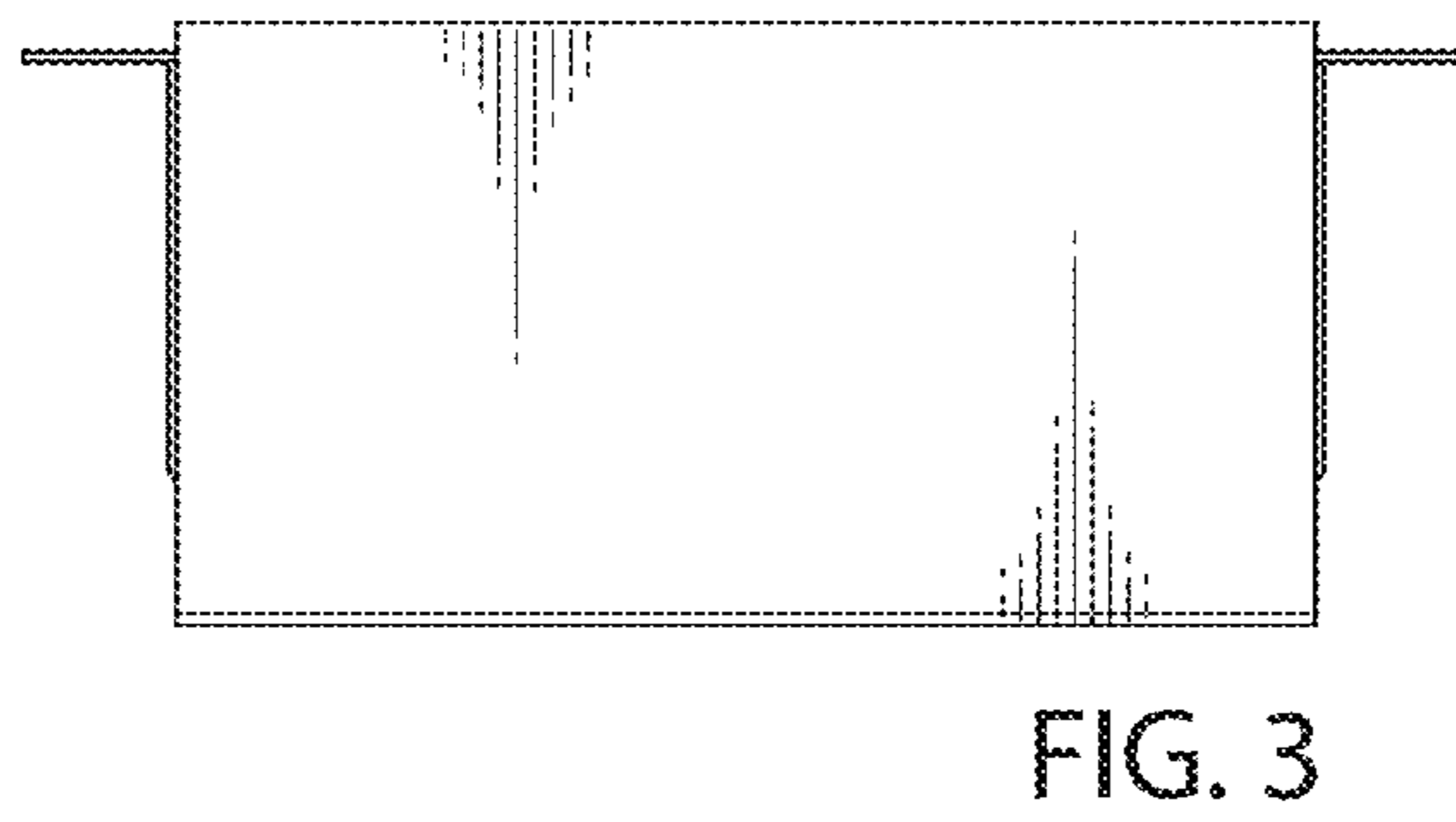
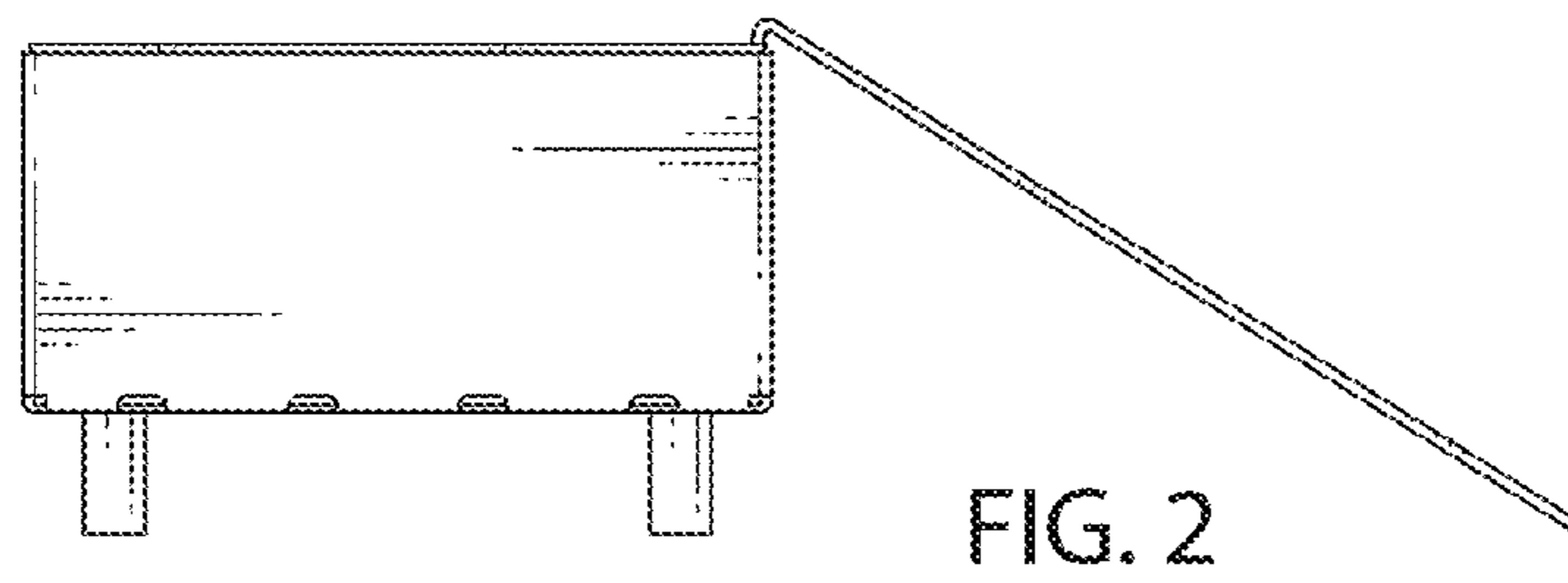
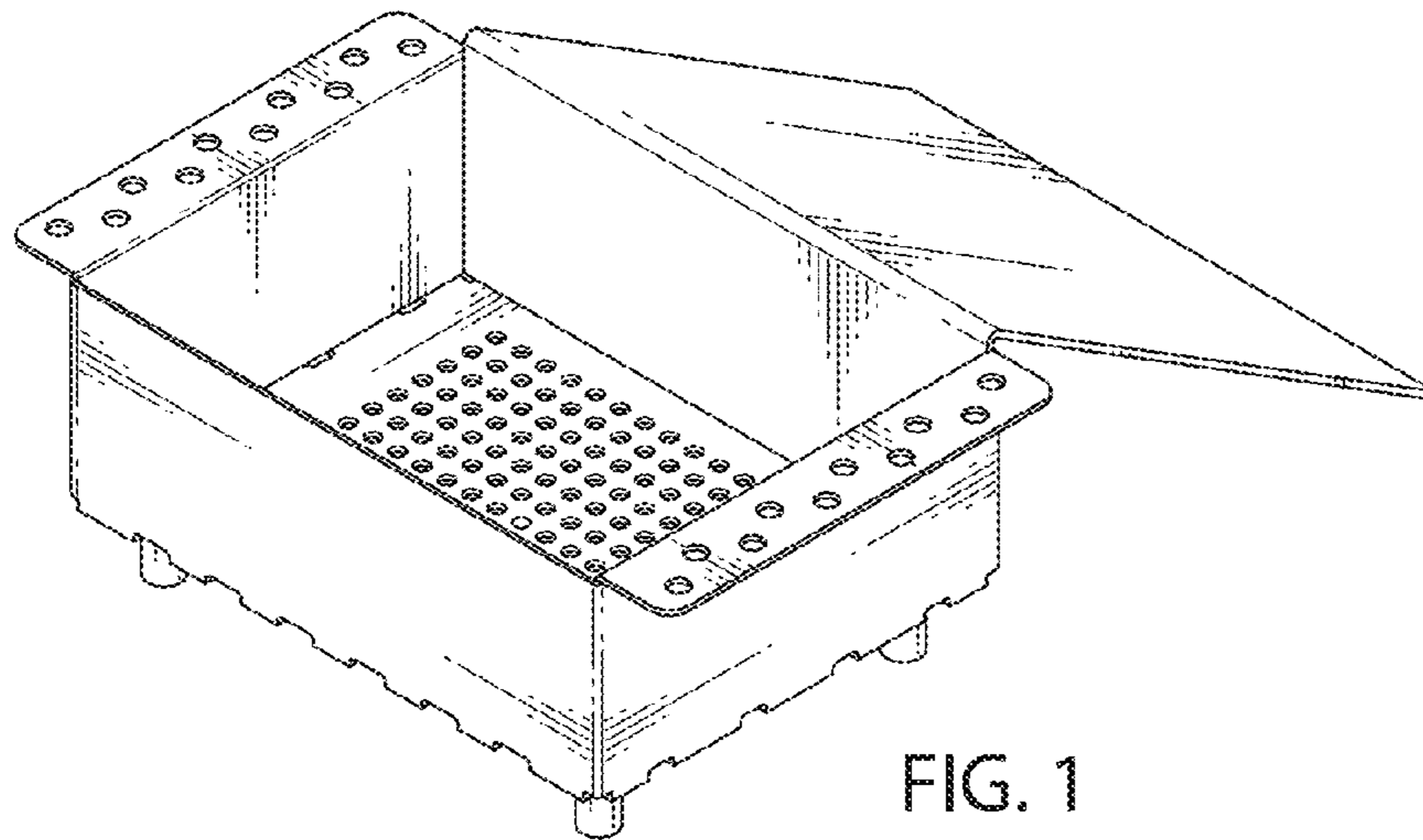
www.standardgolf.com/tee-markers/item/recycled-broken-tee-cad-  
die; retrieved Oct. 15, 2014.

**DESCRIPTION**

FIG. 1 is a top perspective view of a tee caddie showing my  
new design;  
FIG. 2, is a right side elevational view thereof, where the left  
side elevational view is a mirror image thereof;  
FIG. 3 is a front view thereof;  
FIG. 4 is a rear view thereof;  
FIG. 5 is a top view thereof; and,  
FIG. 6 is a bottom view thereof.  
The ornamental design which is claimed is shown in solid  
lines in the drawings. Any broken lines in the drawings are for  
illustrative purposes only and form no part of the claimed  
design.

**1 Claim, 2 Drawing Sheets**





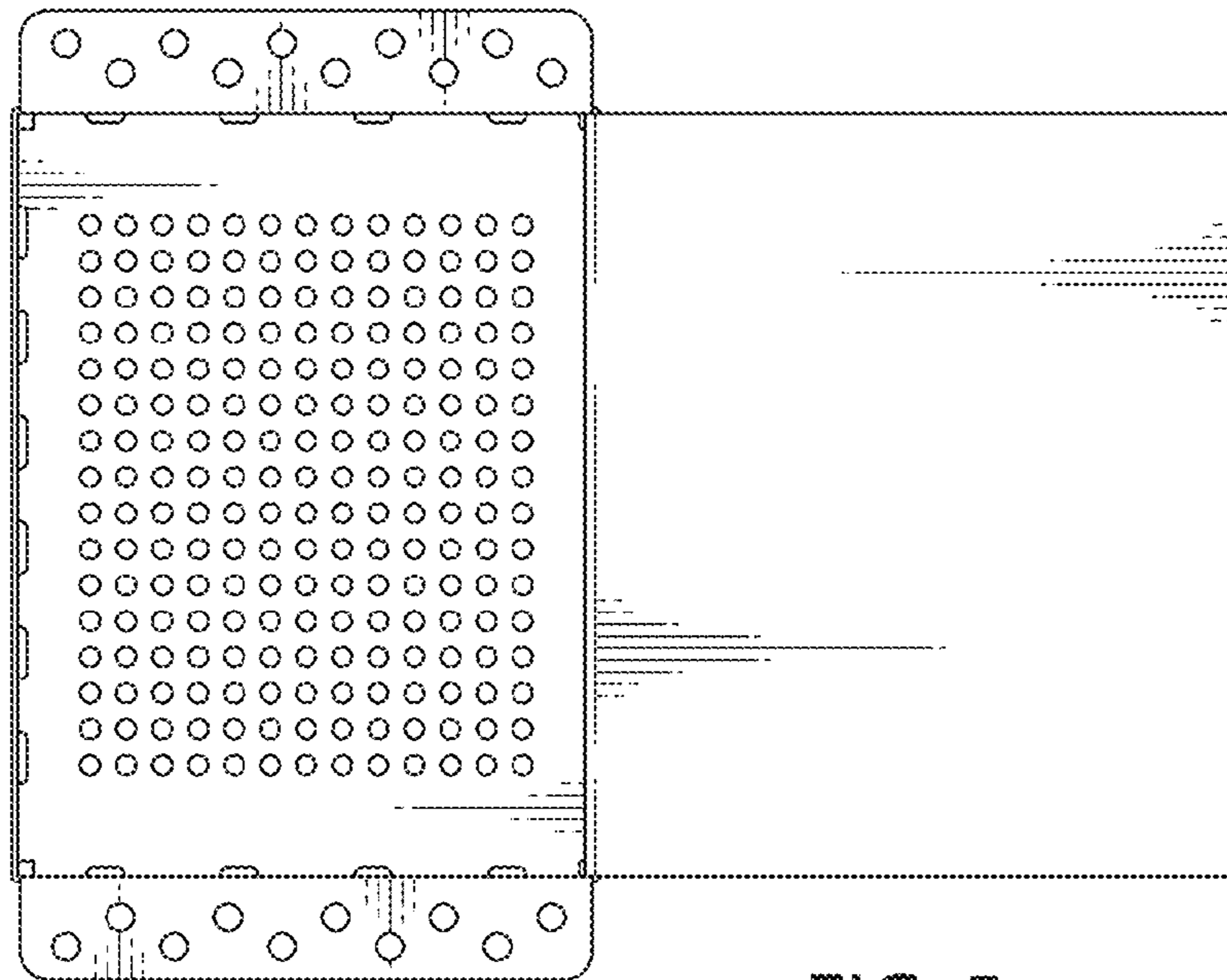


FIG. 5

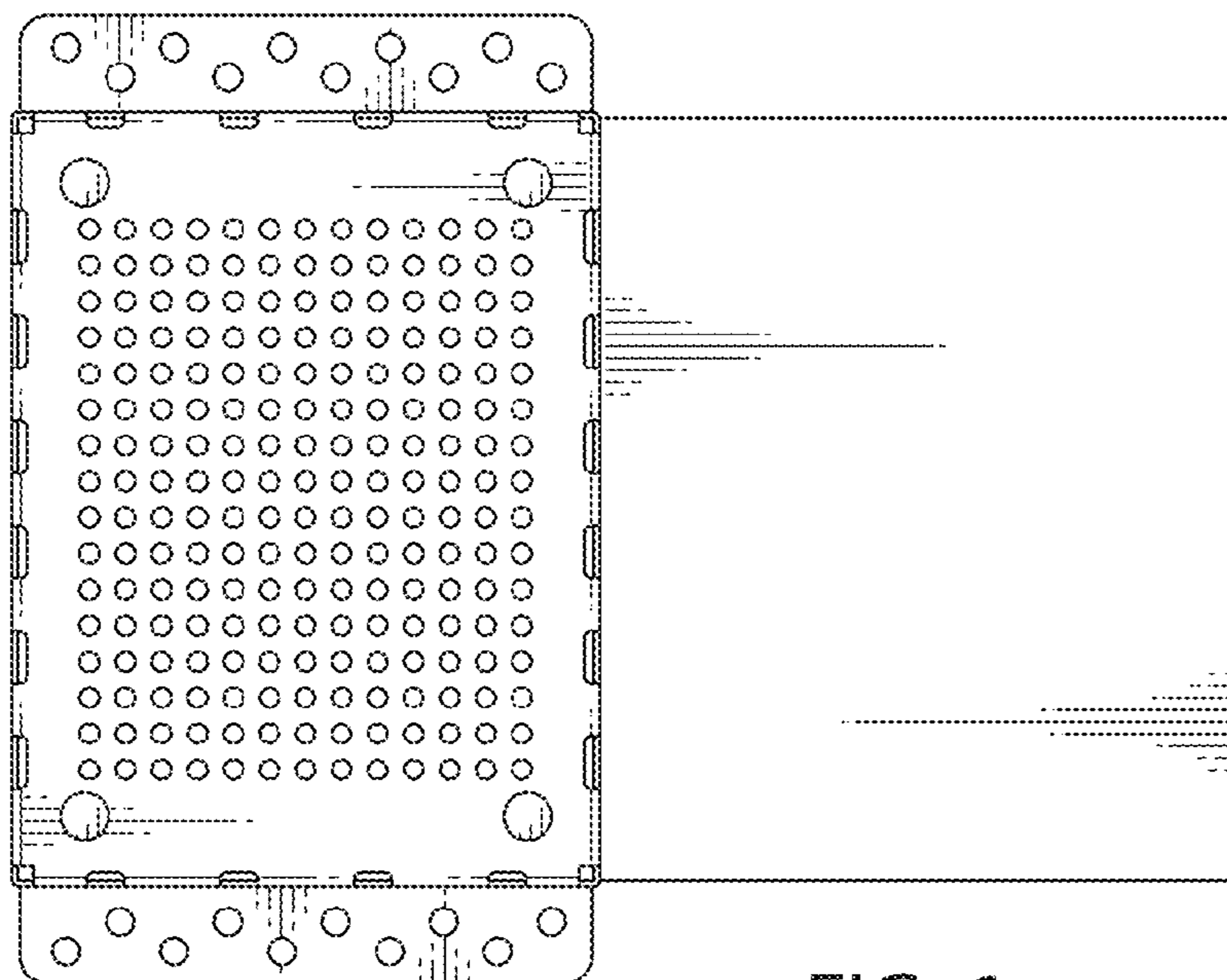


FIG. 6