

US00D762269S

(12) **United States Design Patent**  
**Lee**

(10) **Patent No.:** **US D762,269 S**  
(45) **Date of Patent:** **\*\* Jul. 26, 2016**

- (54) **PNEUMATIC TOY CAR**
- (71) Applicant: **Wen-Hsien Lee**, New Taipei (TW)
- (72) Inventor: **Wen-Hsien Lee**, New Taipei (TW)
- (\*\*) Term: **14 Years**
- (21) Appl. No.: **29/514,351**
- (22) Filed: **Jan. 12, 2015**
- (51) **LOC (10) Cl.** ..... **21-01**
- (52) **U.S. Cl.**  
USPC ..... **D21/548**
- (58) **Field of Classification Search**  
USPC ..... D21/398, 533, 548, 549, 550, 551, 552,  
D21/557, 560, 561, 562, 580, 581; 446/154,  
446/164, 231, 233, 236-242, 265, 266, 273,  
446/437, 462, 465, 470  
CPC ... A63H 17/004; A63H 17/26; A63H 17/262;  
A63H 17/264; A63H 17/266; A63H 17/36;  
A63H 17/38; A63H 29/00; A63H 29/16;  
A63H 29/165; A63H 29/22; A63H 29/24;  
A63H 30/04  
See application file for complete search history.

- D303,408 S \* 9/1989 Wallace ..... D21/533
- D326,691 S \* 6/1992 Mephram ..... D21/560
- D332,978 S \* 2/1993 Tsuchiya ..... D21/562
- 6,398,613 B1 \* 6/2002 Rehkemper ..... A63H 29/16  
446/197
- D597,151 S \* 7/2009 Ishikawa ..... D21/562
- 2007/0259601 A1 \* 11/2007 Dunham ..... A63H 17/004  
446/466
- 2008/0242194 A1 \* 10/2008 Zheng ..... A63H 17/262  
446/461

\* cited by examiner

*Primary Examiner* — Cynthia M Chin  
(74) *Attorney, Agent, or Firm* — WPAT, P.C., Intellectual Property Attorneys; Anthony King

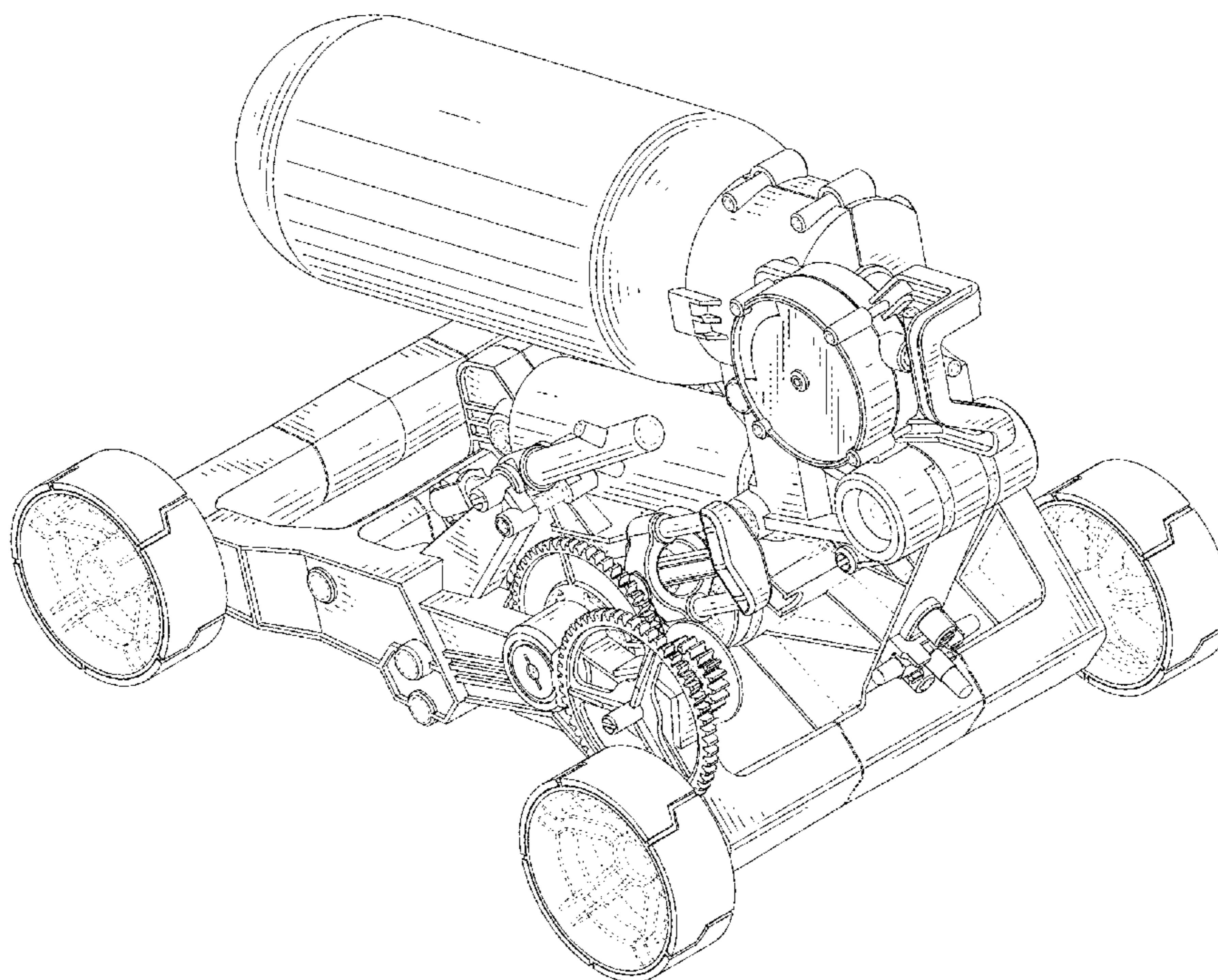
(57) **CLAIM**  
The ornamental design for a pneumatic toy car, as shown and described.

**DESCRIPTION**

FIG. 1 is a front perspective view of a pneumatic toy car showing my new design;  
FIG. 2 is a rear perspective view thereof;  
FIG. 3 is a bottom perspective view thereof;  
FIG. 4 is a front view thereof;  
FIG. 5 is a rear view thereof;  
FIG. 6 is a left side view thereof;  
FIG. 7 is a right side view thereof;  
FIG. 8 is a top view thereof; and,  
FIG. 9 is a bottom view thereof.  
The broken lines shown are included for the purpose of illustrating the unclaimed portions of the toy car and forms no part of the claimed design.

**1 Claim, 9 Drawing Sheets**

- (56) **References Cited**  
U.S. PATENT DOCUMENTS  
2,821,808 A \* 2/1958 Rosato ..... A63H 29/165  
446/187  
D228,244 S \* 8/1973 Rozmarynowski ..... D21/560  
4,329,806 A \* 5/1982 Akiyama ..... A63H 29/16  
446/180



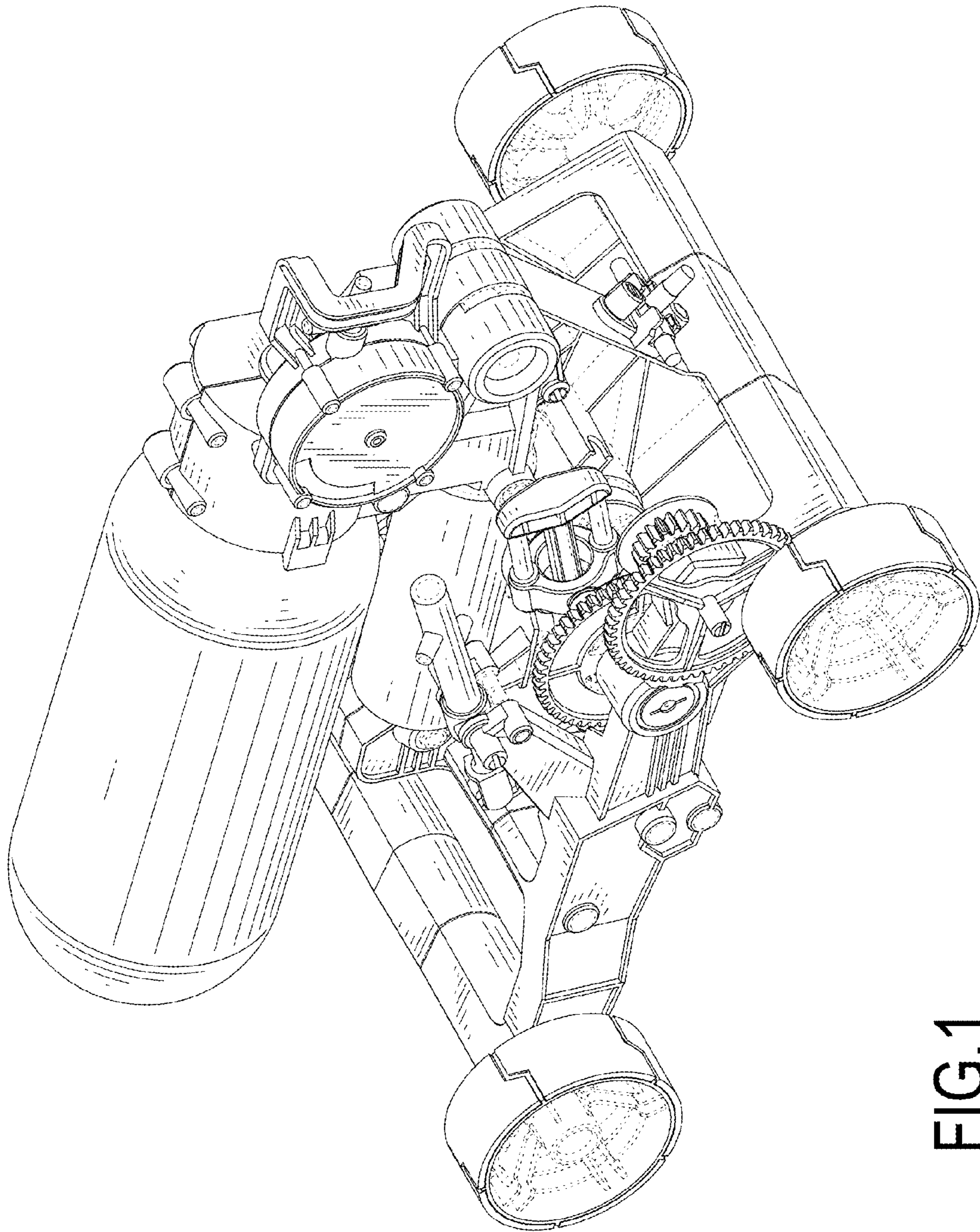


FIG.1

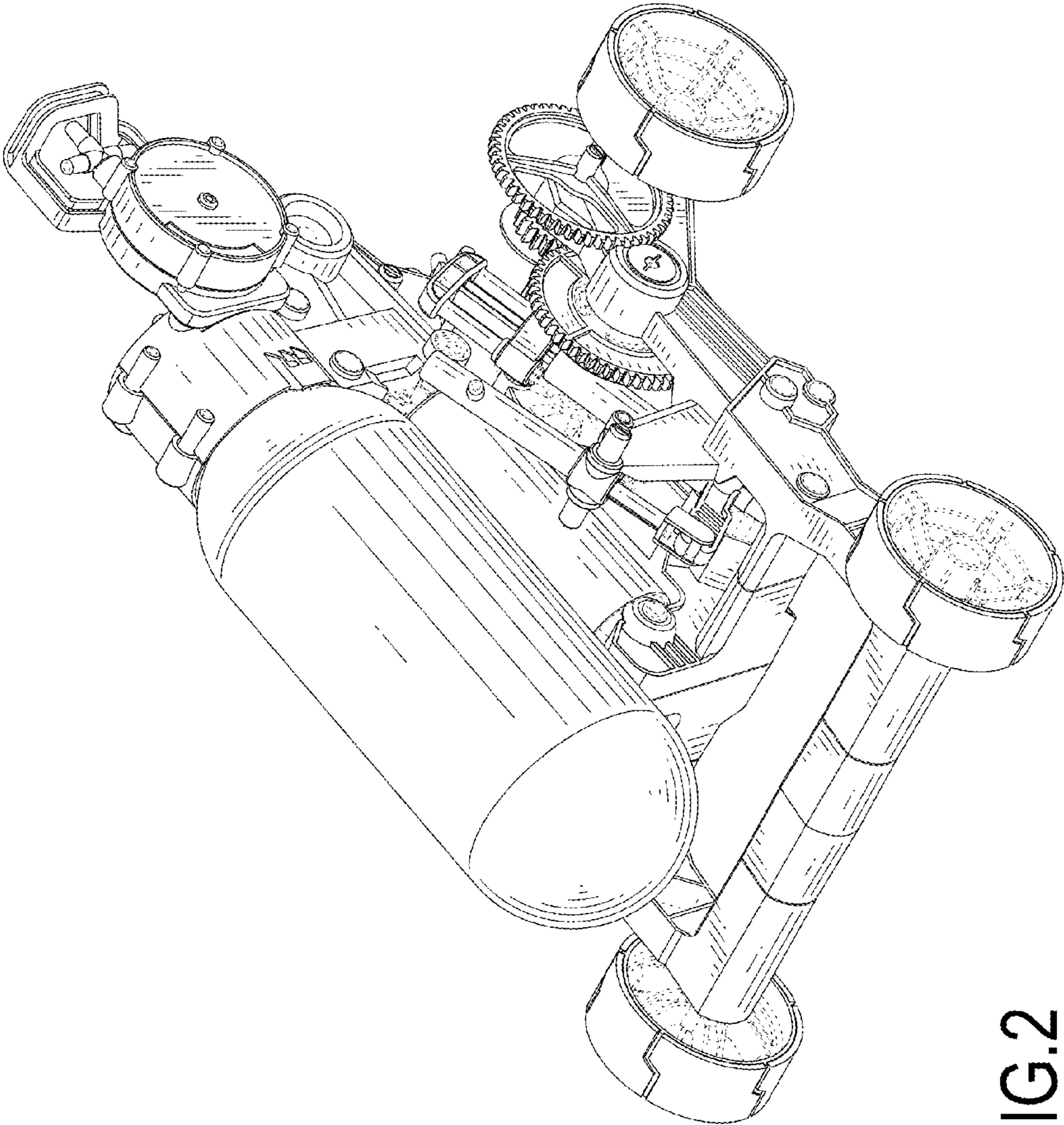


FIG.2

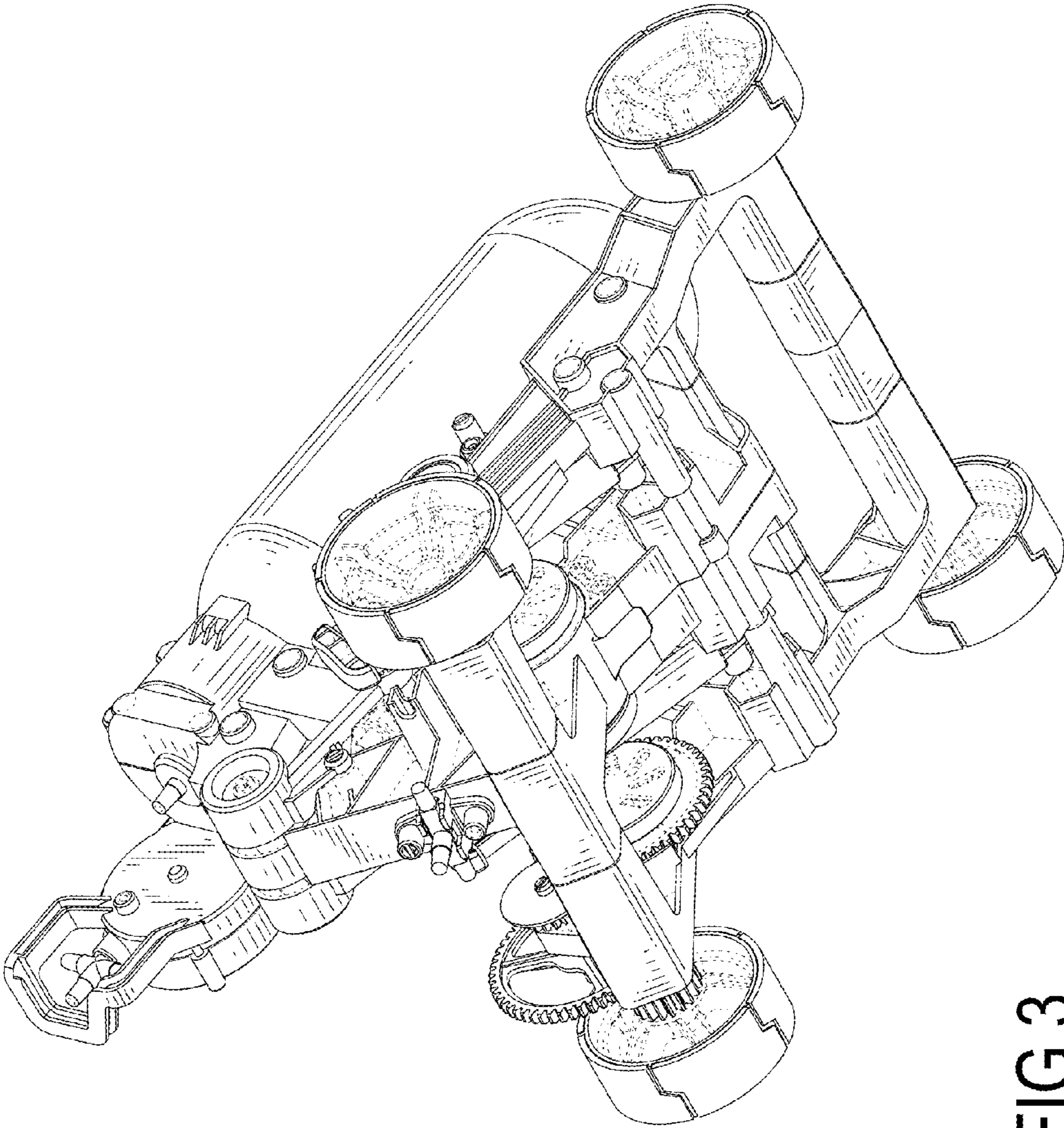


FIG.3

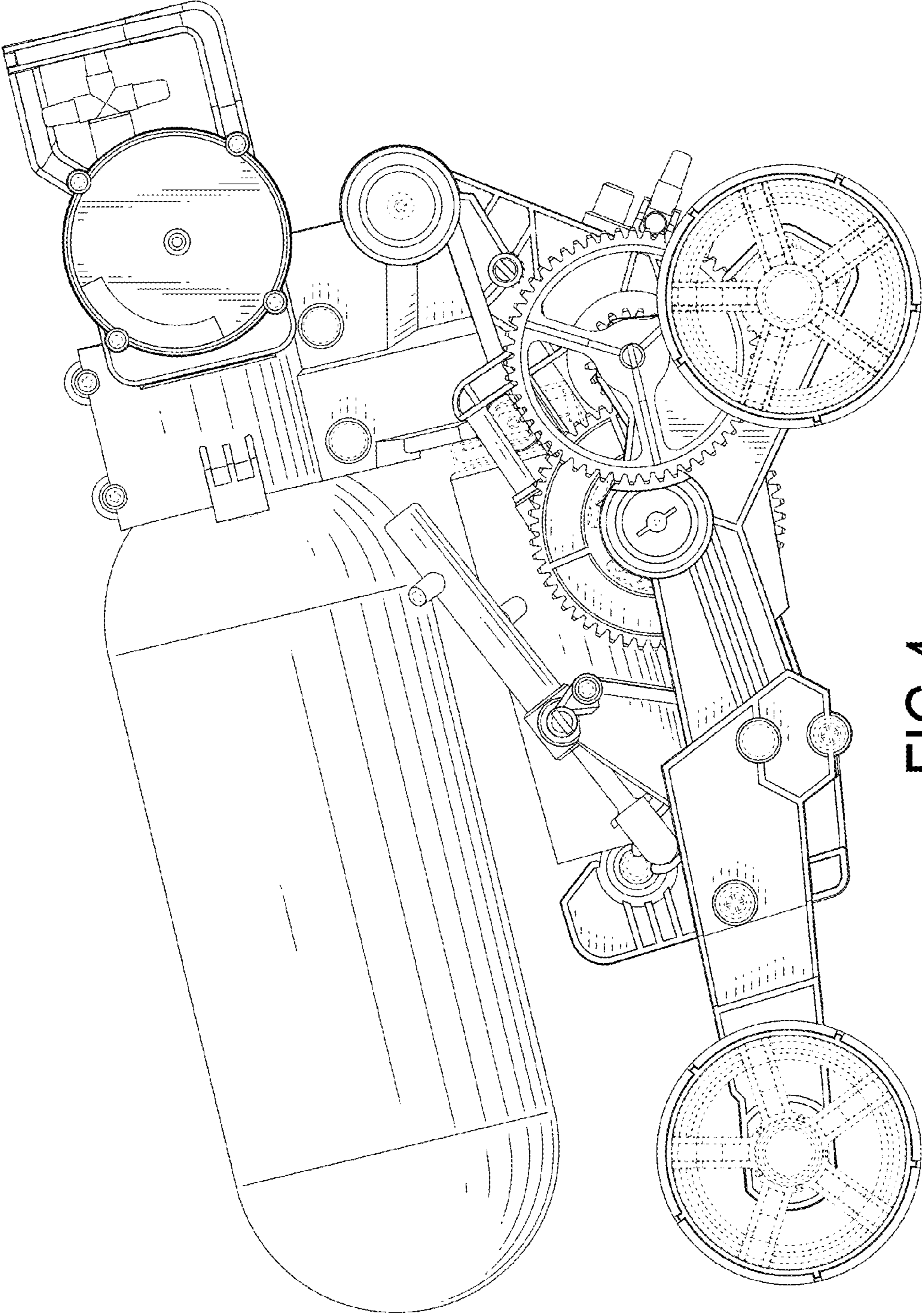


FIG.4

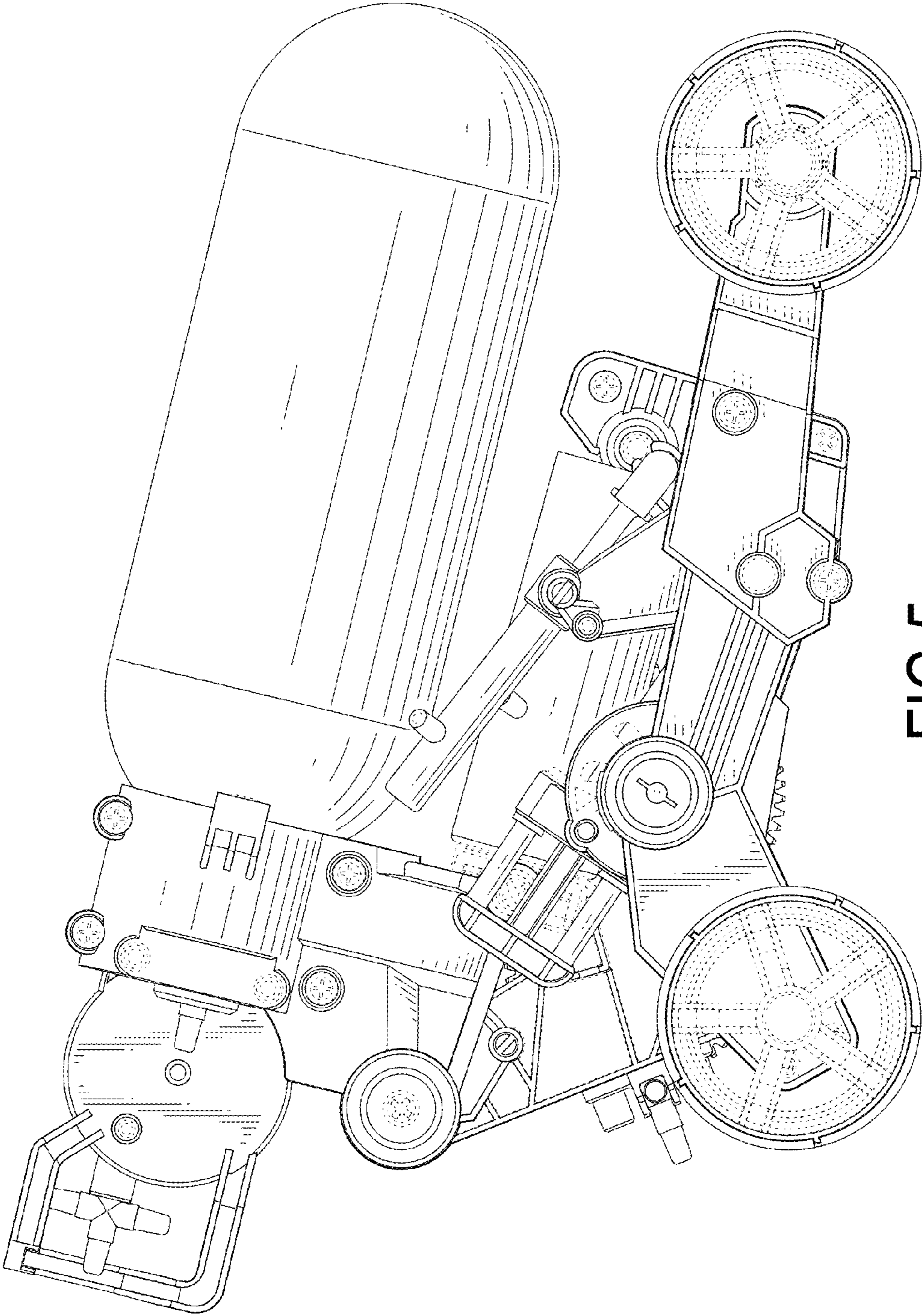


FIG.5

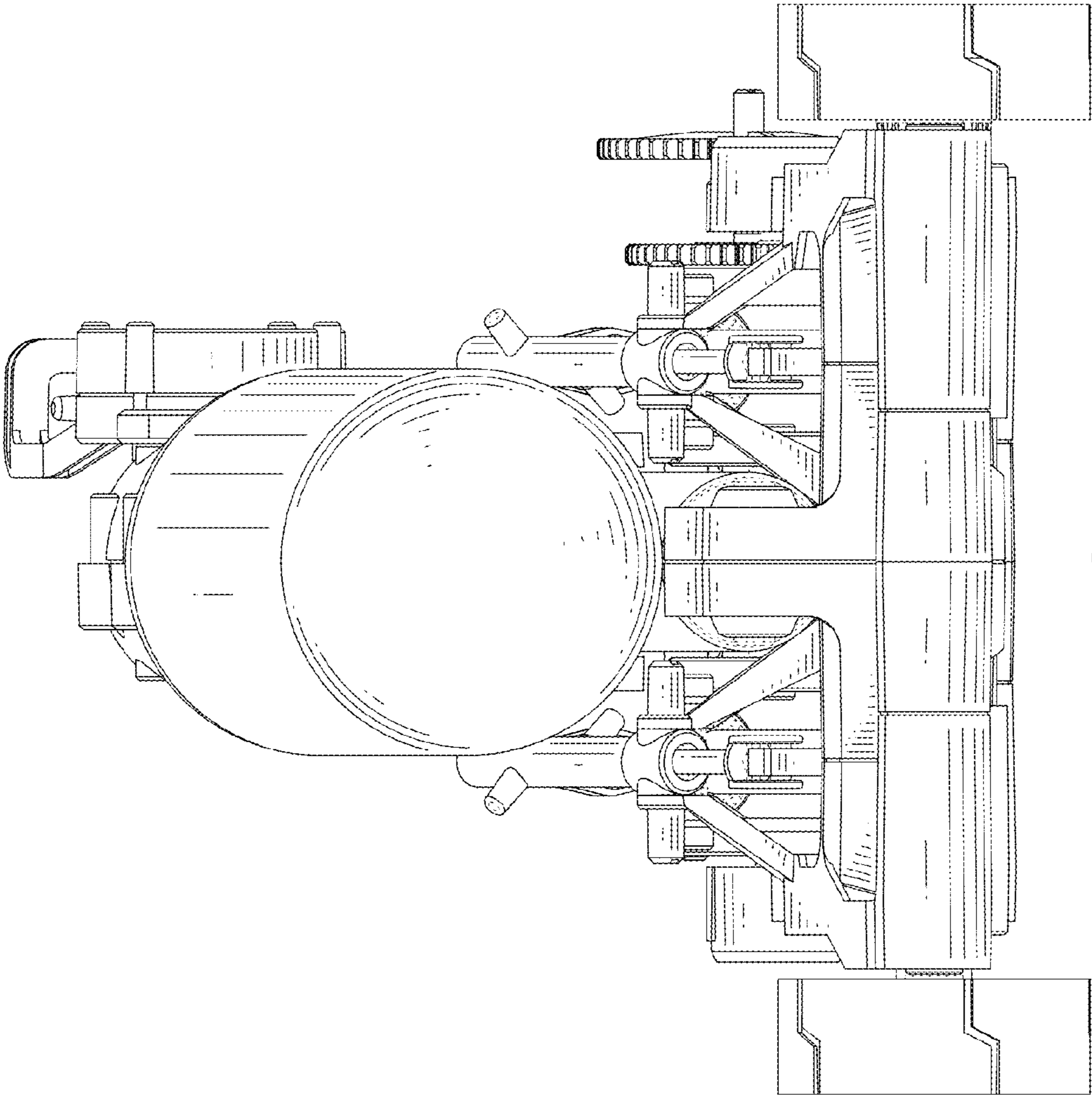


FIG.6

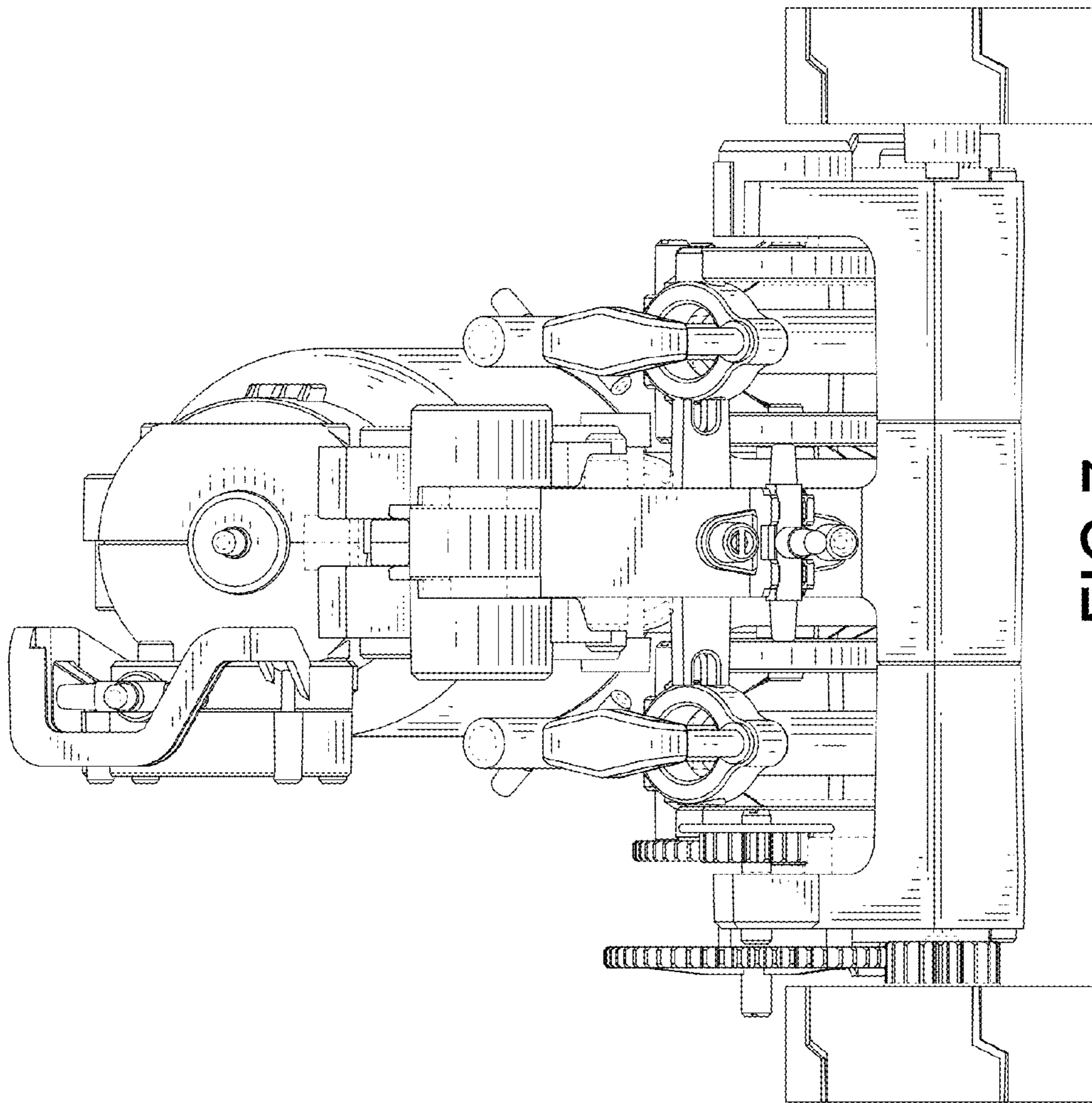


FIG.7



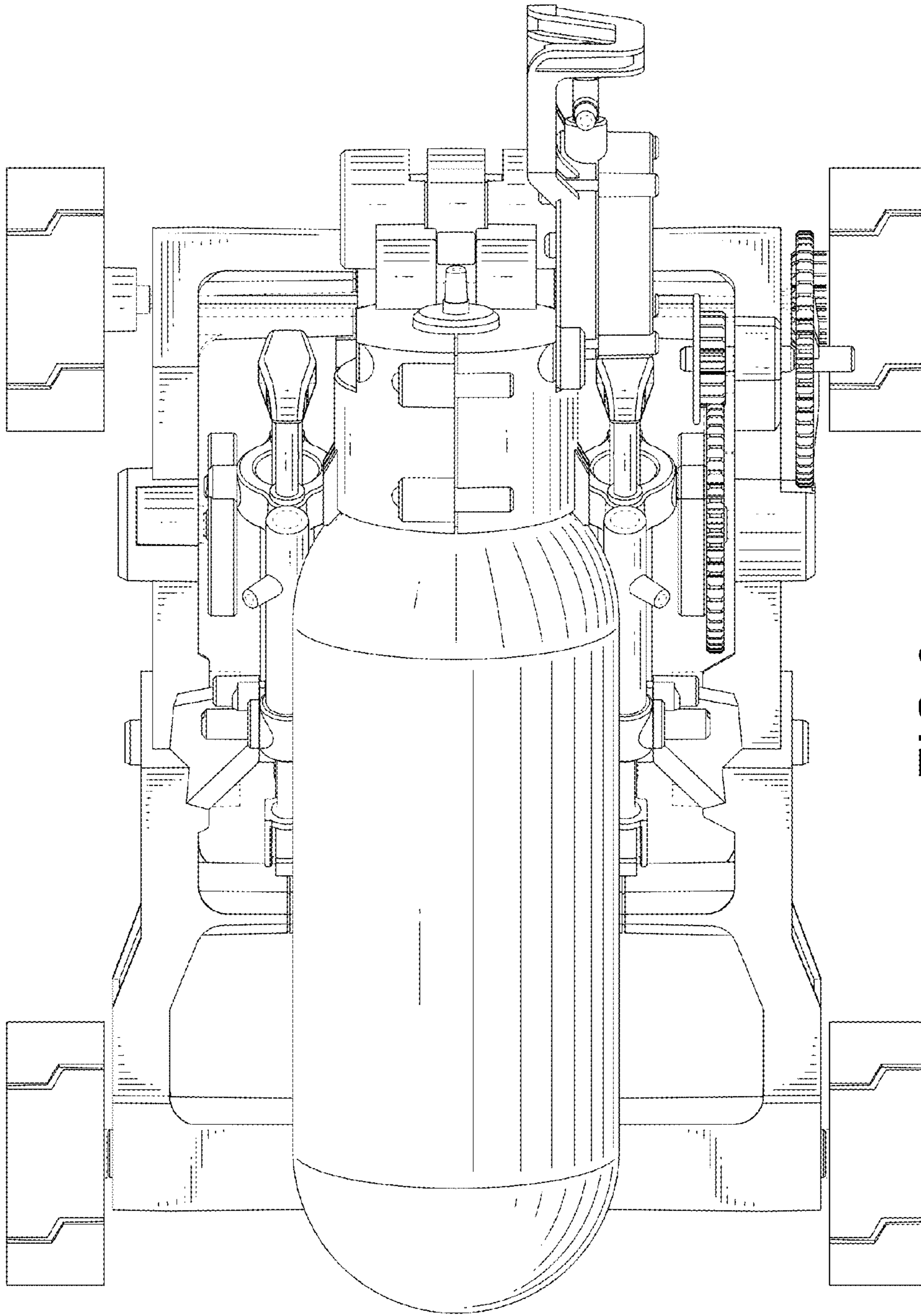


FIG.8

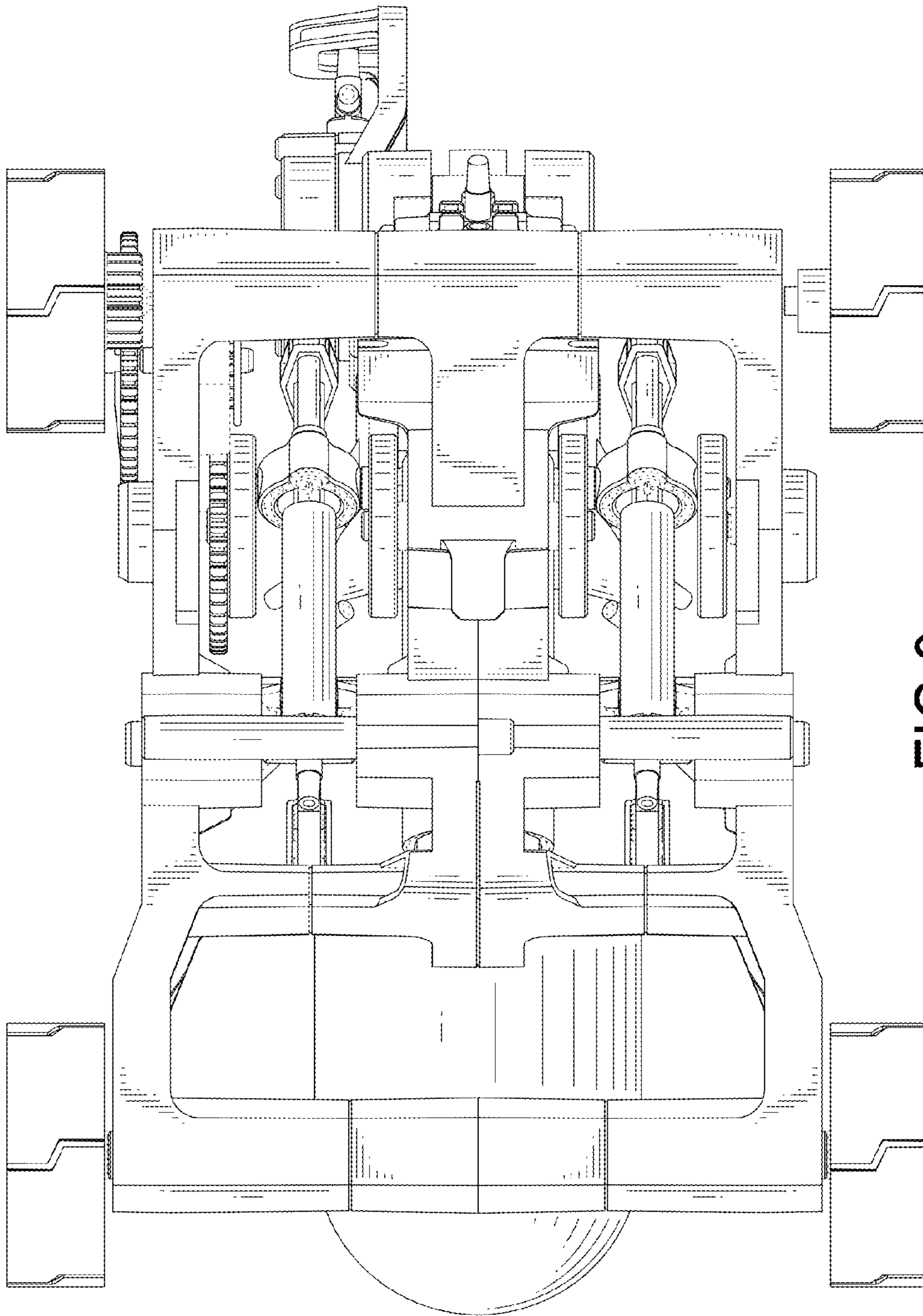


FIG. 9