



US00D762268S

(12) **United States Design Patent**
Berglund et al.

(10) **Patent No.:** **US D762,268 S**
(45) **Date of Patent:** **** Jul. 26, 2016**

(54) **INTERLOCKING BUILDING BLOCK**

(71) Applicant: **IKO, LLC**, Park City, UT (US)

(72) Inventors: **Mina M. Berglund**, Park City, UT (US);
Taylor P. DaBell, Sal Lake City, UT (US);
Gates A. Lamb, Heber, UT (US);
Michael P. Wong, Park City, UT (US)

(73) Assignee: **IKO, LLC**, Park City, UT (US)

(**) Term: **14 Years**

(21) Appl. No.: **29/524,934**

(22) Filed: **Apr. 24, 2015**

Related U.S. Application Data

(63) Continuation-in-part of application No. 14/536,608, filed on Nov. 8, 2014, now abandoned.

(51) **LOC (10) Cl.** **21-01**

(52) **U.S. Cl.**
USPC **D21/492**; D21/503

(58) **Field of Classification Search**
USPC D21/386, 484–485, 489–492, 493,
D21/500–505
CPC A63H 33/00; A63H 33/04; A63H 33/16;
G09B 25/00; G09B 25/04; G09B 23/00;
G09B 23/04; A63F 9/06; A63F 9/10; A63F
9/12; A63F 9/20

See application file for complete search history.

(56) **References Cited**

U.S. PATENT DOCUMENTS

- 4,050,184 A * 9/1977 Chiari A63H 33/101
273/157 R
- 4,836,787 A * 6/1989 Boo A63H 33/048
434/403
- 5,100,359 A * 3/1992 Gorio A63F 9/12
273/157 R

- 5,560,151 A * 10/1996 Roberts E04B 1/3205
52/245
- 5,732,518 A * 3/1998 Roberts E04B 1/3205
52/245
- 6,059,631 A * 5/2000 Maddock A63H 33/082
446/104
- 6,076,318 A * 6/2000 Grimm E04B 1/3205
426/122
- 6,116,979 A * 9/2000 Weber A63F 9/1208
273/157 R
- 6,729,984 B2 * 5/2004 Silvergate A63B 43/00
273/157 R
- 6,997,458 B1 * 2/2006 Yokomi A63F 9/0415
273/146
- 8,157,608 B1 * 4/2012 Stapleton A63H 33/08
273/153 P
- 8,490,974 B2 * 7/2013 Stolten A63F 9/0838
273/153 S
- D692,507 S * 10/2013 Meys D21/498
- 2002/0135125 A1 * 9/2002 Wu A63F 9/12
273/156
- 2015/0190725 A1 * 7/2015 Berglund A63H 33/062
446/92

* cited by examiner

Primary Examiner — Cynthia M Chin

(74) *Attorney, Agent, or Firm* — Seth Black; Black IP, PLLC

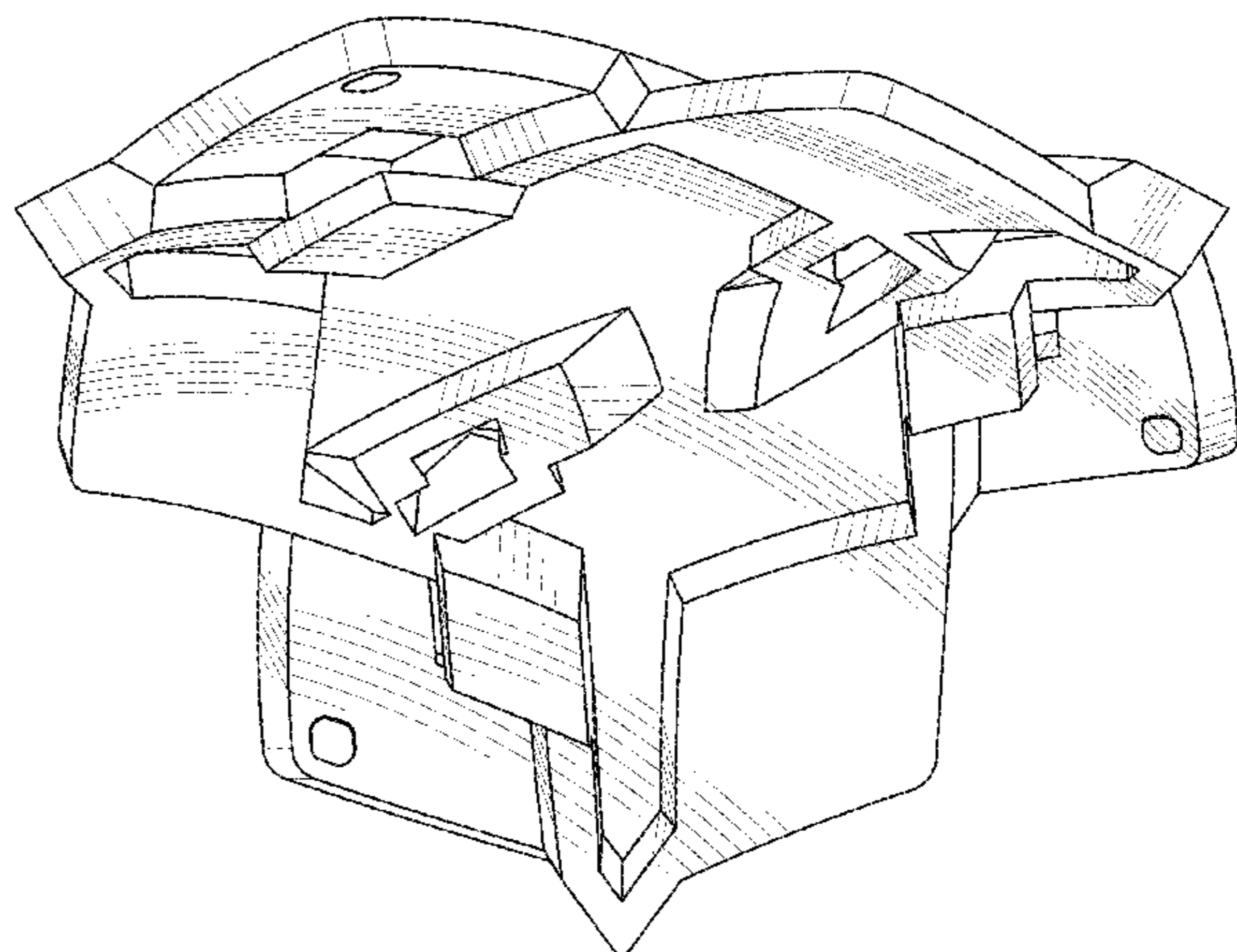
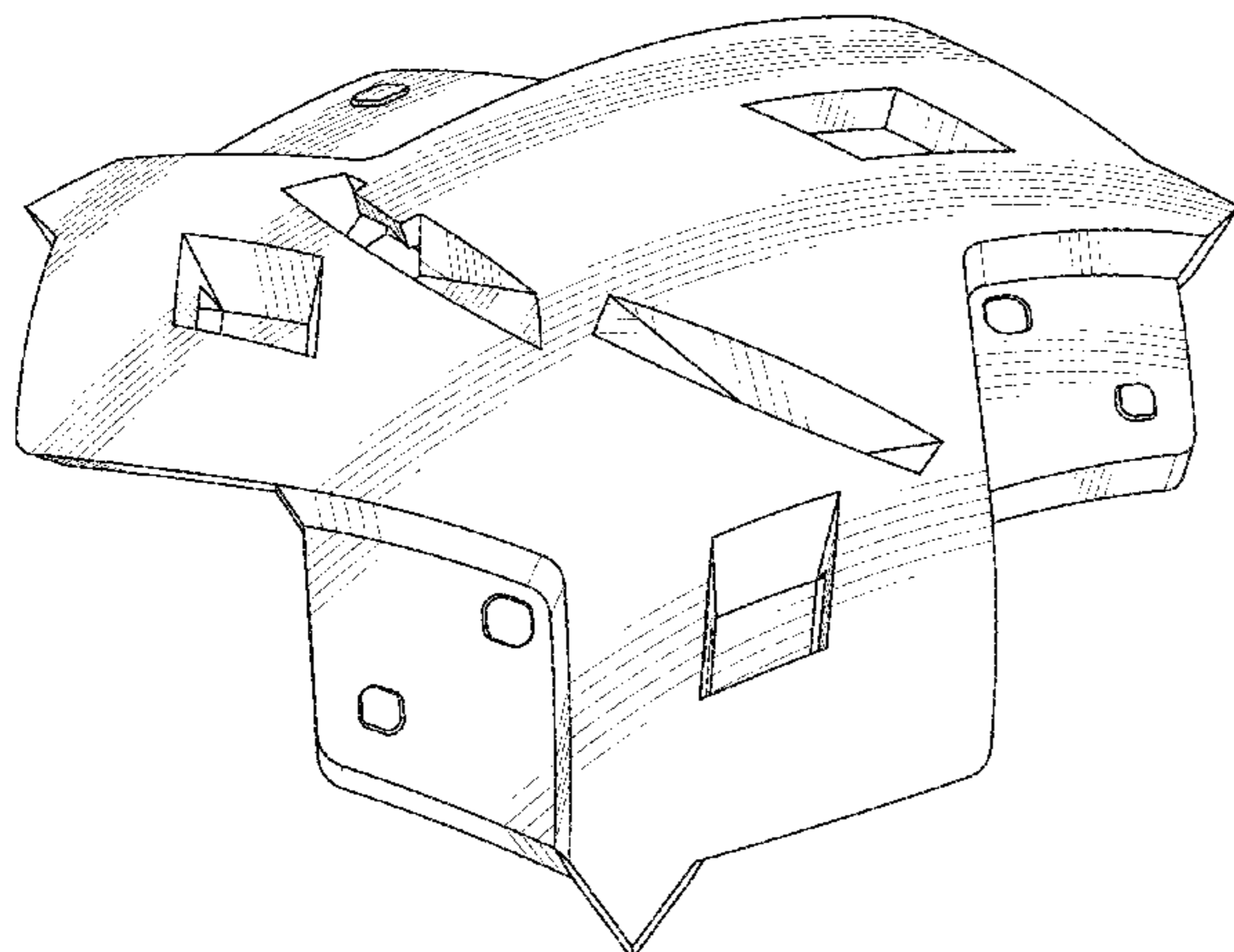
(57) **CLAIM**

The ornamental design for an interlocking building block, as shown.

DESCRIPTION

FIG. 1 is a front perspective view of an interlocking building block showing our new design;
FIG. 2 is a rear perspective view thereof;
FIG. 3 is a front elevational view thereof;
FIG. 4 is a rear elevational view thereof;
FIG. 5 is a left side elevational view thereof;
FIG. 6 is a right side elevational view thereof;
FIG. 7 is a top plan view thereof; and,
FIG. 8 is a bottom plan view thereof.

1 Claim, 8 Drawing Sheets



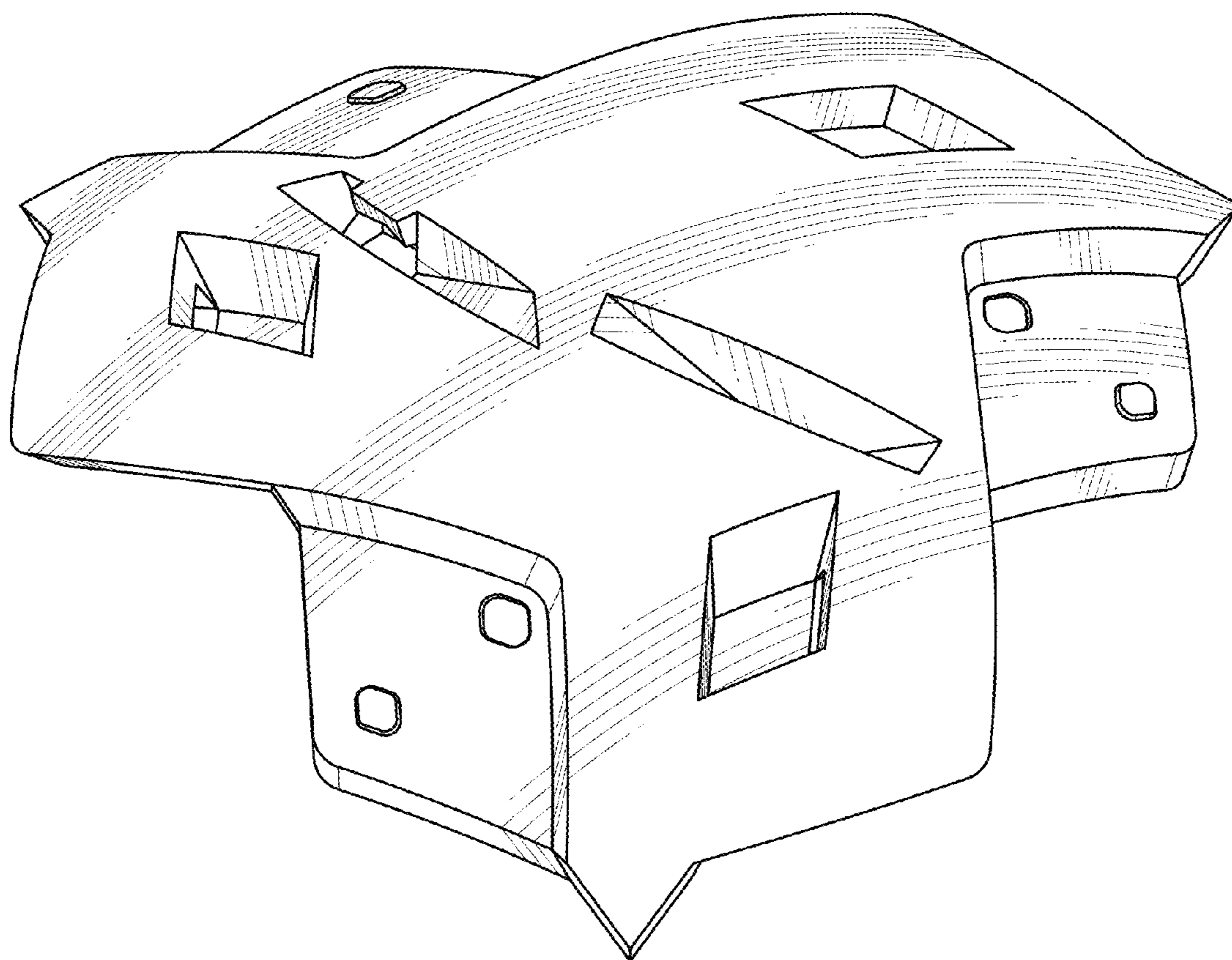


Fig. 1

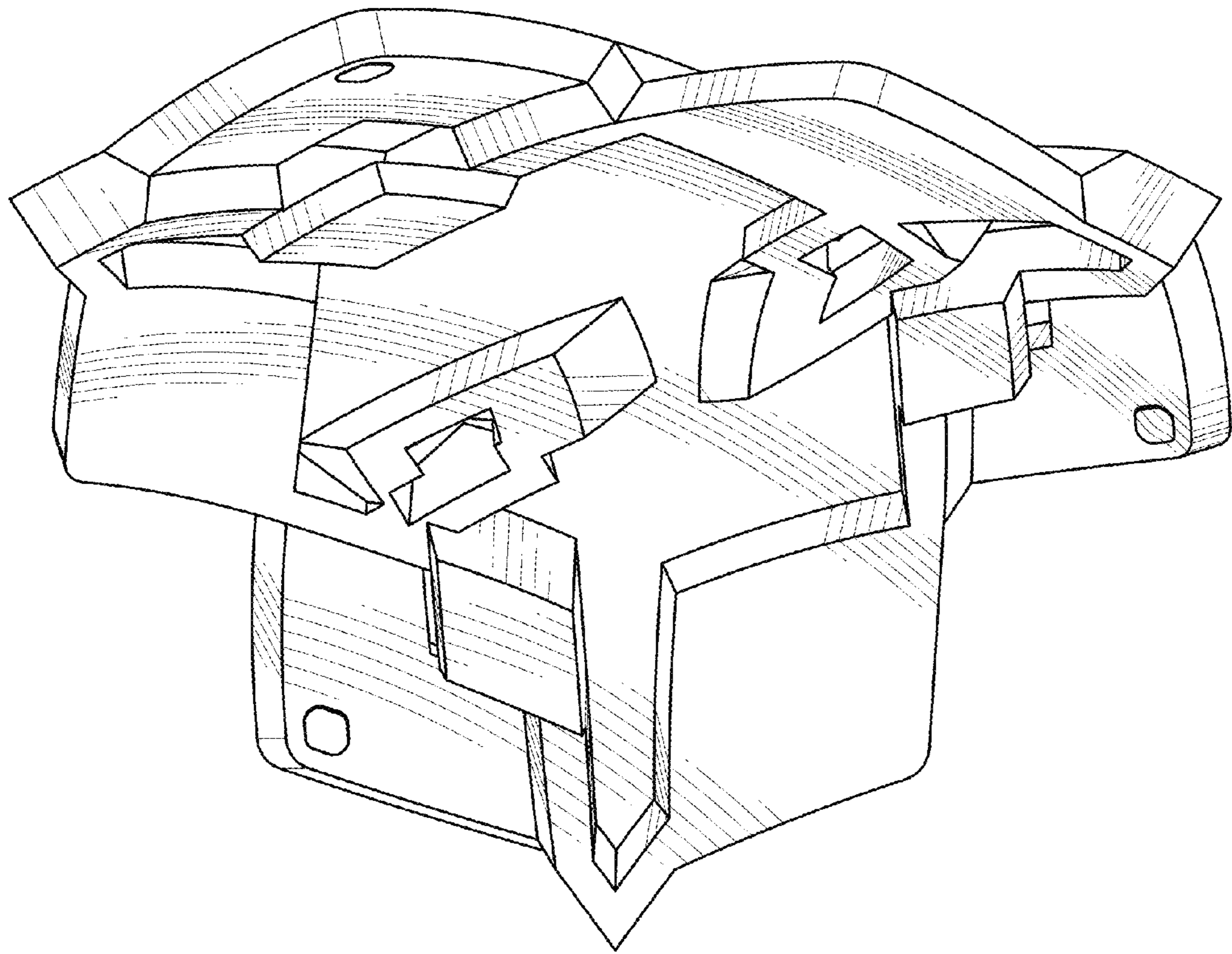


Fig. 2

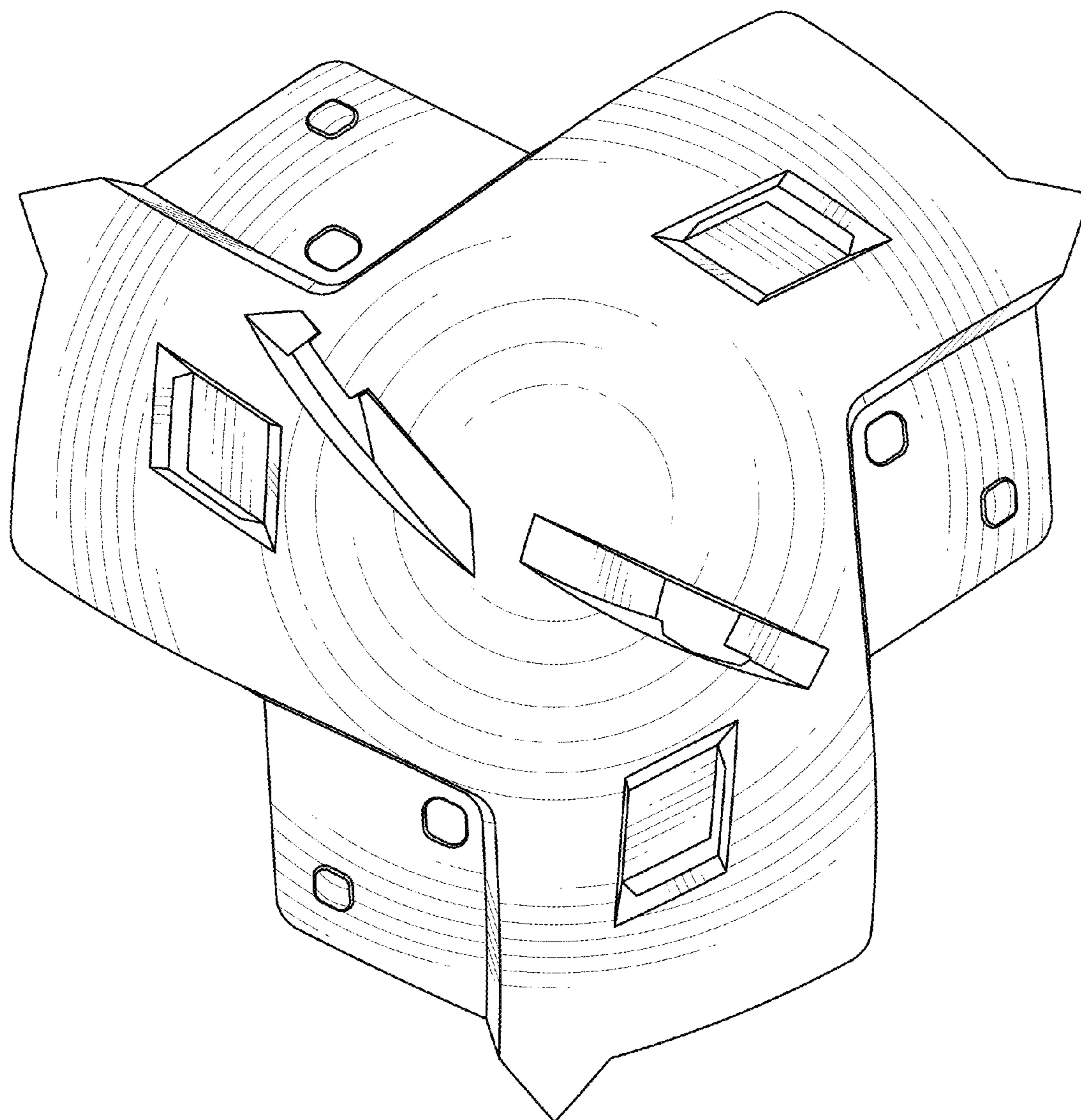


Fig. 3

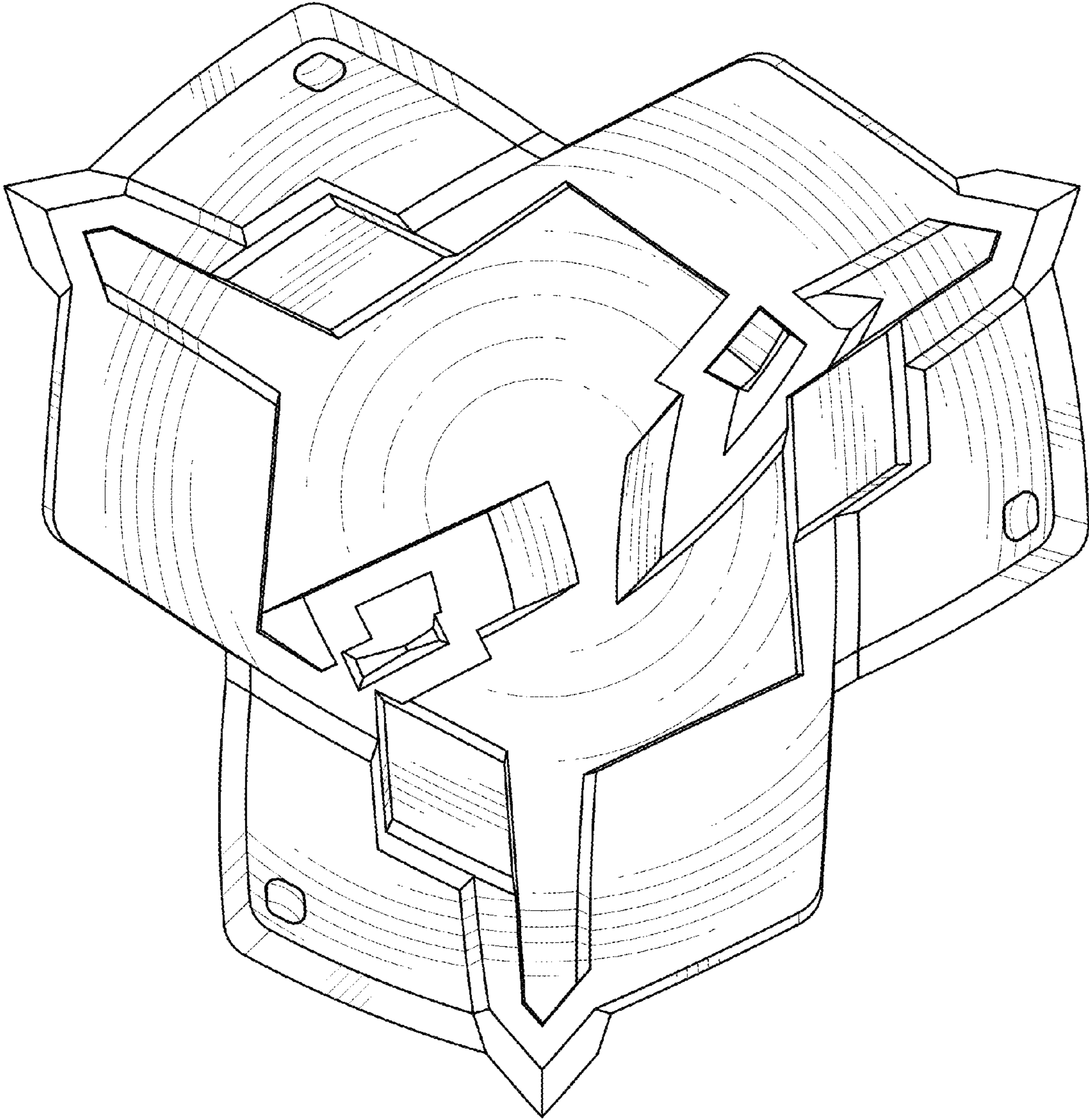


Fig. 4

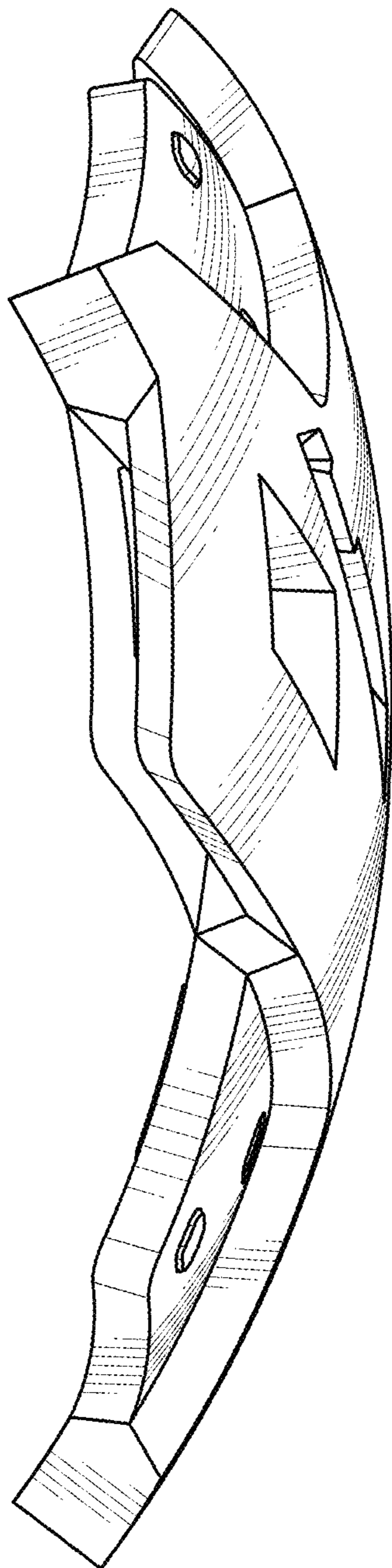


Fig. 5

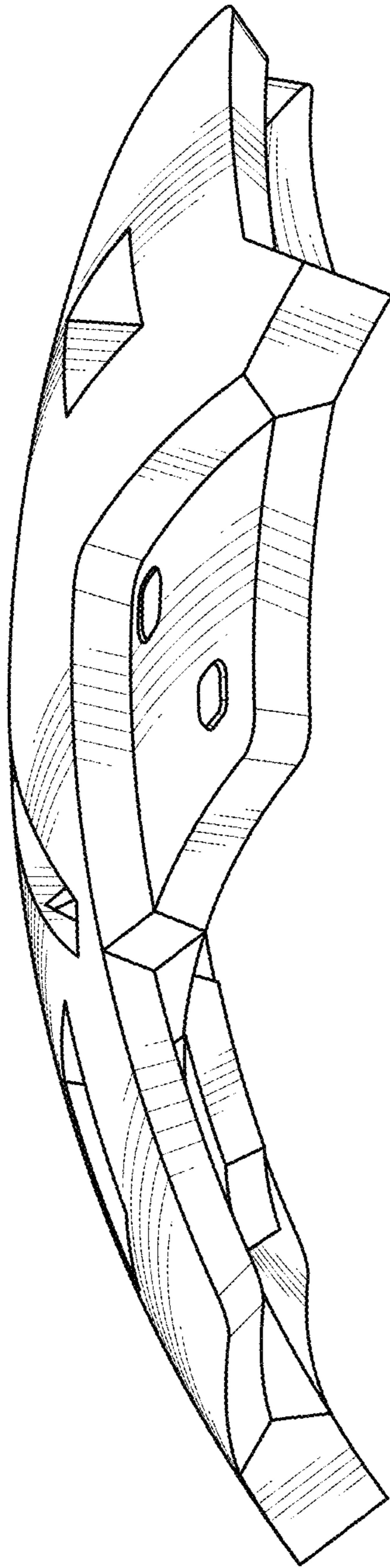


Fig. 6

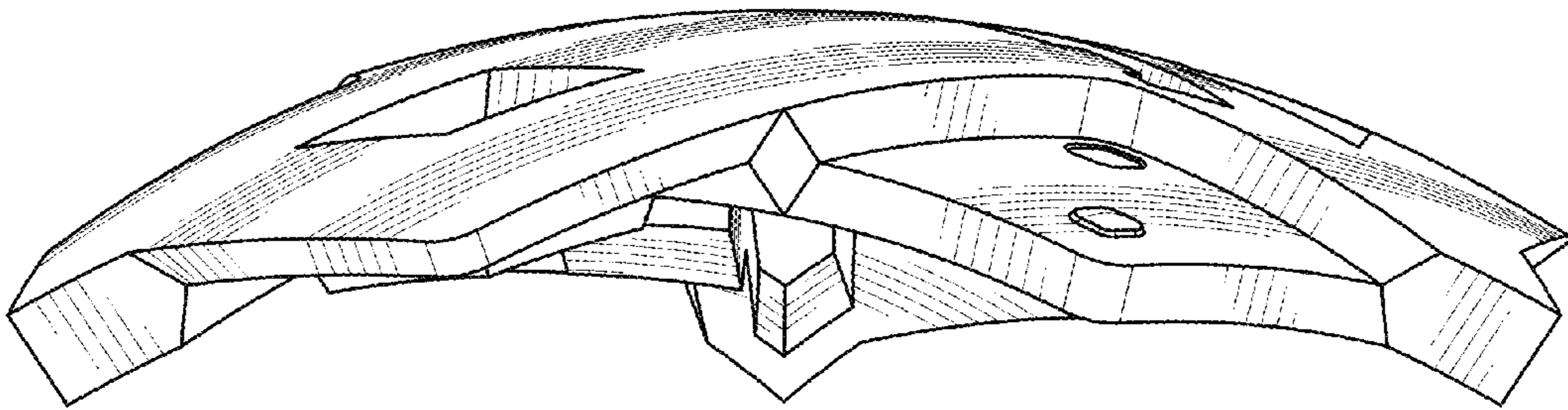


Fig. 7

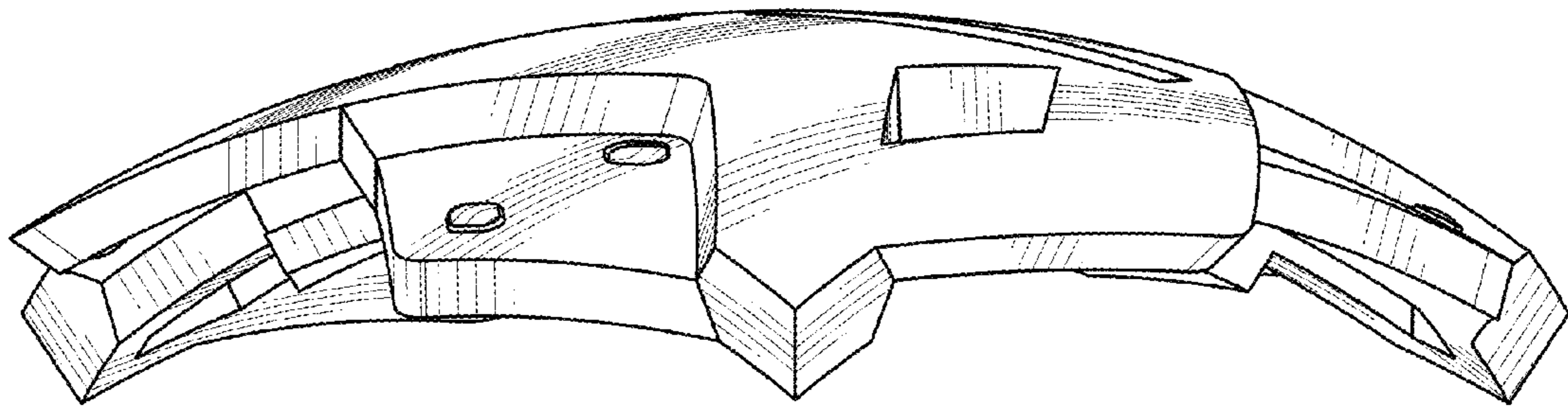


Fig. 8