



US00D762267S

(12) **United States Design Patent**
Glasband et al.

(10) **Patent No.:** **US D762,267 S**
(45) **Date of Patent:** **** Jul. 26, 2016**

- (54) **WHEEL HUB**
- (71) Applicants: **Debra Sterling Glasband**, San Francisco, CA (US); **William Lewis**, San Francisco, CA (US); **Clinton Cope**, San Francisco, CA (US); **Jannita Hanson**, Medford, OR (US)
- (72) Inventors: **Debra Sterling Glasband**, San Francisco, CA (US); **William Lewis**, San Francisco, CA (US); **Clinton Cope**, San Francisco, CA (US); **Jannita Hanson**, Medford, OR (US)

6,273,778	B1	8/2001	Kyster	
6,447,360	B1	9/2002	Sorensen	
6,622,447	B1	9/2003	Kessler	
6,669,526	B2	12/2003	Manville	
6,702,640	B1	3/2004	Park	
6,702,642	B1	3/2004	Parein	
7,066,778	B2	6/2006	Kretzschmar	
D550,783	S	9/2007	Glickman	
D564,044	S	3/2008	Rolf	
D594,512	S	6/2009	Richards	
D612,435	S	3/2010	Sisamos	
7,677,010	B2	3/2010	Boots	
D635,419	S *	4/2011	Chen	D8/25
D641,803	S	7/2011	Kichijo	
D660,664	S *	5/2012	Hsu	D8/25
D660,665	S *	5/2012	Hsu	D8/25
8,240,939	B2	8/2012	Uttley	
8,382,548	B2	2/2013	Maggiore	
D685,861	S	7/2013	Holman	

(73) Assignee: **GoldieBlox, Inc.**, Oakland, CA (US)

(**) Term: **14 Years**

(21) Appl. No.: **29/497,640**

(22) Filed: **Jul. 25, 2014**

(51) **LOC (10) Cl.** **21-01**

(52) **U.S. Cl.**
USPC **D21/484**

(58) **Field of Classification Search**
USPC D21/484-504; D8/21, 26-29
CPC A63H 33/04
See application file for complete search history.

(56) **References Cited**

U.S. PATENT DOCUMENTS

D241,054	S *	8/1976	Fortier	D21/498
5,599,221	A	2/1997	Gabriel		
5,683,283	A	11/1997	Glynn		
5,725,411	A	3/1998	Glynn		
5,795,210	A	8/1998	Kushner		
5,848,927	A	12/1998	Frederiksen		
5,938,498	A	8/1999	Glynn		
5,947,787	A	9/1999	Cyrus		
6,004,182	A	12/1999	Pasin		
6,086,444	A	7/2000	Glickman		
6,109,997	A	8/2000	Hatting		

(Continued)

Primary Examiner — George D Kirschbaum

(74) *Attorney, Agent, or Firm* — Christensen O'Connor Johnson Kindness PLLC

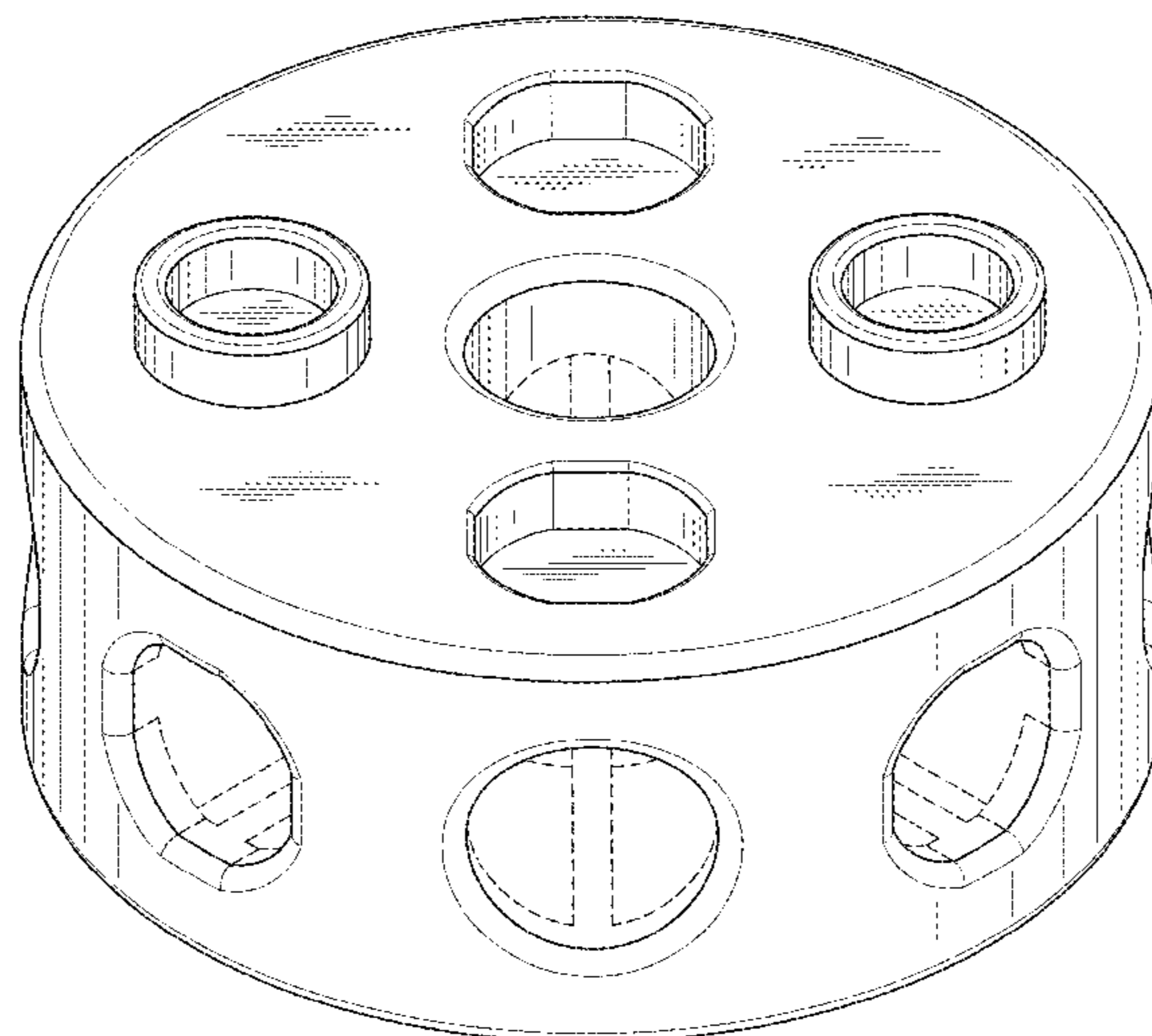
(57) **CLAIM**

The ornamental design for a wheel hub, as shown and described.

DESCRIPTION

FIG. 1 is an isometric view of a first embodiment of a wheel hub according to our new design;
 FIG. 2 is a top view of the wheel hub of FIG. 1;
 FIG. 3 is a side view of the wheel hub of FIG. 1;
 FIG. 4 is an auxiliary side view of the wheel hub of FIG. 1;
 FIG. 5 is an isometric view of a second embodiment of a wheel hub according to our new design;
 FIG. 6 is a top view of the wheel hub of FIG. 5;
 FIG. 7 is a side view of the wheel hub of FIG. 5; and,
 FIG. 8 is an auxiliary side view of the wheel hub of FIG. 5.
 The broken lines depict unclaimed environmental subject matter.

1 Claim, 8 Drawing Sheets



(56)

References Cited

U.S. PATENT DOCUMENTS

8,579,536 B2 11/2013 Uttley
D697,146 S 1/2014 Richards
2004/0253902 A1 12/2004 Sinisi
2005/0144857 A1 7/2005 Guerrero
2005/0245167 A1 11/2005 Sinisi
2007/0173095 A1 7/2007 Bin-Nun

2007/0264901 A1 11/2007 Sisamos
2009/0004946 A1 1/2009 Sinisi
2009/0186553 A1 7/2009 Aggar
2010/0151765 A1 6/2010 Kwak
2011/0039474 A1 2/2011 Bruder
2012/0135665 A1 5/2012 Azmani
2013/0165012 A1 6/2013 Klauber
2013/0178129 A1 7/2013 Habibi

* cited by examiner

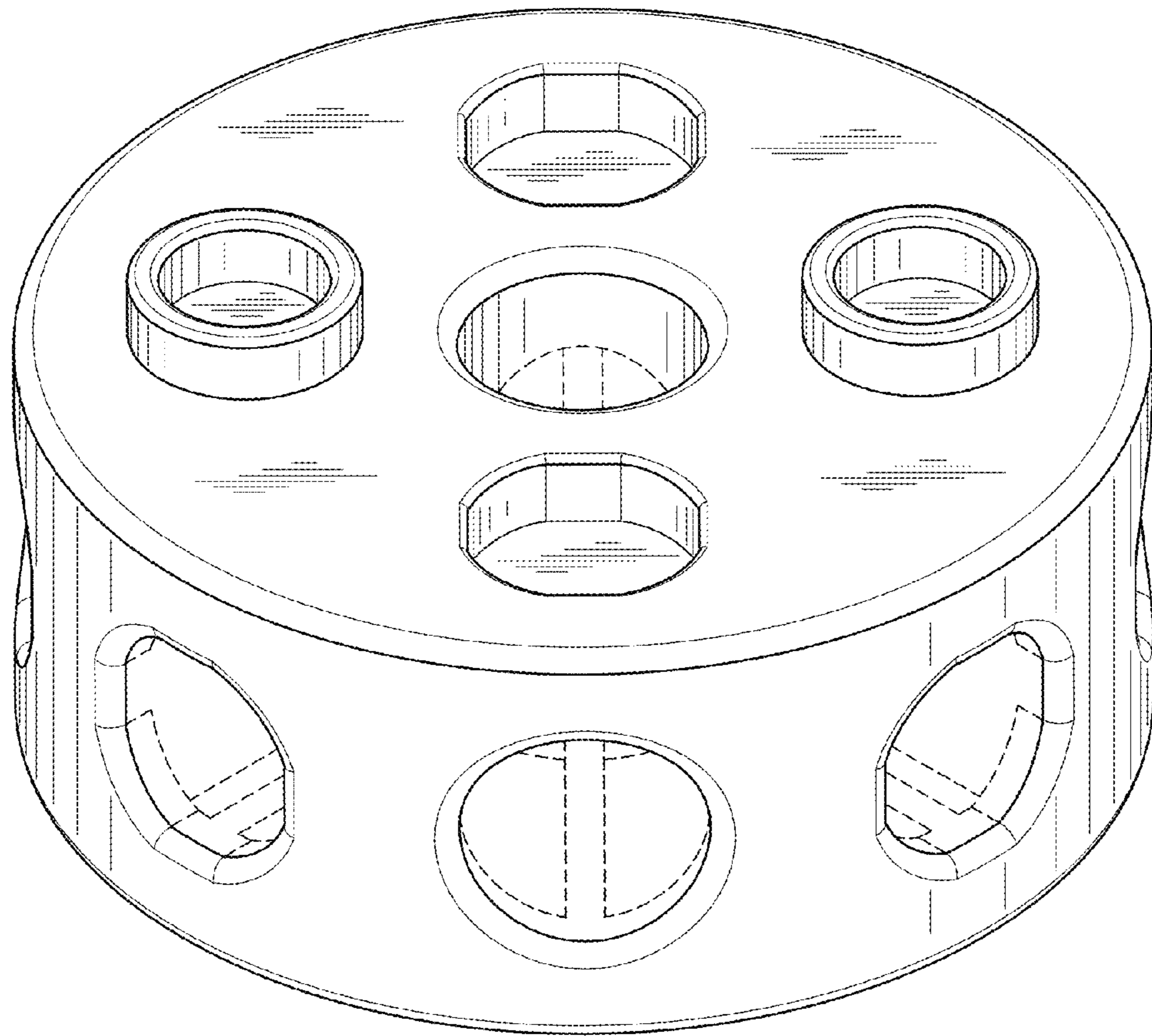


Fig. 1

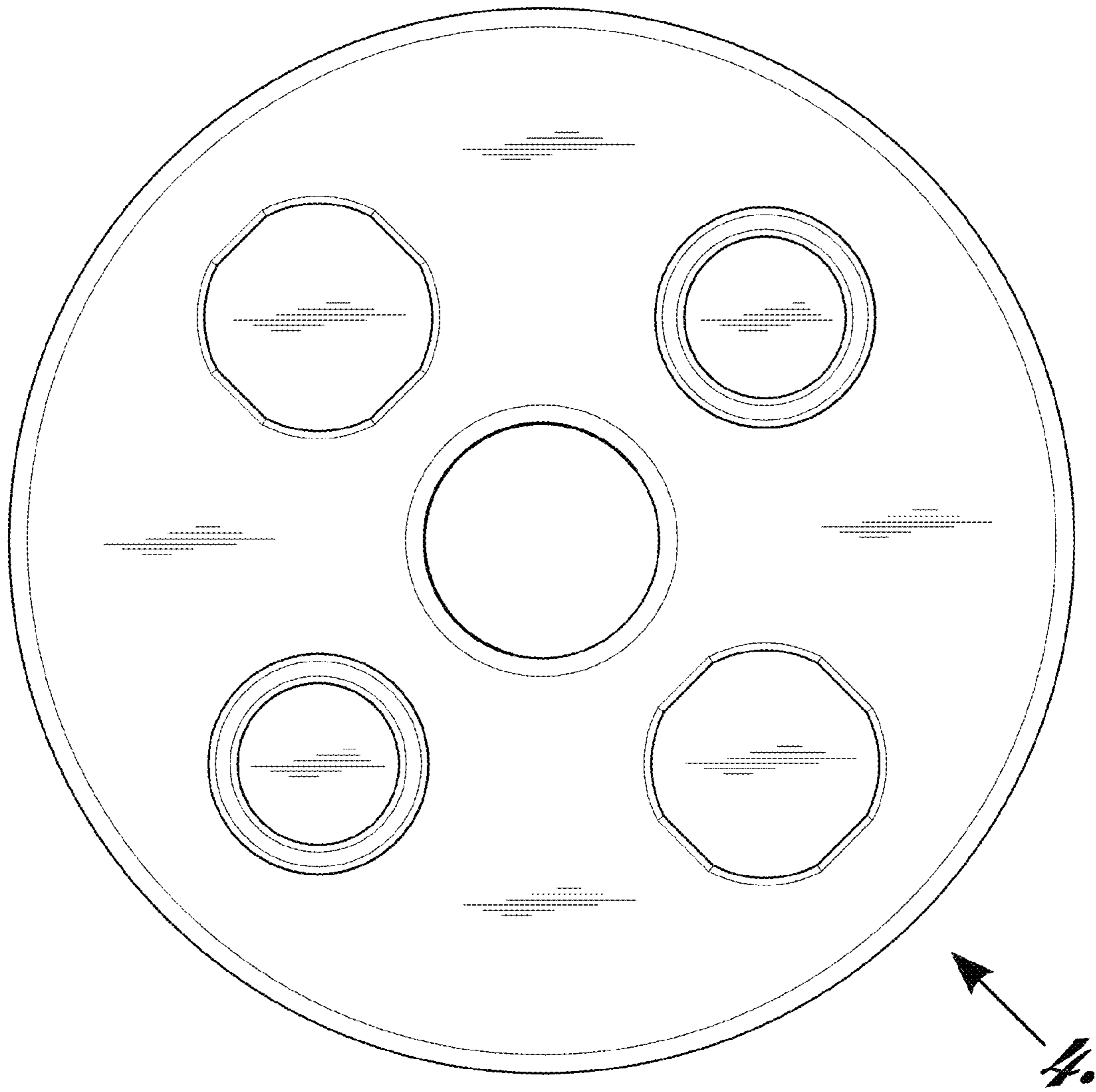


Fig. 2

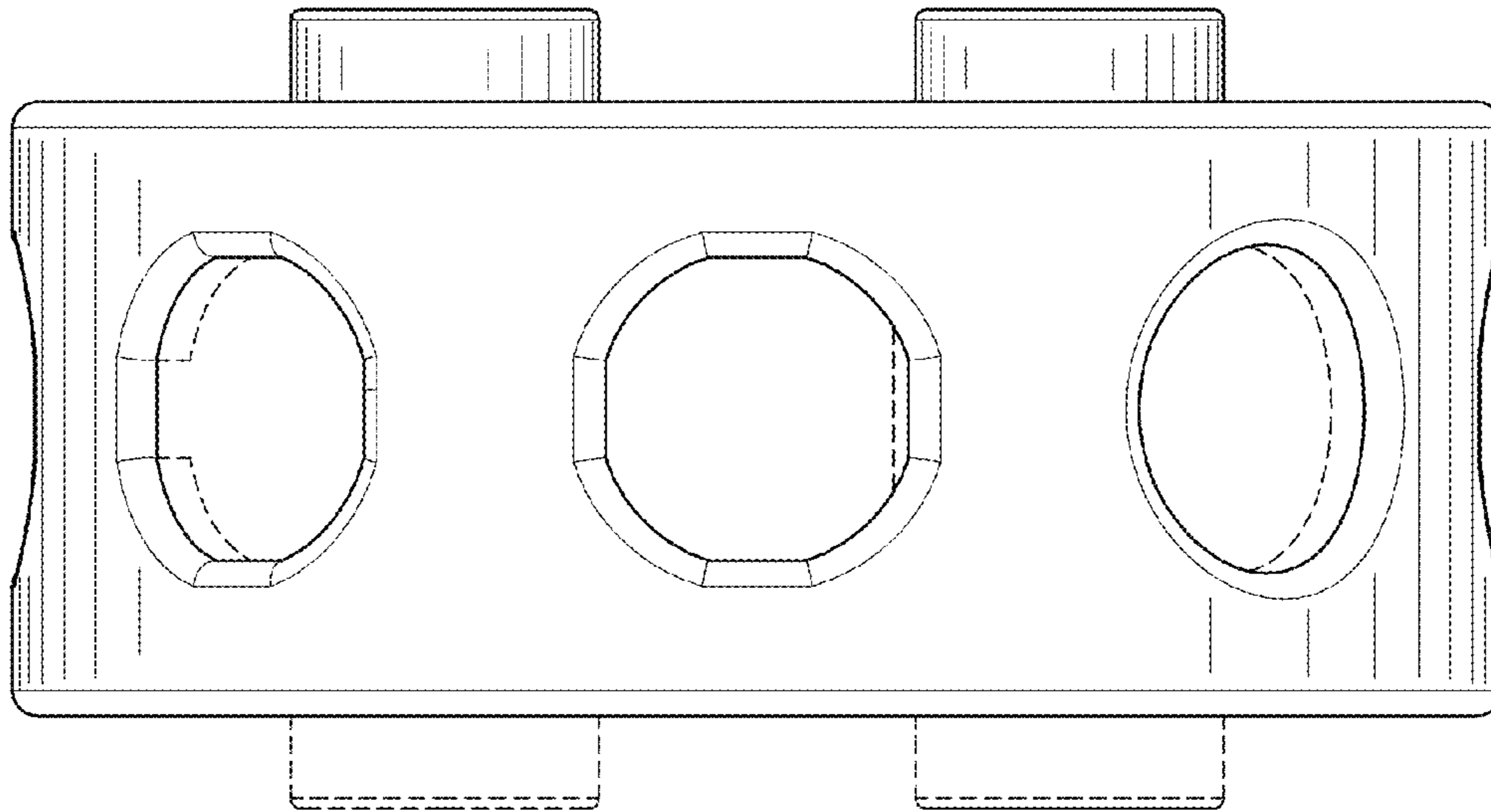


Fig. 3

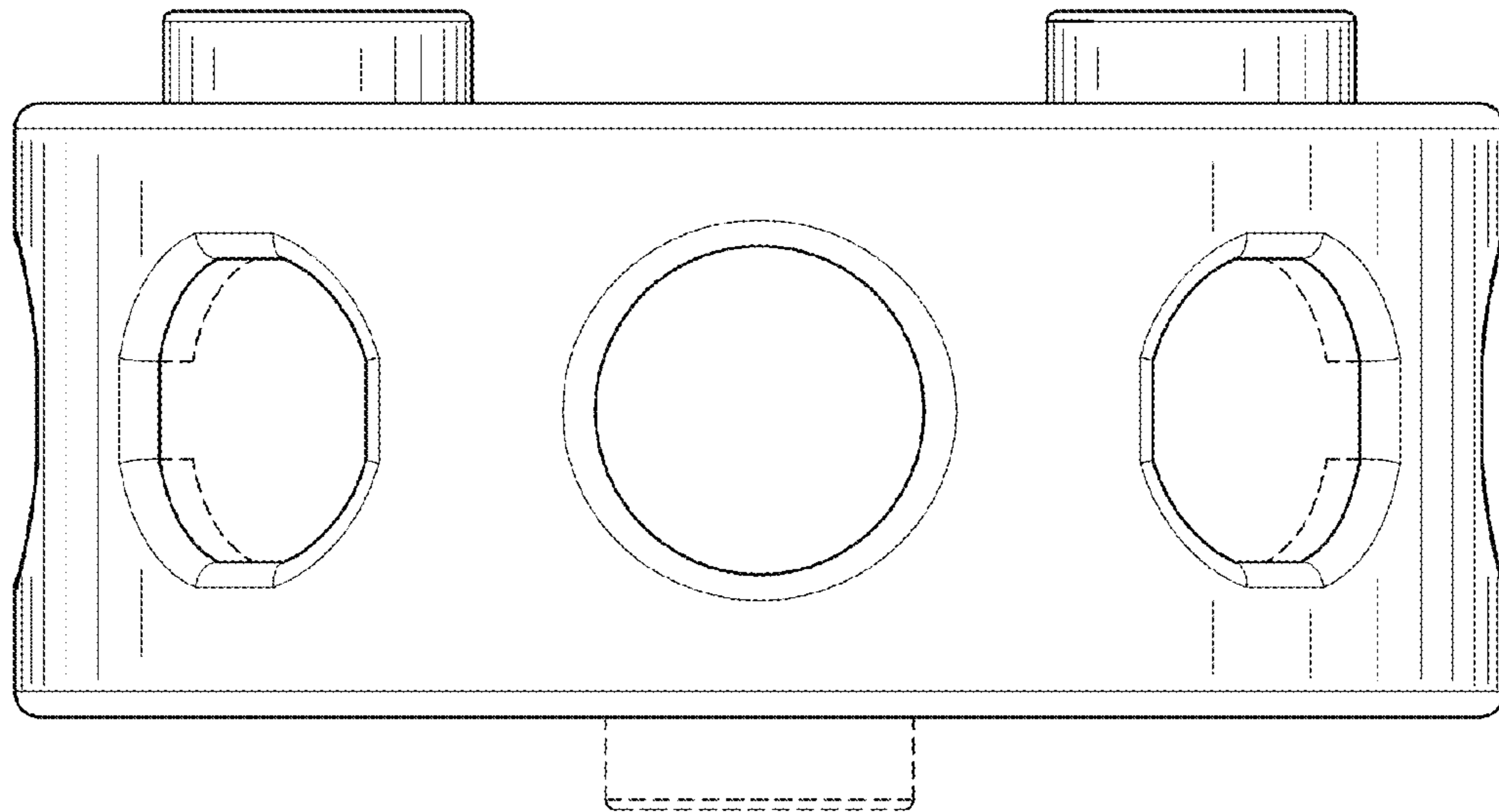


Fig. 4

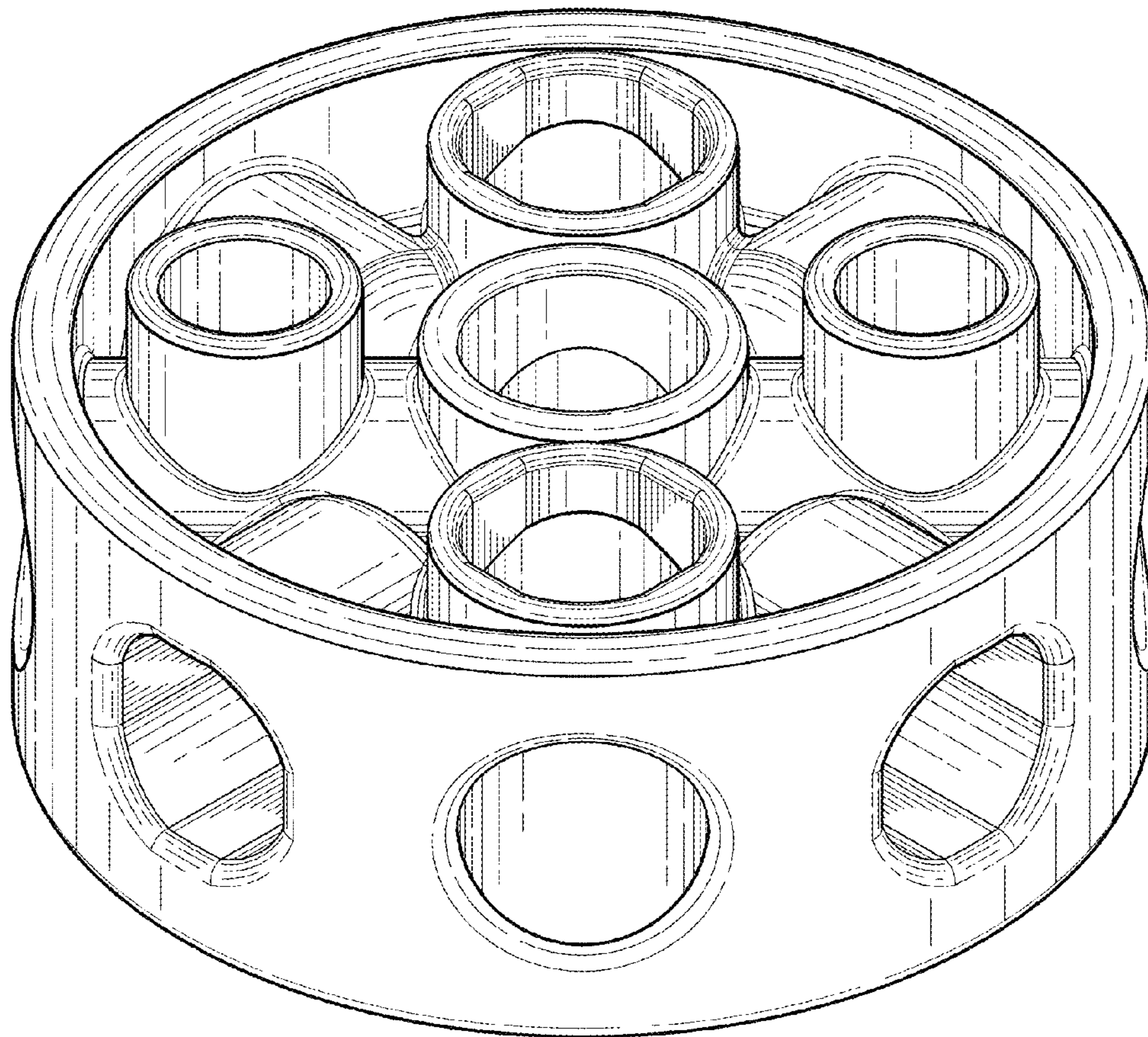


Fig. 5

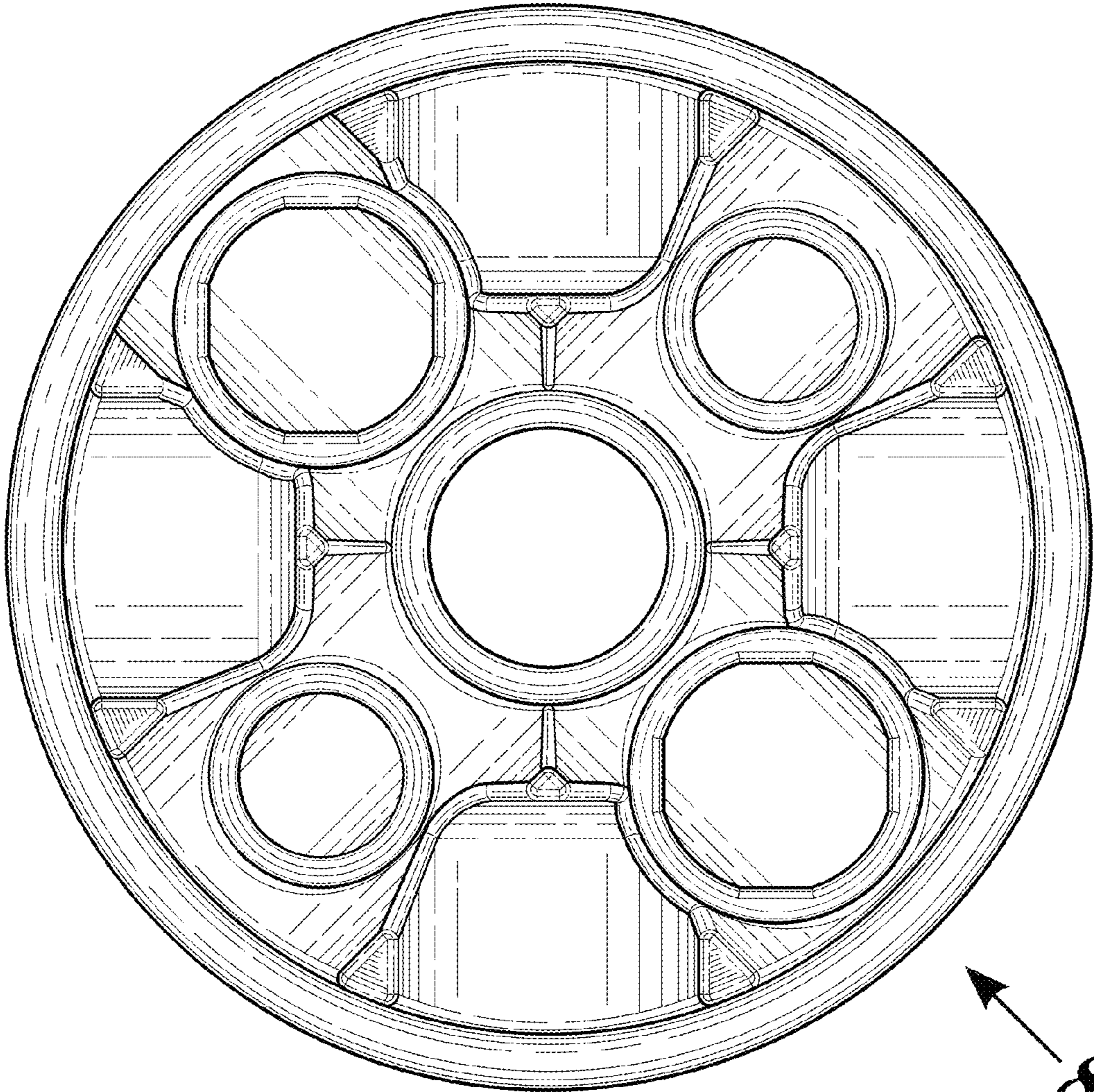


Fig. 6

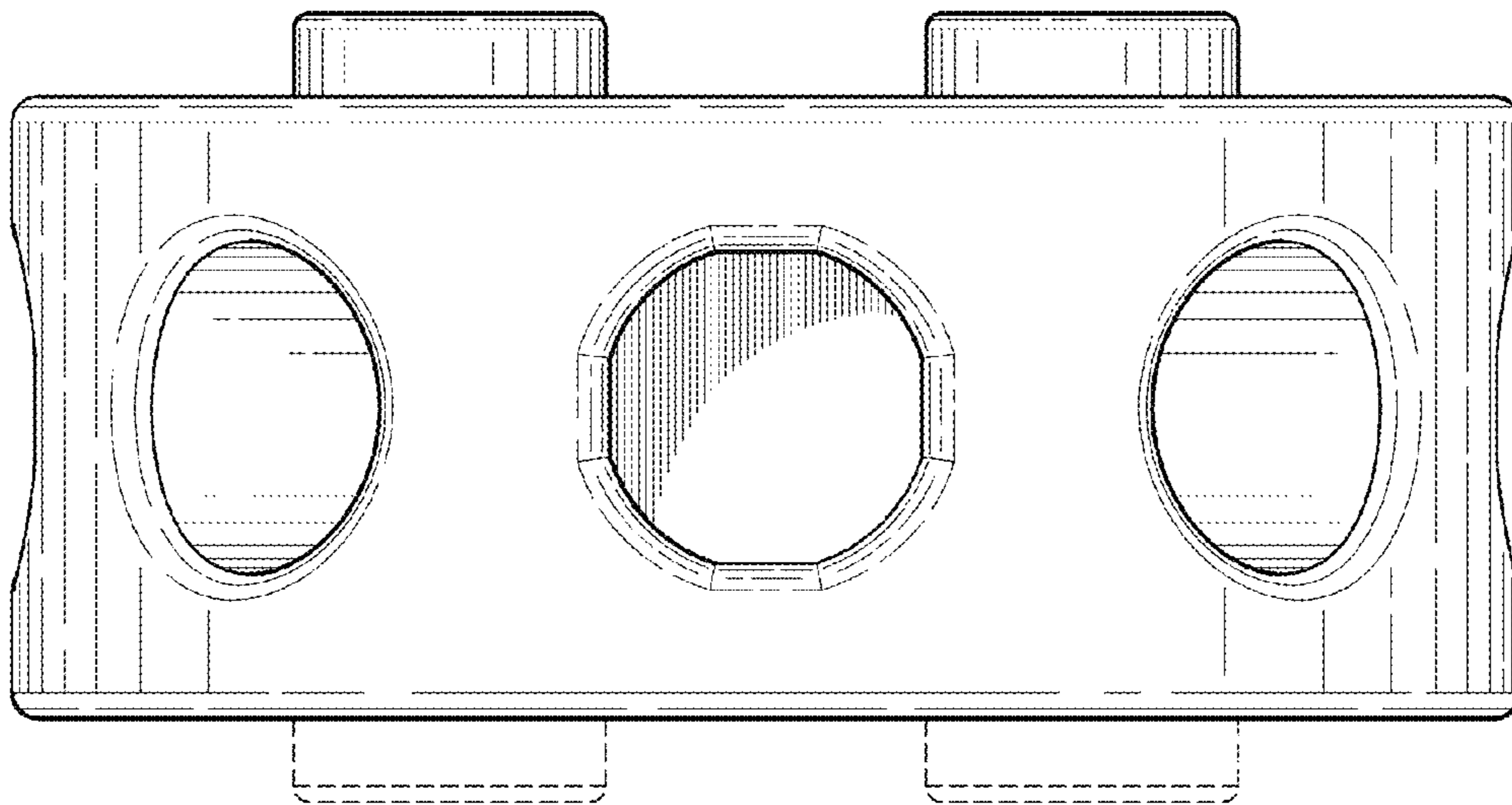


Fig. 7

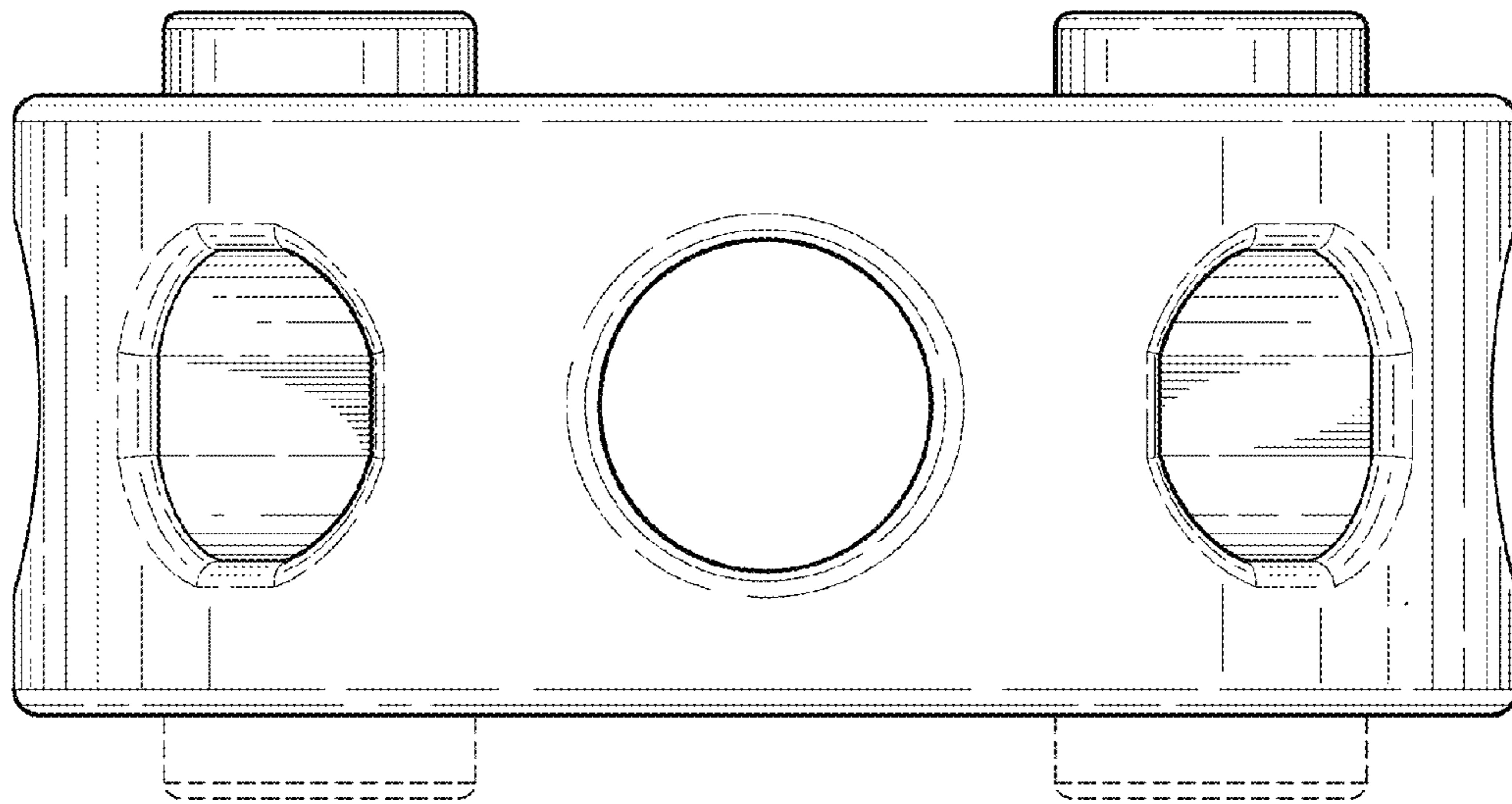


Fig. 8