



US00D762266S

(12) **United States Design Patent**  
**Bolieau**

(10) **Patent No.:** **US D762,266 S**  
(45) **Date of Patent:** **\*\* Jul. 26, 2016**

(54) **COMBINATION CRIBBAGE BOARD AND CABINET**

(71) Applicant: **Roger A. Bolieau**, N. Fort Myers, FL (US)

(72) Inventor: **Roger A. Bolieau**, N. Fort Myers, FL (US)

(\*\*) Term: **14 Years**

(21) Appl. No.: **29/515,478**

(22) Filed: **Jan. 23, 2015**

(51) **LOC (10) Cl.** ..... **21-01**

(52) **U.S. Cl.**  
USPC ..... **D21/343; D21/393**

(58) **Field of Classification Search**  
USPC ..... D21/300, 324, 333–346, 365, 369, 385, D21/392–397, 148 R, 309, 459, 460; 273/342–346, 335, 236, 237, 238, 242, 273/244.2, 248–263, 274, 275, 277–291, 273/292; D10/46.1, 46; 235/90, 1 B–1 D; 463/13, 1, 46, 47; 16/225; 116/222–225, 325, 326  
CPC ..... A63F 1/00; A63F 1/06; A63F 1/062; A63F 1/067; A63F 1/18; A63F 3/0023; A63F 3/00574; A63F 3/00006; A63F 3/00643; A63F 3/00082; A63F 3/00097; A63F 3/00173; A63F 3/00157; A63F 3/00261; A63F 2003/00233; A63F 2003/00946; A63F 2003/00943; A63F 2003/0034; A63F 2003/00583; A63F 2003/00182; A63F 2003/0022; A63F 2003/00255; A63F 2003/00457; A63F 2250/20; A63F 9/0093; A63F 9/24; A63F 11/0051; A63F 2011/0055; A63F 2009/245134

See application file for complete search history.

(56) **References Cited**

U.S. PATENT DOCUMENTS

D25,651 S *	6/1896	Somerville	.....	D21/343
648,814 A *	5/1900	Trewartha	.....	A63F 1/06 235/90
766,545 A *	8/1904	Sterl	.....	A63F 1/06 116/222
D47,422 S *	6/1915	Read	.....	D10/46.1
1,168,374 A *	1/1916	Barker	.....	A63F 1/18 235/90
1,299,489 A *	4/1919	Lowman	.....	A63F 1/18 235/90
1,420,334 A *	6/1922	Neuner	.....	A63F 3/0023 273/285
1,849,676 A *	3/1932	Loewenthal	.....	A63F 3/00895 273/285
D90,755 S *	9/1933	Elliotte	.....	D10/46.1
D136,008 S *	7/1943	Brooks	.....	273/148 R
D144,692 S *	5/1946	Canfield	.....	D10/46.1
2,477,825 A *	8/1949	Richardson	.....	A63F 1/18 116/222
2,482,247 A *	9/1949	Colon	.....	
D159,808 S *	8/1950	Haring	.....	D10/46.1
2,544,900 A *	3/1951	Saqui	.....	A63F 1/18 235/90
2,560,583 A *	7/1951	Lupton	.....	A63B 71/0672 235/124

(Continued)

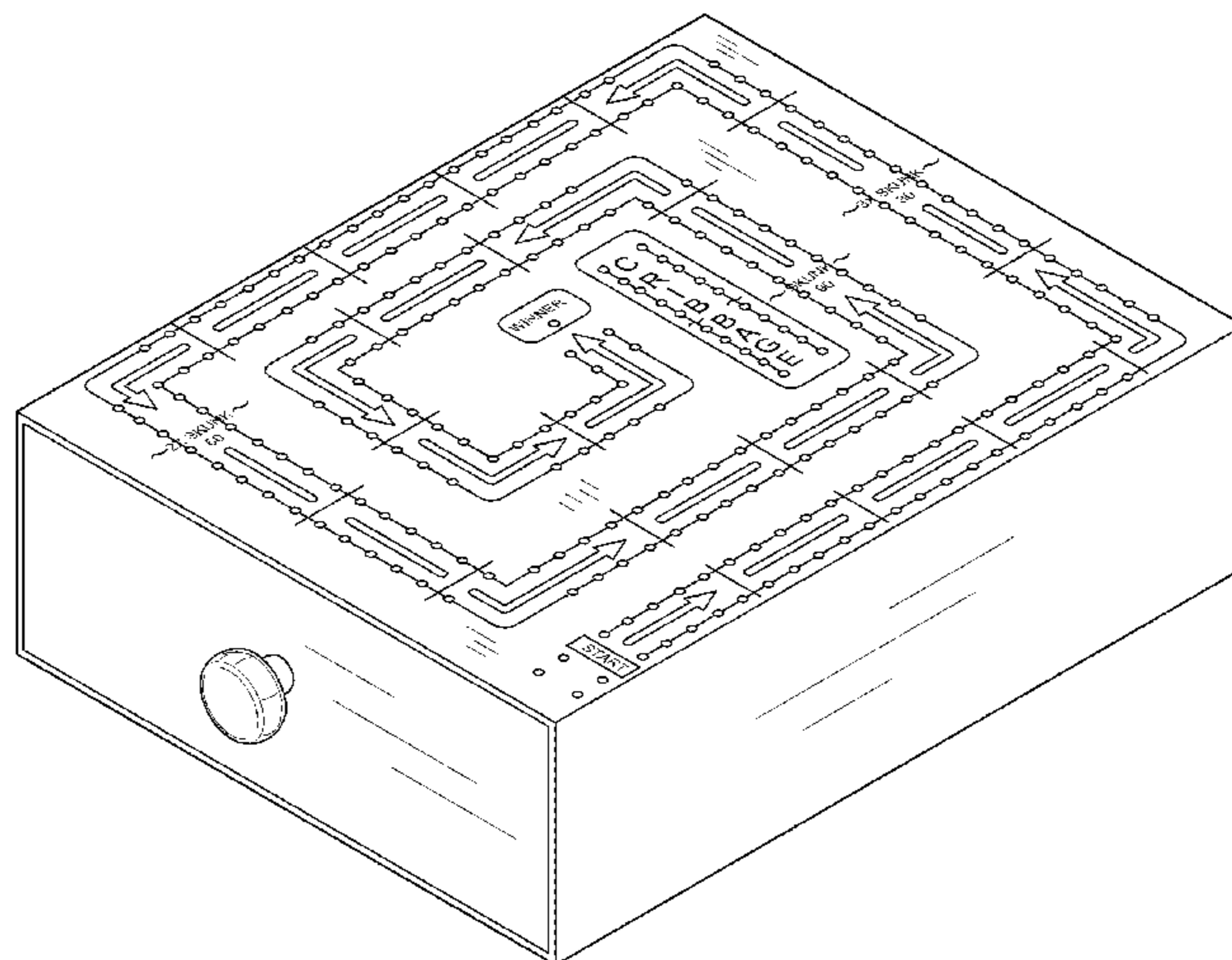
*Primary Examiner* — Susan Moon Lee

(57) **CLAIM**  
The ornamental design for a combination cribbage board and cabinet, as shown and described.

**DESCRIPTION**

FIG. 1 is a top view of a combination cribbage board and cabinet showing my new design; FIG. 2 is a bottom view thereof; FIG. 3 is a front view thereof; FIG. 4 is a rear view thereof; FIG. 5 is a right side view of the combination cribbage board and cabinet, the left side being a mirror image thereof; and, FIG. 6 is a top, front, side perspective view thereof.

**1 Claim, 5 Drawing Sheets**



(56)

References Cited

U.S. PATENT DOCUMENTS

D171,246 S *	1/1954	Carlson	.....	D10/46.1	D263,061 S *	2/1982	Lease	.....	D10/46.1
D176,474 S *	12/1955	Napp	.....	D21/346	4,521,675 A *	6/1985	Yakich	.....	A63F 1/06 235/90
2,801,856 A *	8/1957	Medowar	.....	A63F 3/00006 101/378	4,541,635 A *	9/1985	Shoptaugh	.....	A63F 3/00097 273/258
3,051,490 A *	8/1962	Newman	.....	A63B 71/0672 235/90	D285,539 S *	9/1986	Fudro	.....	D10/46.1
3,169,768 A *	2/1965	Glass	.....	A63F 3/0006 273/139	D285,666 S *	9/1986	Post	.....	D10/46.1
D201,087 S *	5/1965	De Clercq	.....	D10/46.1	D295,055 S *	4/1988	Shoptaugh	.....	D21/342
3,194,560 A *	7/1965	White	.....	A63F 3/00643 273/139	D311,501 S *	10/1990	Defayette	.....	D10/46.1
3,347,460 A *	10/1967	Dickson	.....	A63F 1/06 116/222	D311,707 S *	10/1990	Clements	.....	D10/46.1
D218,692 S *	9/1970	McSweeney	.....	273/249	5,028,765 A *	7/1991	Hull	.....	A63F 1/18 235/90
D222,780 S *	12/1971	Wagnild	.....	273/242	5,126,717 A	6/1992	Renaud et al.		
3,711,101 A *	1/1973	Breslow	.....	A63F 3/00643 200/61.1	5,240,249 A	8/1993	Czarnecki et al.		
3,731,934 A *	5/1973	Shoptaugh	.....	A63F 3/00097 273/258	D341,547 S *	11/1993	Shaftel	.....	D10/46.1
3,856,307 A *	12/1974	Tinman	.....	A63F 3/00643 273/138.2	5,490,675 A *	2/1996	Persidsky	.....	A63F 3/00694 273/239
3,895,799 A *	7/1975	Rinne	.....	A63F 3/00041 273/240	5,491,324 A *	2/1996	Vanderpool	.....	A63F 1/06 116/325
3,921,983 A *	11/1975	Taylor	.....	A63F 11/0002 206/818	D376,324 S *	12/1996	McMann	.....	D10/46.1
D238,383 S *	1/1976	Birchall	.....	D10/46.1	5,590,883 A	1/1997	Brewer		
D251,078 S	2/1979	Eriksen			5,952,637 A	9/1999	Strunk		
4,236,714 A *	12/1980	Locke	.....	A63F 3/00041 273/238	D416,500 S	11/1999	Church		
					6,257,577 B1 *	7/2001	Sutton	.....	A63F 3/00082 273/246
					8,246,049 B1	8/2012	Martens et al.		
					8,677,924 B1 *	3/2014	Brown	.....	A63F 11/0051 116/325
					2004/0113361 A1	6/2004	Stephens et al.		
					2015/0273318 A1 *	10/2015	Christensen, Jr. ..	.....	A63F 3/00643 273/237

\* cited by examiner

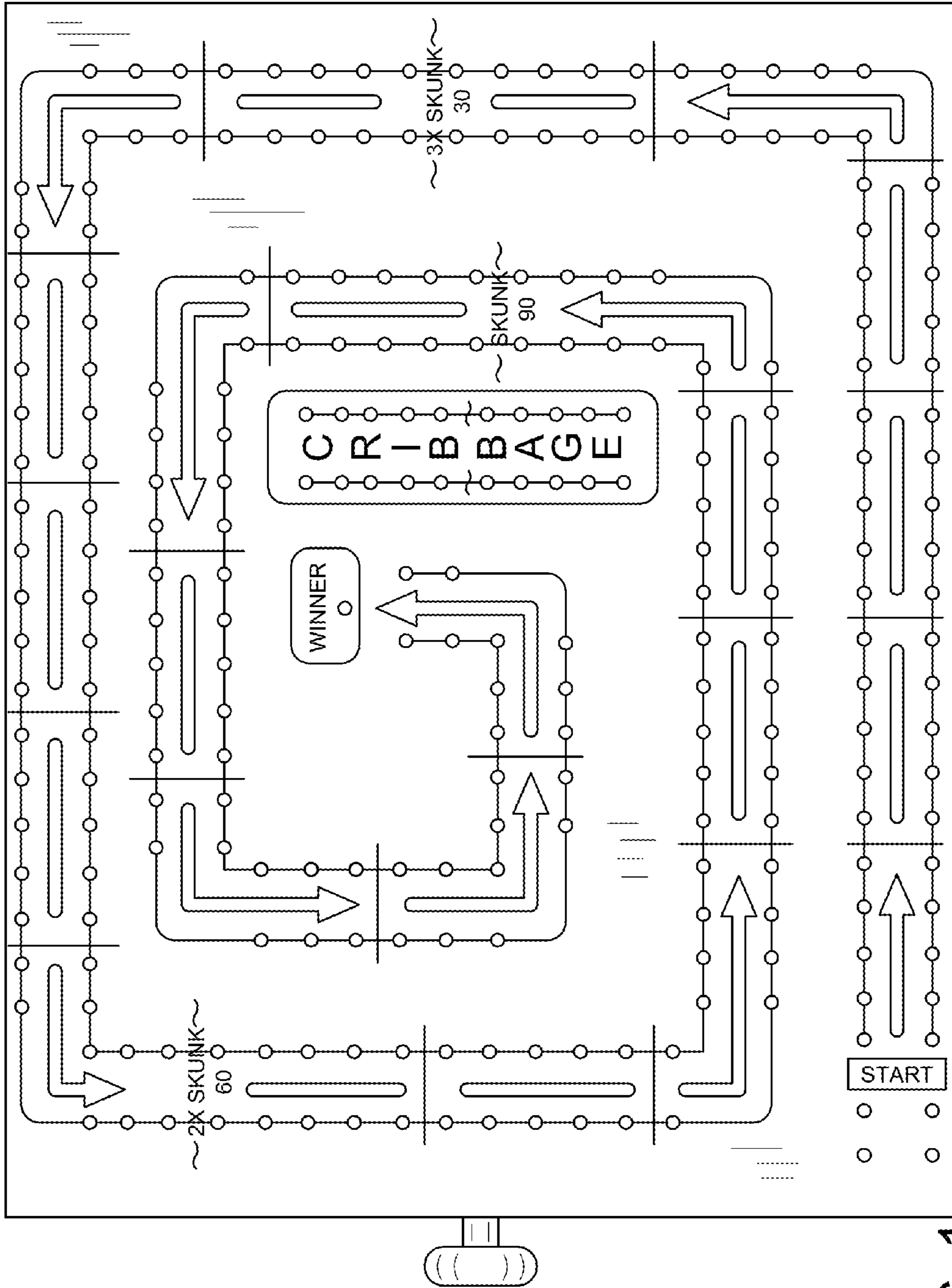


FIG. 1

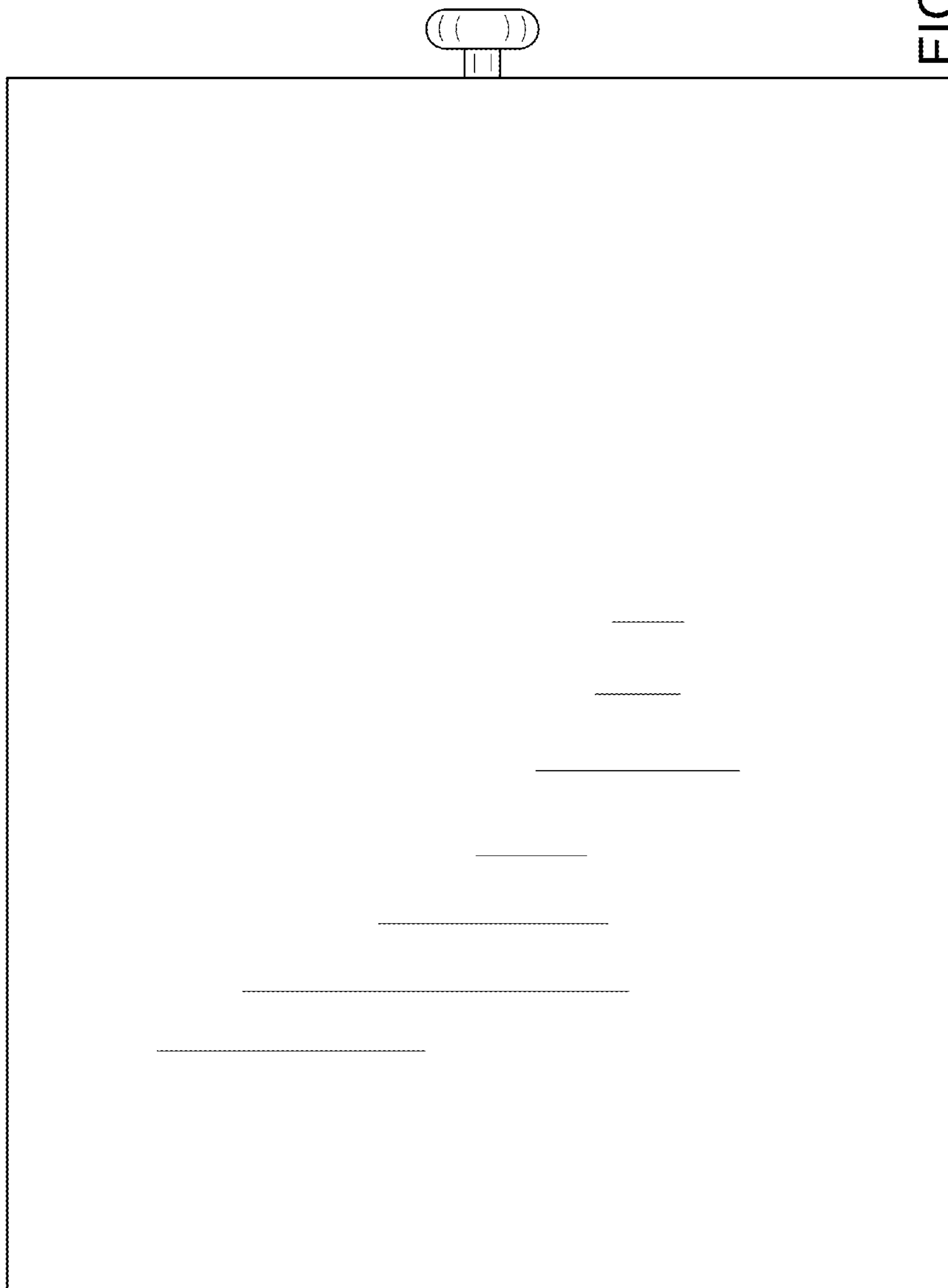


FIG. 2

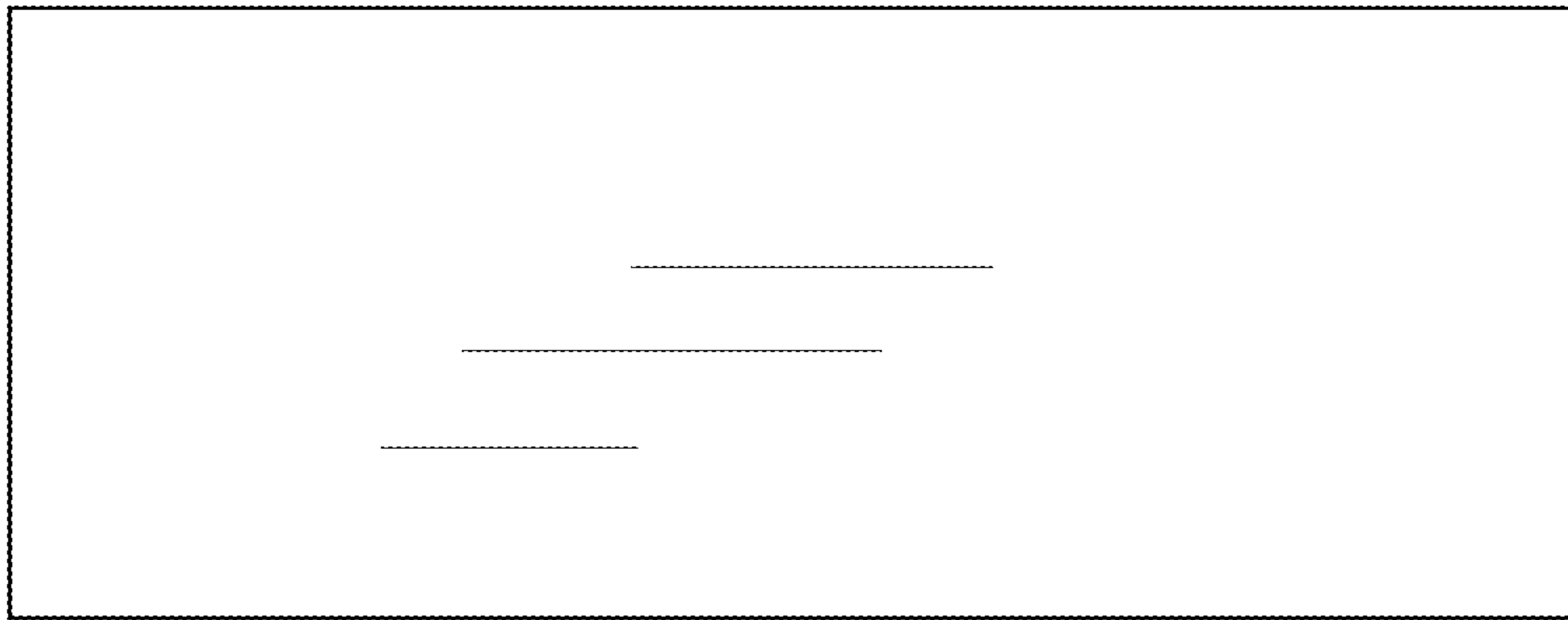


FIG. 4

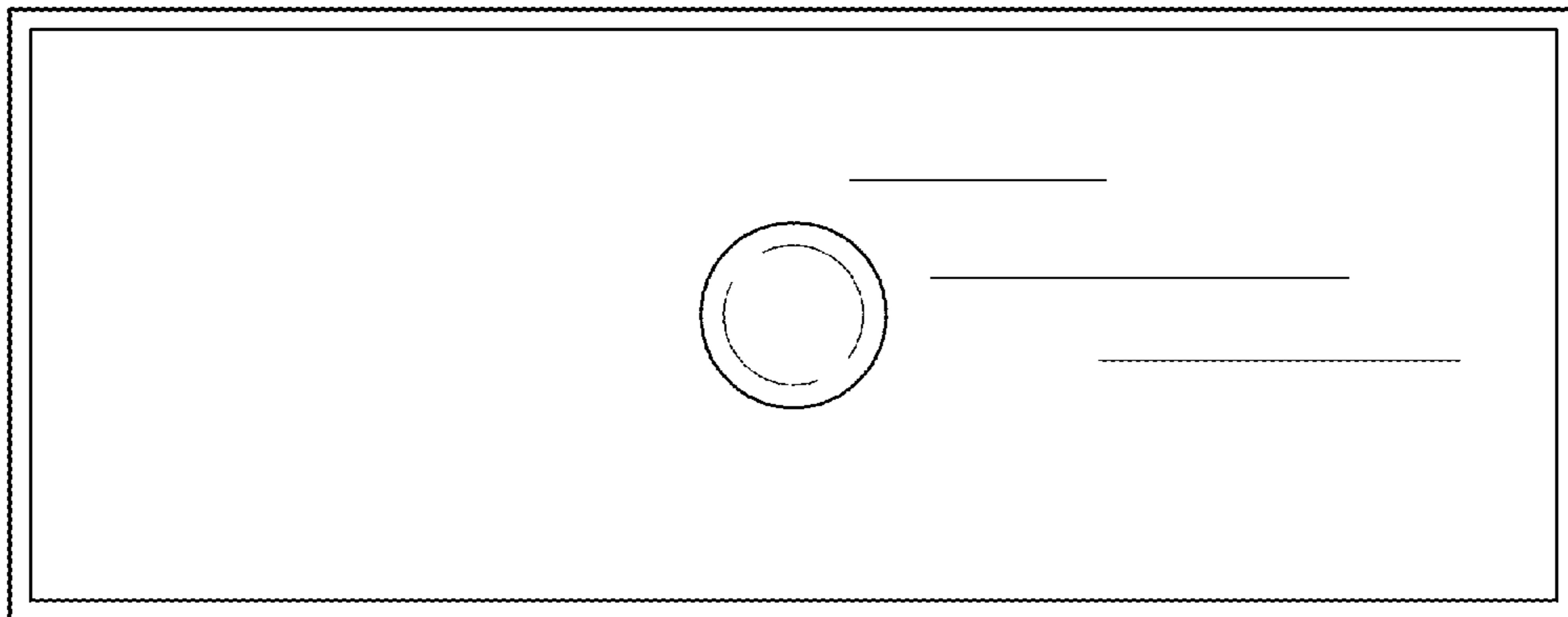


FIG. 3

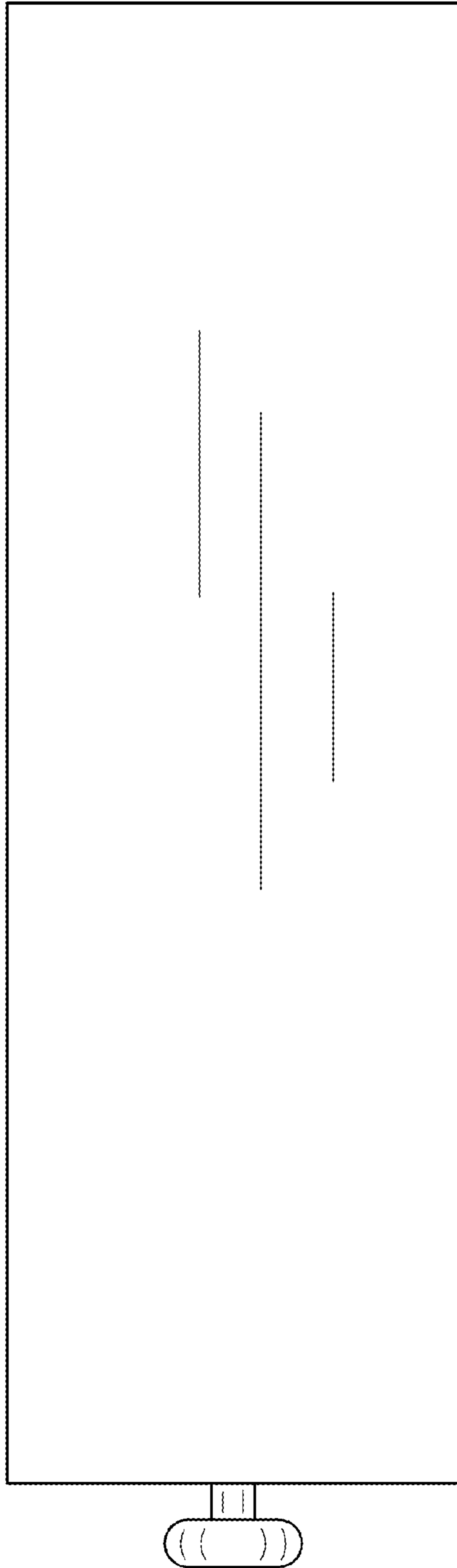


FIG. 5

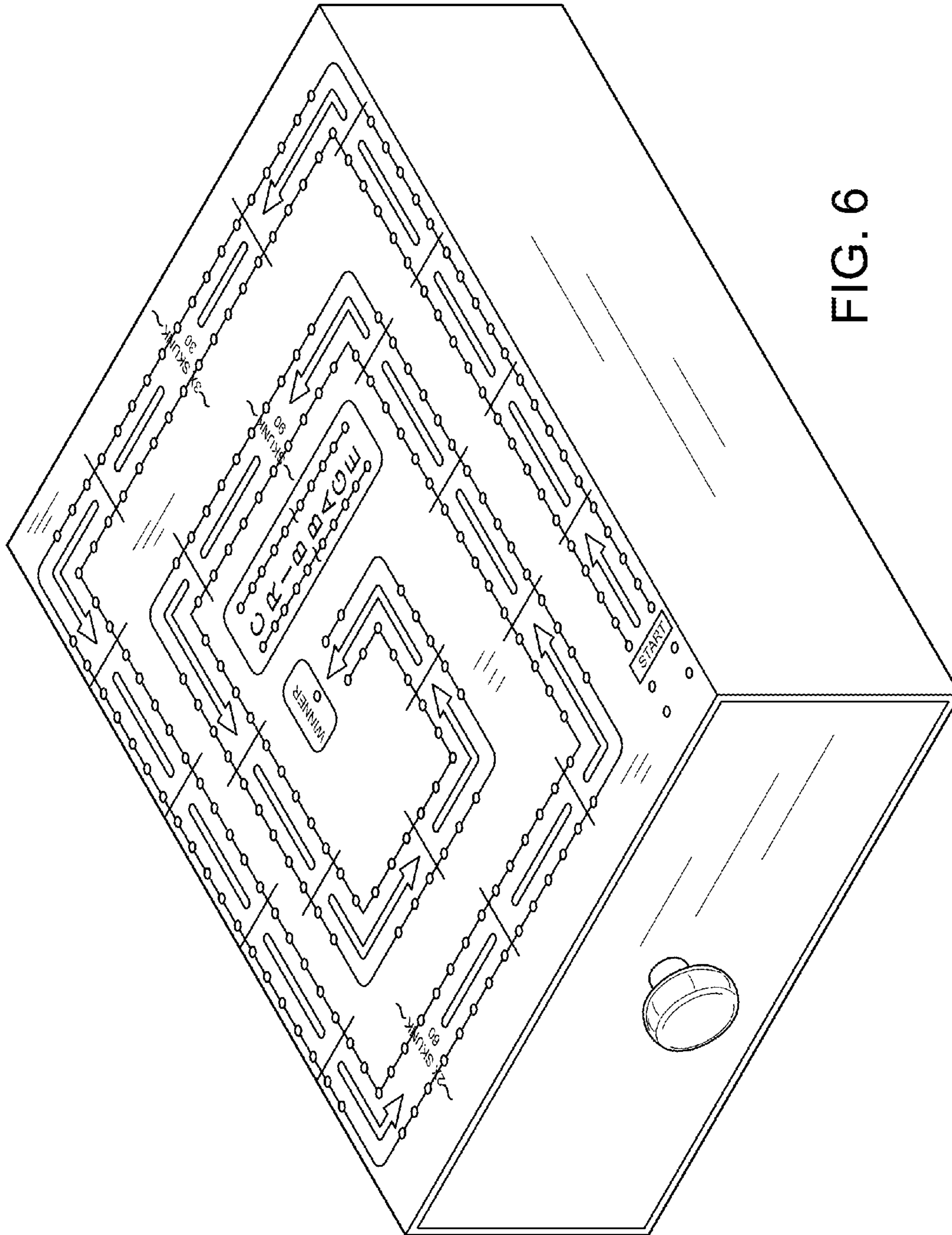


FIG. 6