



US00D762265S

(12) **United States Design Patent**  
**Perry**

(10) **Patent No.:** **US D762,265 S**  
(45) **Date of Patent:** **\*\* Jul. 26, 2016**

(54) **DART BOARD**

(71) Applicant: **Kevin Perry**, Guelph (CA)

(72) Inventor: **Kevin Perry**, Guelph (CA)

(\*\*) Term: **14 Years**

(21) Appl. No.: **29/500,973**

(22) Filed: **Aug. 29, 2014**

**Related U.S. Application Data**

(63) Continuation of application No. 29/461,640, filed on Jul. 25, 2013, now Pat. No. Des. 713,887.

(30) **Foreign Application Priority Data**

Apr. 18, 2013 (CA) ..... 150754

(51) **LOC (10) Cl.** ..... **21-01**

(52) **U.S. Cl.**  
USPC ..... **D21/308**

(58) **Field of Classification Search**  
USPC ..... D21/307-208  
CPC ..... F41J 3/0009  
See application file for complete search history.

(56) **References Cited**

U.S. PATENT DOCUMENTS

2,145,434 A *	1/1939	Rubin .....	F41J 3/0076
			106/156.5
D158,950 S *	6/1950	Fleming .....	D21/307
D159,617 S *	8/1950	Horne .....	D21/308
D222,281 S	10/1971	Feagans et al.	
D242,270 S *	11/1976	Iaquinta .....	D21/307
D246,611 S	12/1977	Noyes et al.	
D713,887 S *	9/2014	Perry .....	D21/307

\* cited by examiner

*Primary Examiner* — George D Kirschbaum

(74) *Attorney, Agent, or Firm* — Neal, Gerber & Eisenberg LLP

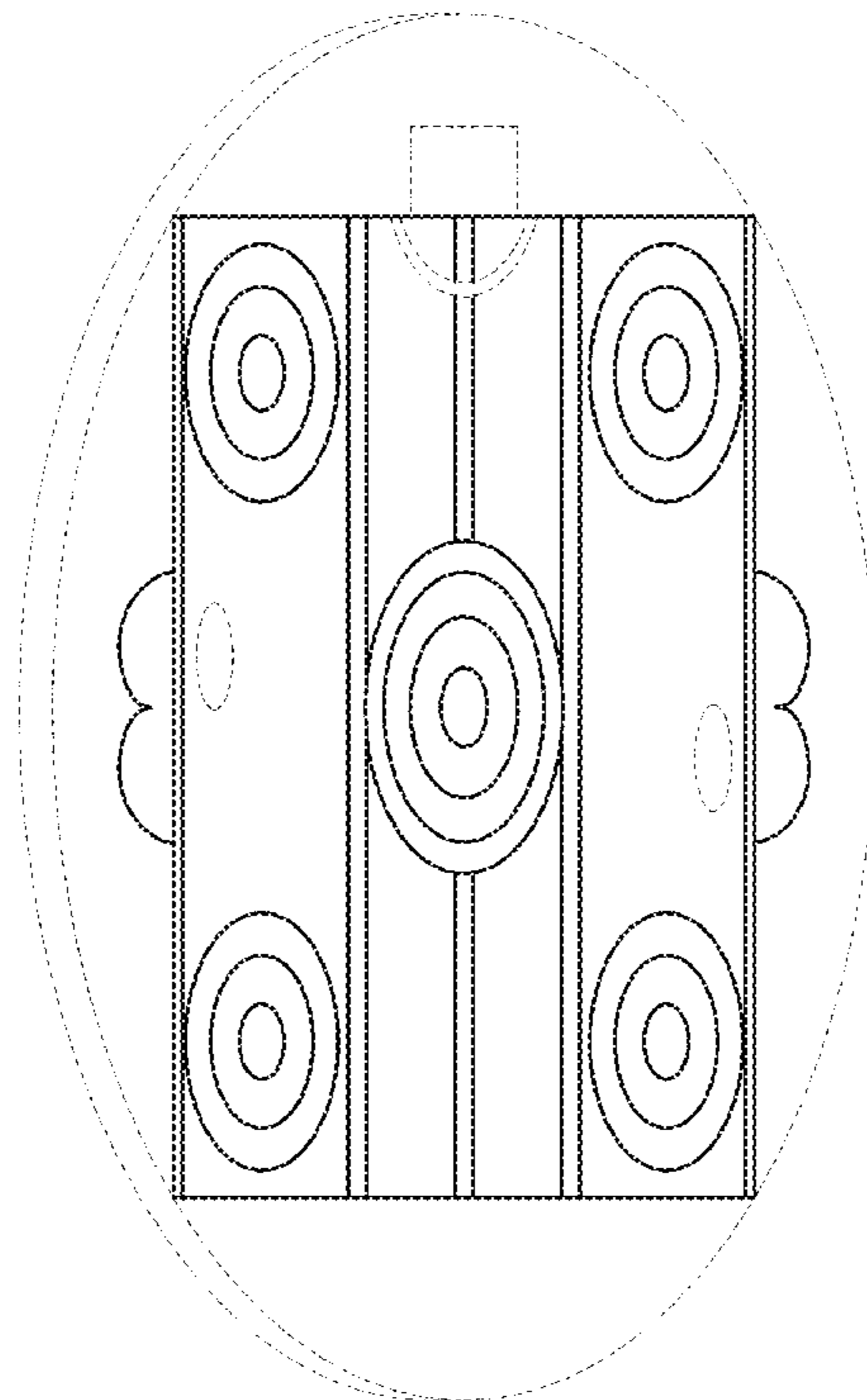
(57) **CLAIM**

The ornamental design for a dart board, as shown and described.

**DESCRIPTION**

FIG. 1 is a front perspective of the dart board showing my new design;  
FIG. 2 is a front plan view thereof;  
FIG. 3 is a left side elevational view thereof;  
FIG. 4 is a top view thereof;  
FIG. 5 is a bottom view thereof;  
FIG. 6 is a right side elevational view thereof; and,  
FIG. 7 is a rear plan view thereof.  
The broken lines in the drawings illustrate the portions of the design that form no part of the claim.

**1 Claim, 3 Drawing Sheets**



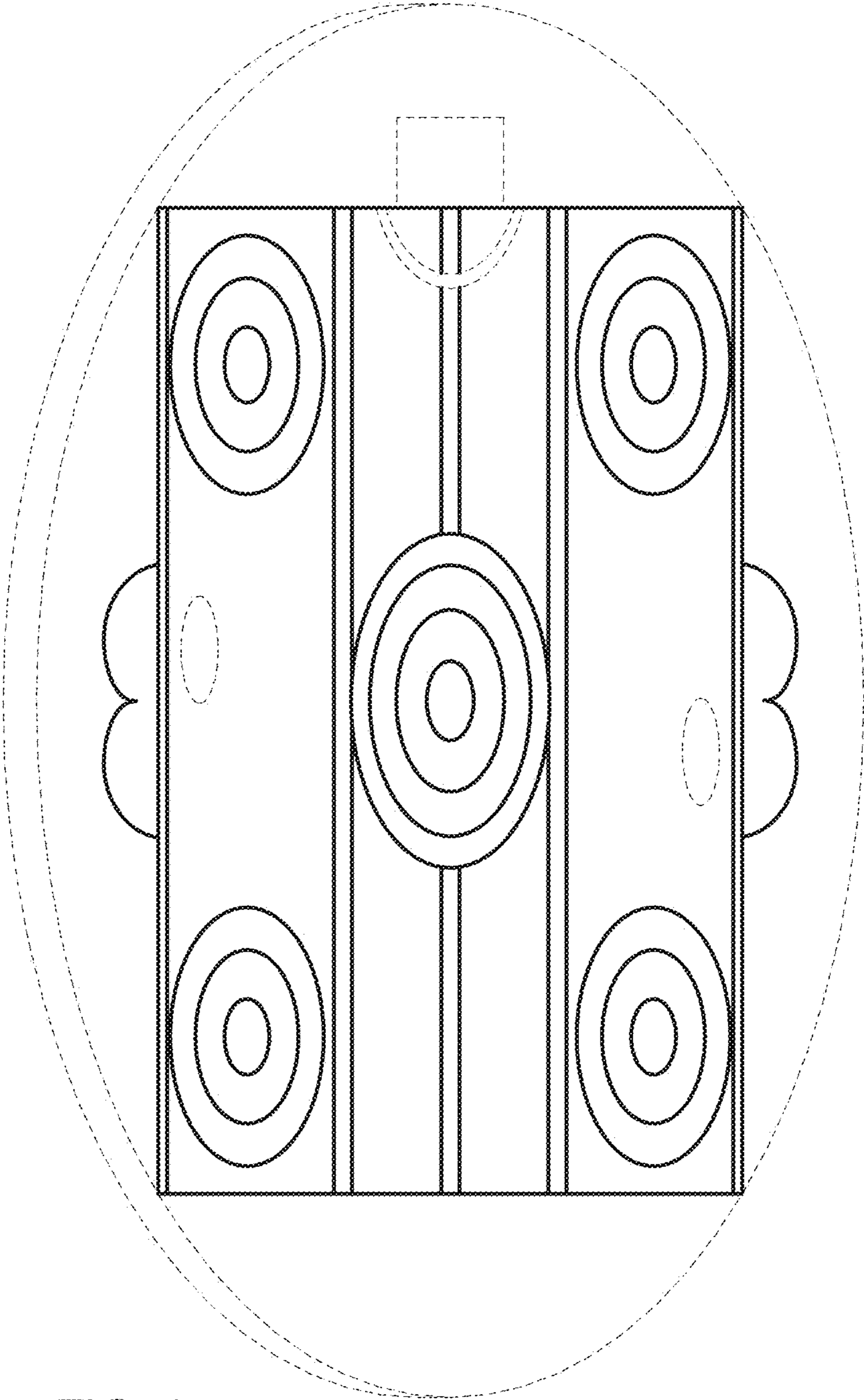


FIG. 1

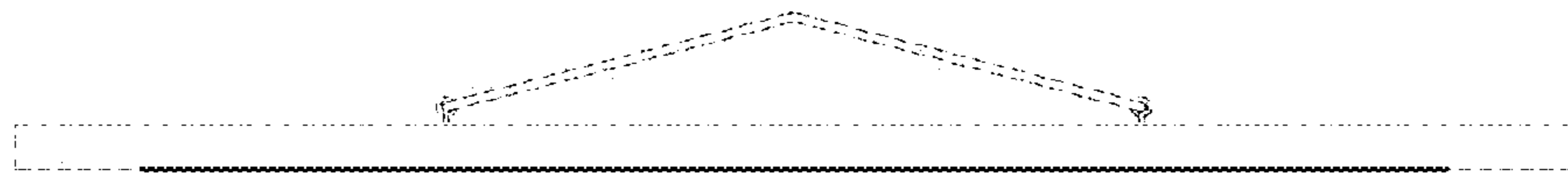


FIG. 4

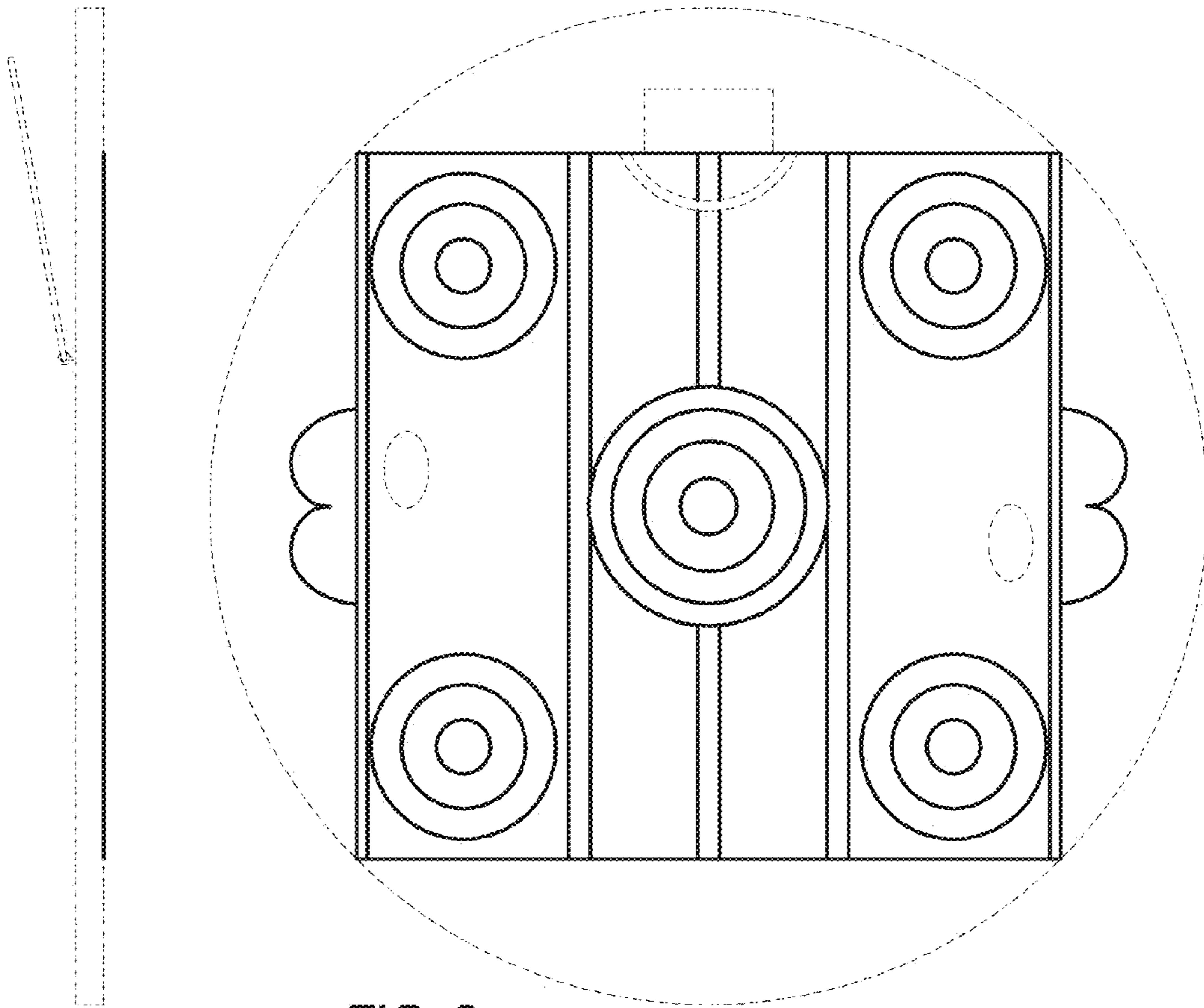


FIG. 2

FIG. 3

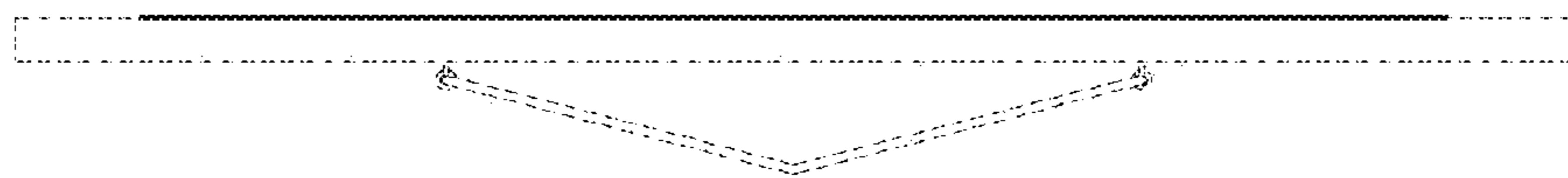
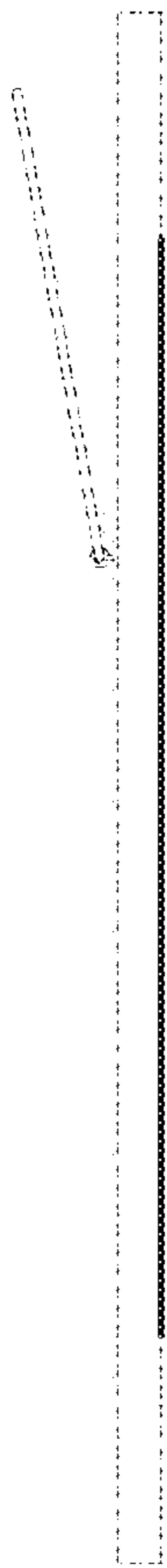


FIG. 5

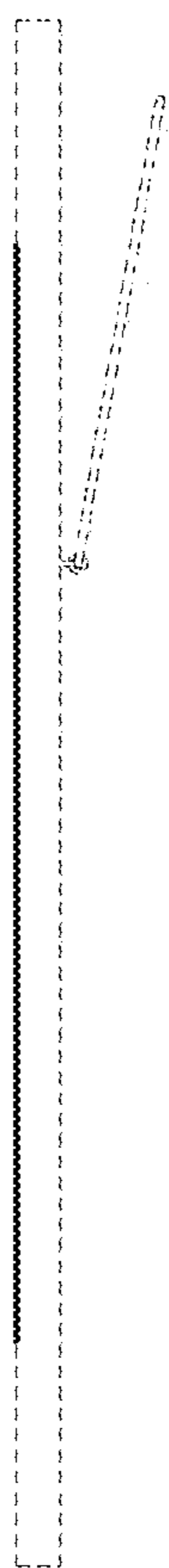


FIG. 6

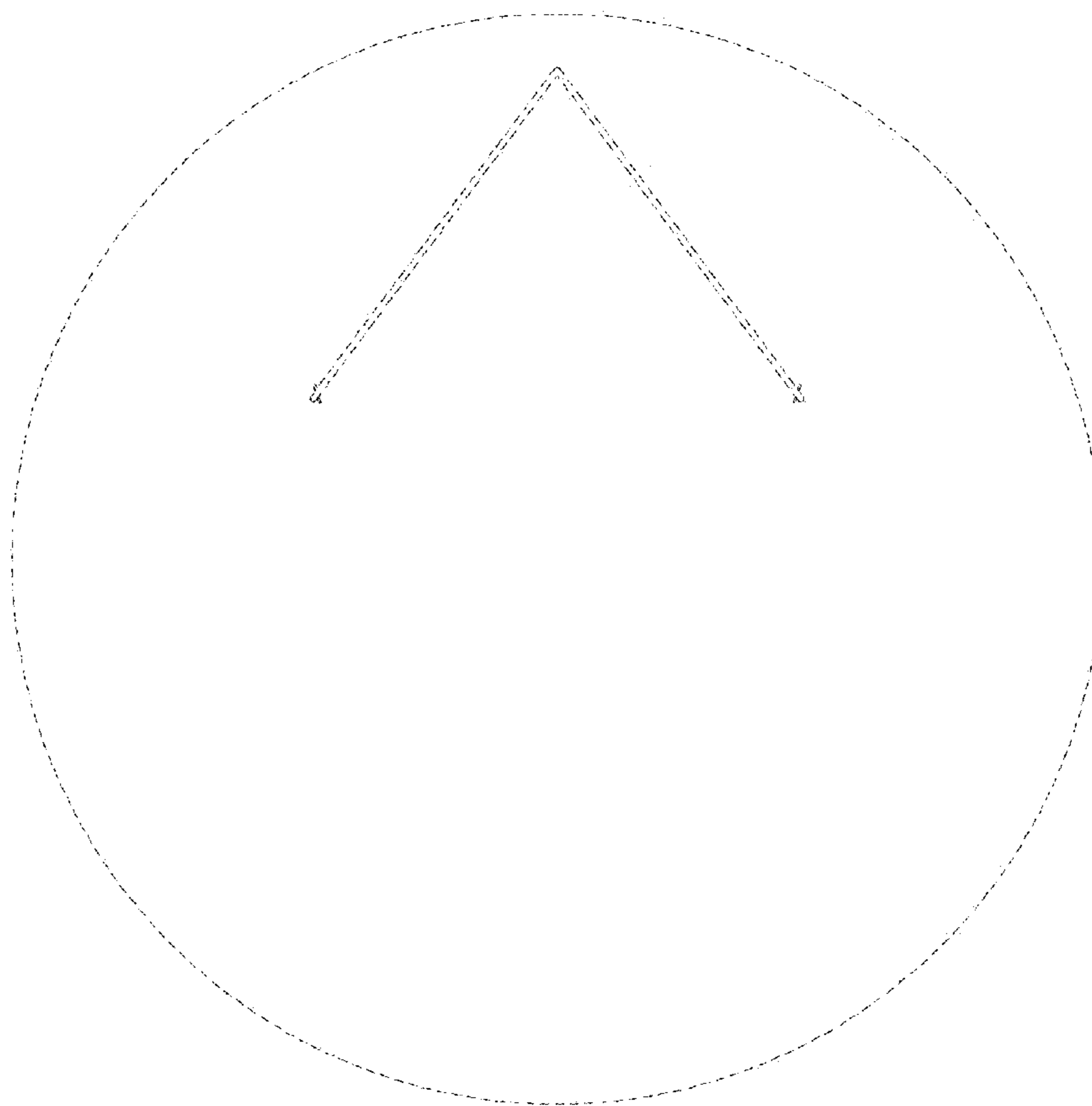


FIG. 7