



US00D762263S

(12) **United States Design Patent**
Canchola et al.

(10) **Patent No.:** **US D762,263 S**
(45) **Date of Patent:** **** Jul. 26, 2016**

(54) **TAG**

(71) Applicants: **Kim Canchola**, Canyon Country, CA (US); **Marlena N. Coleman**, Studio City, CA (US); **Ronald G. Ennis**, Los Angeles, CA (US); **Shane Taghavi**, Valencia, CA (US)

(72) Inventors: **Kim Canchola**, Canyon Country, CA (US); **Marlena N. Coleman**, Studio City, CA (US); **Ronald G. Ennis**, Los Angeles, CA (US); **Shane Taghavi**, Valencia, CA (US)

(73) Assignee: **Precision Dynamics Corporation**, Valencia, CA (US)

(**) Term: **14 Years**

(21) Appl. No.: **29/498,427**

(22) Filed: **Aug. 4, 2014**

(51) **LOC (10) Cl.** **19-08**

(52) **U.S. Cl.**
USPC **D20/27**

(58) **Field of Classification Search**

USPC D20/10, 11, 19, 22-28, 40, 99; D11/3, D11/5; D19/1, 2, 4, 9, 10
CPC G09F 1/00; G09F 1/02; G09F 1/06; G09F 1/10; G09F 1/12; G09F 3/00; G09F 3/02; G09F 3/04; G09F 3/08; G09F 3/14; G09F 3/16; G09F 3/20; G09F 3/203; G09F 3/207; G09F 3/0288; G09F 3/0289; G09F 3/0298; G09F 2003/0208; G09F 2003/0264; G09F 2003/0266; G09F 2003/0272; G09F 2003/0273; G09F 2003/0285

See application file for complete search history.

(56) **References Cited**

U.S. PATENT DOCUMENTS

2,641,074 A * 6/1953 Richmond G09F 3/005
40/633
3,965,589 A * 6/1976 McDermott G09F 3/005
40/633

(Continued)

Primary Examiner — Mary Ann Calabrese

(74) *Attorney, Agent, or Firm* — Quarles & Brady LLP

(57) **CLAIM**

The ornamental design for a tag, as shown and described.

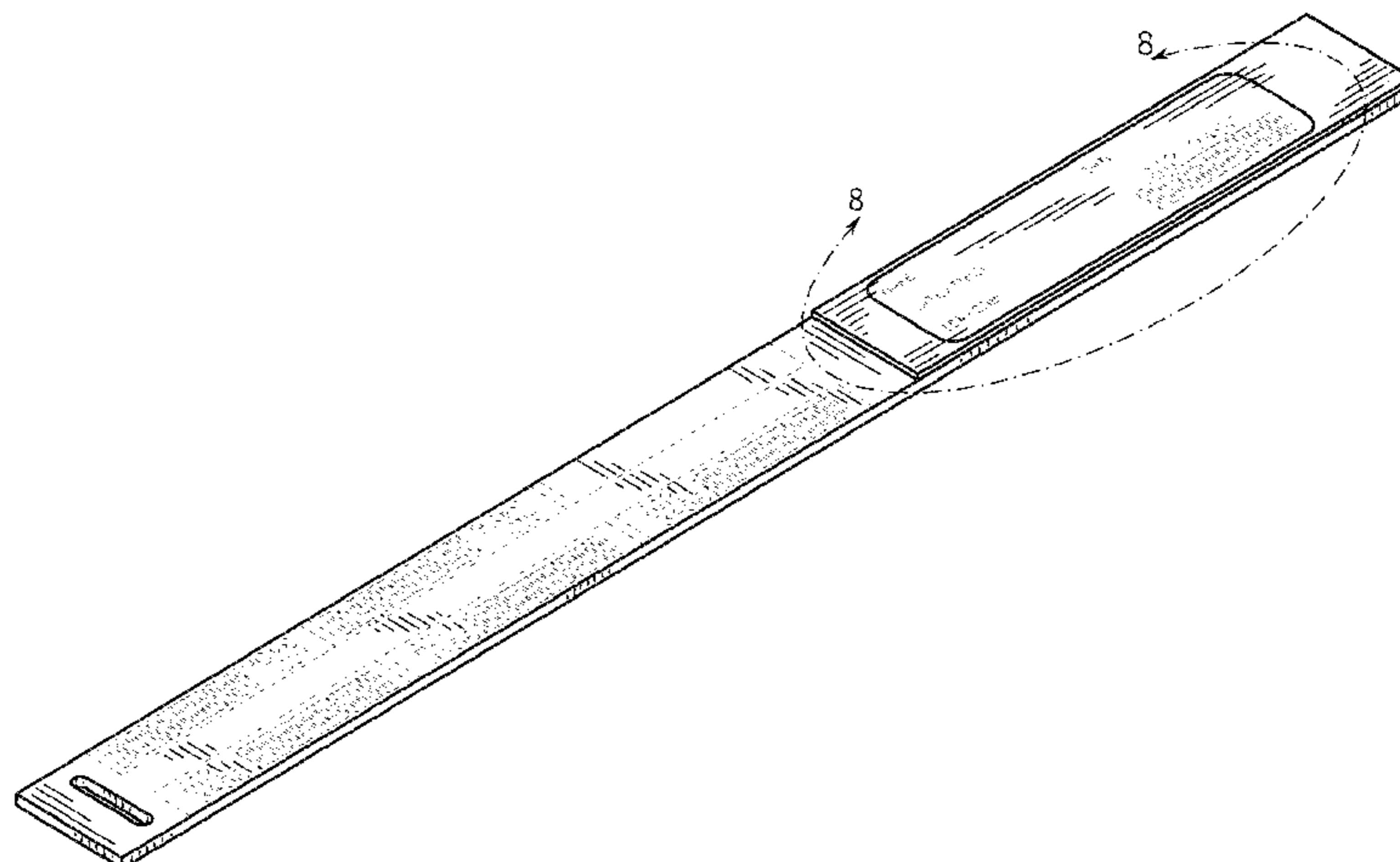
DESCRIPTION

FIG. 1 is a top, front, and left perspective view of a right hand version of the tag, embodying my new design;
FIG. 2 is a top plan view of the right hand version of the tag;
FIG. 3 is a bottom plan view of the right hand version of the tag;
FIG. 4 is a front elevational view of the right hand version of the tag;
FIG. 5 is a rear elevational view of the right hand version of the tag;
FIG. 6 is a left elevational view of the right hand version of the tag;
FIG. 7 is a right elevational view of the right hand version of the tag;
FIG. 8 is a detailed view of the right hand version of the tag taken from line 8-8 of FIG. 1;
FIG. 9 is a top, front, and right perspective view of a left hand version of the tag, embodying my new design;
FIG. 10 is a top plan view of the left hand version of the tag;
FIG. 11 is a bottom plan view of the left hand version of the tag;
FIG. 12 is a front elevational view of the left hand version of the tag;
FIG. 13 is a rear elevational view of the left hand version of the tag;
FIG. 14 is a left elevational view of the left hand version of the tag;
FIG. 15 is a right elevational view of the left hand version of the tag; and,
FIG. 16 is a detailed view of the left hand version of the tag taken from line 16-16 of FIG. 9.

In a preferred embodiment, the nature of this product is as a tag for infant identification in which the tag offers improved viewing and scanning of patient information found thereon and is connectable to a tether or has a tether integrated there-with.

In the drawings, the broken lines illustrate features that form no part of the claimed design.

1 Claim, 6 Drawing Sheets



(56)

References Cited

U.S. PATENT DOCUMENTS

4,199,882	A *	4/1980	Clayman	A61B 5/117 40/633	8,296,982	B2	10/2012	Bekker	
4,616,436	A *	10/1986	De Woskin	G09F 3/005 24/16 PB	D675,123	S *	1/2013	Nunez D11/3
4,906,025	A *	3/1990	Schreindl	A44C 5/0046 224/219	D703,755	S	4/2014	Joseph et al.	
5,111,605	A *	5/1992	Bossi	G09F 3/205 138/104	D703,756	S	4/2014	Ennis et al.	
6,546,656	B2 *	4/2003	Twentier	G09F 3/005 40/633	D707,296	S	6/2014	Joseph et al.	
D548,129	S *	8/2007	Fineide	D11/5	9,235,994	B1 *	1/2016	Waltersdorf G09F 3/005
7,779,570	B2 *	8/2010	Riley	B42D 15/00 283/75	2003/0075918	A1 *	4/2003	Levine G09F 3/0288 283/81
8,028,450	B2 *	10/2011	Landsman	G09F 3/005 40/633	2005/0091896	A1 *	5/2005	Kotik G06F 19/323 40/633
8,117,777	B2 *	2/2012	Chadwick	G09F 3/005 40/633	2005/0279001	A1 *	12/2005	Riley B42D 15/00 40/633
						2006/0230661	A1 *	10/2006	Bekker G09F 3/005 40/633
						2009/0171788	A1 *	7/2009	Tropper A61B 5/1118 705/14.61
						2012/0037302	A1 *	2/2012	Valenti, Jr. B32B 3/10 156/234
						2013/0266685	A1 *	10/2013	Santiago A23L 1/22 426/2

* cited by examiner

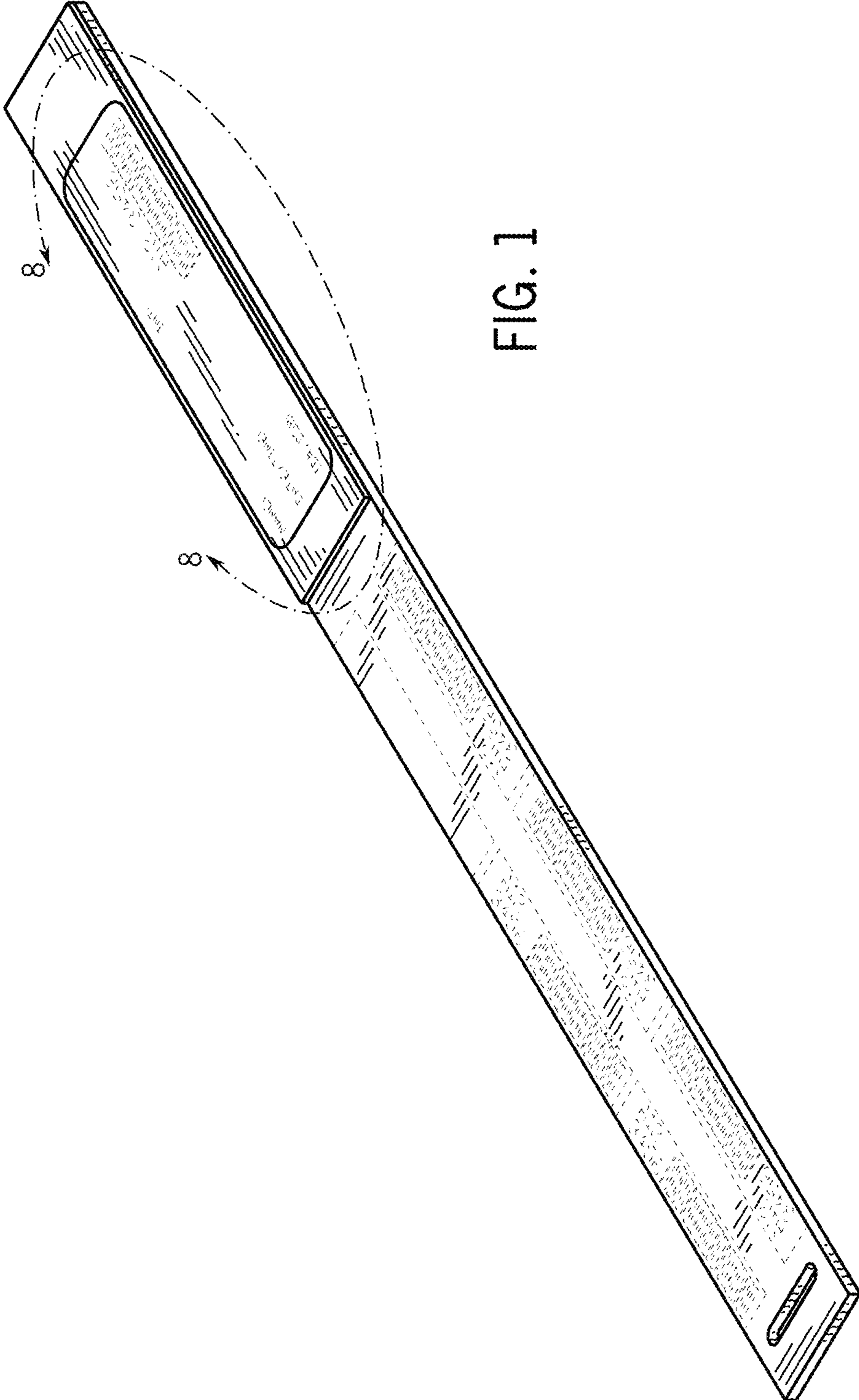


FIG. 1

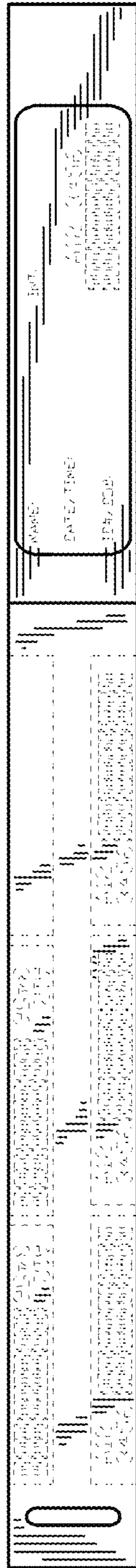


FIG. 2

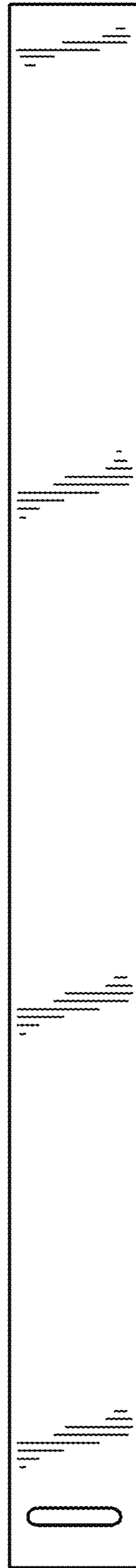


FIG. 3

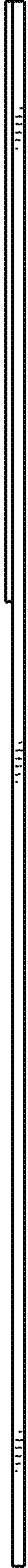


FIG. 4



FIG. 5



FIG. 6

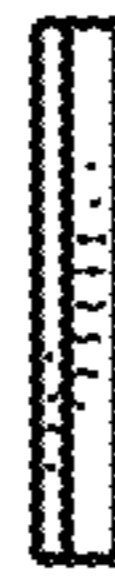


FIG. 7

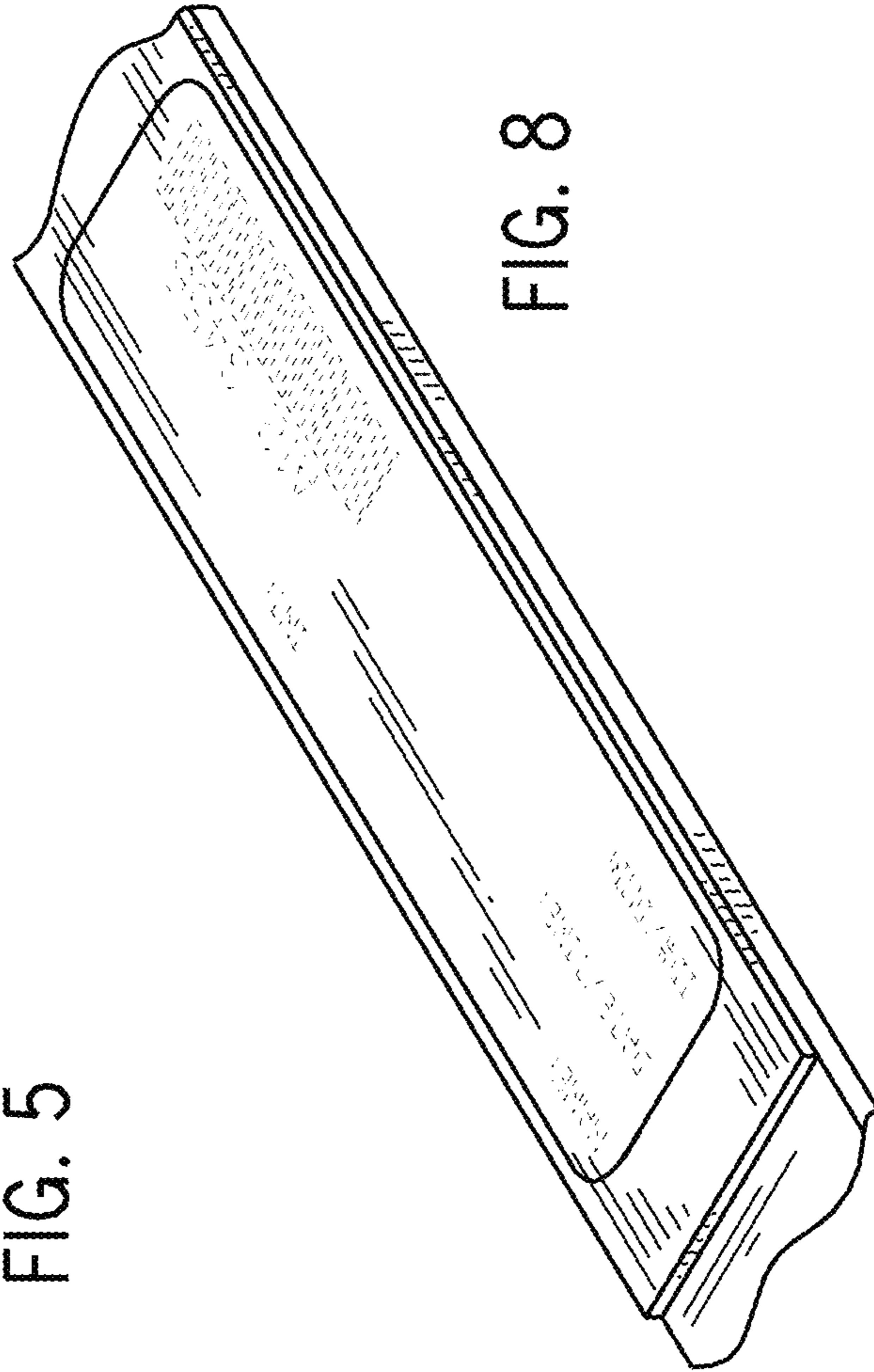


FIG. 8

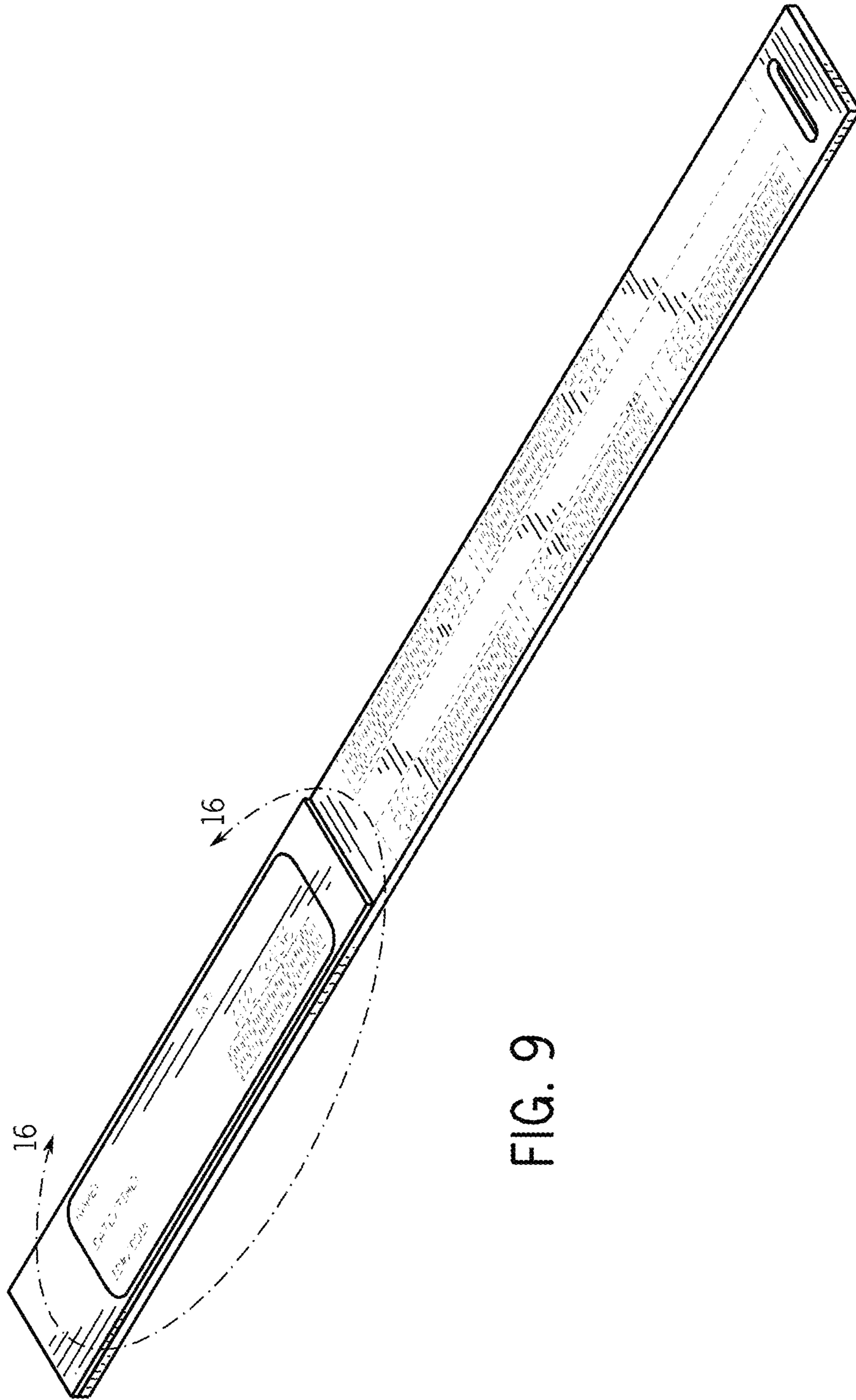


FIG. 9



FIG. 12



FIG. 13

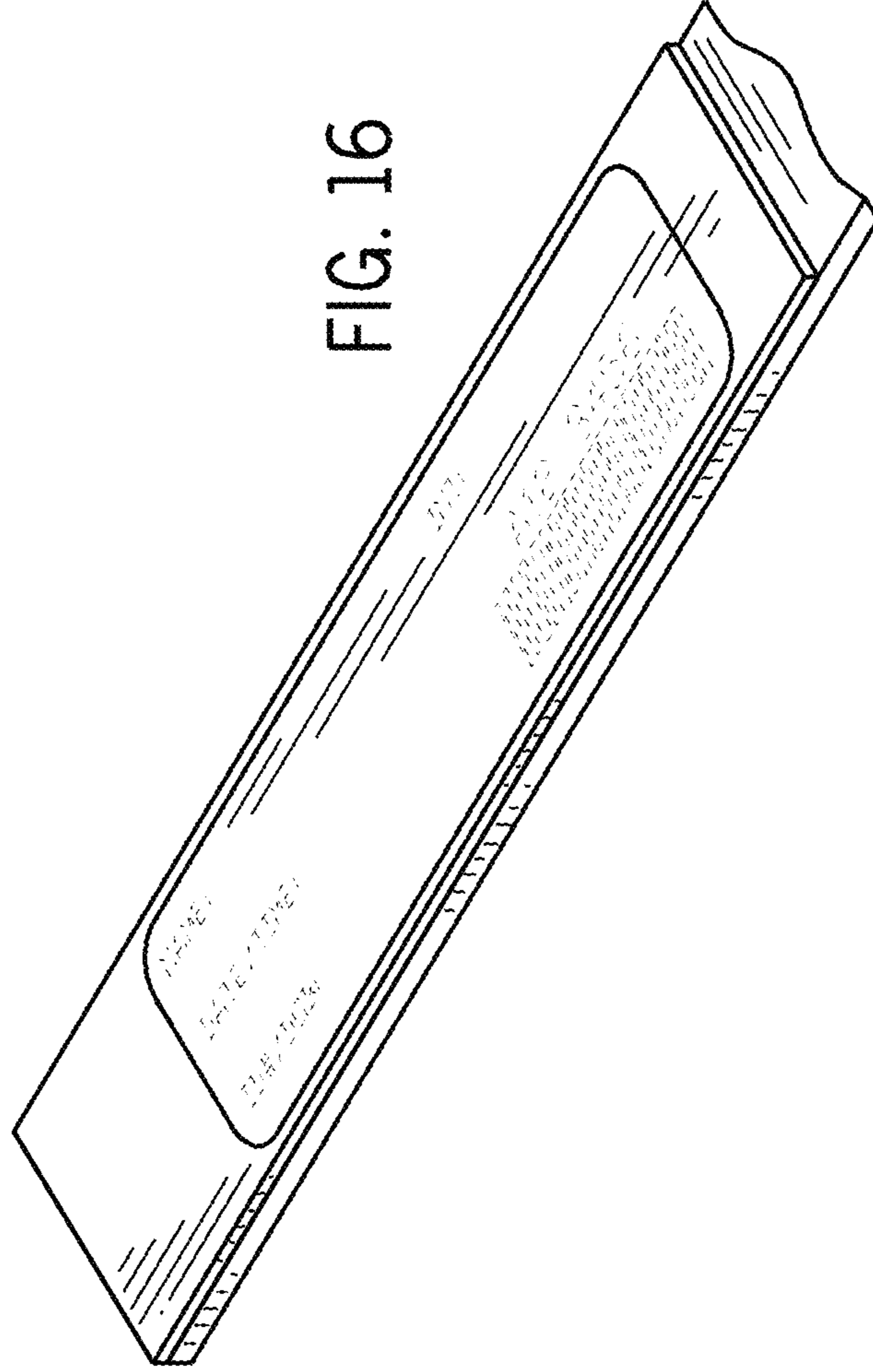


FIG. 16

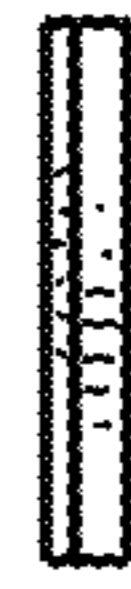


FIG. 14

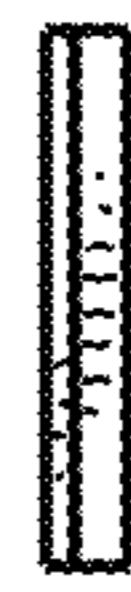


FIG. 15