



US00D762261S

(12) **United States Design Patent**  
**Takagiwa**

(10) **Patent No.:** **US D762,261 S**  
(45) **Date of Patent:** **\*\* Jul. 26, 2016**

(54) **INK CARTRIDGE**  
(71) Applicant: **BROTHER INDUSTRIES, LTD.**,  
Nagoya-shi, Aichi-ken (JP)  
(72) Inventor: **Yutaka Takagiwa**, Kariya (JP)  
(73) Assignee: **BROTHER INDUSTRIES, LTD.**,  
Nagoya (JP)  
(\*\*) Term: **14 Years**  
(21) Appl. No.: **29/520,248**  
(22) Filed: **Mar. 12, 2015**  
(51) **LOC (10) Cl.** ..... **18-02**  
(52) **U.S. Cl.**  
USPC ..... **D18/56**  
(58) **Field of Classification Search**  
USPC ..... D18/12, 18, 34.9, 40, 43, 50, 56, 59,  
D18/99; D14/471, 483  
CPC ..... B41J 2/17; B41J 2/1721; B41J 2/175;  
B41J 2/17503; B41J 2/17513; B41J 2/1752;  
B41J 2/17523; B41J 2/17553; B41J 2/17556;  
B41J 2/185; B41J 29/377  
See application file for complete search history.

2002/0126187 A1\* 9/2002 Ison ..... B41J 2/17563  
347/93  
2012/0327146 A1\* 12/2012 Mizuno ..... B41J 2/17513  
347/7  
2015/0273841 A1\* 10/2015 Takagiwa ..... B41J 2/17513  
347/86

**FOREIGN PATENT DOCUMENTS**

JP 1511497 \* 11/2015

\* cited by examiner

*Primary Examiner* — Thomas Johannes  
*Assistant Examiner* — Shawn T Gingrich  
(74) *Attorney, Agent, or Firm* — Oliff PLC

(57) **CLAIM**

The ornamental design for an ink cartridge, as shown and described.

**DESCRIPTION**

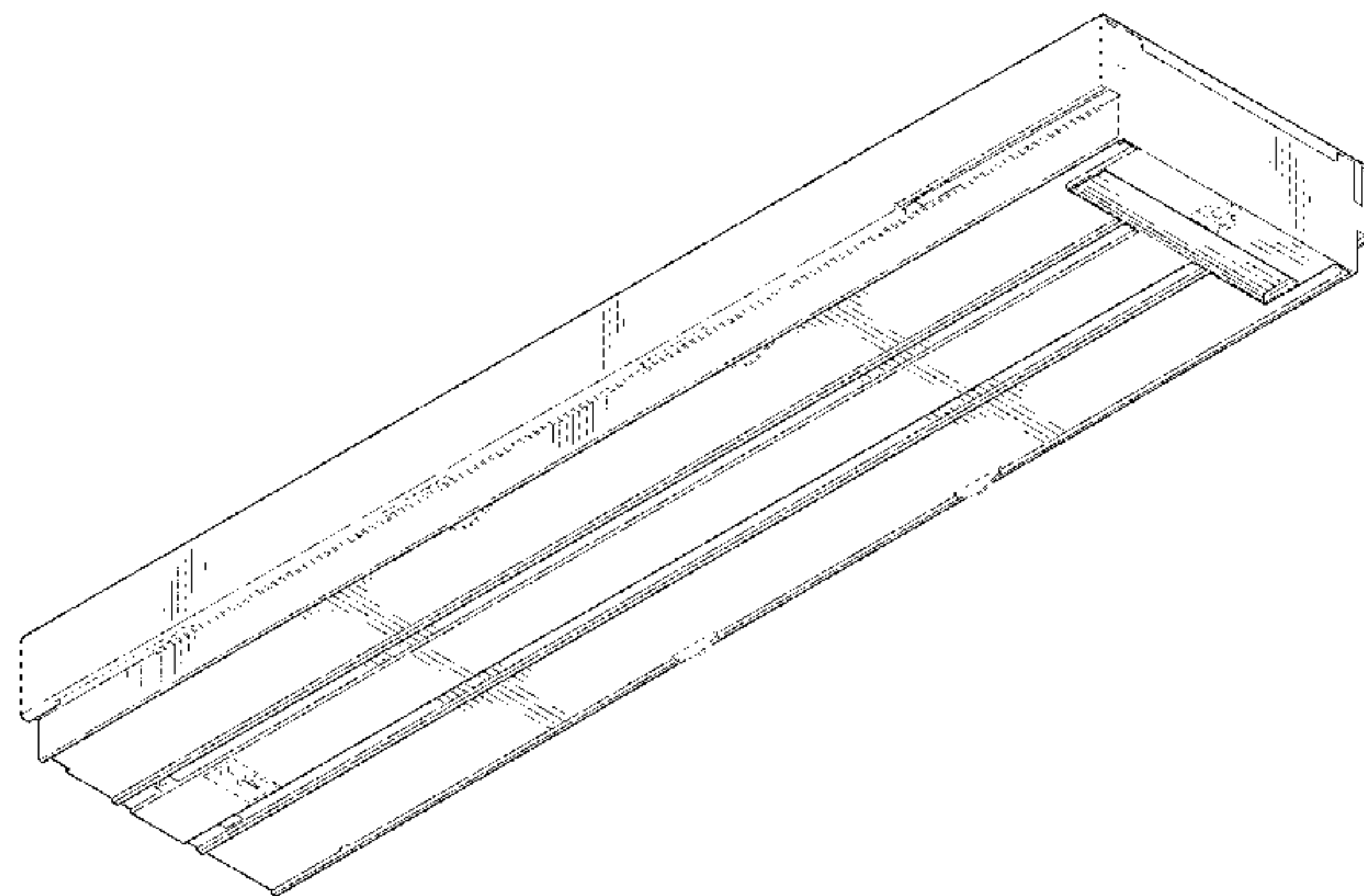
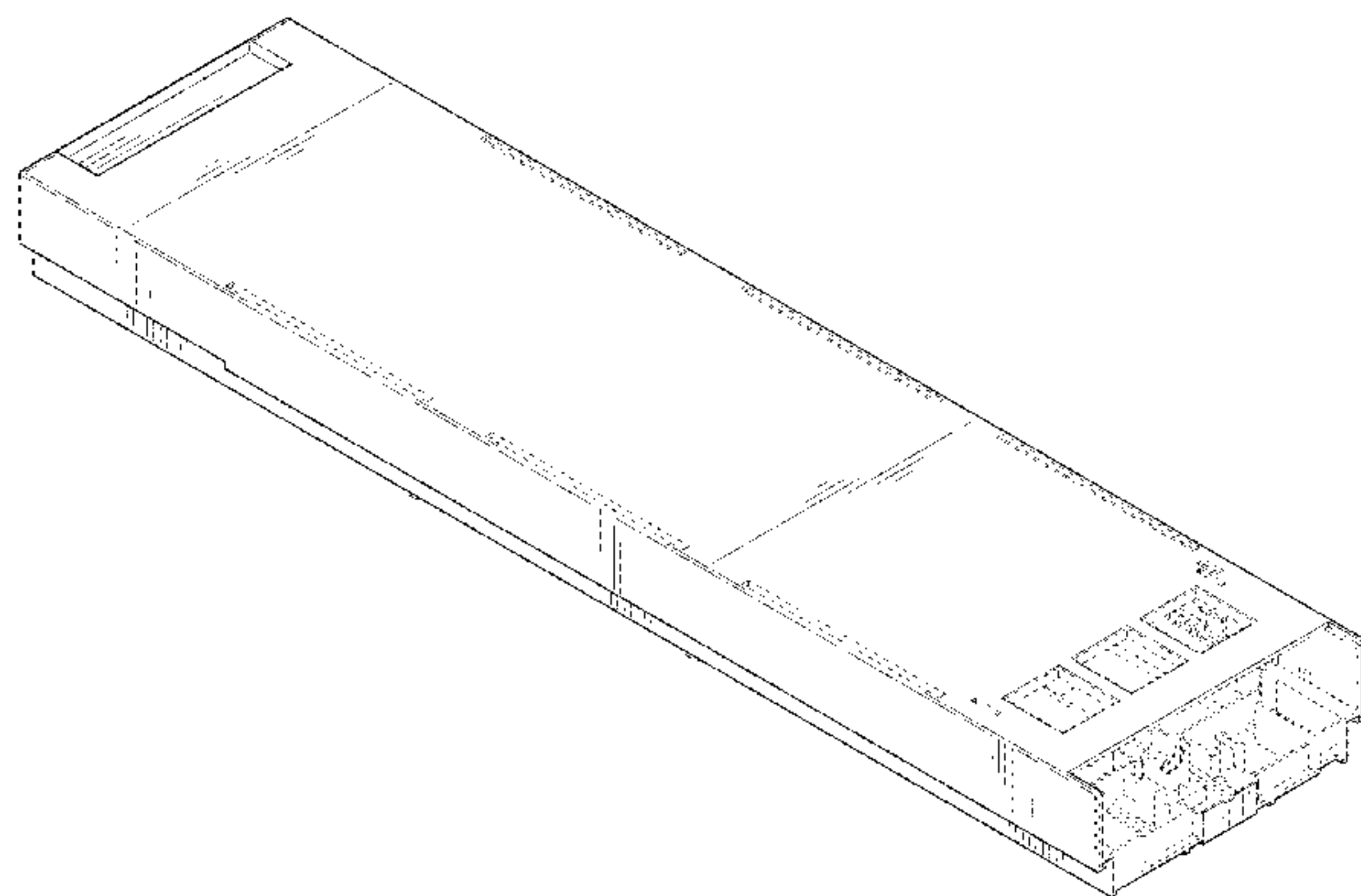
FIG. 1 is a top, front, right-side perspective view of an ink cartridge;  
FIG. 2 is a top view thereof;  
FIG. 3 is a front view thereof;  
FIG. 4 is a right-side view thereof;  
FIG. 5 is a left-side view thereof;  
FIG. 6 is a rear view thereof;  
FIG. 7 is a bottom view thereof;  
FIG. 8 is a cross-sectional view taken along line 8-8 in FIG. 4;  
FIG. 9 is a cross-sectional view taken along line 9-9 in FIG. 3;  
and,  
FIG. 10 is a bottom, rear, left-side perspective view thereof.  
The broken lines depict unclaimed portions only and form no part of the claimed design.

(56) **References Cited**

**U.S. PATENT DOCUMENTS**

D423,043 S \* 4/2000 Ishigami ..... 347/86  
D490,846 S \* 6/2004 Suzuki ..... D18/56  
6,866,374 B2 \* 3/2005 Taku ..... B41J 2/16523  
347/31  
D581,975 S \* 12/2008 Park ..... D18/43  
D586,849 S \* 2/2009 Nozawa ..... 347/86  
D591,791 S \* 5/2009 Matsumoto ..... 347/86  
D592,241 S \* 5/2009 Nozawa ..... 347/86  
D655,332 S \* 3/2012 Fujii ..... D18/43  
8,646,890 B1 \* 2/2014 Lu ..... B41J 2/17513  
347/86  
D715,768 S \* 10/2014 Ryu ..... D14/211

**1 Claim, 6 Drawing Sheets**



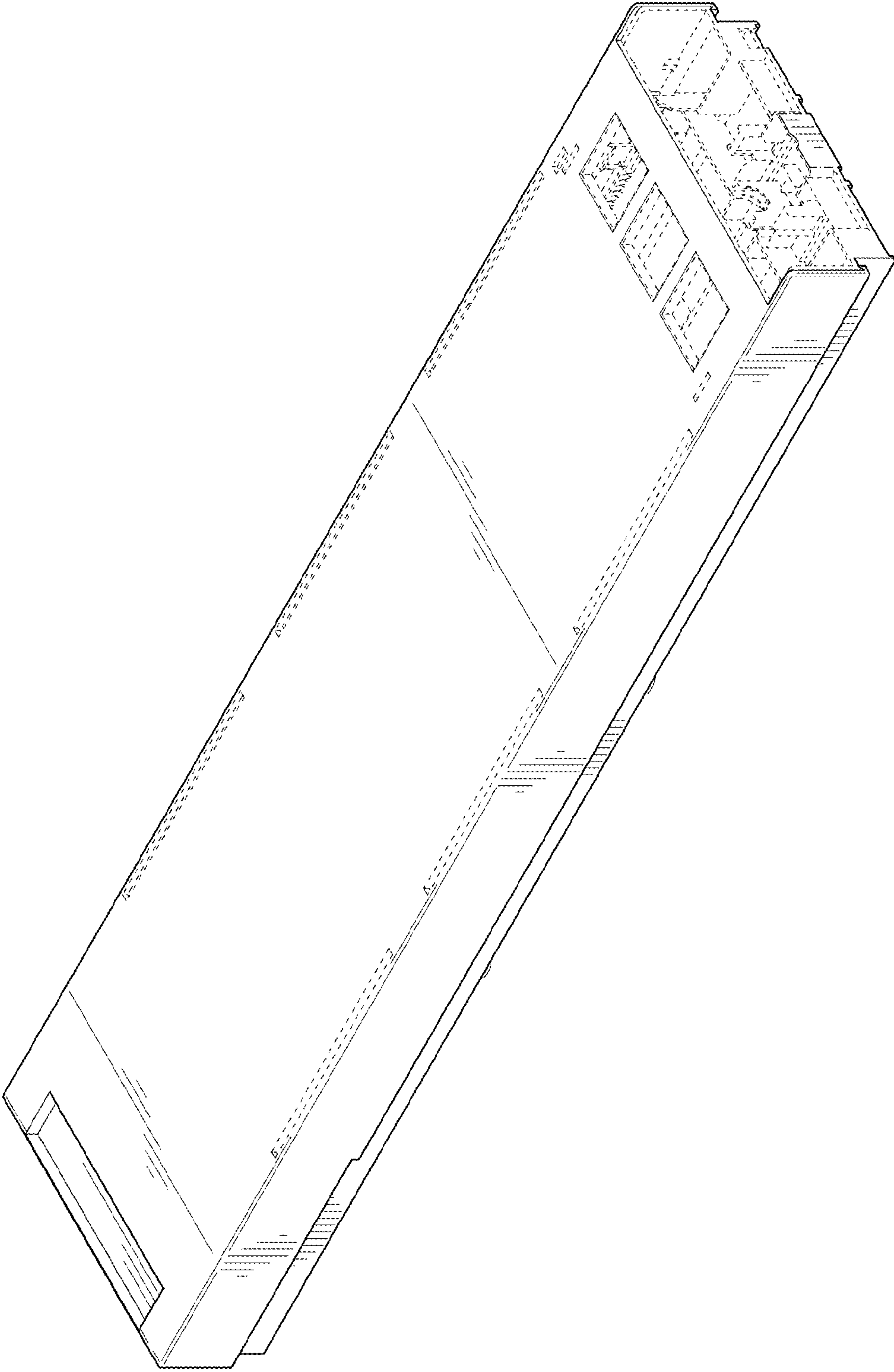


FIG. 1

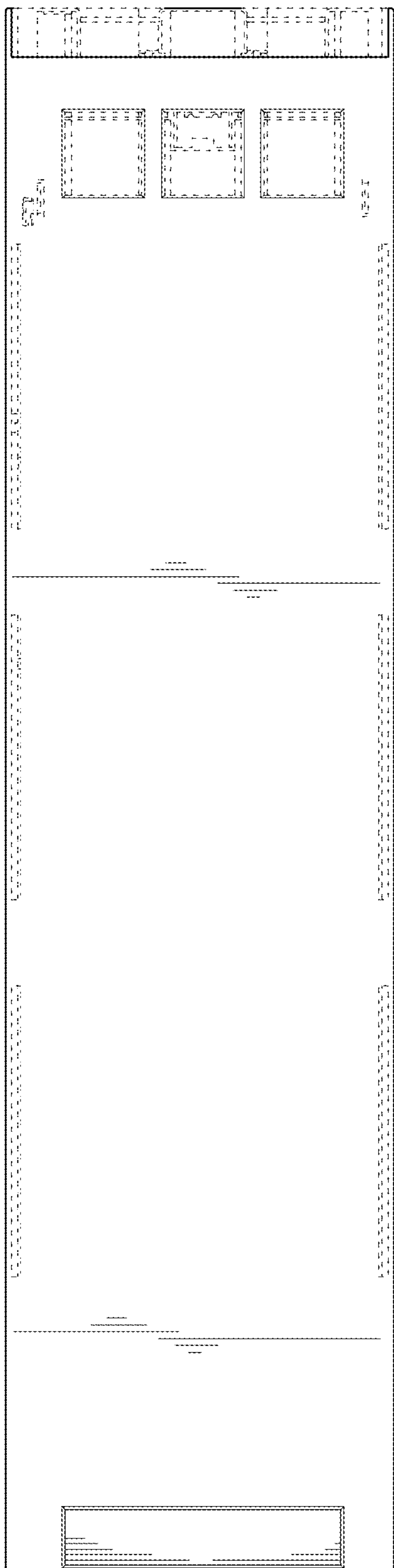


FIG. 2

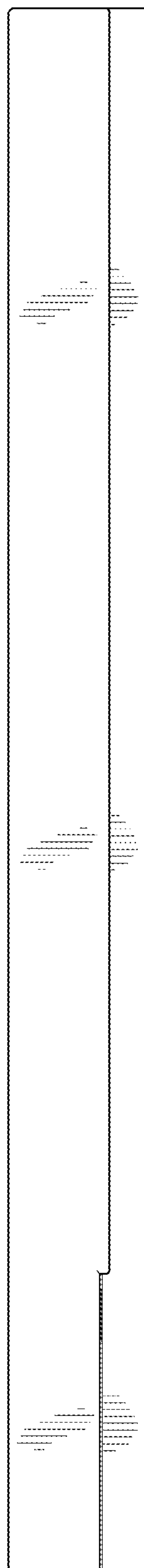
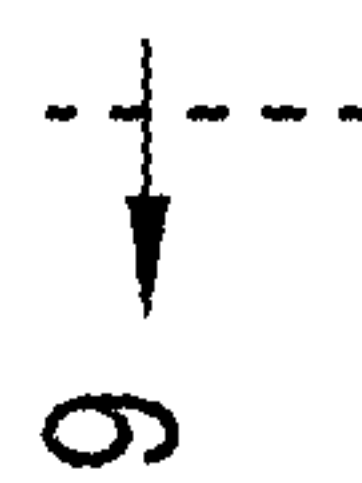


FIG. 3



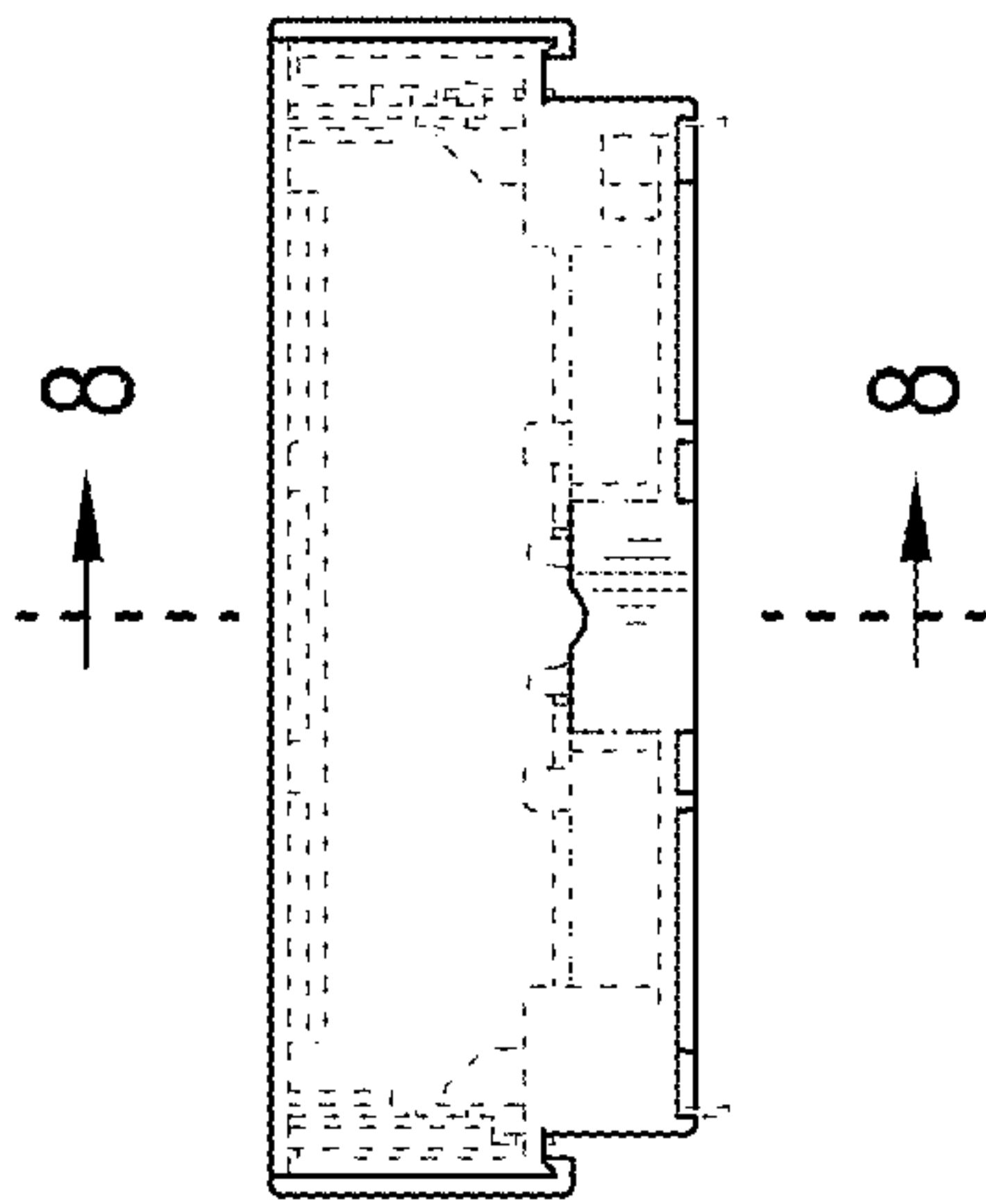


FIG. 4

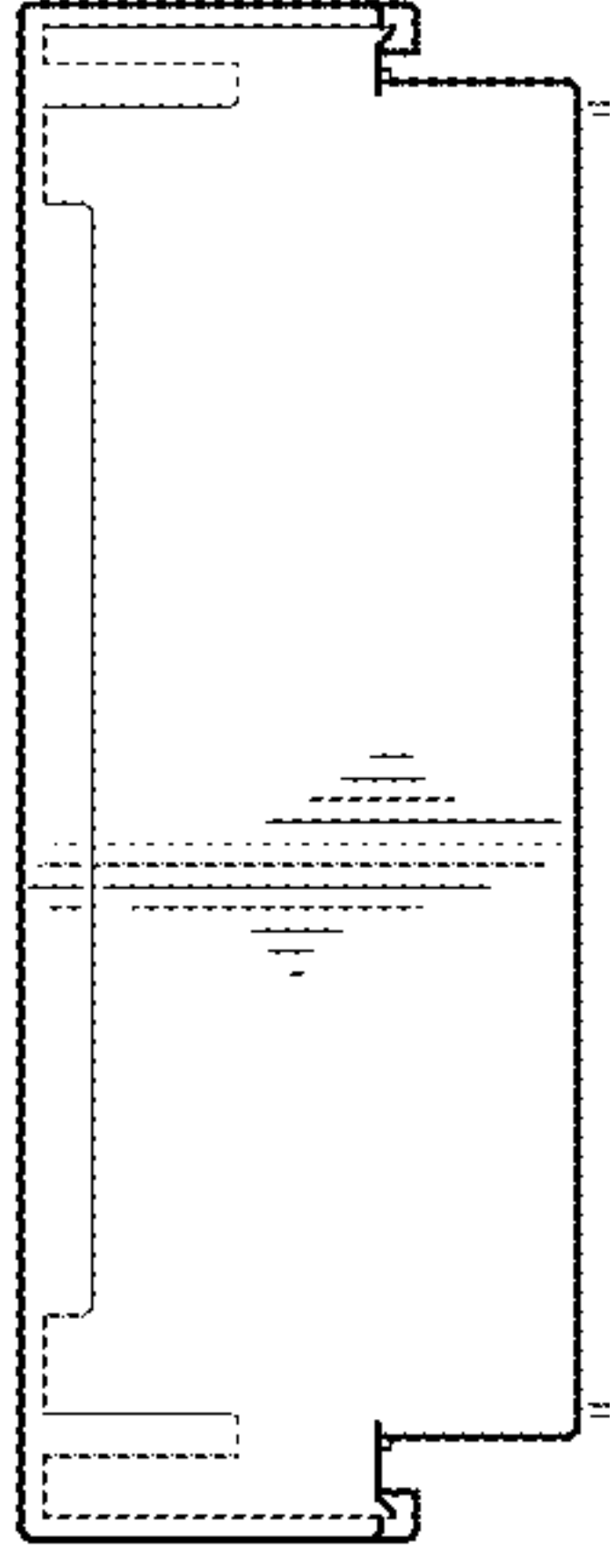


FIG. 5

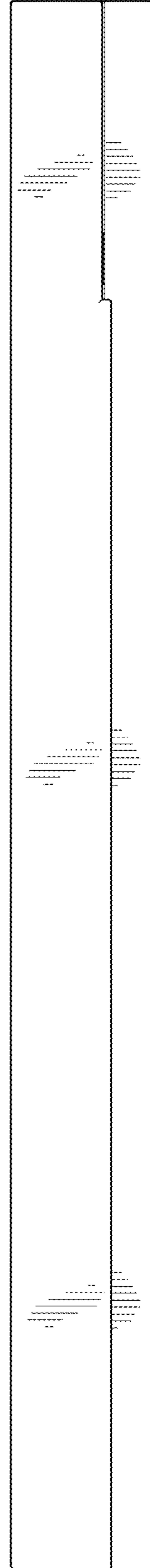


FIG. 6

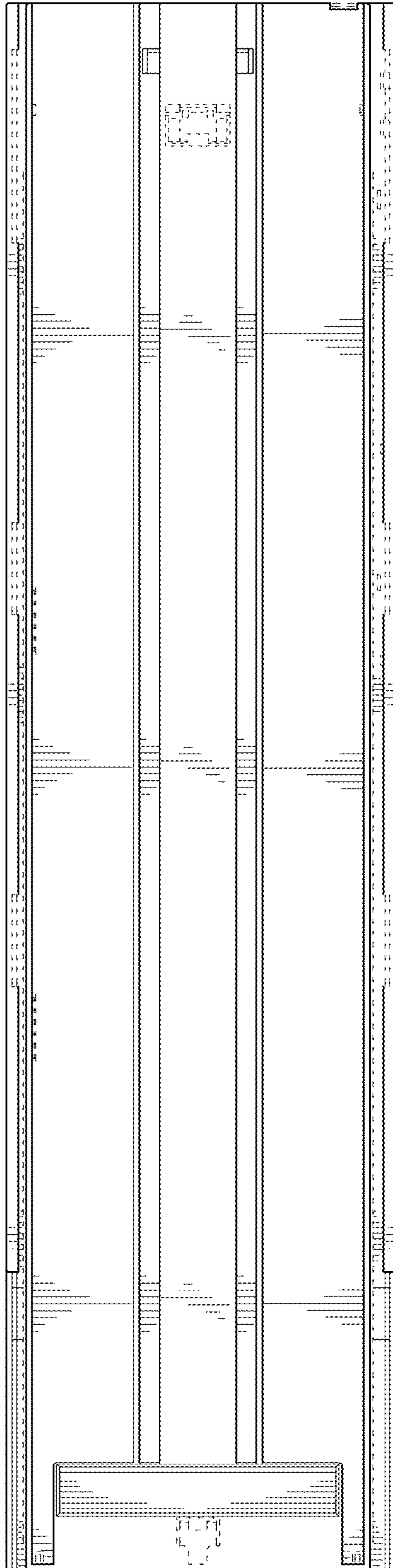


FIG. 7



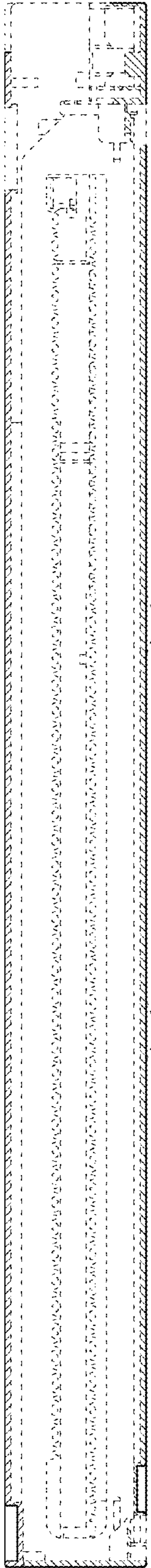


FIG. 8

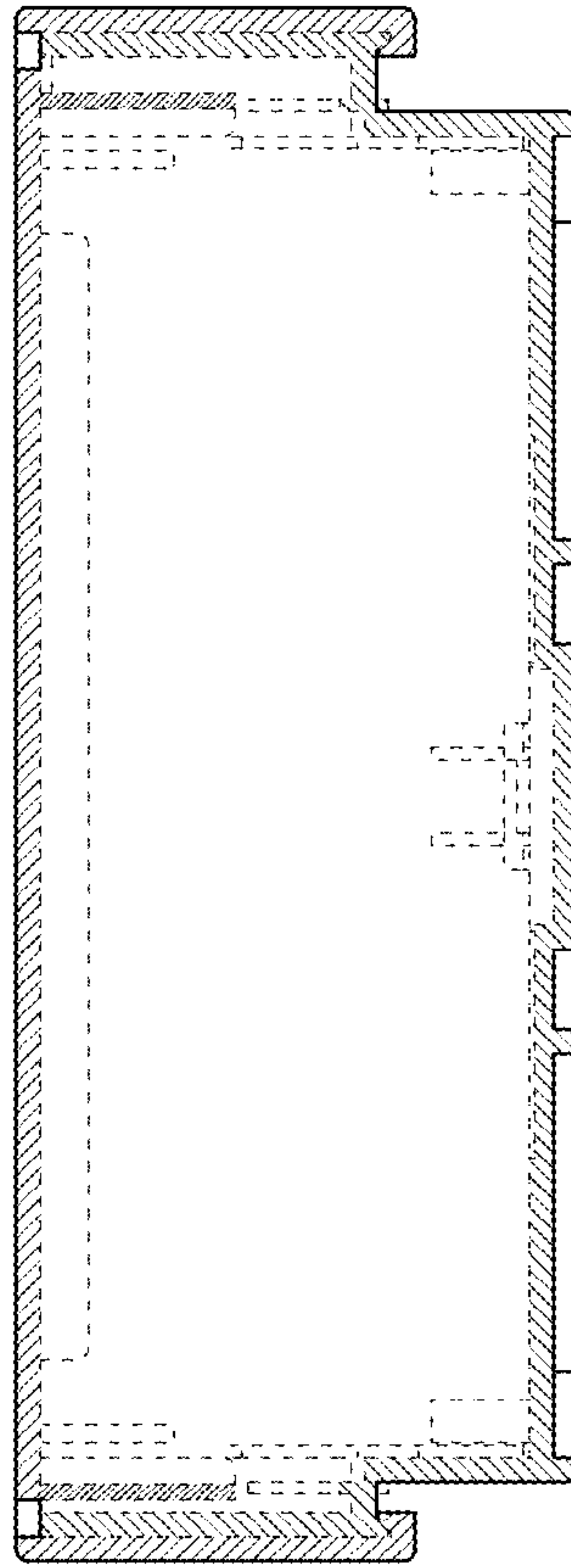


FIG. 9

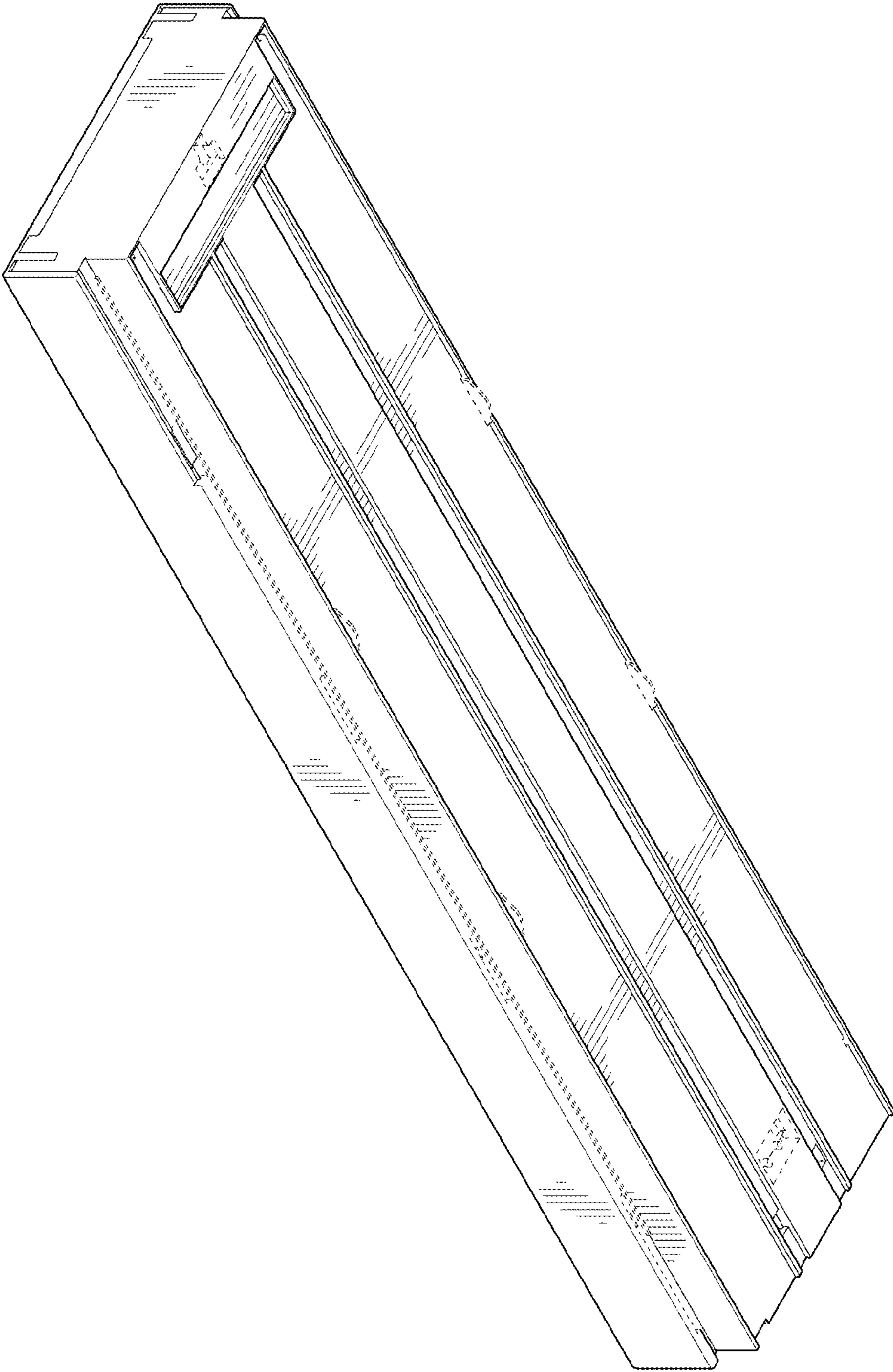


FIG. 10