



US00D762260S

(12) **United States Design Patent**  
**Oya et al.**

(10) **Patent No.:** **US D762,260 S**  
(45) **Date of Patent:** **\*\* Jul. 26, 2016**

(54) **INK CARTRIDGE**

(71) Applicant: **SEIKO EPSON CORPORATION**,  
Tokyo (JP)

(72) Inventors: **Shun Oya**, Matsumoto (JP); **Atsushi Kobayashi**, Matsumoto (JP); **Tadahiro Mizutani**, Shiojiri (JP)

(73) Assignee: **SEIKO EPSON CORPORATION**,  
Tokyo (JP)

(\*\*) Term: **14 Years**

(21) Appl. No.: **29/507,553**

(22) Filed: **Oct. 29, 2014**

(30) **Foreign Application Priority Data**

Jun. 11, 2014 (JP) ..... 2014-012625

(51) **LOC (10) Cl.** ..... **18-02**

(52) **U.S. Cl.**  
USPC ..... **D18/56**

(58) **Field of Classification Search**  
USPC ..... D18/12, 18, 34.9, 40, 43, 50, 56, 59,  
D18/99; D14/471, 483  
CPC ..... B41J 2/17; B41J 2/1721; B41J 2/175;  
B41J 2/17503; B41J 2/17513; B41J 2/1752;  
B41J 2/17523; B41J 2/17553; B41J 2/17556;  
B41J 2/185; B41J 29/377

See application file for complete search history.

(56) **References Cited**

**U.S. PATENT DOCUMENTS**

D438,896 S \* 3/2001 Shinada ..... 347/86  
D443,893 S \* 6/2001 Gonzales ..... 347/86

D454,908 S \* 3/2002 Seino ..... D18/56  
D455,780 S \* 4/2002 Seino ..... 347/86  
6,971,732 B1 \* 12/2005 Seshimo ..... B41J 2/17513  
347/19  
7,134,747 B2 \* 11/2006 Hayashi ..... B41J 2/17513  
347/49  
D650,418 S \* 12/2011 Butler ..... D18/56  
D650,419 S \* 12/2011 Butler ..... D18/56  
D692,947 S \* 11/2013 Nozawa ..... D18/56  
D696,718 S \* 12/2013 Murakami ..... D18/56  
D696,720 S \* 12/2013 Hayashi ..... D18/56  
2015/0165773 A1 \* 6/2015 Shiota ..... B41J 2/1752  
347/85  
2016/0016412 A1 \* 1/2016 Mizutani ..... B41J 2/17553  
347/86

\* cited by examiner

*Primary Examiner* — Thomas Johannes  
*Assistant Examiner* — Shawn T Gingrich

(57) **CLAIM**

The ornamental design for an ink cartridge, as shown and described.

**DESCRIPTION**

FIG. 1 is a front, bottom and right side perspective view of an ink cartridge showing our new design;  
FIG. 2 is a rear, top and left side perspective view thereof;  
FIG. 3 is a front view thereof;  
FIG. 4 is a rear view thereof;  
FIG. 5 is a top plan view thereof;  
FIG. 6 is a bottom plan view thereof;  
FIG. 7 is a right side view thereof; and,  
FIG. 8 is a left side view thereof.

The features shown in broken lines in the drawings depict portions of the article that form no part of the claimed design.

**1 Claim, 4 Drawing Sheets**

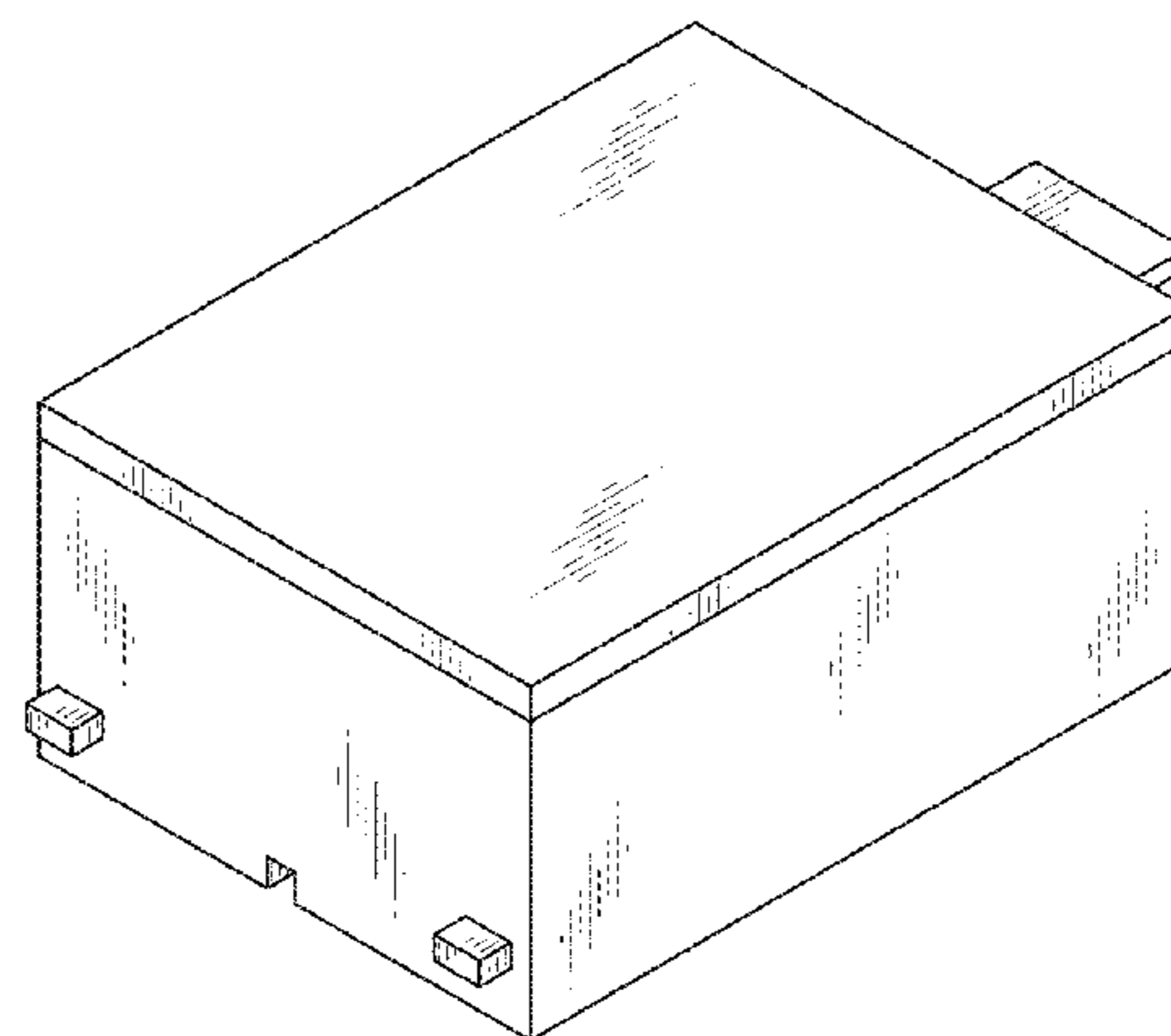
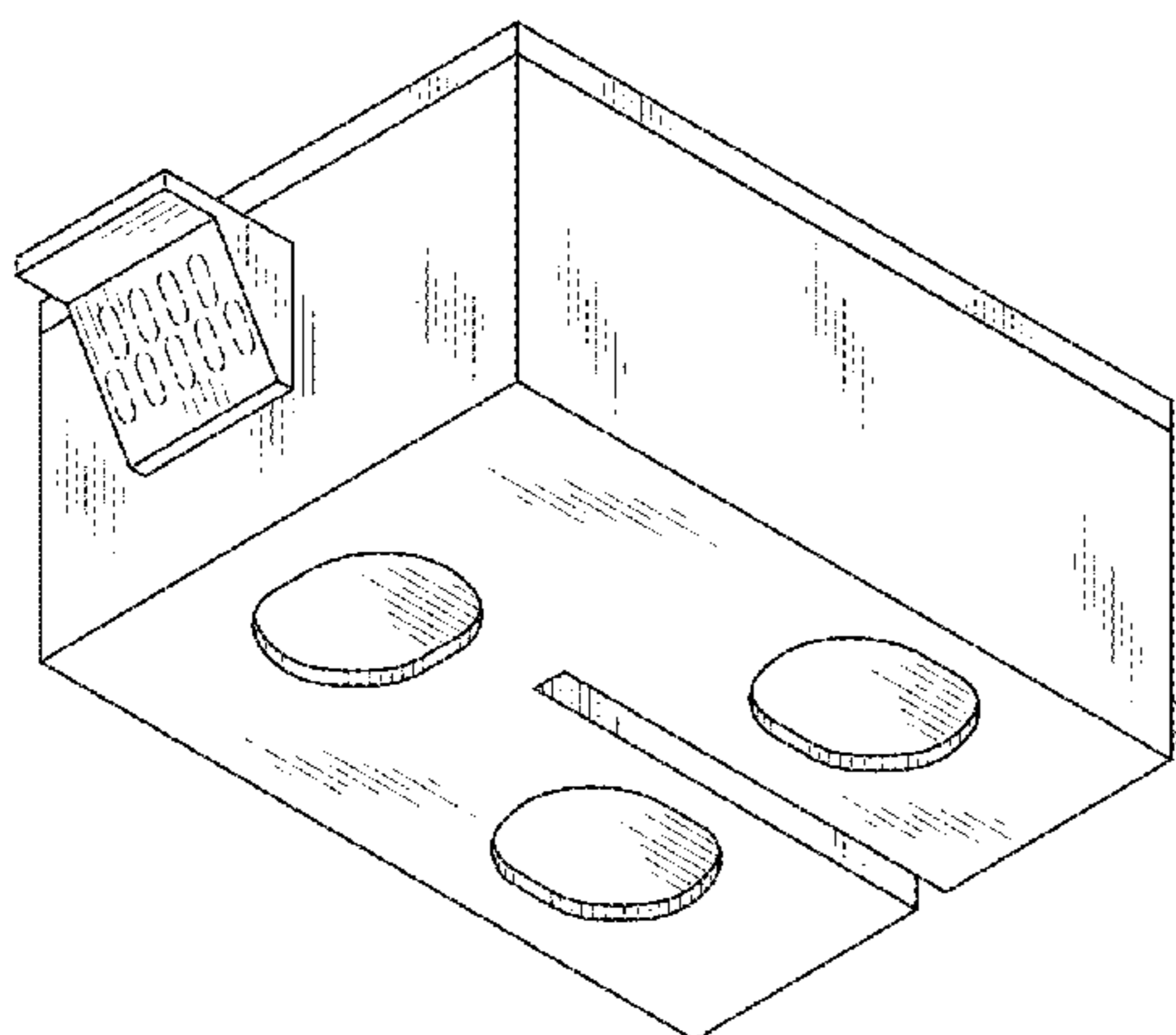


Fig.1

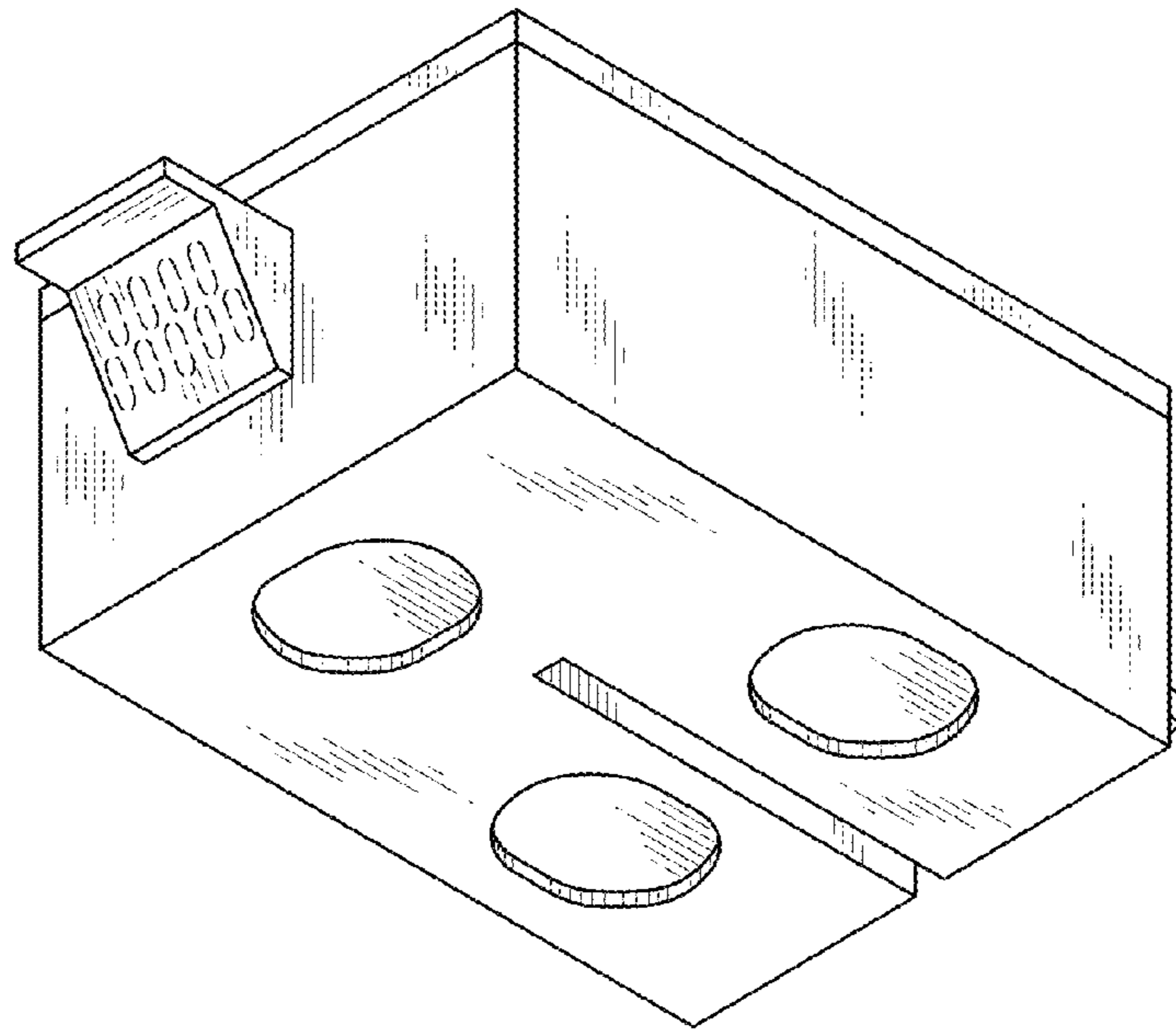


Fig.2

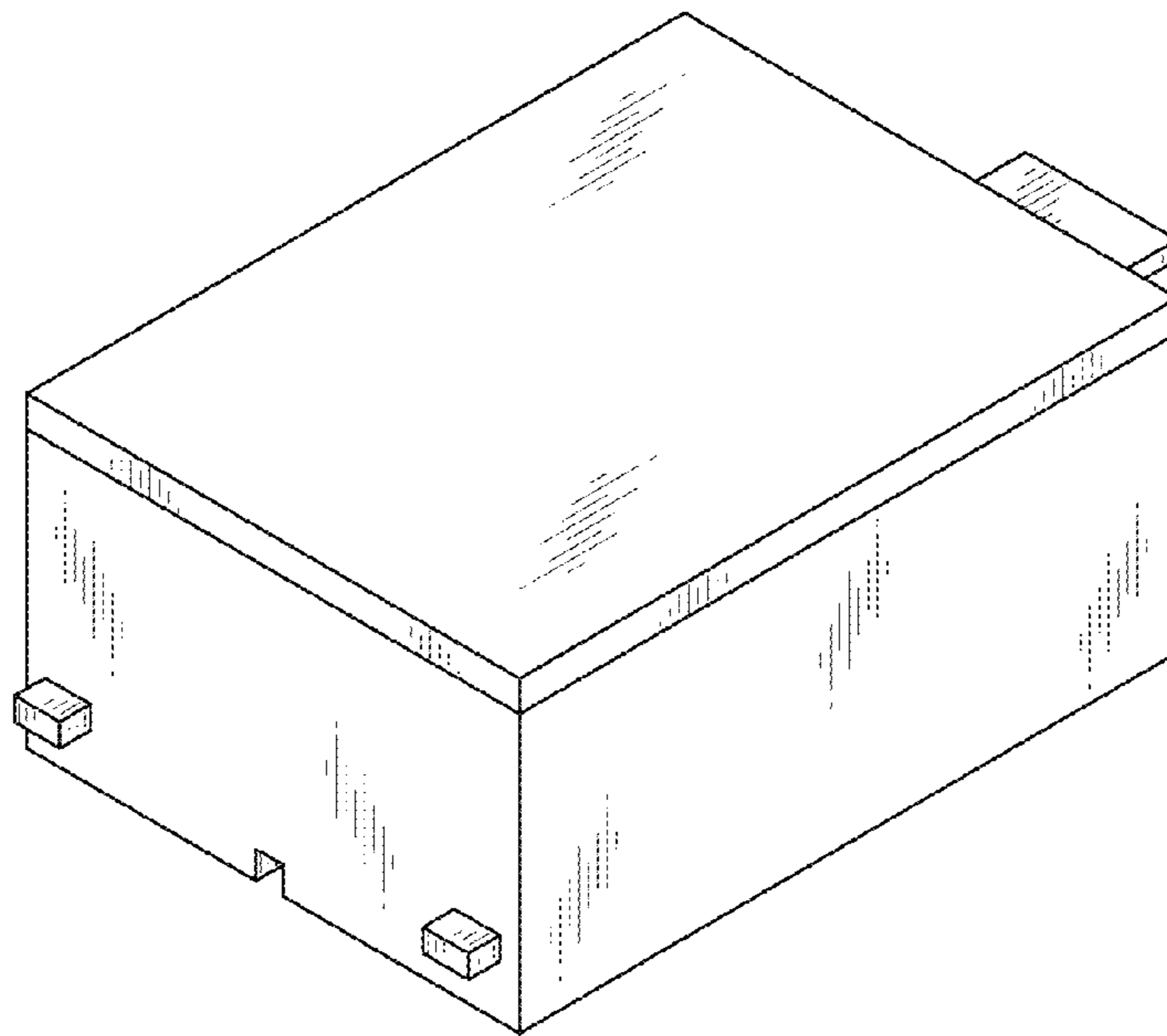


Fig.3

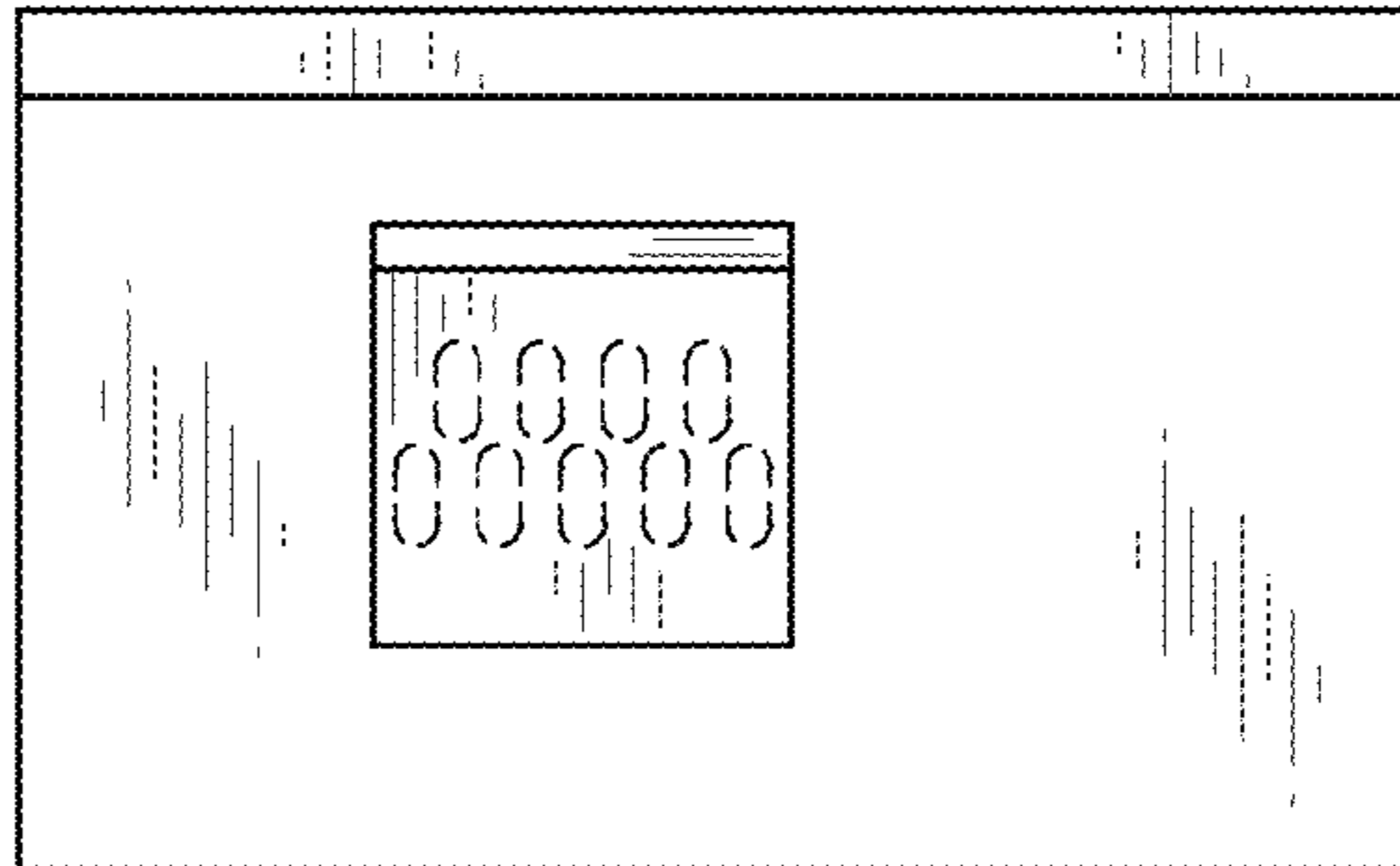


Fig.4

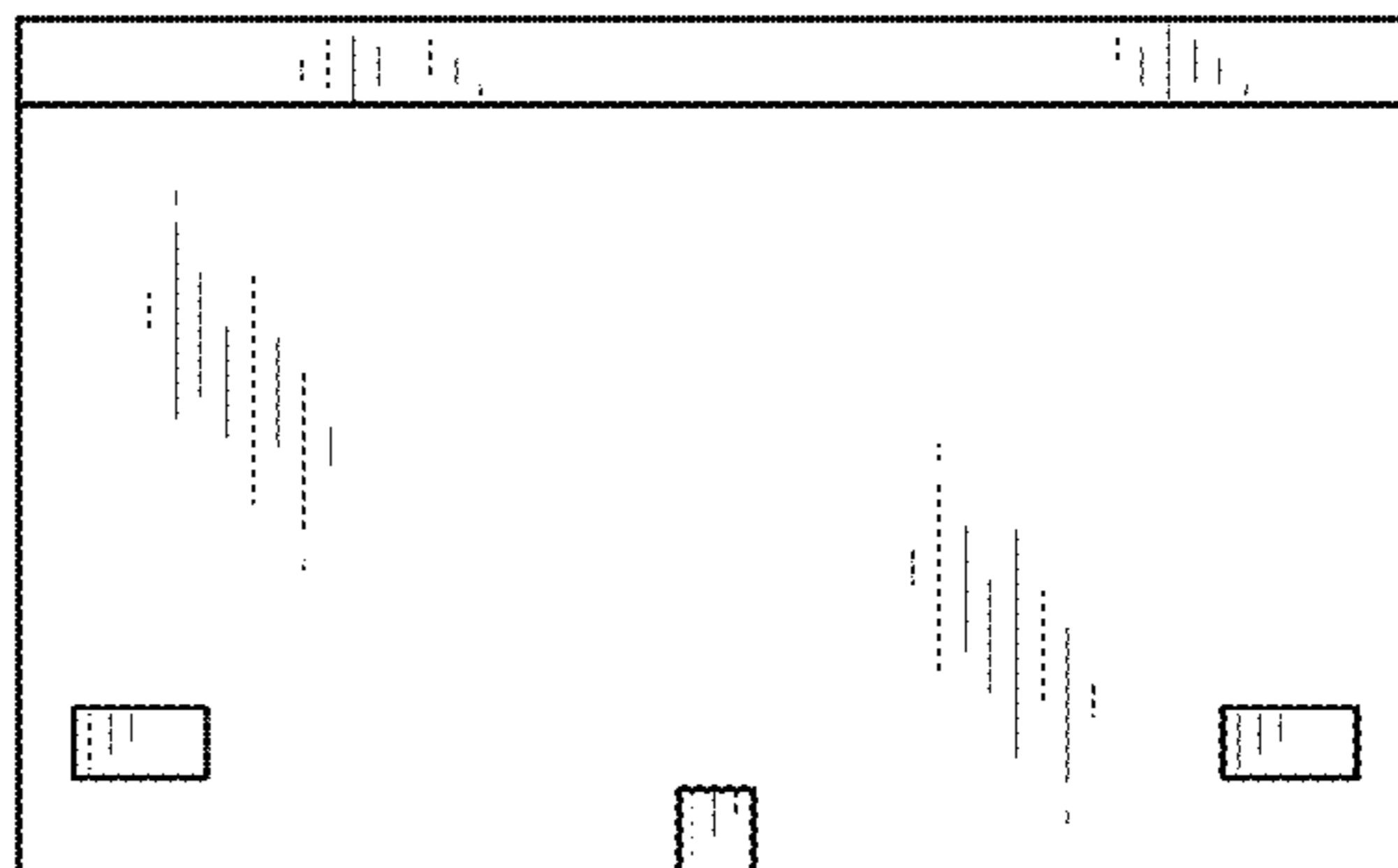


Fig.5

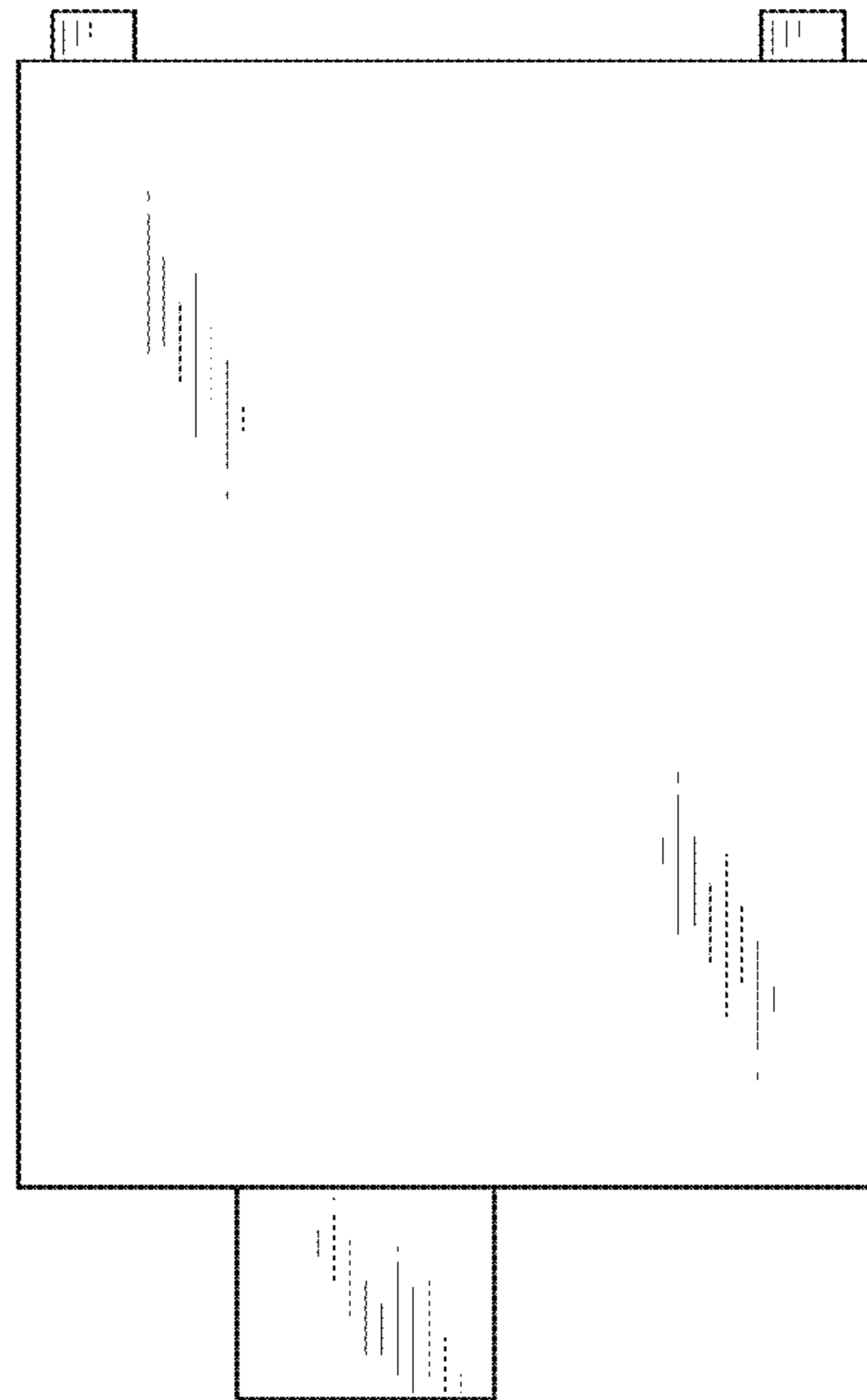


Fig.6

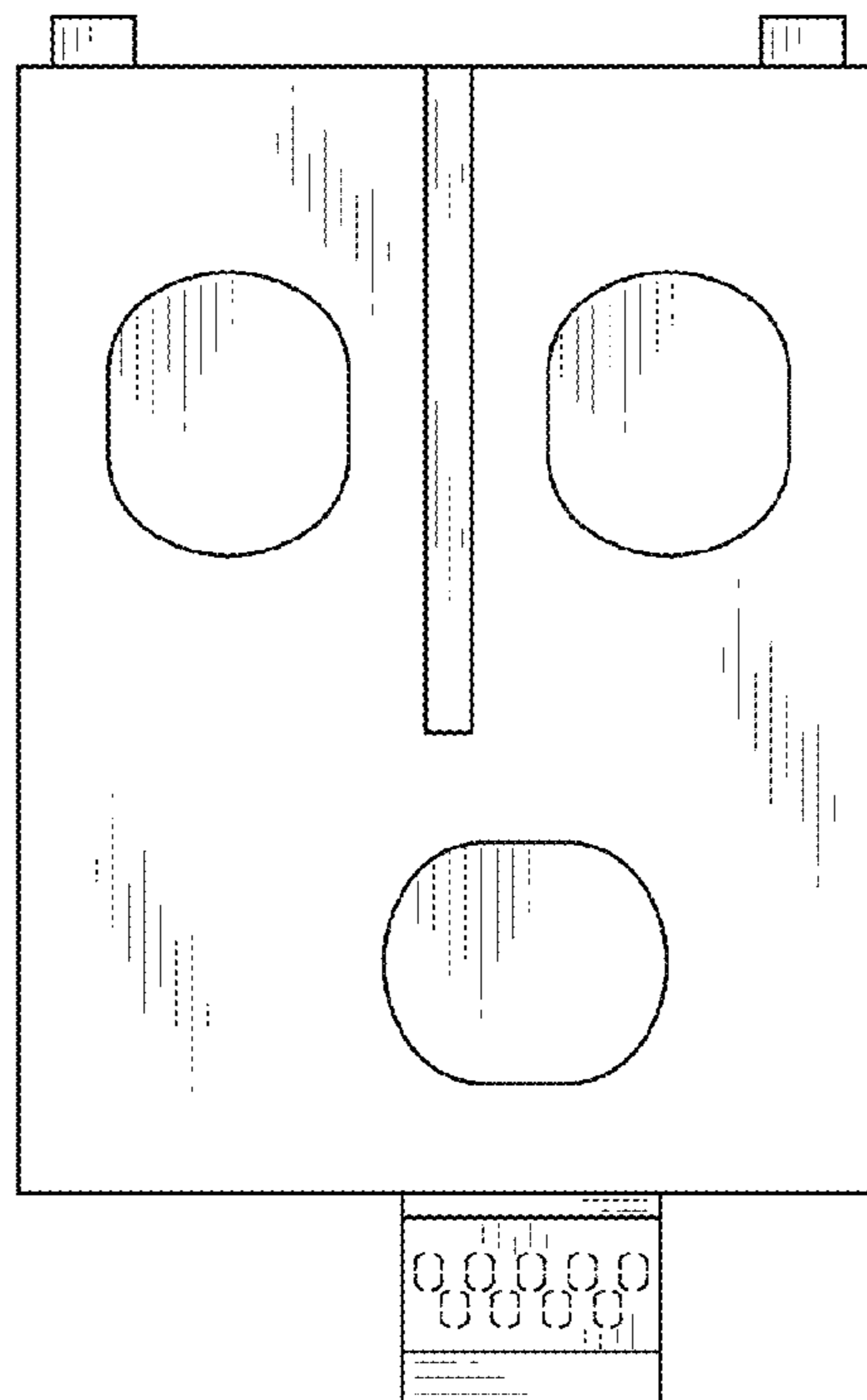


Fig.7

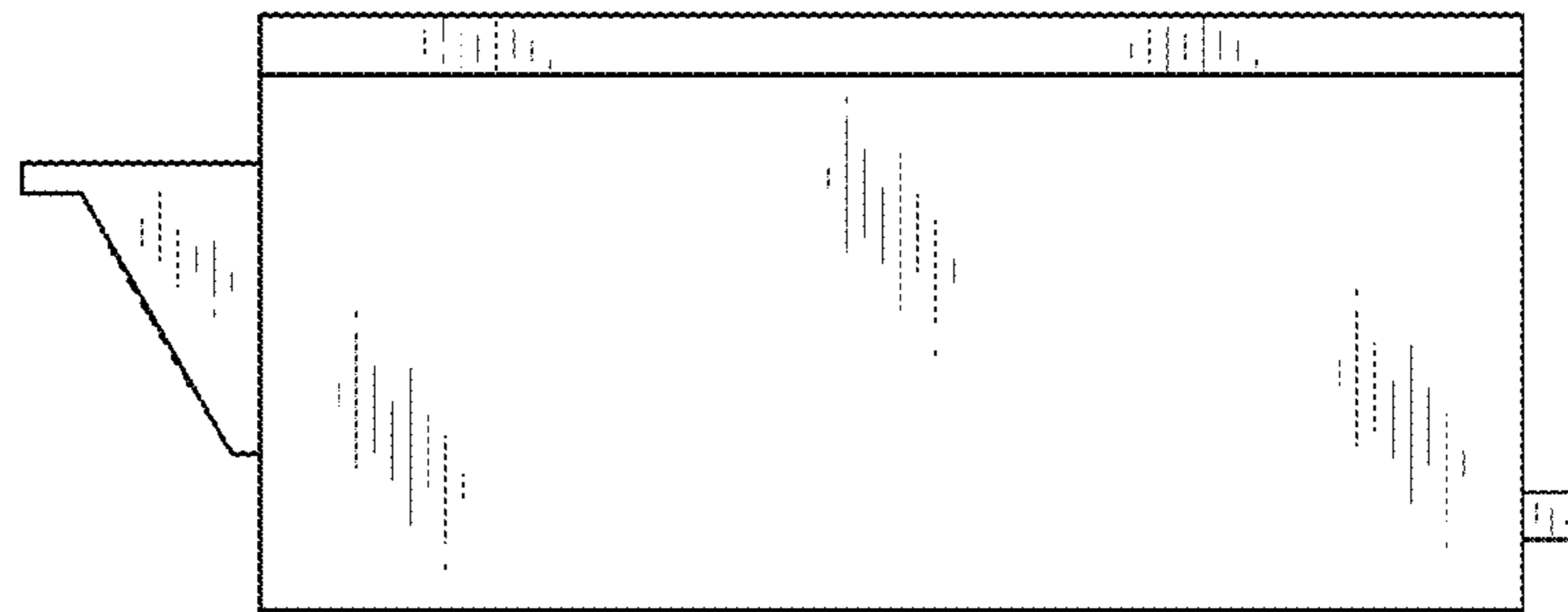


Fig.8

