



US00D762258S

(12) **United States Design Patent**
Jenkins

(10) **Patent No.:** **US D762,258 S**
(45) **Date of Patent:** **** Jul. 26, 2016**

(54) **CHECKOUT STATION**

(71) Applicant: **ORDERWITHME NEVADA INC**, Las Vegas, NV (US)

(72) Inventor: **Jonathan Jenkins**, Las Vegas, NV (US)

(**) Term: **14 Years**

(21) Appl. No.: **29/509,174**

(22) Filed: **Nov. 14, 2014**

(51) **LOC (10) CI.** **18-01**

(52) **U.S. Cl.**
USPC **D18/4.5**

(58) **Field of Classification Search**
USPC D18/4.4, 4.5, 4.6, 12, 12.1, 12.3, 14;
D14/383, 384, 385, 386, 378
CPC G06K 19/07749; G06K 19/0723;
G06K 19/041; G06K 19/07758; G06K
19/0775; G06K 19/07783; G06K 19/07794;
G06K 19/06046; G06K 19/07722; G06K
19/07773; G06K 19/07779; G06K 19/07784;
G06K 19/07786; G06K 19/0709; G06K
7/10178; G06K 7/10336; G06K 7/1096;
G06K 13/067; G06K 13/16; G06K 17/00;
G06K 17/0006; G06K 17/0022; G06K
17/0025; G06K 19/02; G06K 19/06; G06K
19/06028; G06K 19/0614; G06K 19/06206;
G06K 19/067

See application file for complete search history.

(56) **References Cited**

U.S. PATENT DOCUMENTS

D735,802	S	*	8/2015	Lyons	D18/4.5
D741,853	S	*	10/2015	Barron	D14/336
D746,902	S	*	1/2016	Lyons	D18/4.5
D747,763	S	*	1/2016	Haller	D18/4.5

* cited by examiner

Primary Examiner — Daniel Bui

Assistant Examiner — Khawaja Anwar

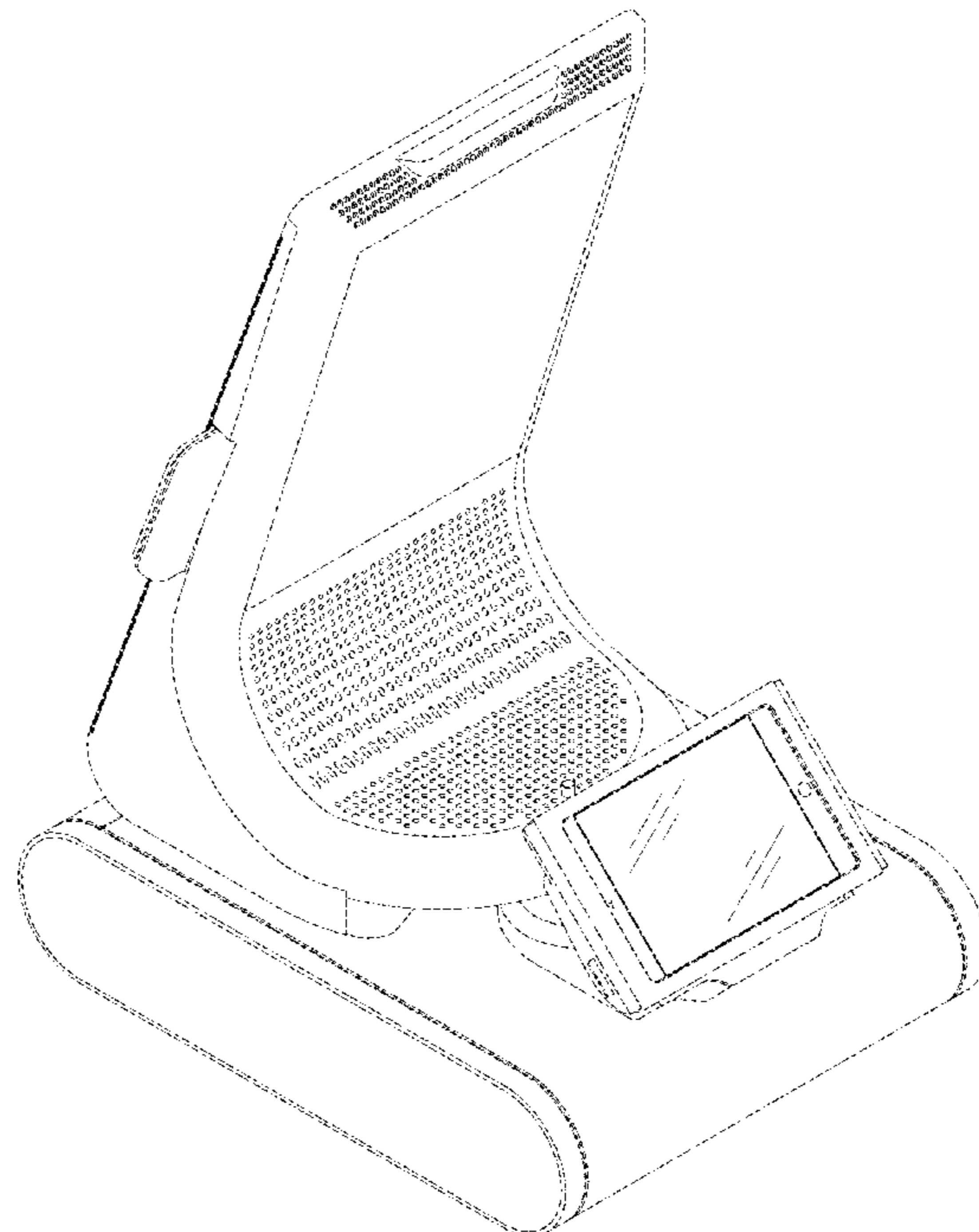
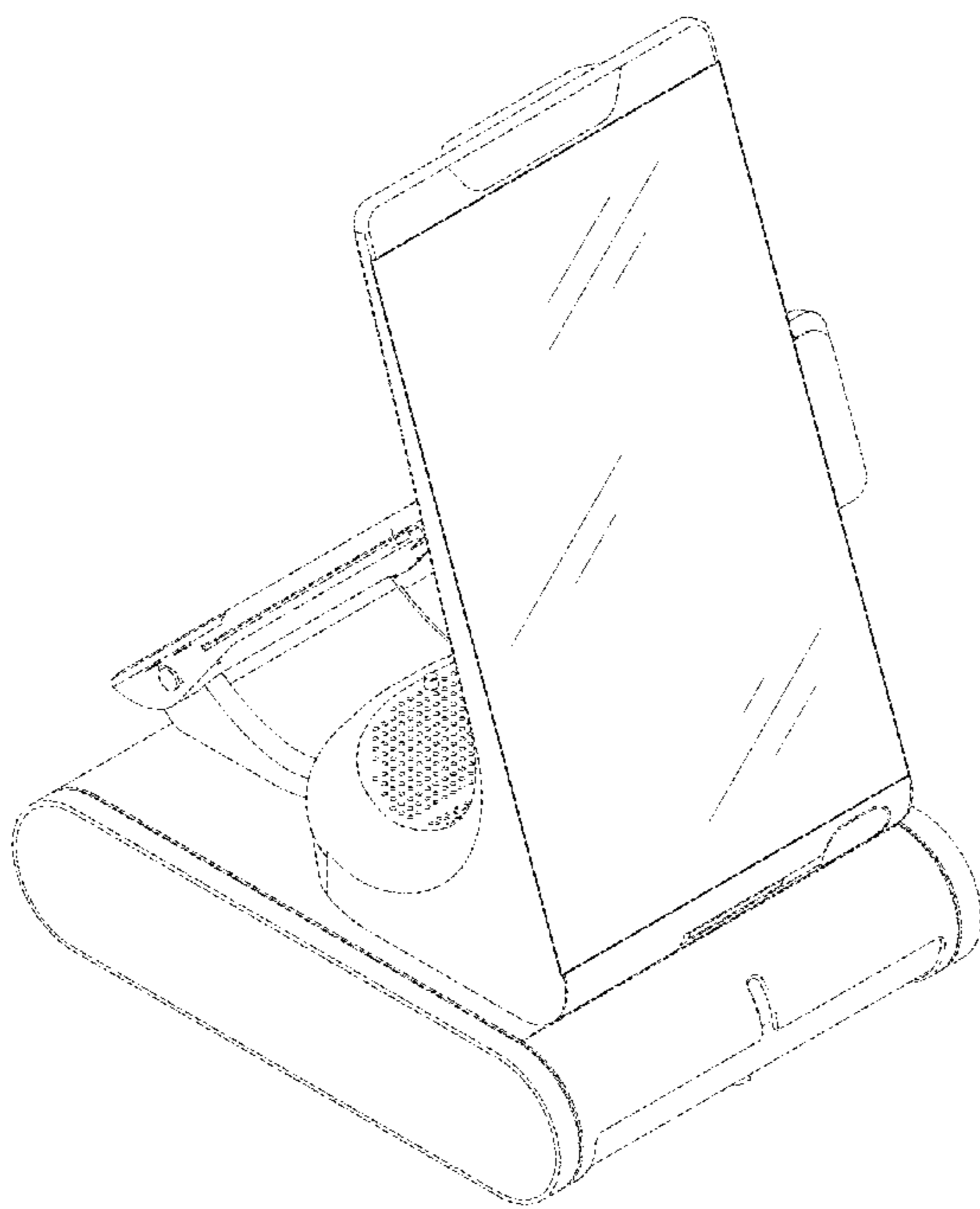
(57) **CLAIM**

The ornamental design for a checkout station, as shown and described.

DESCRIPTION

FIG. 1 is a front perspective view of a checkout station showing my new design;
FIG. 2 is rear perspective view thereof;
FIG. 3 is a front elevation view thereof;
FIG. 4 is a rear elevation view thereof;
FIG. 5 is a side elevation view thereof;
FIG. 6 is another side elevation view thereof;
FIG. 7 is a top plan view thereof; and,
FIG. 8 is a bottom plan view thereof.
The broken line in the figure drawings represents unclaimed environment only and forms no part of the claimed design.

1 Claim, 8 Drawing Sheets



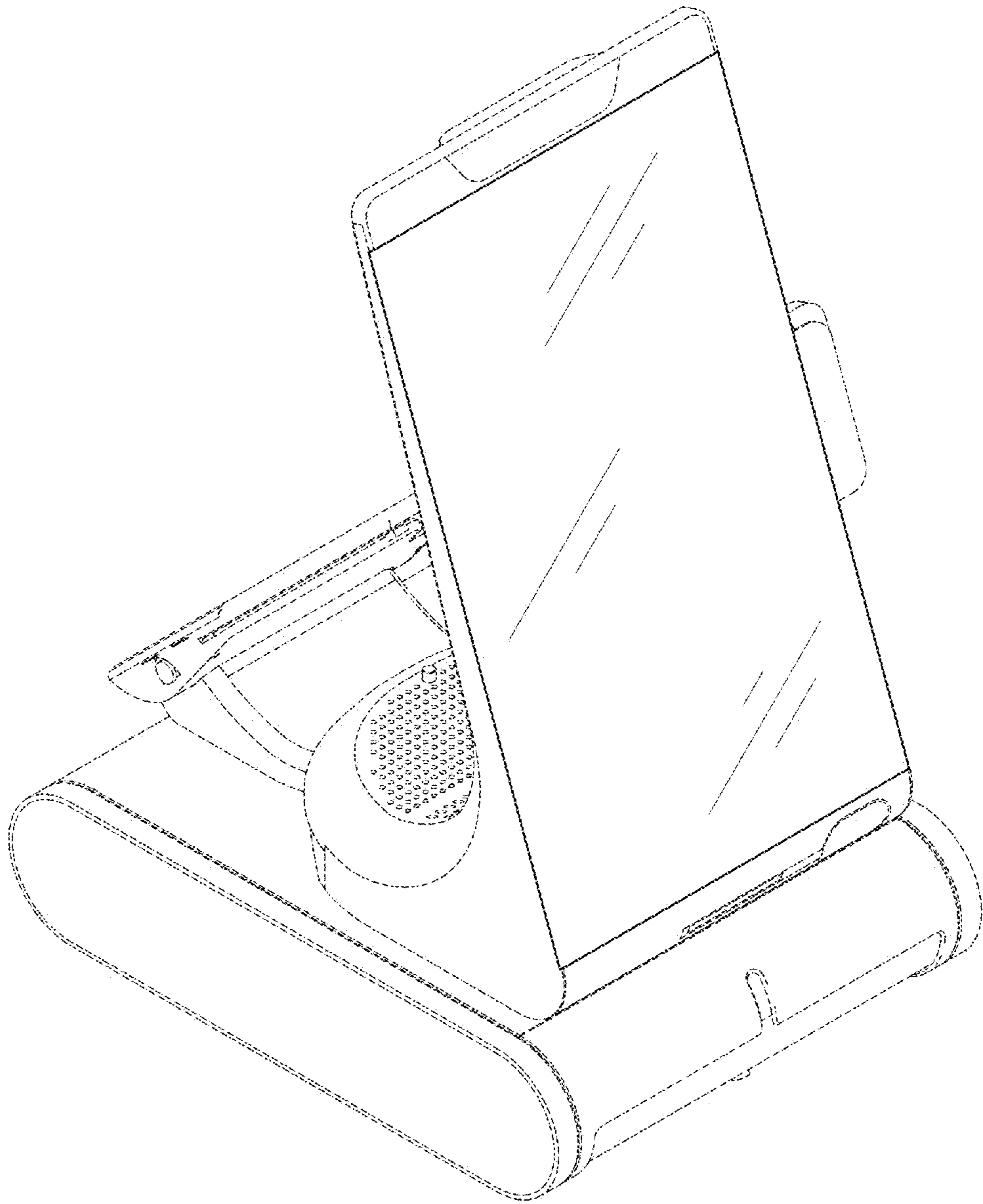


FIG. 1

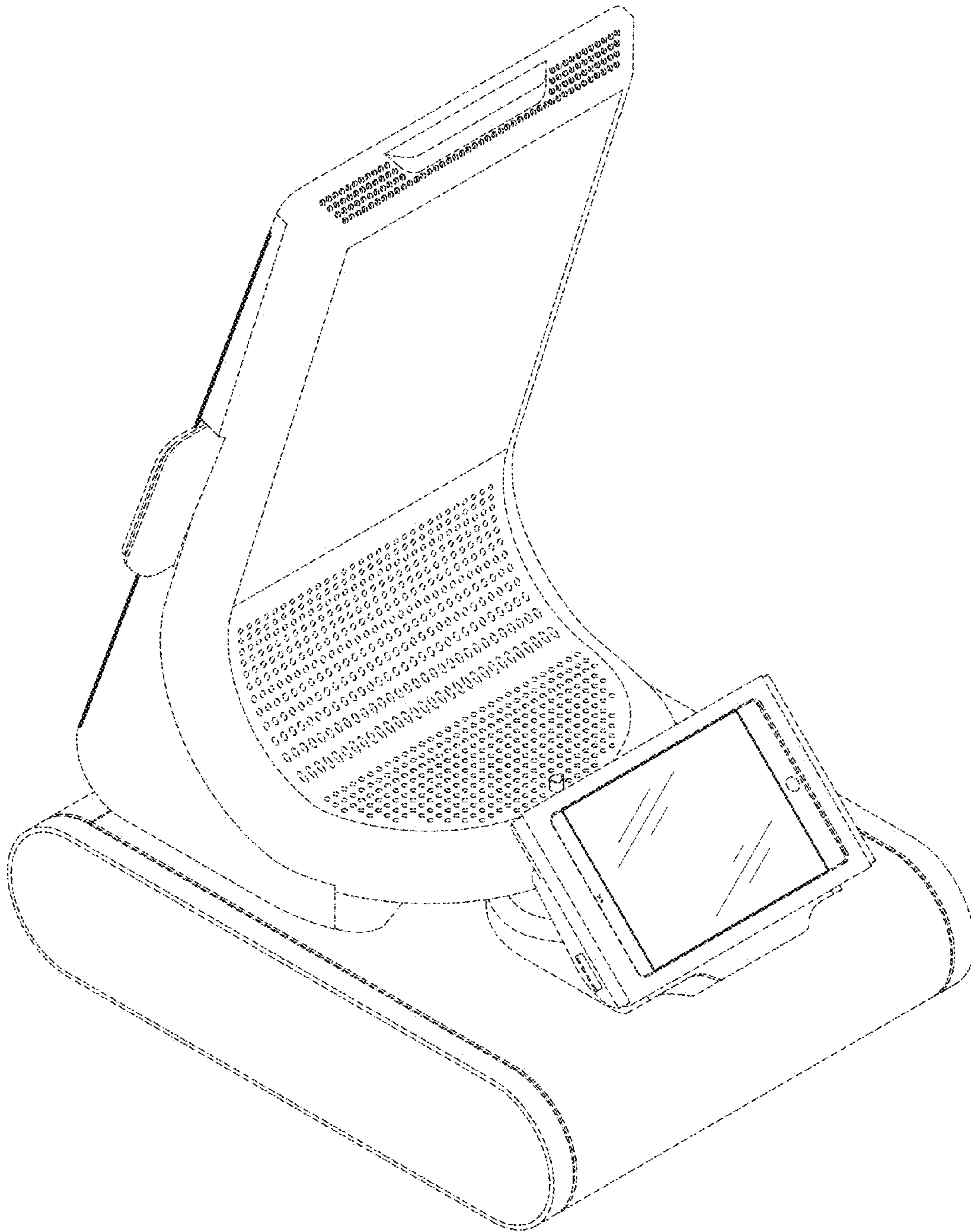


FIG. 2

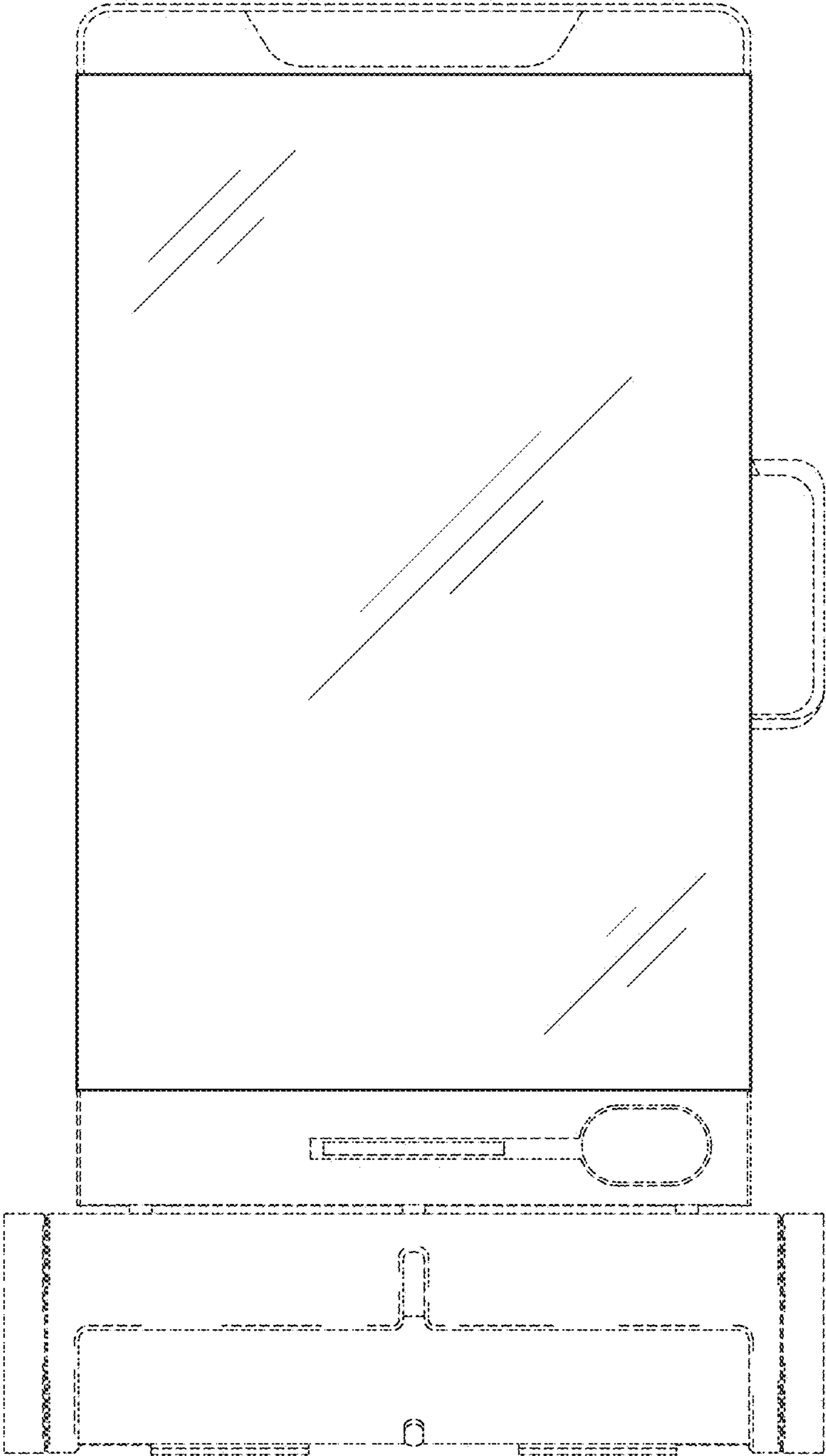


FIG. 3

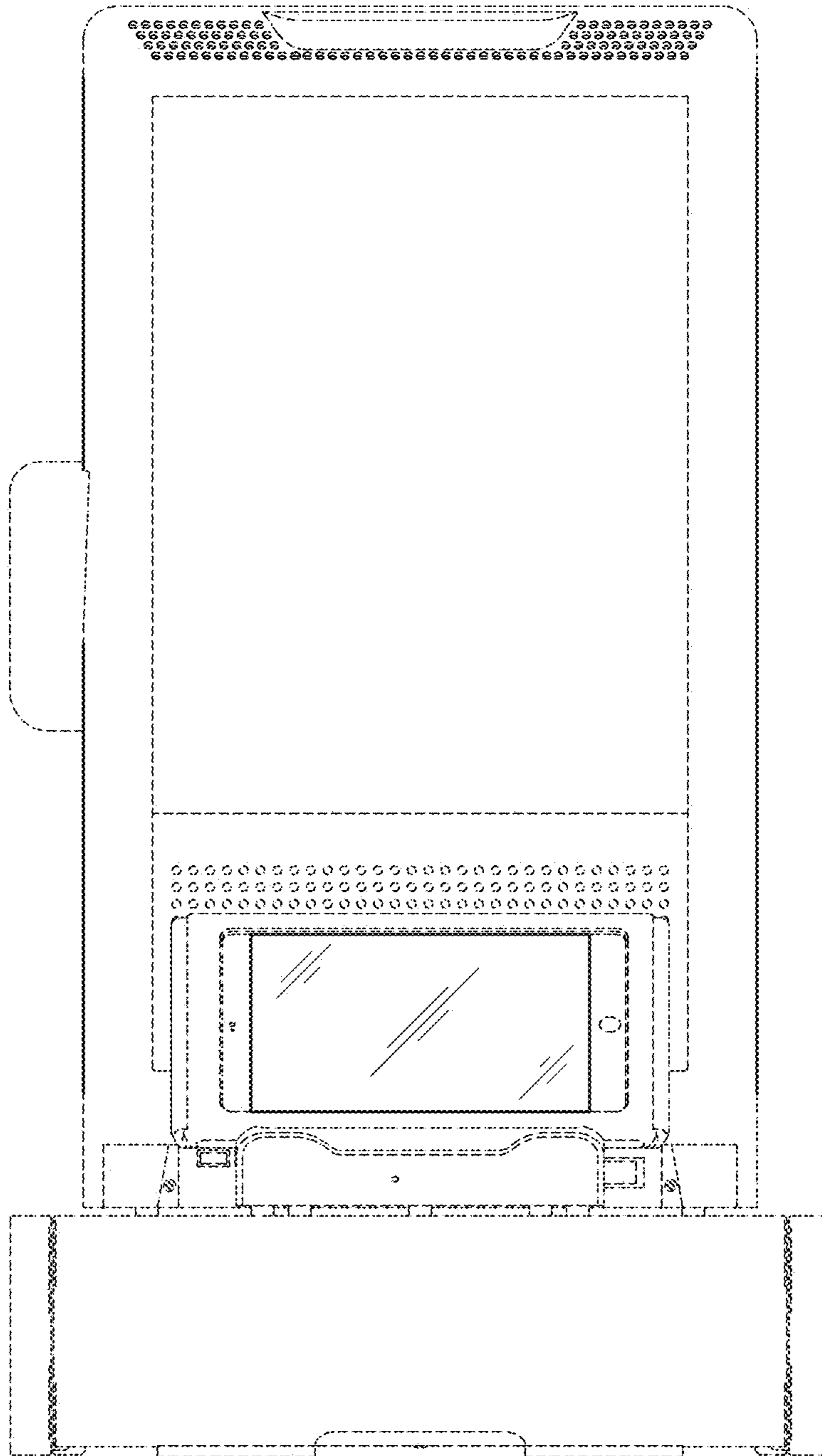


FIG. 4

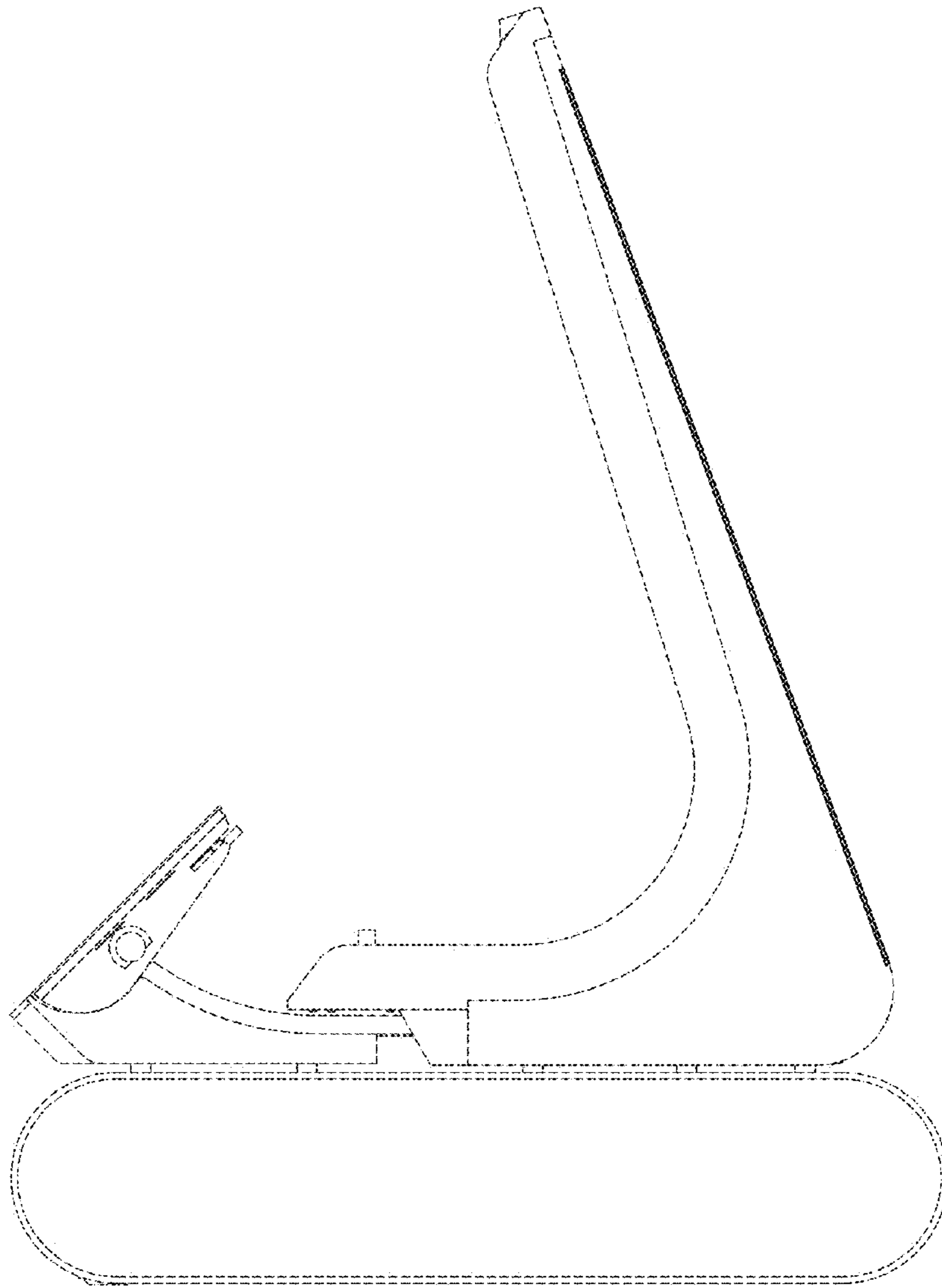


FIG. 5

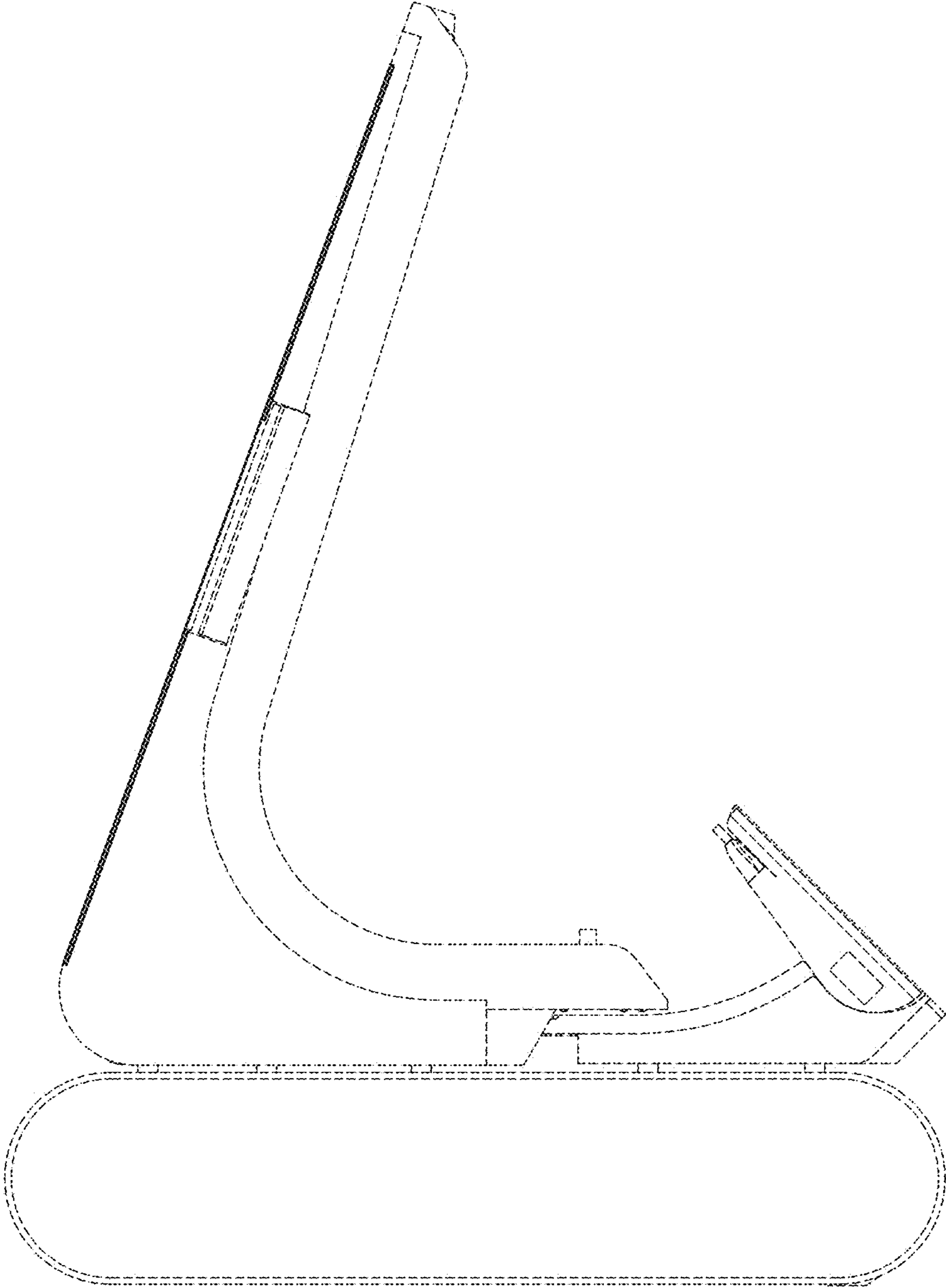


FIG. 6

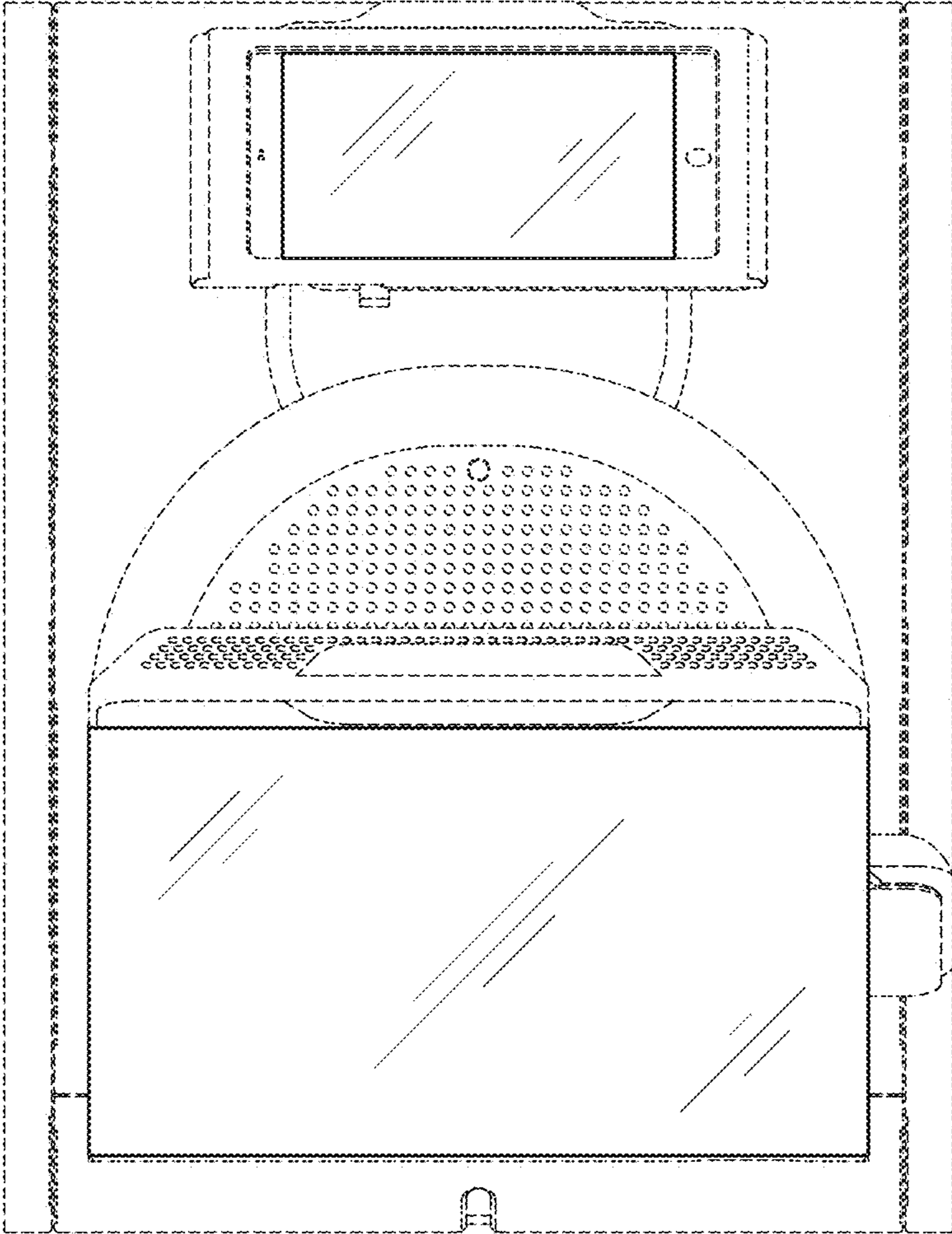


FIG. 7

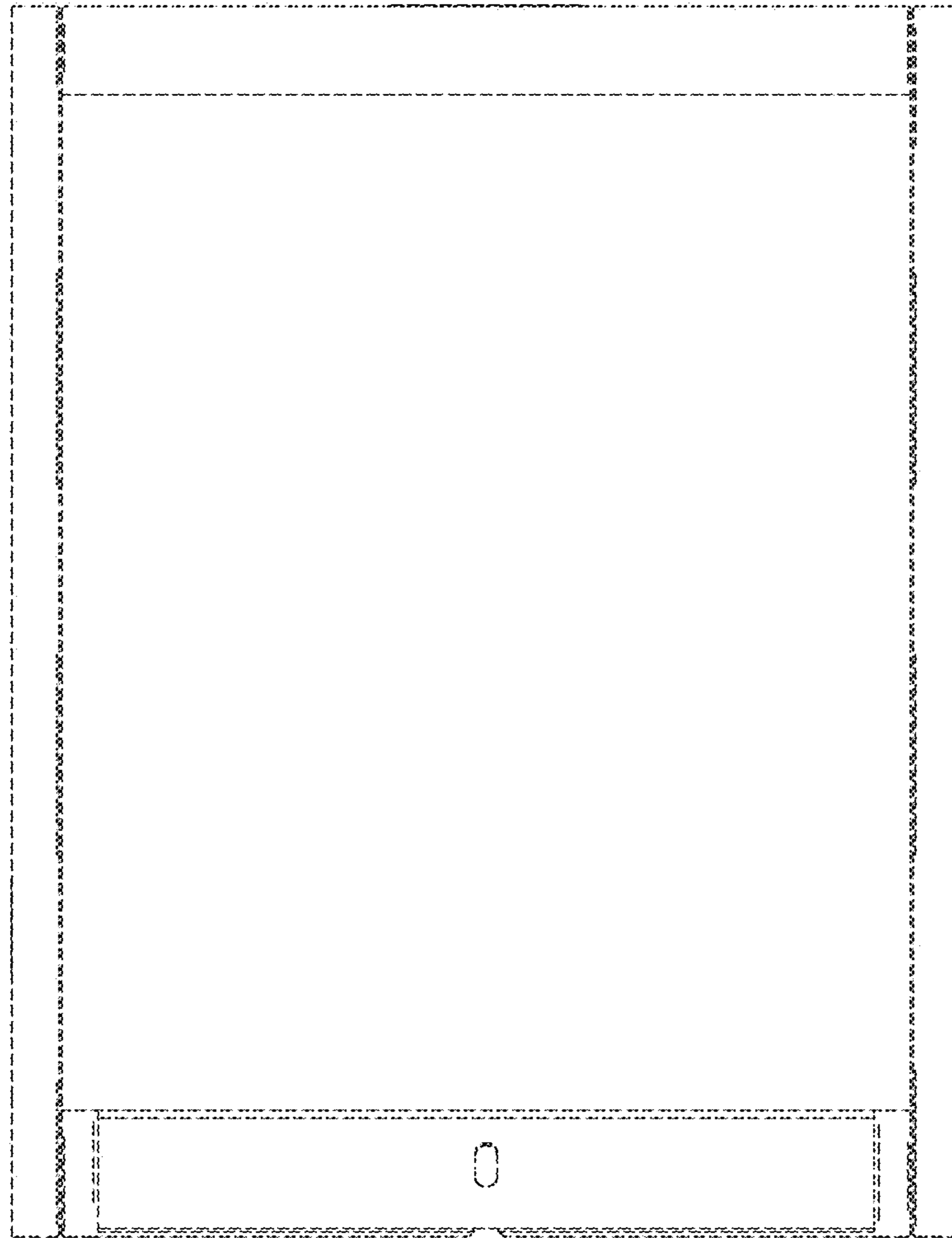


FIG. 8