



US00D762256S

(12) **United States Design Patent**
Han et al.

(10) **Patent No.:** **US D762,256 S**
(45) **Date of Patent:** **** Jul. 26, 2016**

(54) **PROJECTOR**

D631,904 S * 2/2011 Kim D16/225
D648,769 S * 11/2011 Tzeng D16/225
D690,759 S * 10/2013 Moriya D16/225

(71) Applicant: **LG ELECTRONICS INC.**, Seoul (KR)

(72) Inventors: **Youngsoo Han**, Seoul (KR);
Yoonkyeong Lee, Seoul (KR);
Byungmu Huh, Seoul (KR);
Myungwhoon Lee, Seoul (KR); **Angus Dick**, Seoul (KR)

FOREIGN PATENT DOCUMENTS

KR 300812648.0000 * 10/2014

(73) Assignee: **LG Electronics Inc.**, Seoul (KR)

(**) Term: **15 Years**

(21) Appl. No.: **29/530,838**

(22) Filed: **Jun. 19, 2015**

(30) **Foreign Application Priority Data**

Dec. 19, 2014 (KR) 30-2014-0062169

(51) **LOC (10) Cl.** **16-02**

(52) **U.S. Cl.**
USPC **D16/230**; D16/225

(58) **Field of Classification Search**
USPC D16/221, 225, 230-231, 234; D21/514
CPC G03B 21/00; G03B 21/001; G03B 21/003;
G03B 21/14; G03B 21/145
See application file for complete search history.

(56) **References Cited**

U.S. PATENT DOCUMENTS

D500,070 S * 12/2004 Yamaguchi D16/225
D510,098 S * 9/2005 Ishikawa D16/225
D522,037 S * 5/2006 Inoue D16/225
7,850,309 B2 * 12/2010 Hirouchi G03B 21/145
353/52

OTHER PUBLICATIONS

LG Minibeam Pro PF1500 1400 Lumen Full HD Portable Smart LED Projector. [Retrieved on Mar. 10, 2016]. Retrieved from the Internet: <URL: <http://www.google.com/images>>.*

* cited by examiner

Primary Examiner — Wan Laymon

(74) *Attorney, Agent, or Firm* — Birch, Stewart, Kolasch & Birch, LLP

(57) **CLAIM**

The ornamental design for a projector, as shown and described.

DESCRIPTION

FIG. 1 is a front, left side, perspective view of a projector showing our new design;
FIG. 2 is a front view thereof;
FIG. 3 is a rear view thereof;
FIG. 4 is a left side view thereof;
FIG. 5 is a right side view thereof;
FIG. 6 is a top view thereof; and,
FIG. 7 is a bottom view thereof.
The broken lines shown in the figures represent portions of the projector and form no part of the claimed design.

1 Claim, 5 Drawing Sheets

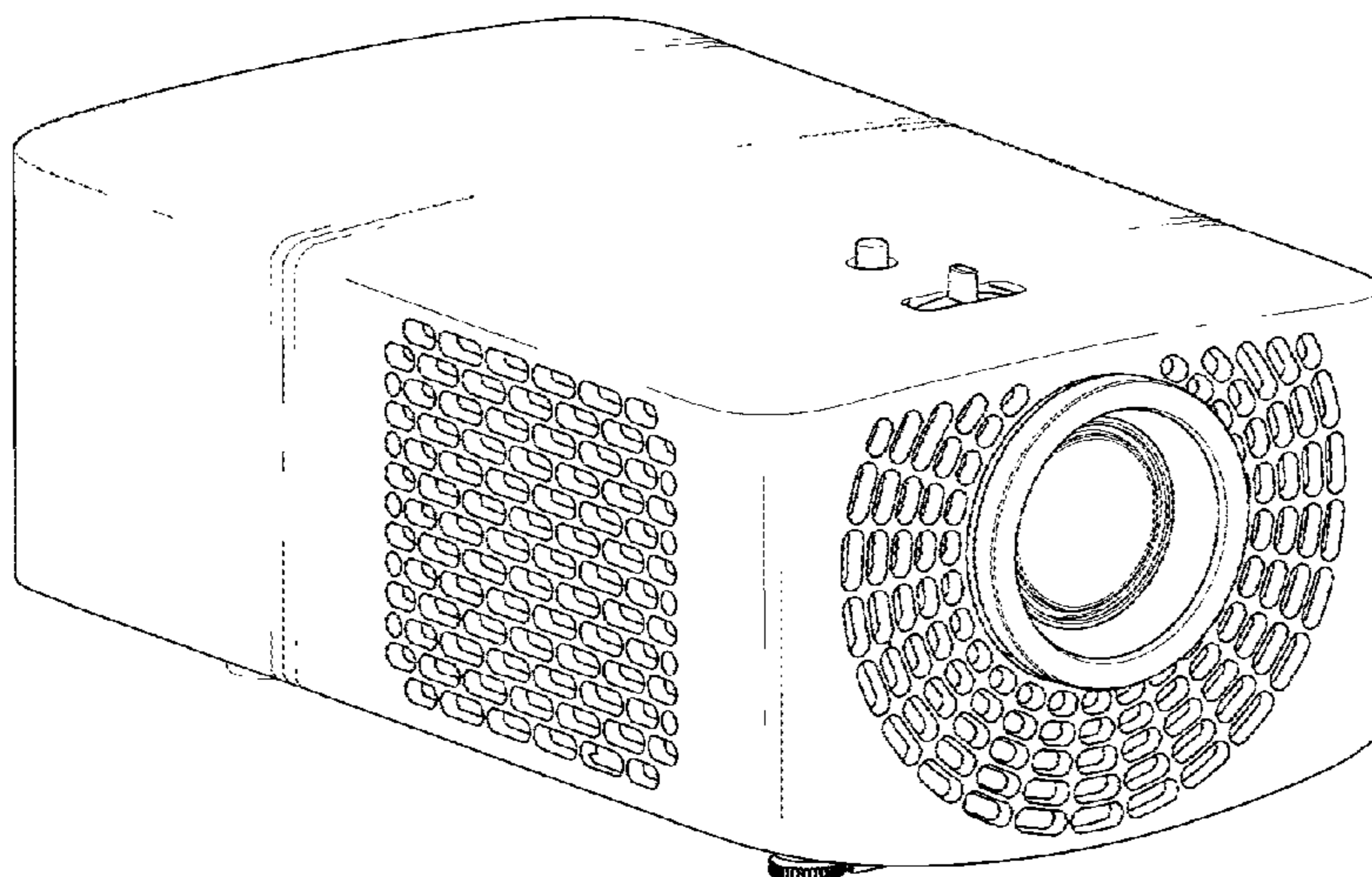


FIG. 1

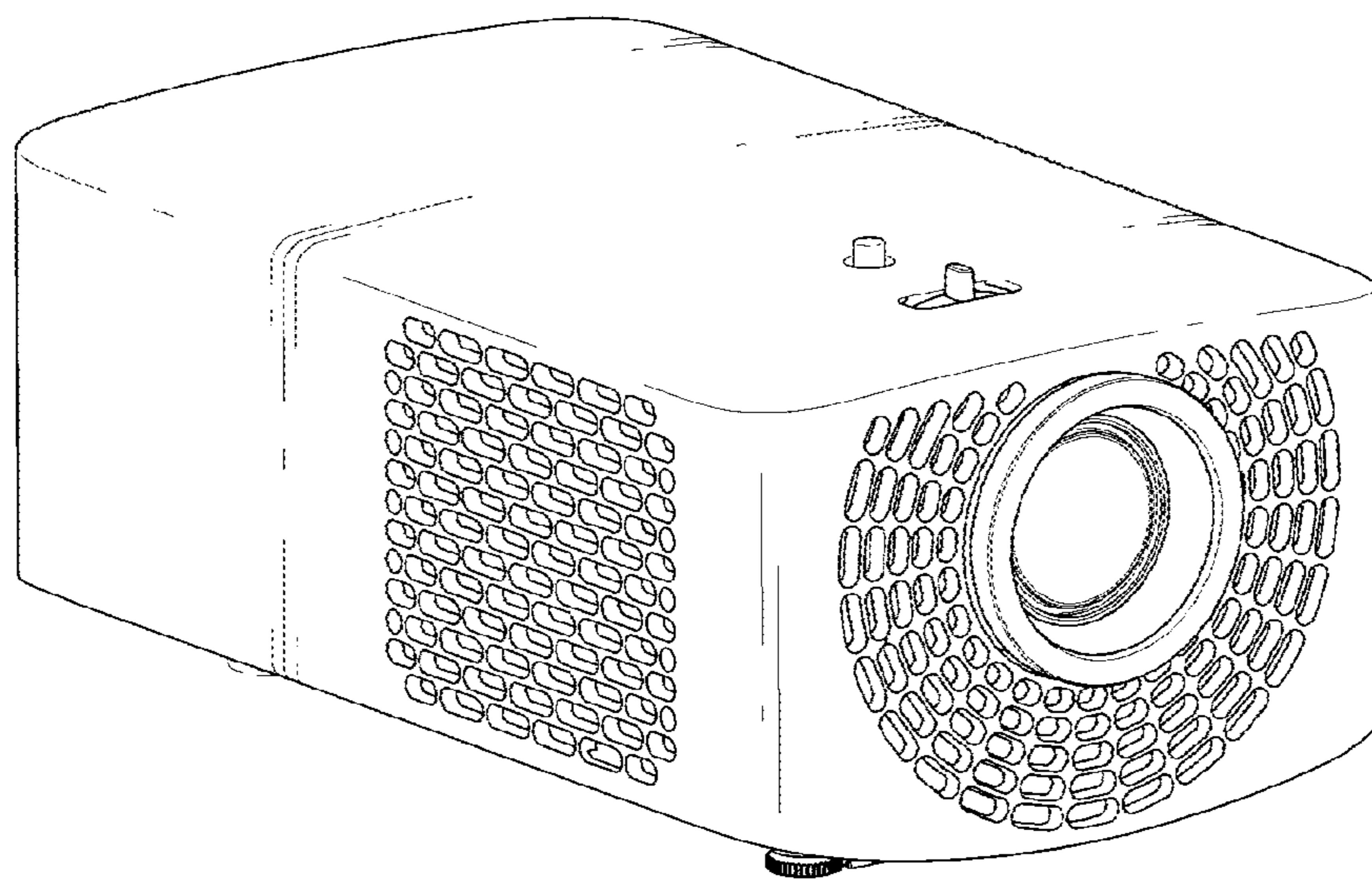


FIG. 2

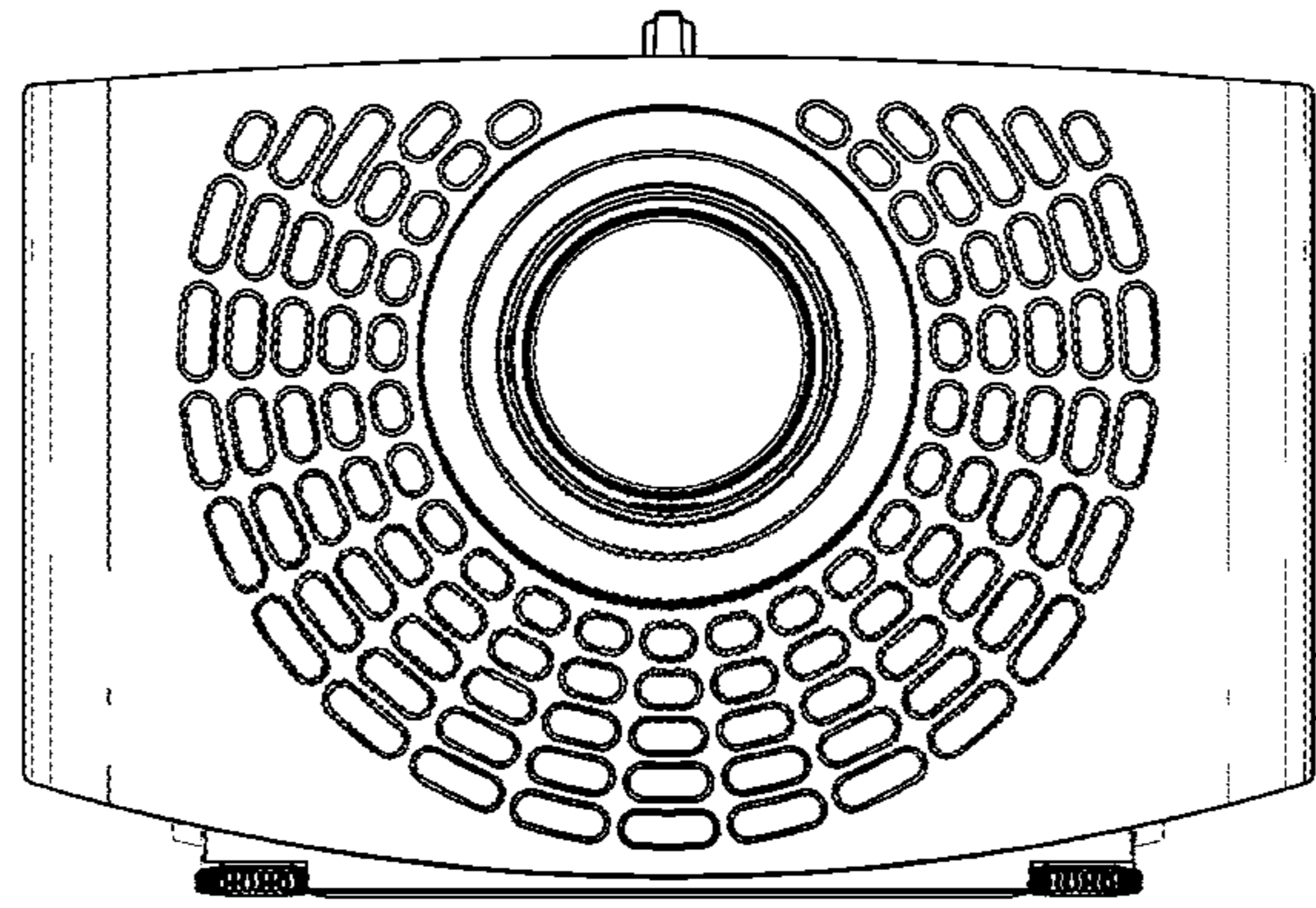


FIG. 3

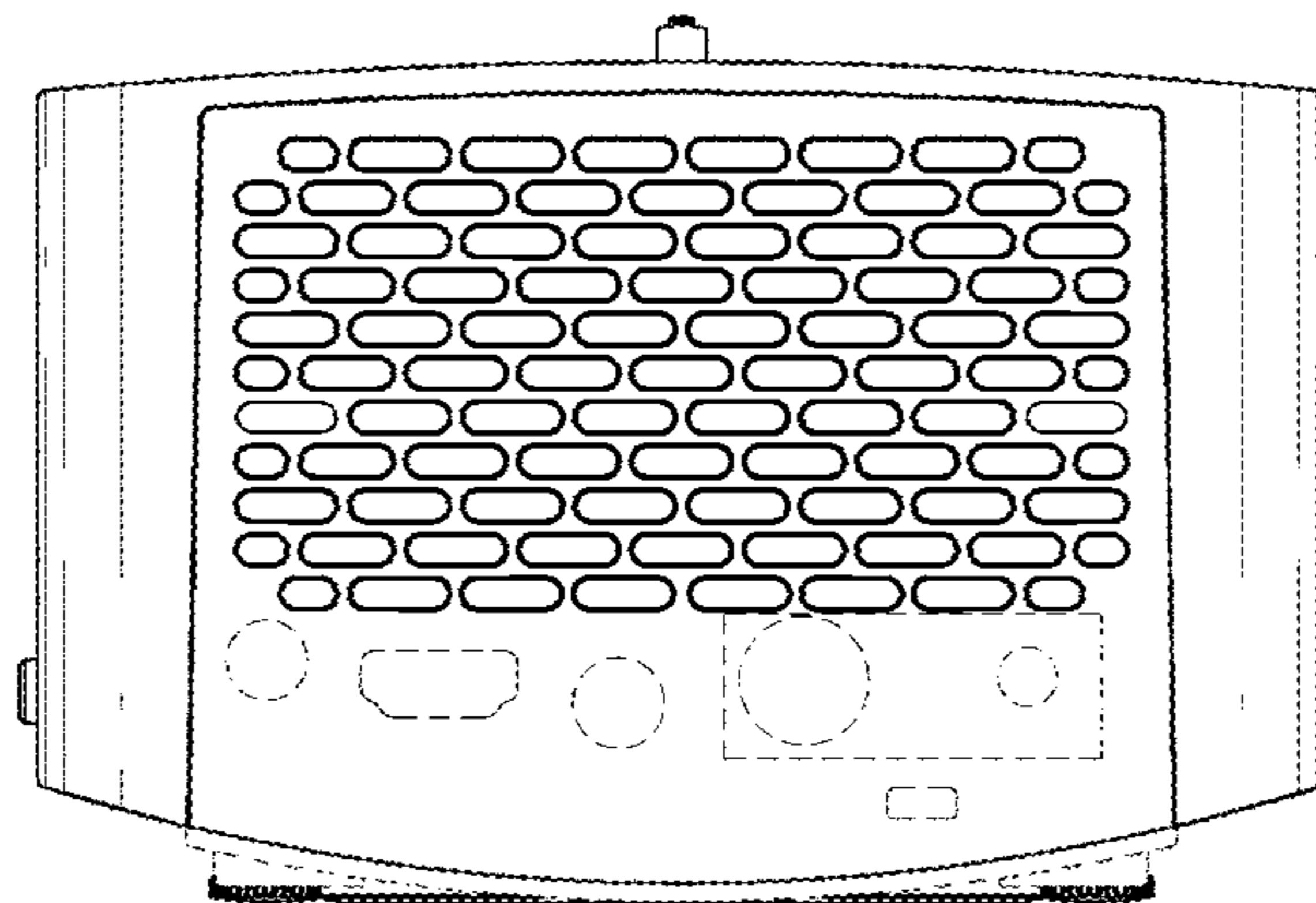


FIG. 4

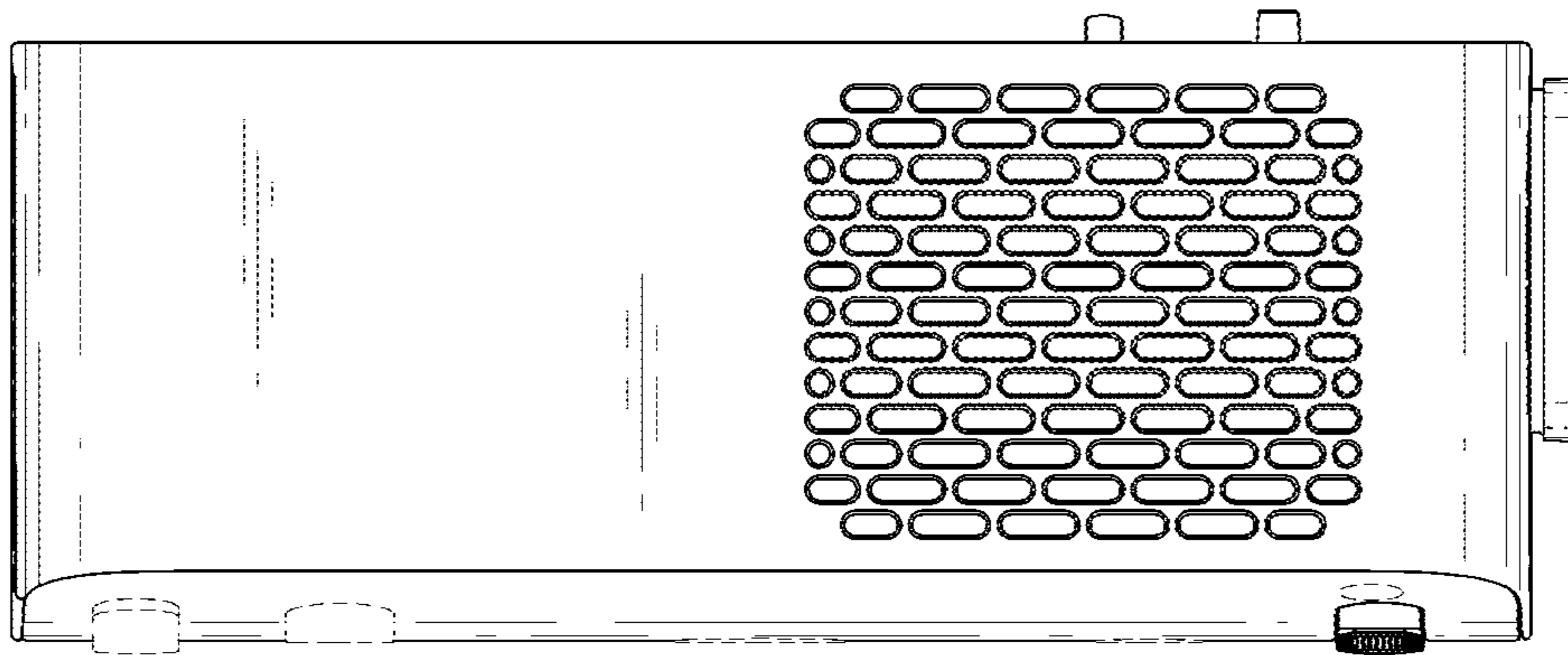


FIG. 5

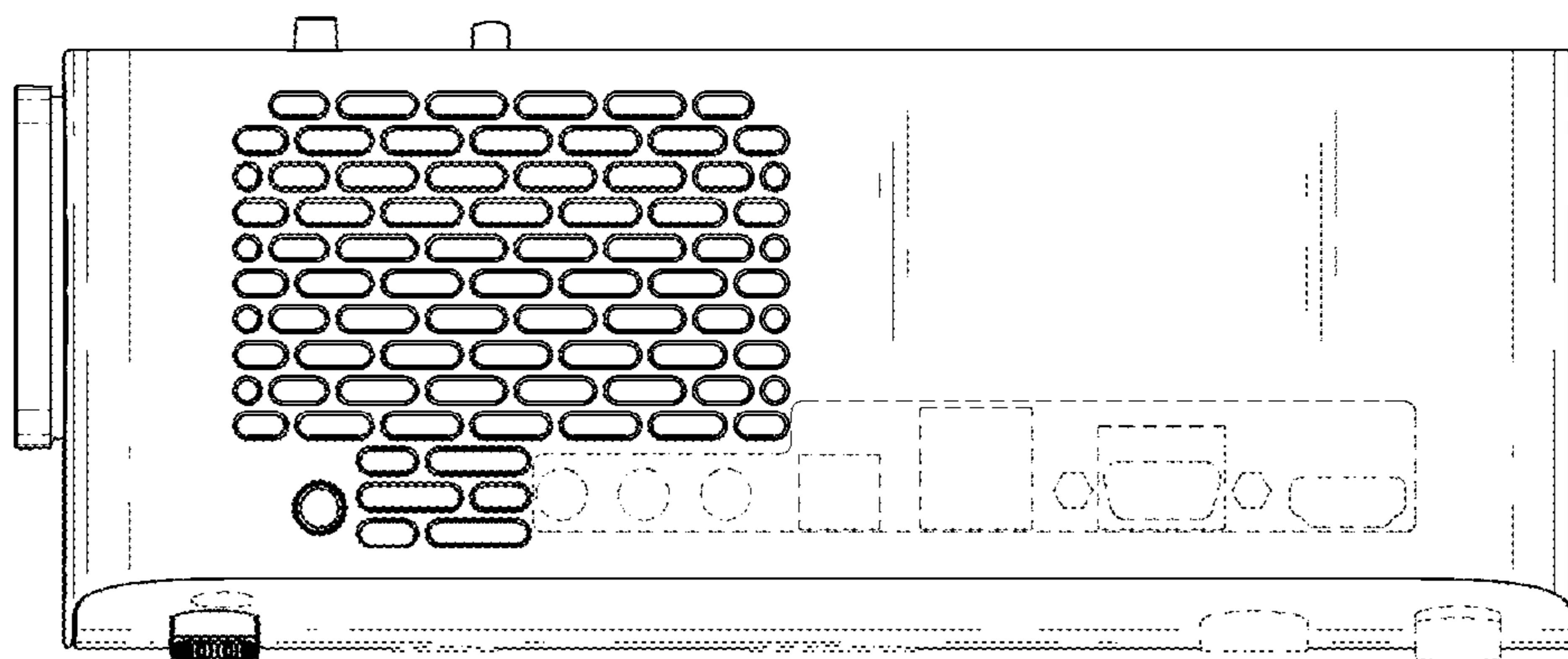


FIG. 6

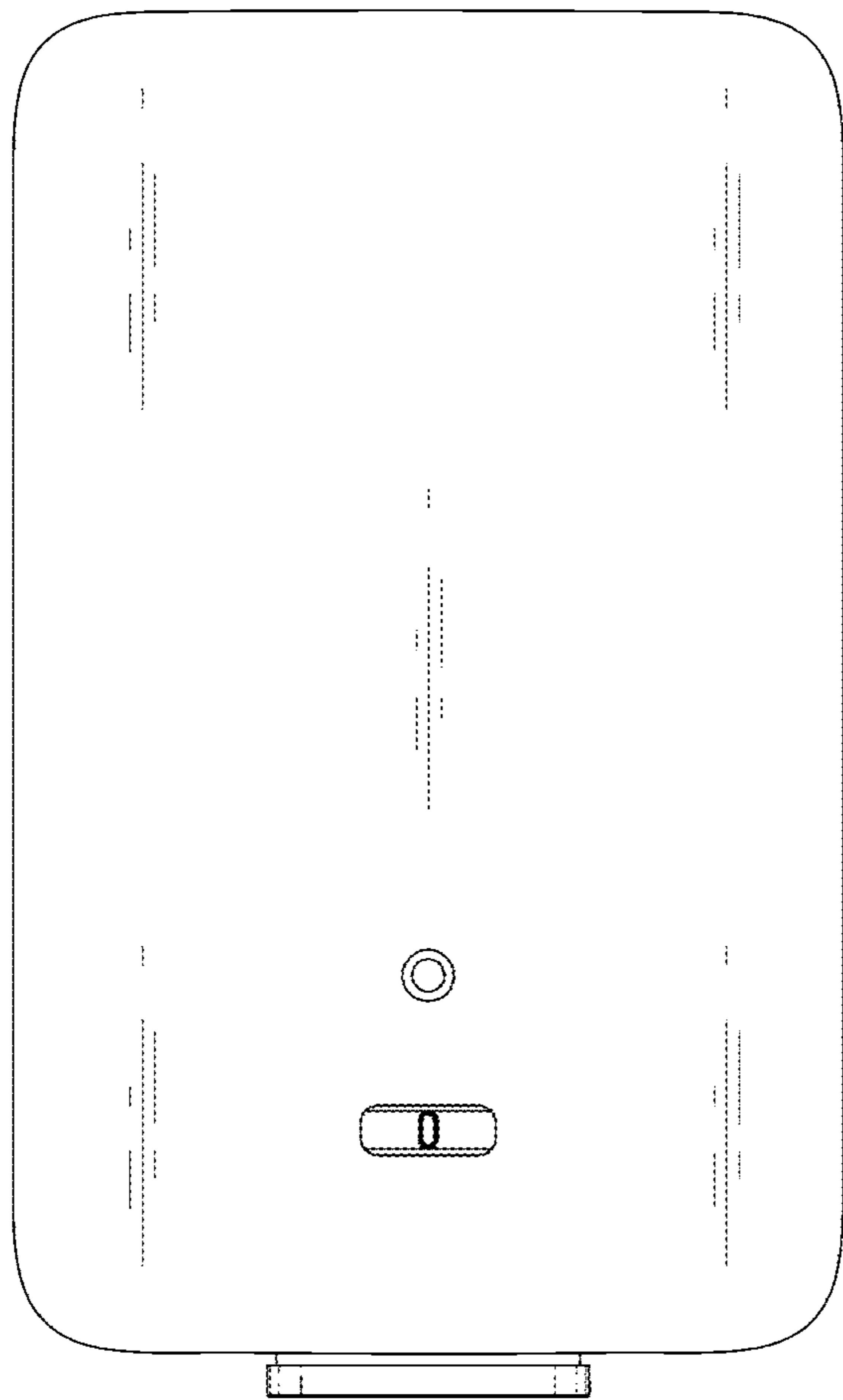


FIG. 7

