

US00D762255S

(12) **United States Design Patent**  
**Levy et al.**

(10) **Patent No.:** **US D762,255 S**  
(45) **Date of Patent:** **\*\* Jul. 26, 2016**

- (54) **OIL FUNNEL**
- (71) Applicant: **NAVAJO MANUFACTURING COMPANY, INC.**, Denver, CO (US)
- (72) Inventors: **Gordon Levy**, Golden, CO (US); **Shawn Shelton**, Denver, CO (US)
- (73) Assignee: **Navajo Manufacturing Company, Inc.**, Denver, CO (US)

5,706,873 A \* 1/1998 Benoit ..... F16N 31/002  
137/513.7  
5,921,292 A \* 7/1999 Fouts ..... F01M 11/0458  
141/331  
D415,662 S 10/1999 Schneider  
6,098,678 A 8/2000 Shears  
6,142,193 A 11/2000 Sanders  
6,179,022 B1 1/2001 Schneider et al.  
6,450,219 B1 9/2002 Ingram

(Continued)

(\*\*) Term: **15 Years**

(21) Appl. No.: **29/529,825**

(22) Filed: **Jun. 10, 2015**

(51) **LOC (10) Cl.** ..... **15-99**

(52) **U.S. Cl.**  
USPC ..... **D15/150**

(58) **Field of Classification Search**  
USPC ..... D7/700; D15/150, 151, 152; D23/200;  
D24/121-123; 141/95, 98, 297-300,  
141/331-345

See application file for complete search history.

(56) **References Cited**

**U.S. PATENT DOCUMENTS**

192,987 A	7/1877	Griffiths	
D143,458 S	1/1946	Zabel et al.	
3,490,501 A	1/1970	Manem et al.	
D218,773 S	9/1970	Sitts	
D230,629 S	3/1974	Camp et al.	
3,899,012 A	8/1975	Sather	
4,245,666 A	1/1981	Norris	
D282,807 S	3/1986	Hasse	
4,646,795 A	3/1987	Hebron et al.	
4,804,026 A	2/1989	Bailey	
5,092,471 A	3/1992	Pinizzotto et al.	
D340,460 S	10/1993	Pollak et al.	
D340,731 S	10/1993	Pollak et al.	
5,314,625 A *	5/1994	Farnelli .....	B01D 21/0009 184/6.25
5,316,059 A	5/1994	Lahnan et al.	
5,497,814 A	3/1996	Cannon	

**FOREIGN PATENT DOCUMENTS**

GB 612851 11/1948  
GB 2 266 251 A 10/1993

*Primary Examiner* — Patricia Palasik

(74) *Attorney, Agent, or Firm* — Studebaker & Brackett PC

(57) **CLAIM**

The ornamental design for an oil funnel, as shown and described.

**DESCRIPTION**

FIG. 1 is a perspective view showing our new design for an oil funnel,

FIG. 2 is another perspective view thereof,

FIG. 3 is a top view thereof,

FIG. 4 is a bottom view thereof,

FIG. 5 is a right side view thereof,

FIG. 6 is a left side view thereof,

FIG. 7 is a front view thereof,

FIG. 8 is a rear view thereof,

FIG. 9 is a perspective view of an alternate embodiment of the oil funnel in FIGS. 1 through 8,

FIG. 10 is another perspective view thereof,

FIG. 11 is a top view thereof,

FIG. 12 is a bottom view thereof,

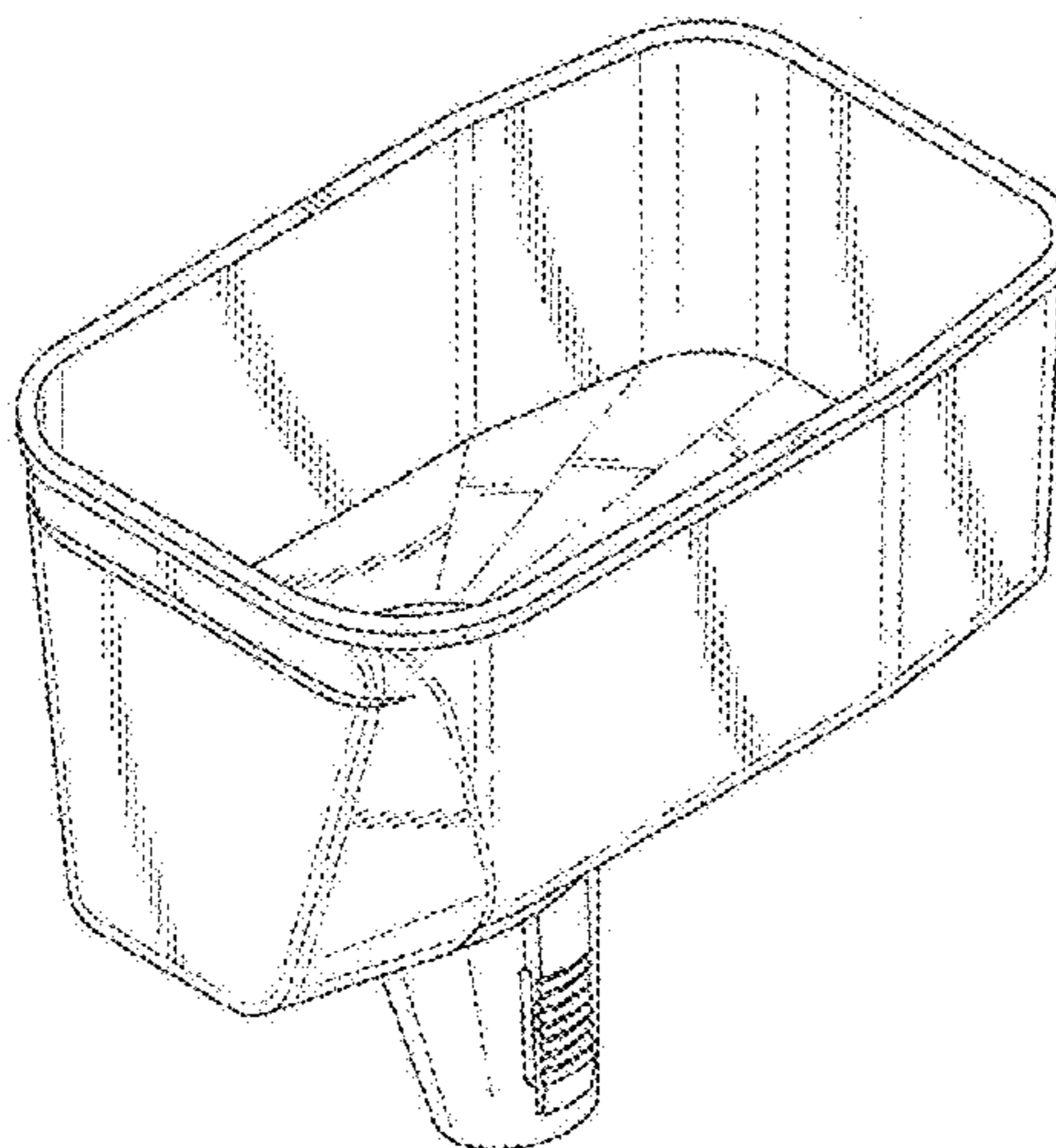
FIG. 13 is a right side view thereof,

FIG. 14 is a left side view thereof,

FIG. 15 is a front view thereof, and,

FIG. 16 is a rear view thereof.

**1 Claim, 8 Drawing Sheets**



(56)

**References Cited**

U.S. PATENT DOCUMENTS

D554,166 S 10/2007 LaFollette  
D555,439 S 11/2007 Fletcher et al.  
D560,106 S 1/2008 Curtin  
D593,383 S 6/2009 Pallotto et al.  
D599,902 S 9/2009 Lilienthal et al.

7,849,968 B1\* 12/2010 Krepps ..... F16N 33/00  
184/1.5  
D654,766 S 2/2012 Vaders et al.  
D661,957 S 6/2012 Lee et al.  
D669,750 S 10/2012 Lee et al.  
D671,379 S 11/2012 Lion  
D690,752 S 10/2013 Levy et al.  
2012/0152408 A1 6/2012 Levy et al.

\* cited by examiner

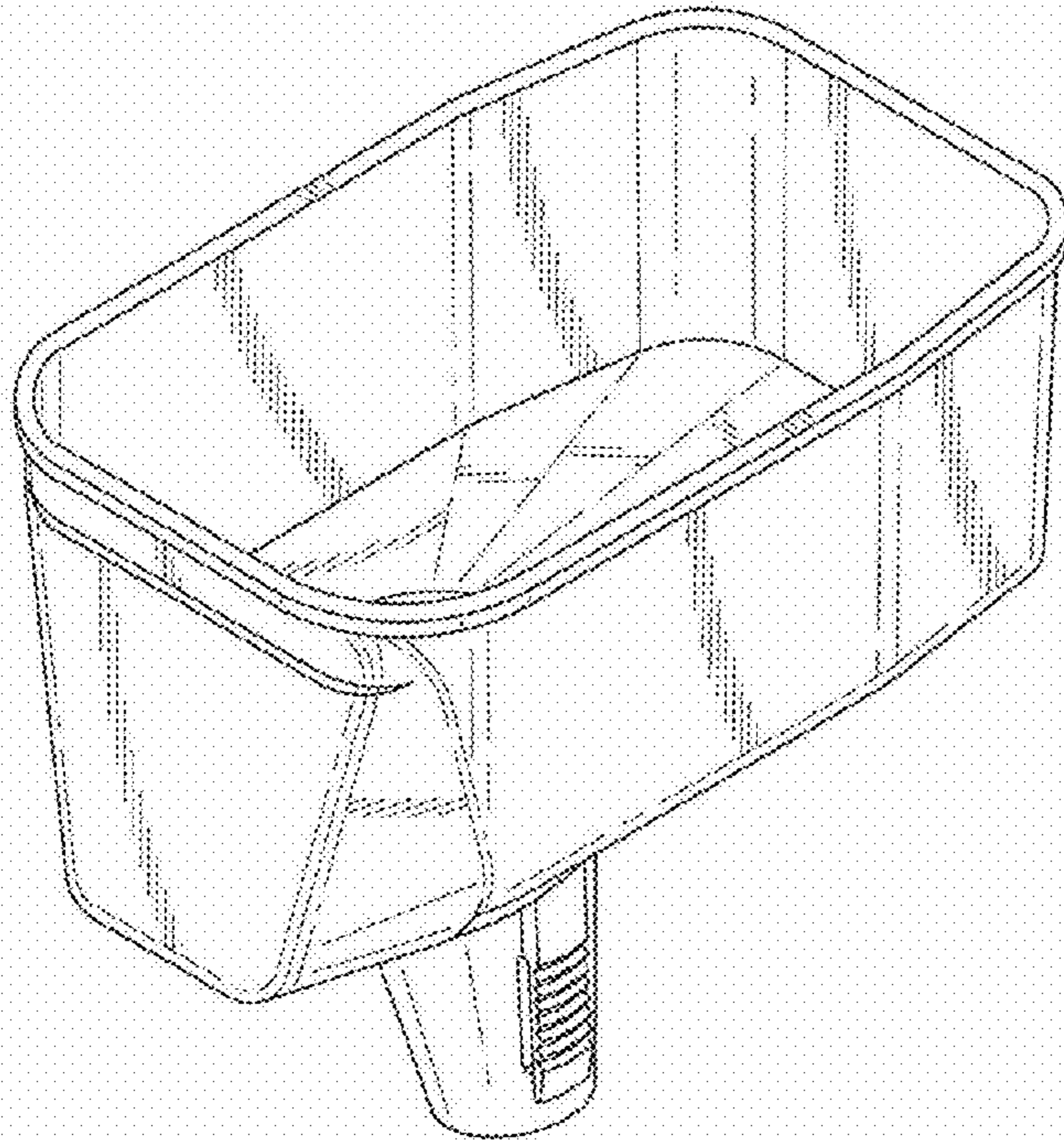


FIG. 1

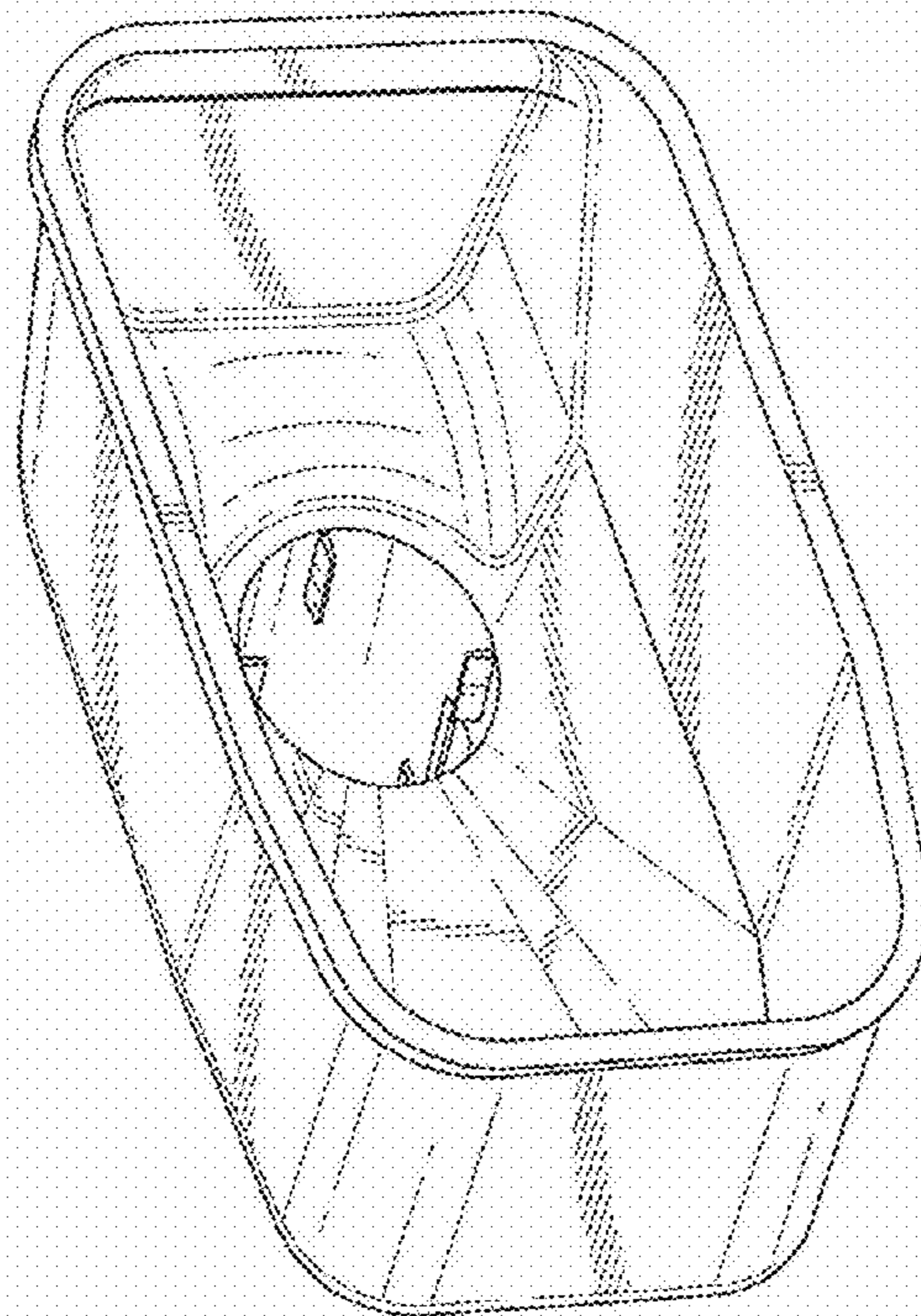


FIG. 2



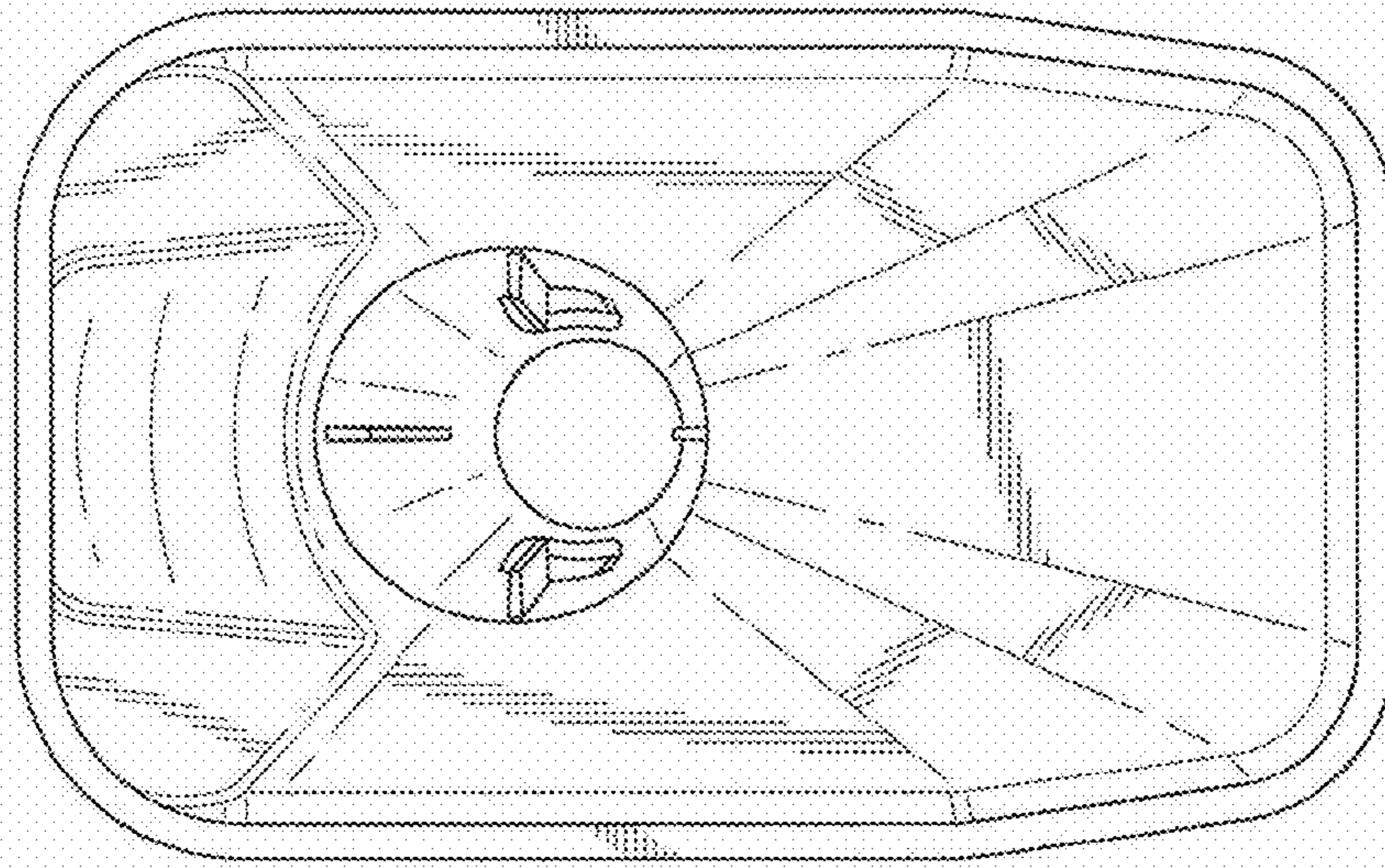


FIG. 3

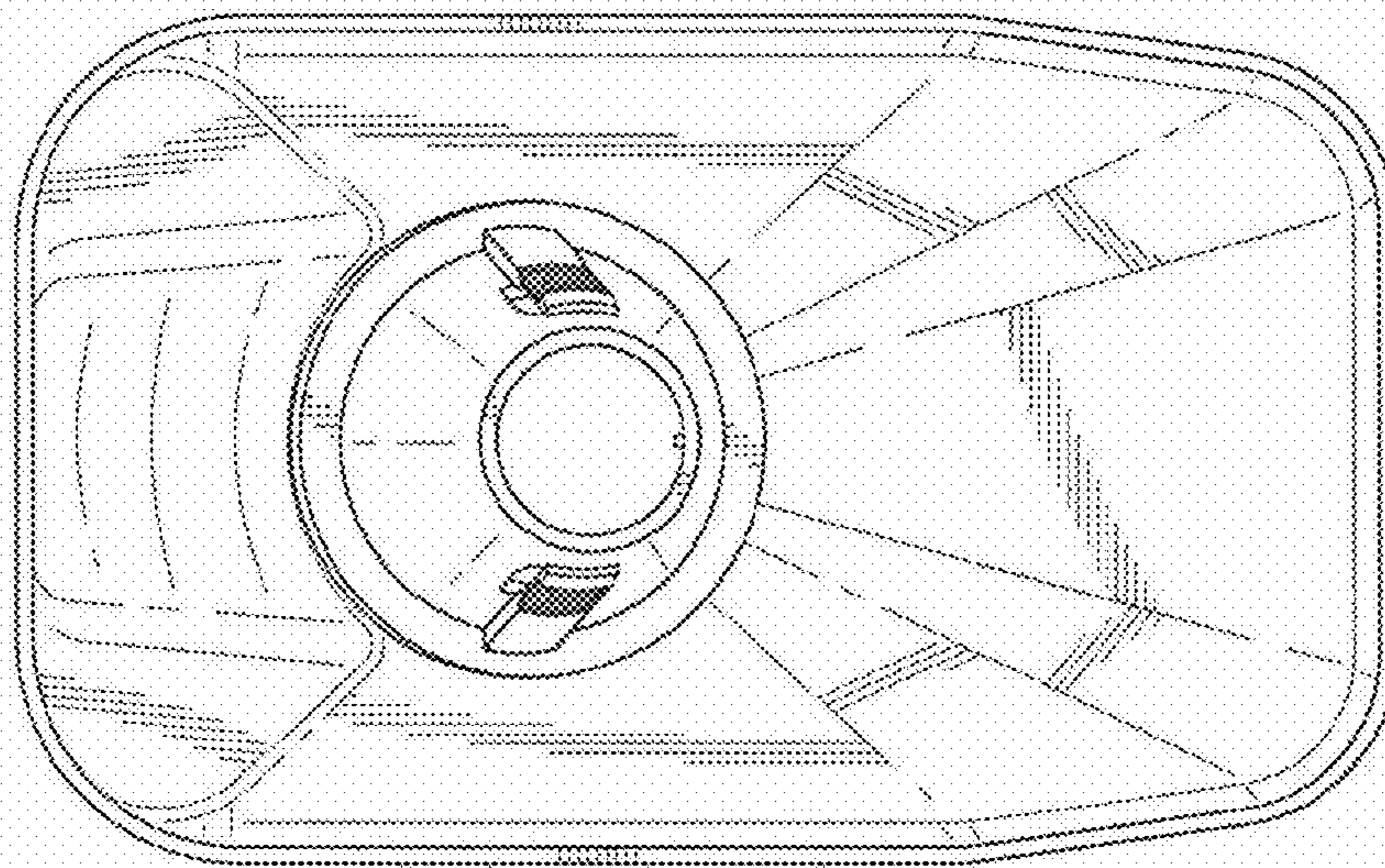


FIG. 4

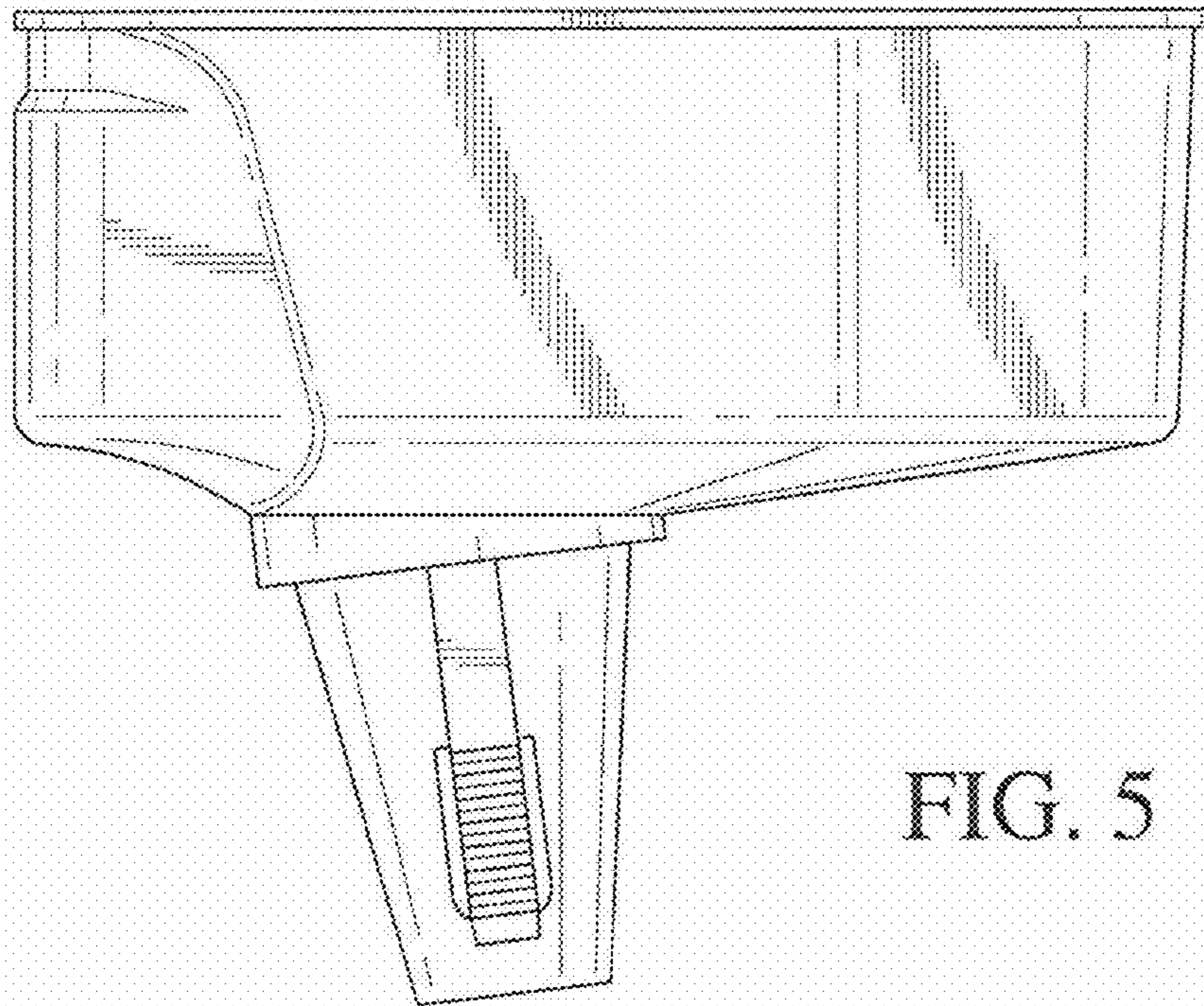


FIG. 5

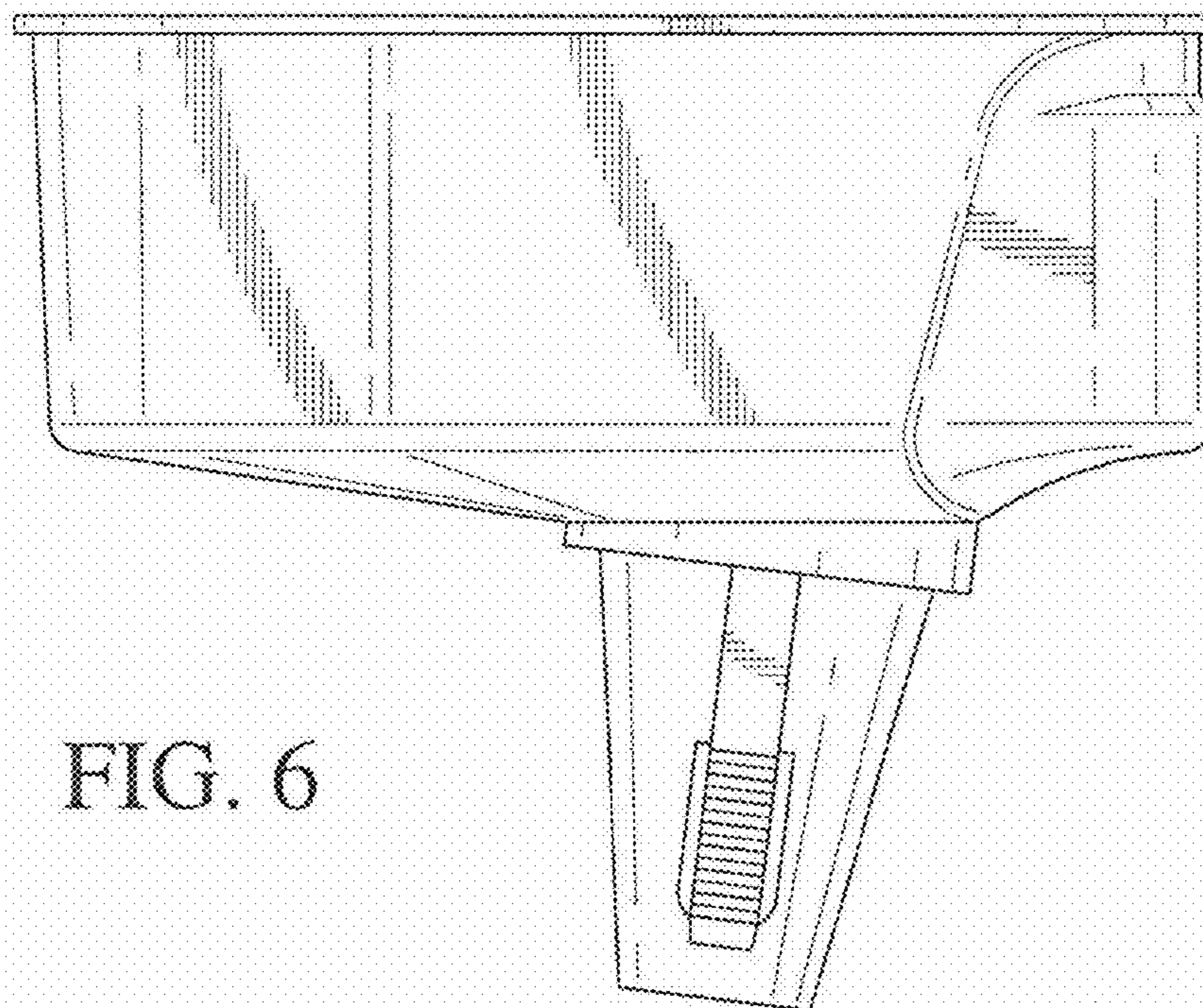


FIG. 6



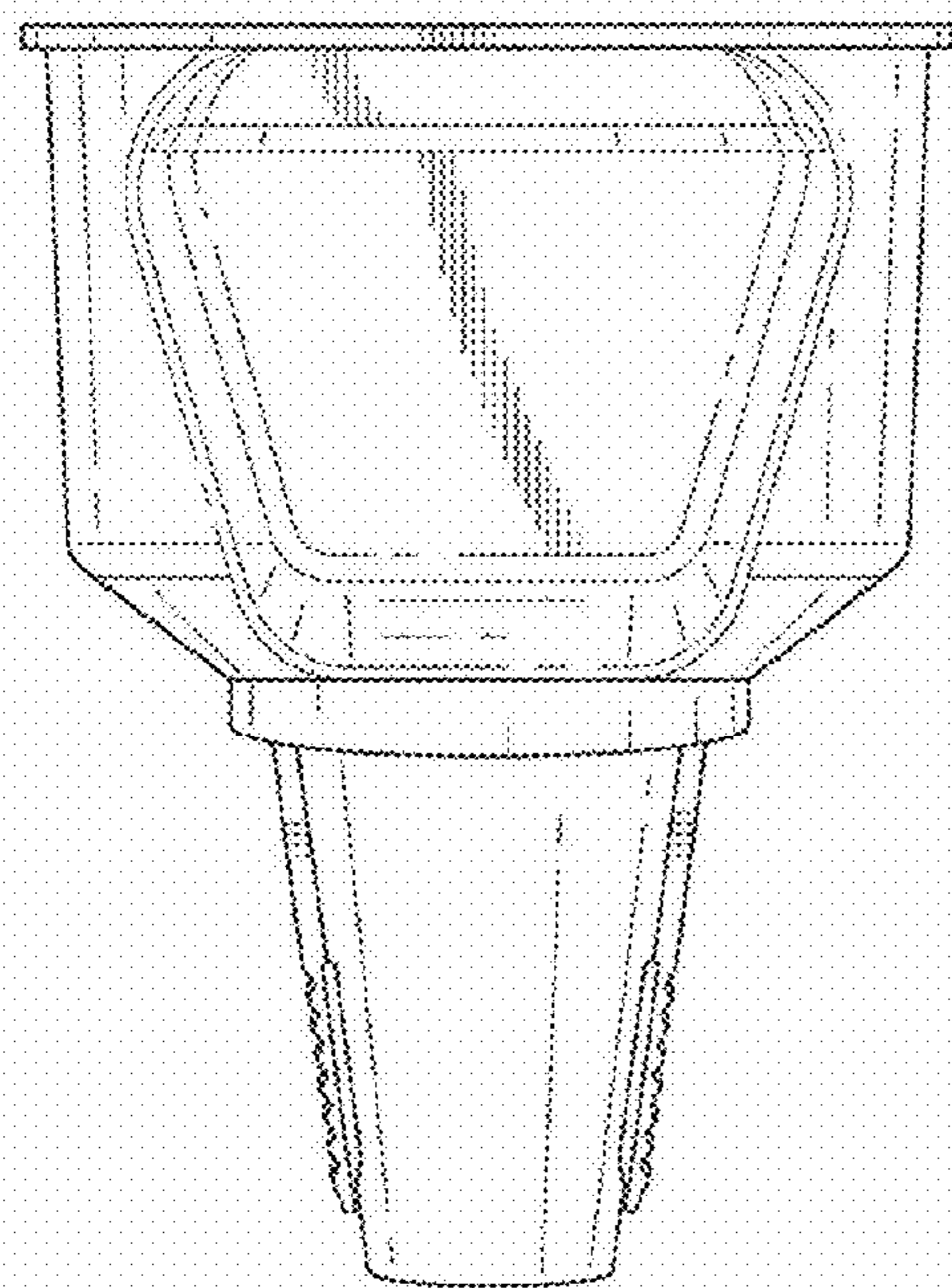


FIG. 7

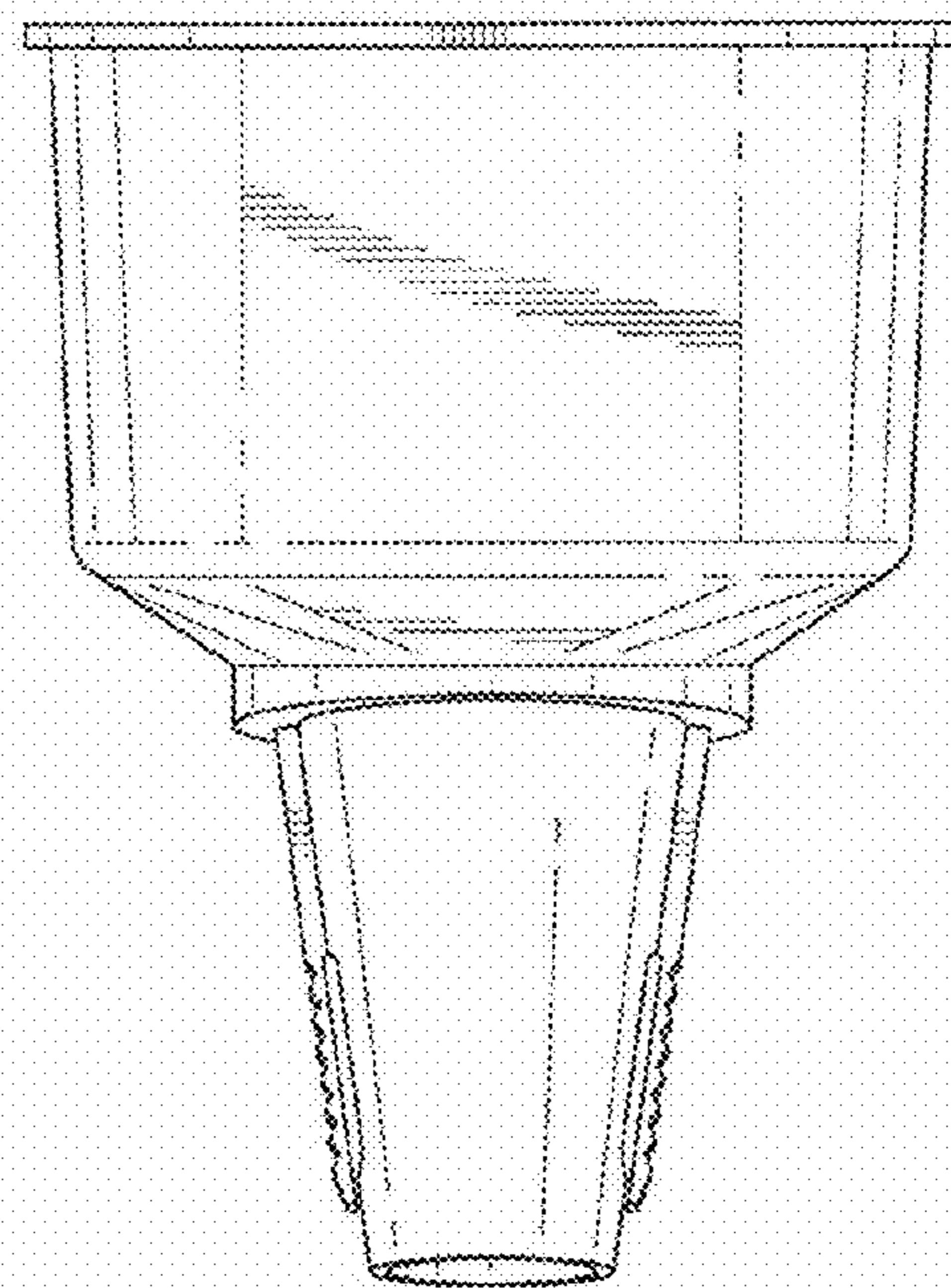


FIG. 8

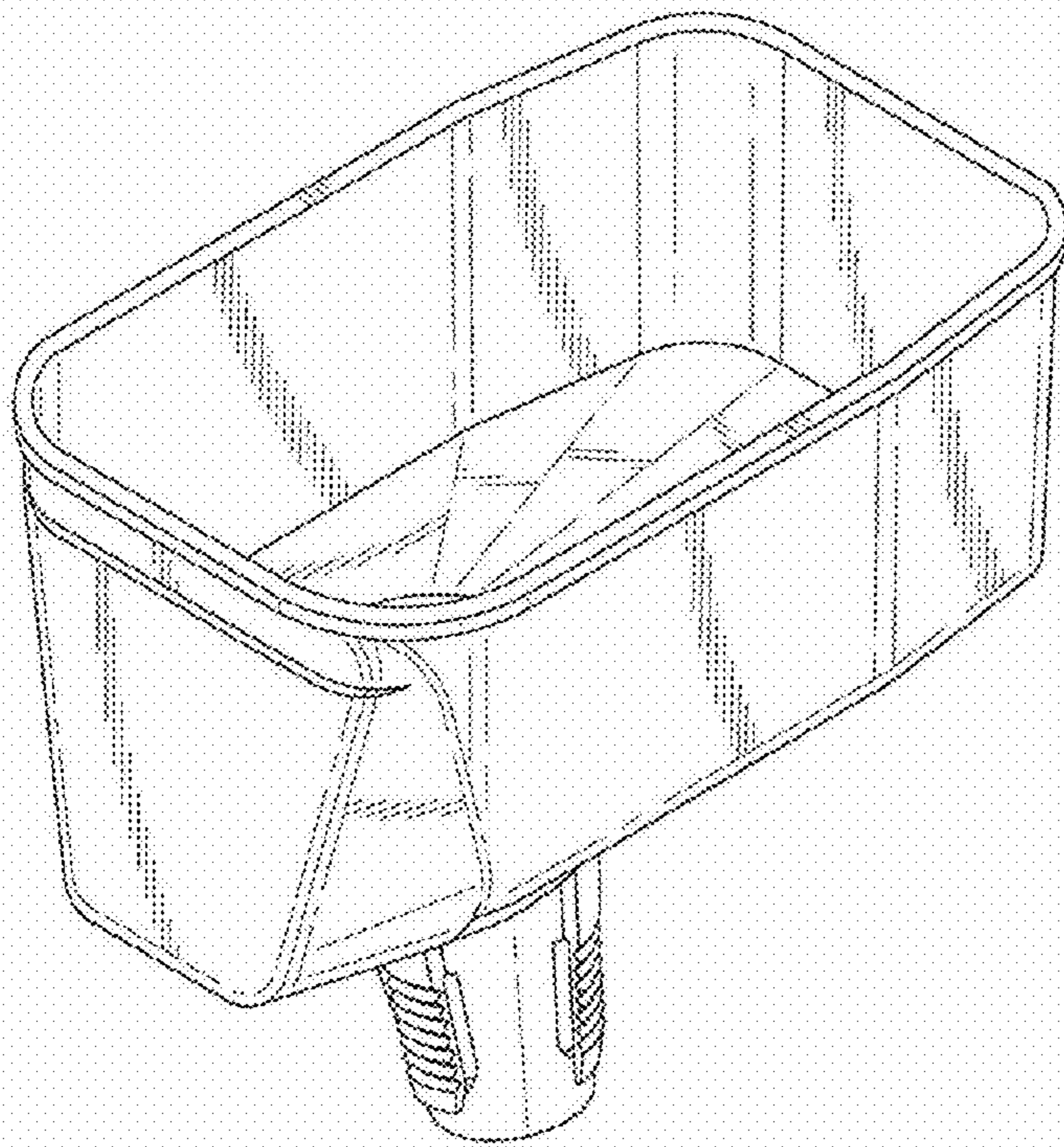


FIG. 9

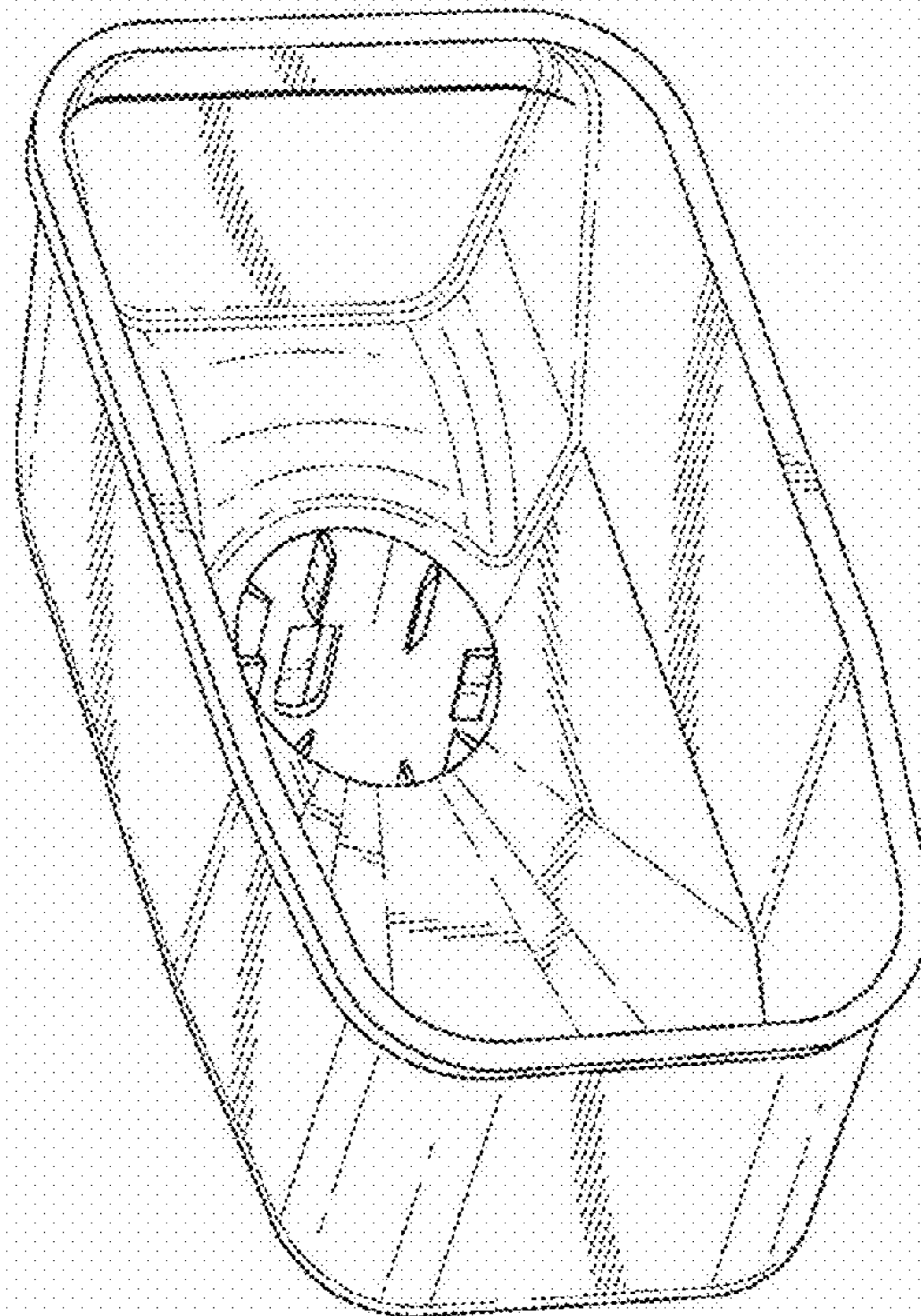


FIG. 10



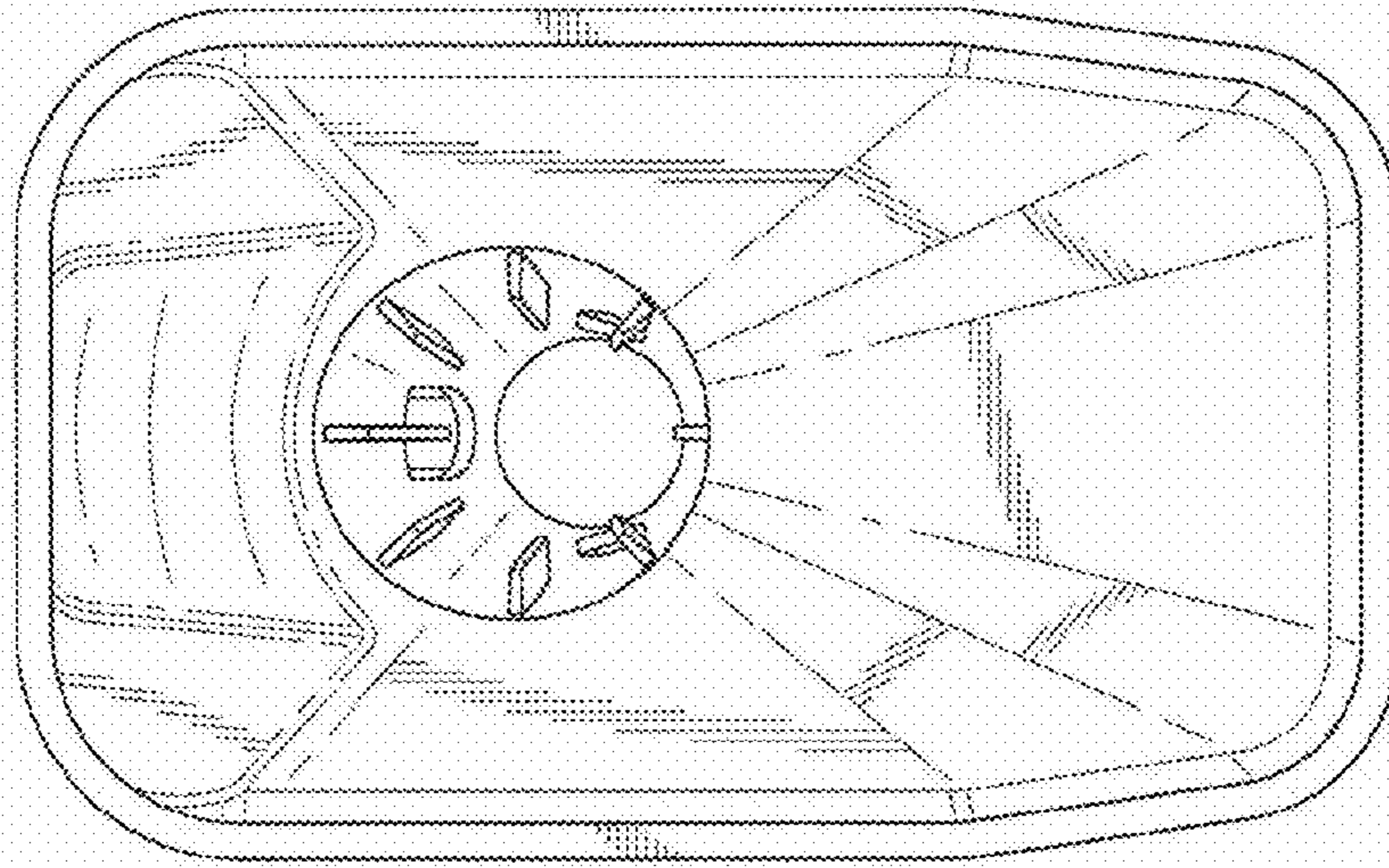


FIG. 11

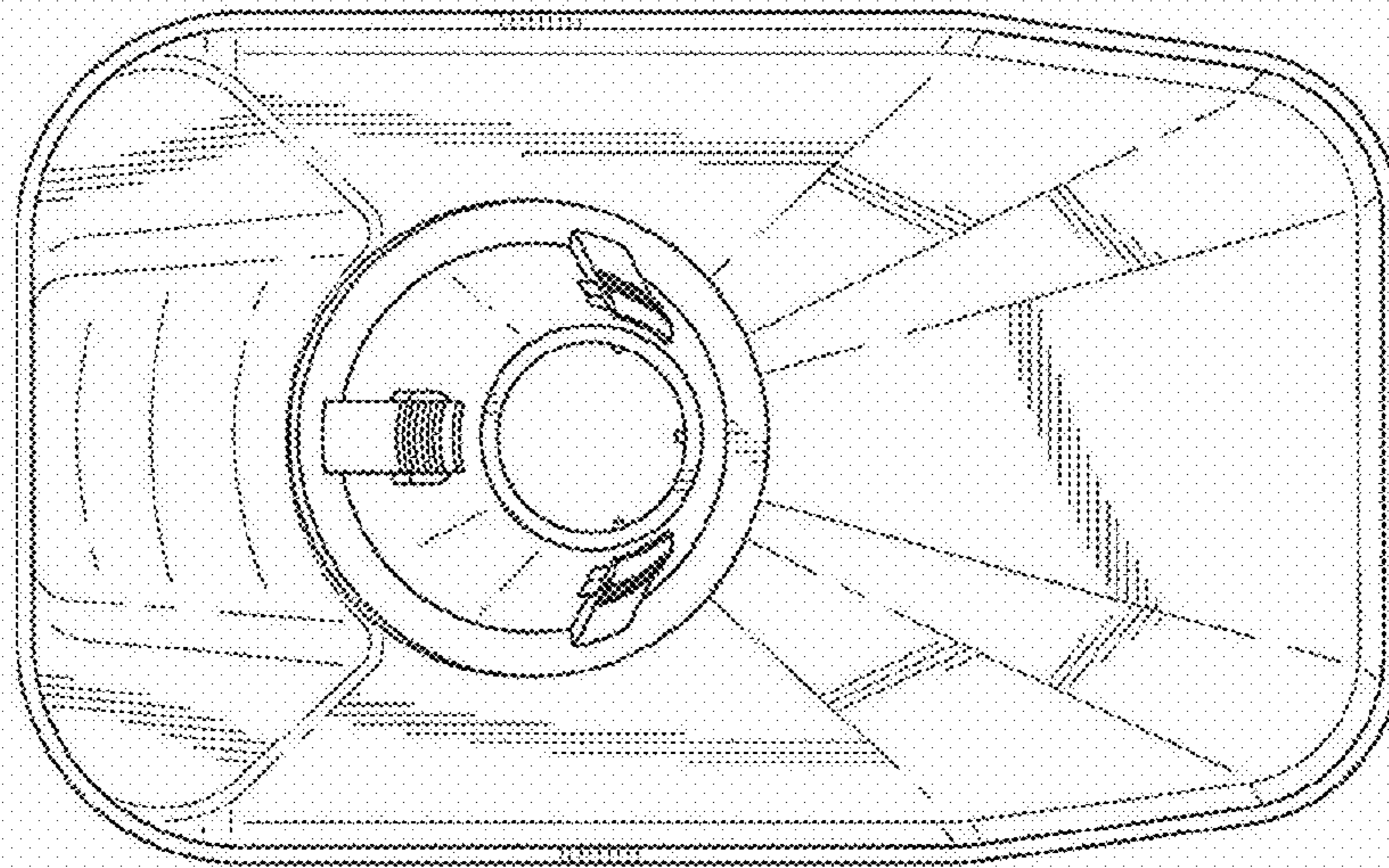


FIG. 12



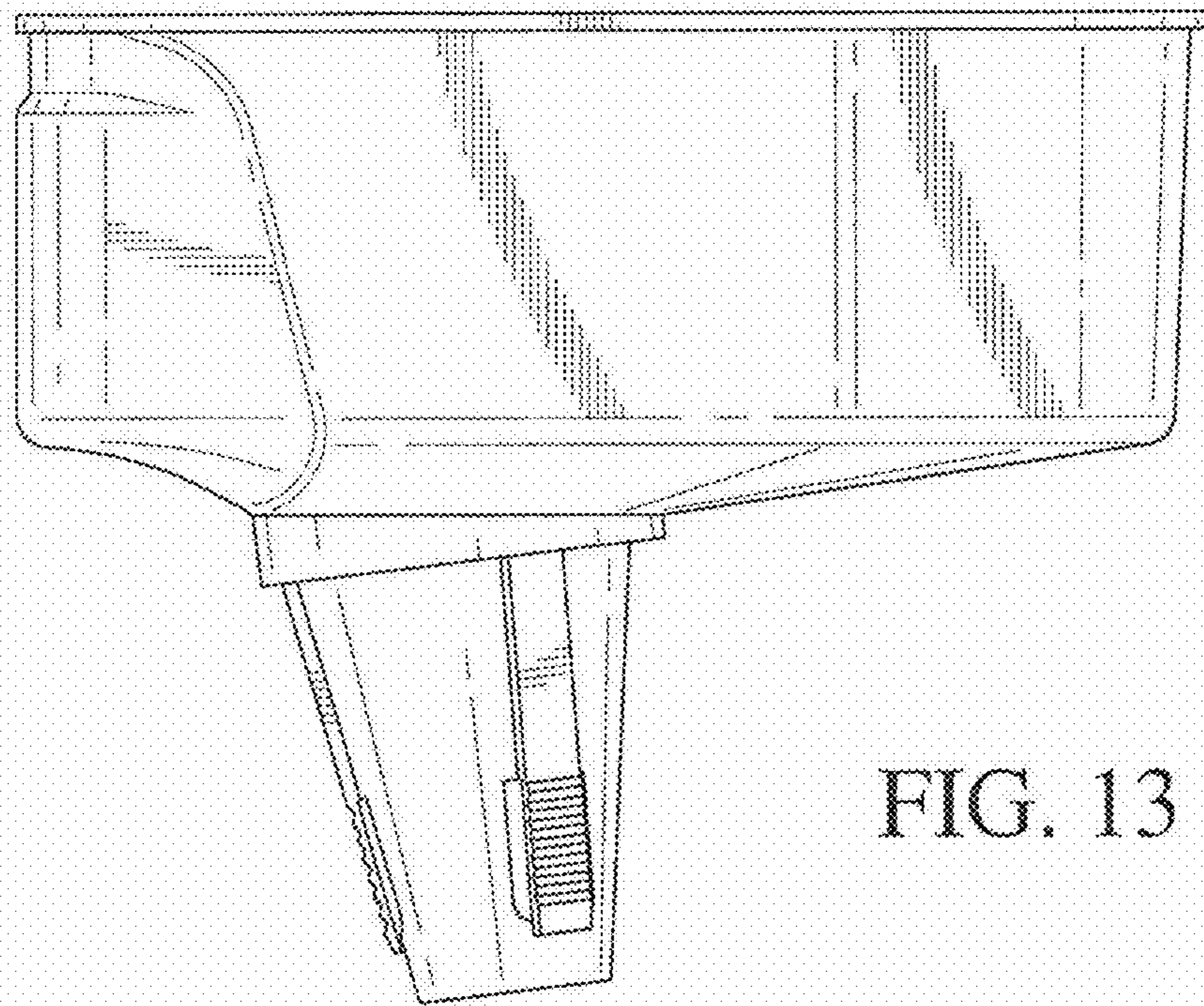


FIG. 13

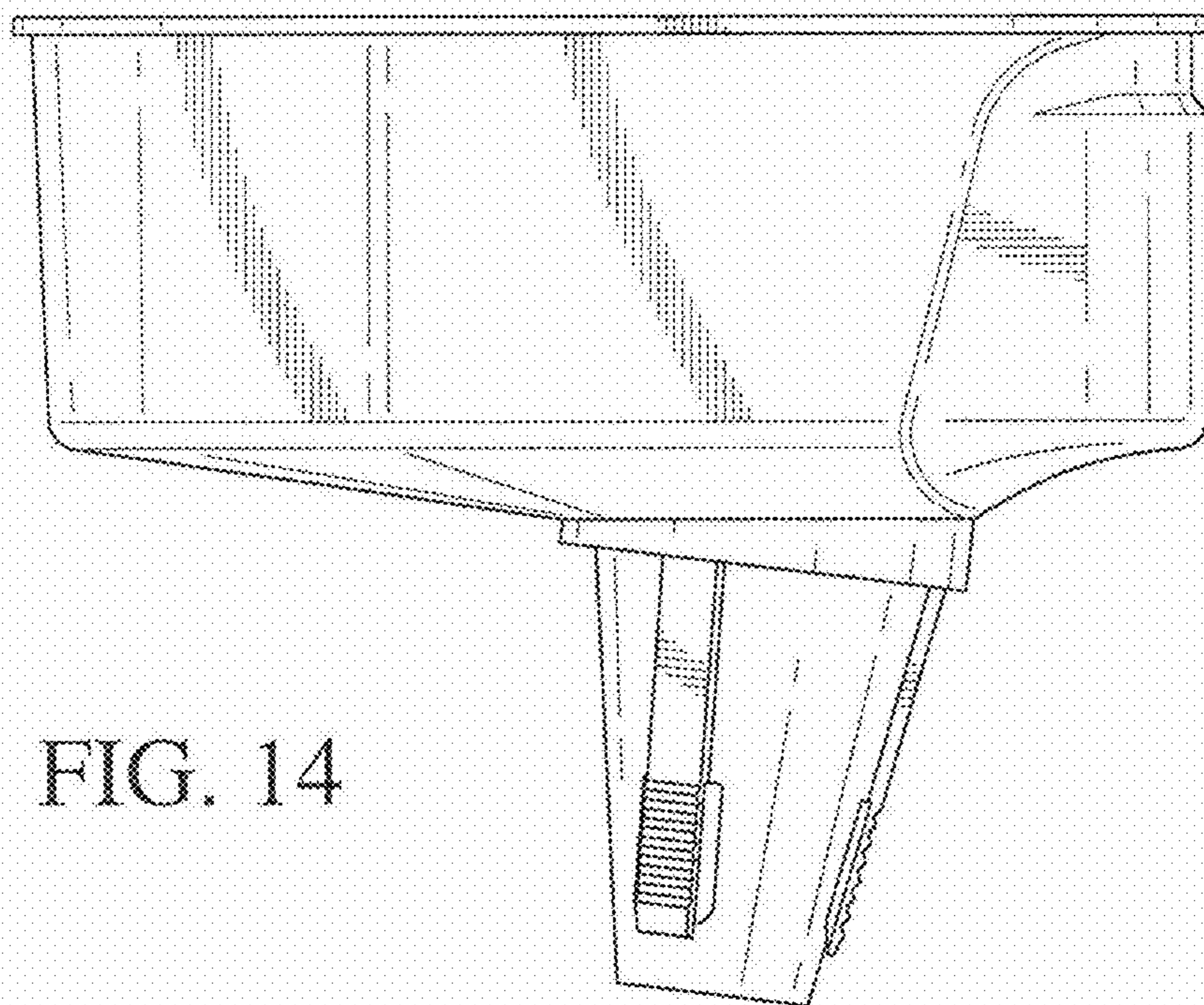


FIG. 14

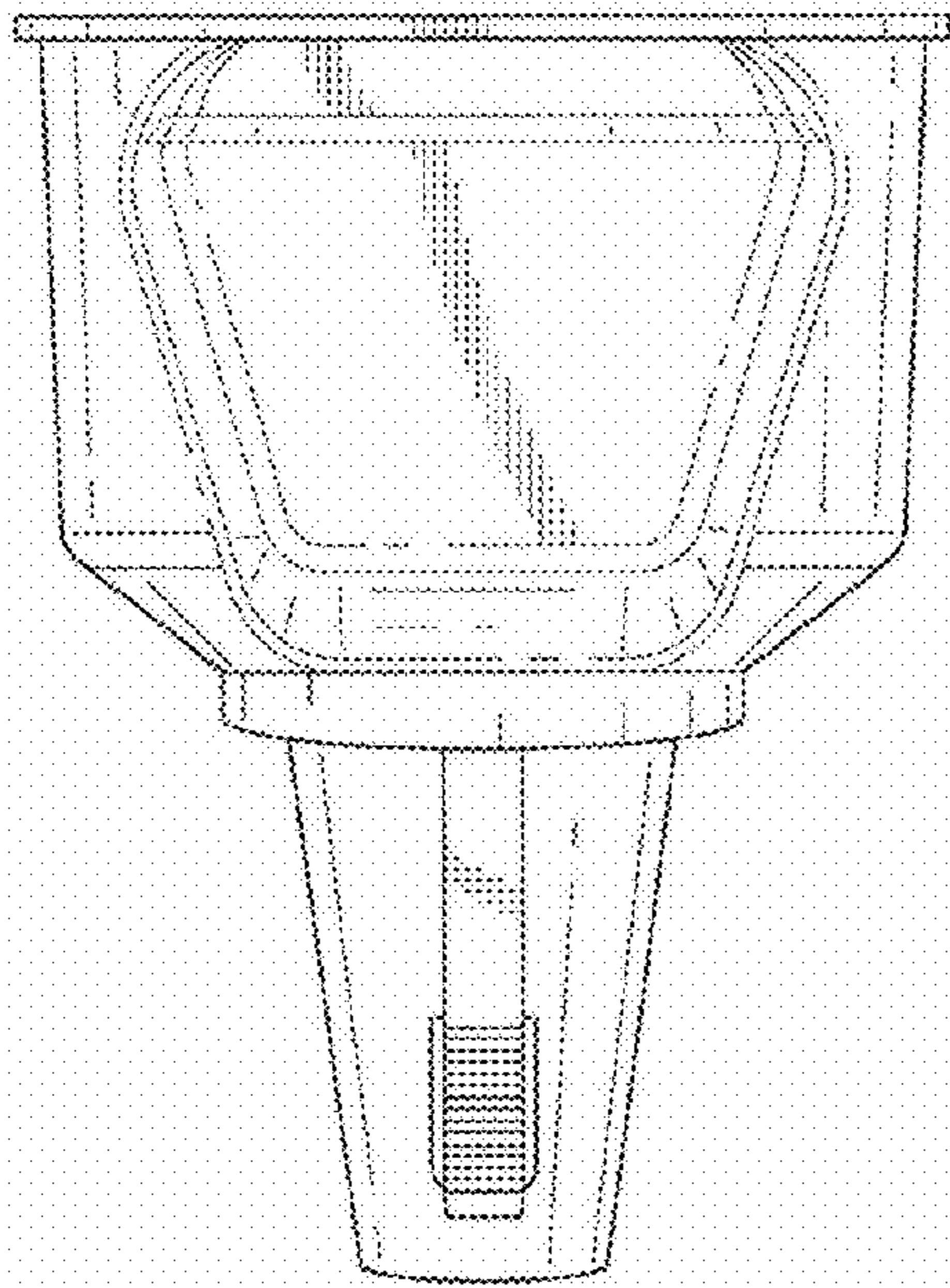


FIG. 15

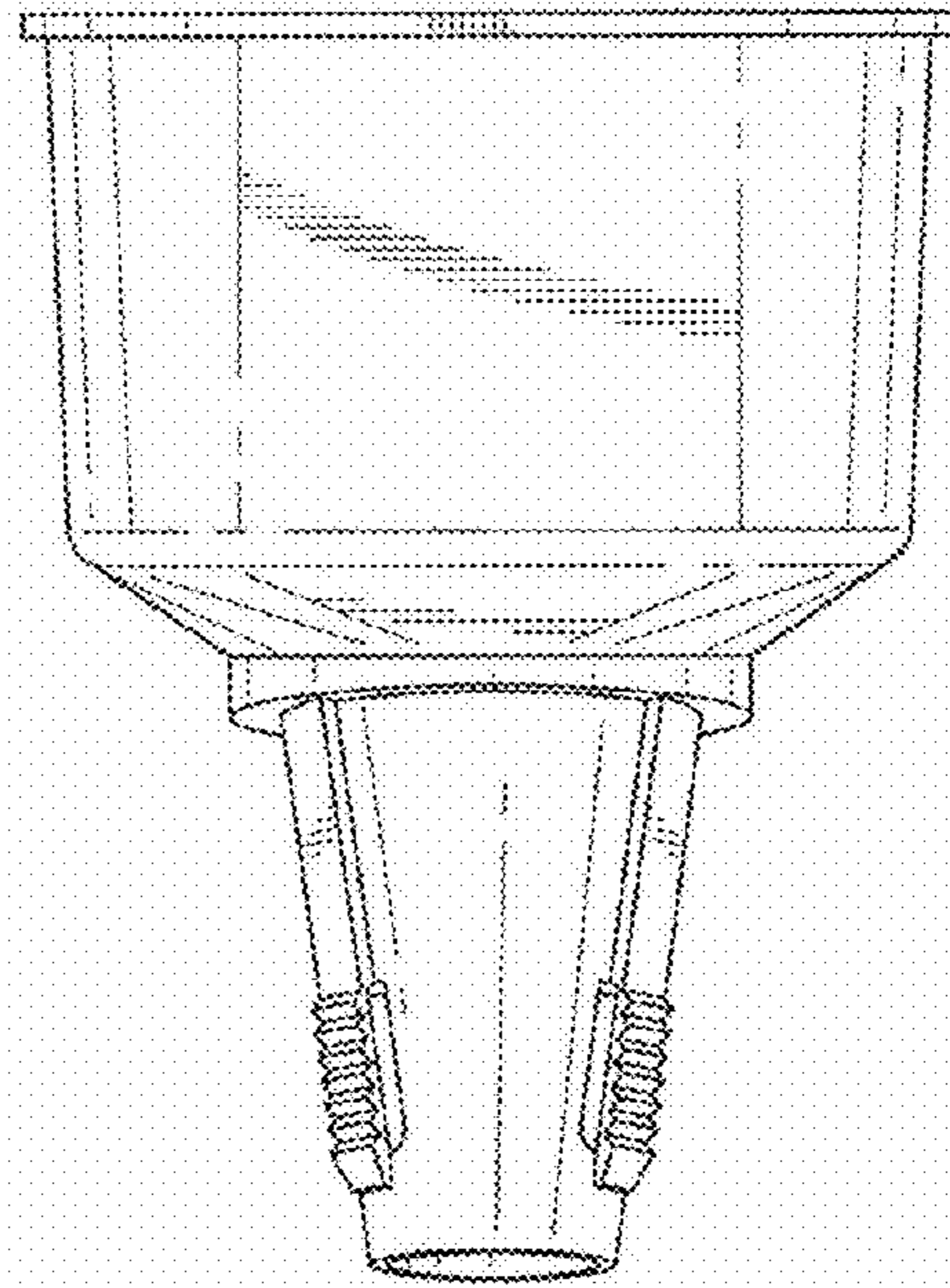


FIG. 16