



US00D762252S

(12) **United States Design Patent**  
**Osterhout et al.**

(10) **Patent No.:** **US D762,252 S**  
(45) **Date of Patent:** **\*\* Jul. 26, 2016**

(54) **OUTFEED TABLE**

(71) Applicant: **PACKSIZE LLC**, Salt Lake City, UT  
(US)

(72) Inventors: **Ryan Osterhout**, West Haven, UT (US);  
**Lennart Wikström**, Västerås (SE)

(73) Assignee: **Packsize LLC**, Salt Lake City, UT (US)

(\*\*) Term: **14 Years**

(21) Appl. No.: **29/490,477**

(22) Filed: **May 9, 2014**

(51) **LOC (10) Cl.** ..... **15-09**

(52) **U.S. Cl.**  
USPC ..... **D15/140**

(58) **Field of Classification Search**  
USPC ..... D6/656, 691; D15/122, 140  
See application file for complete search history.

(56) **References Cited**

**U.S. PATENT DOCUMENTS**

4,068,551	A *	1/1978	Kreitz	.....	B23D 47/025	108/48
4,106,381	A *	8/1978	Kreitz	.....	B23D 47/025	83/477.2
4,406,200	A *	9/1983	Kerr	.....	B23D 47/025	144/287
4,410,023	A *	10/1983	Vasquez	.....	B23Q 3/105	144/287
D292,154	S *	10/1987	Worrell	.....	D6/656.16	
4,759,168	A *	7/1988	Petersen	.....	A21C 15/04	53/516
4,934,423	A *	6/1990	Withrow	.....	B23D 47/025	144/286.1
D311,833	S *	11/1990	Newhouse	.....	D6/656.16	
5,105,698	A *	4/1992	Dunham	.....	B23D 47/025	144/242.1
D335,977	S *	6/1993	Fleischer	.....	D6/656.17	
5,379,816	A *	1/1995	Charlton	.....	B23D 47/025	108/69

D370,795	S *	6/1996	Skov	.....	D6/656.11	
D379,887	S *	6/1997	Muller-Deisig	.....	D6/644	
6,397,762	B1 *	6/2002	Goldberg	.....	A47B 21/06	108/50.02
6,668,696	B1 *	12/2003	Krohmer	.....	B23D 47/025	144/286.1
D486,013	S *	2/2004	Cesaroni	.....	D6/656.17	
D539,059	S *	3/2007	Vander Park	.....	D6/656	
7,543,614	B2 *	6/2009	Wise	.....	B25H 1/04	108/36
8,327,893	B2 *	12/2012	Jesberger	.....	B23D 47/025	144/286.1
D688,901	S *	9/2013	Colson	.....	D6/656	

\* cited by examiner

*Primary Examiner* — Patricia Palasik

(74) *Attorney, Agent, or Firm* — Workman Nydegger

(57) **CLAIM**

The ornamental design for an outfeed table, as shown and described.

**DESCRIPTION**

FIG. 1 is a perspective view of an outfeed table showing our new design;

FIG. 2 is a front side elevational view of the outfeed table, as shown in FIG. 1;

FIG. 3 is a back side elevational view of the outfeed table, as shown in FIG. 1;

FIG. 4 is a right side elevational view of the outfeed table, as shown in FIG. 1;

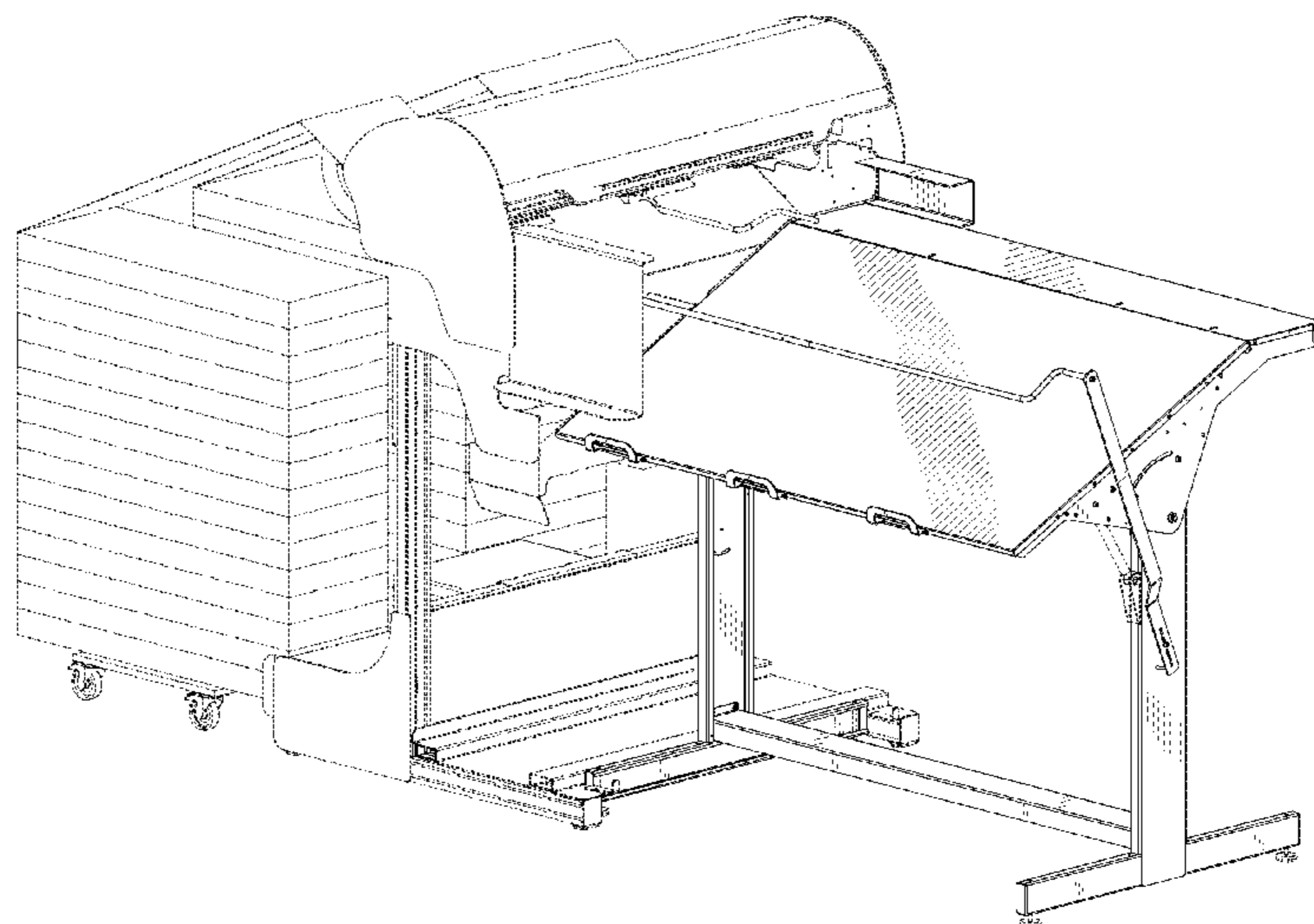
FIG. 5 is a left side elevational view of the outfeed table, as shown in FIG. 1;

FIG. 6 is a top plan view of the outfeed table, as shown in FIG. 1; and,

FIG. 7 is a bottom plan view of the outfeed table, as shown in FIG. 1.

The broken lines shown in the figures are for illustrative purposes only and form no part of the claimed design. The broken lines in the drawings depict unclaimed environmental subject matter.

**1 Claim, 6 Drawing Sheets**



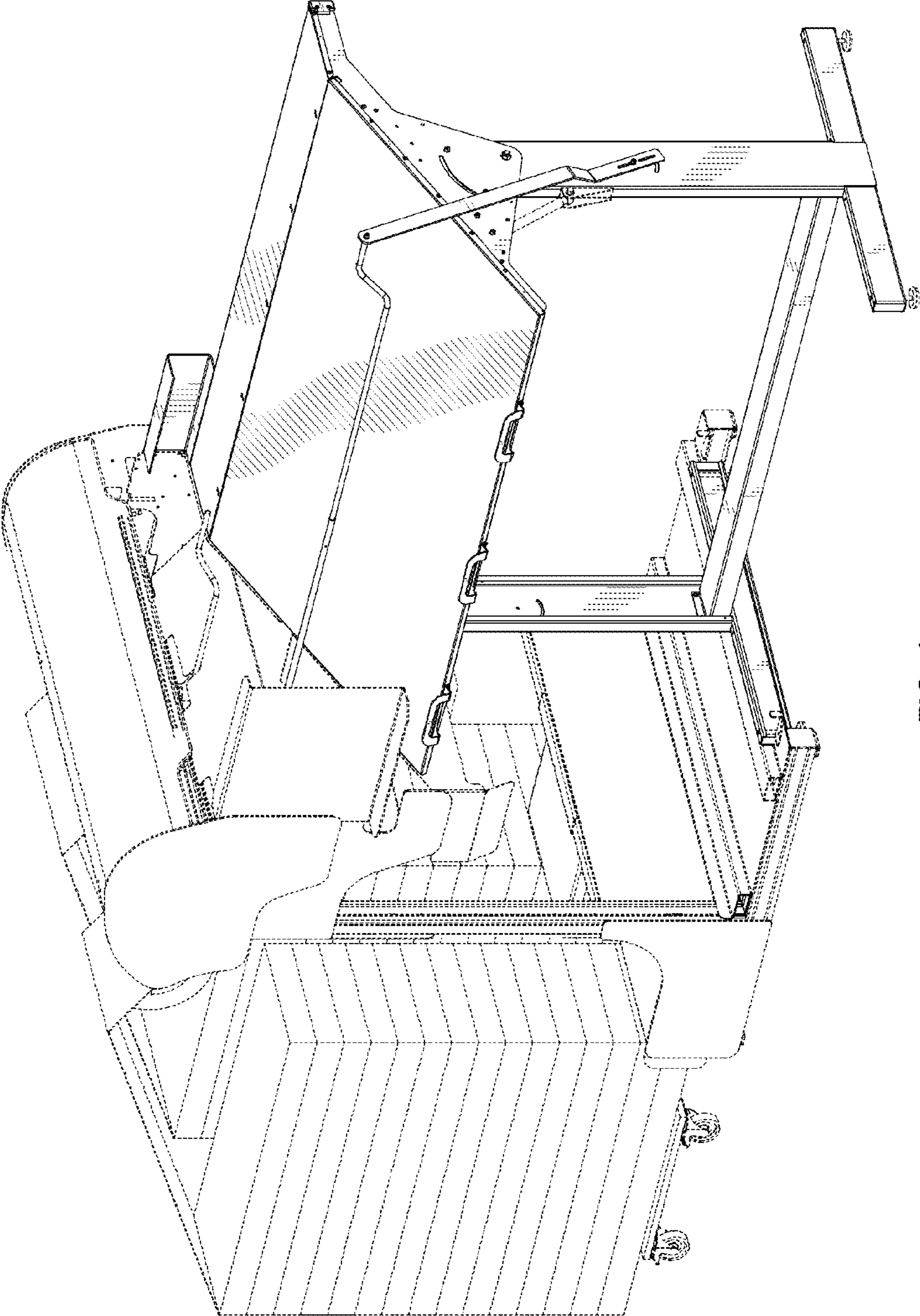


FIG. 1

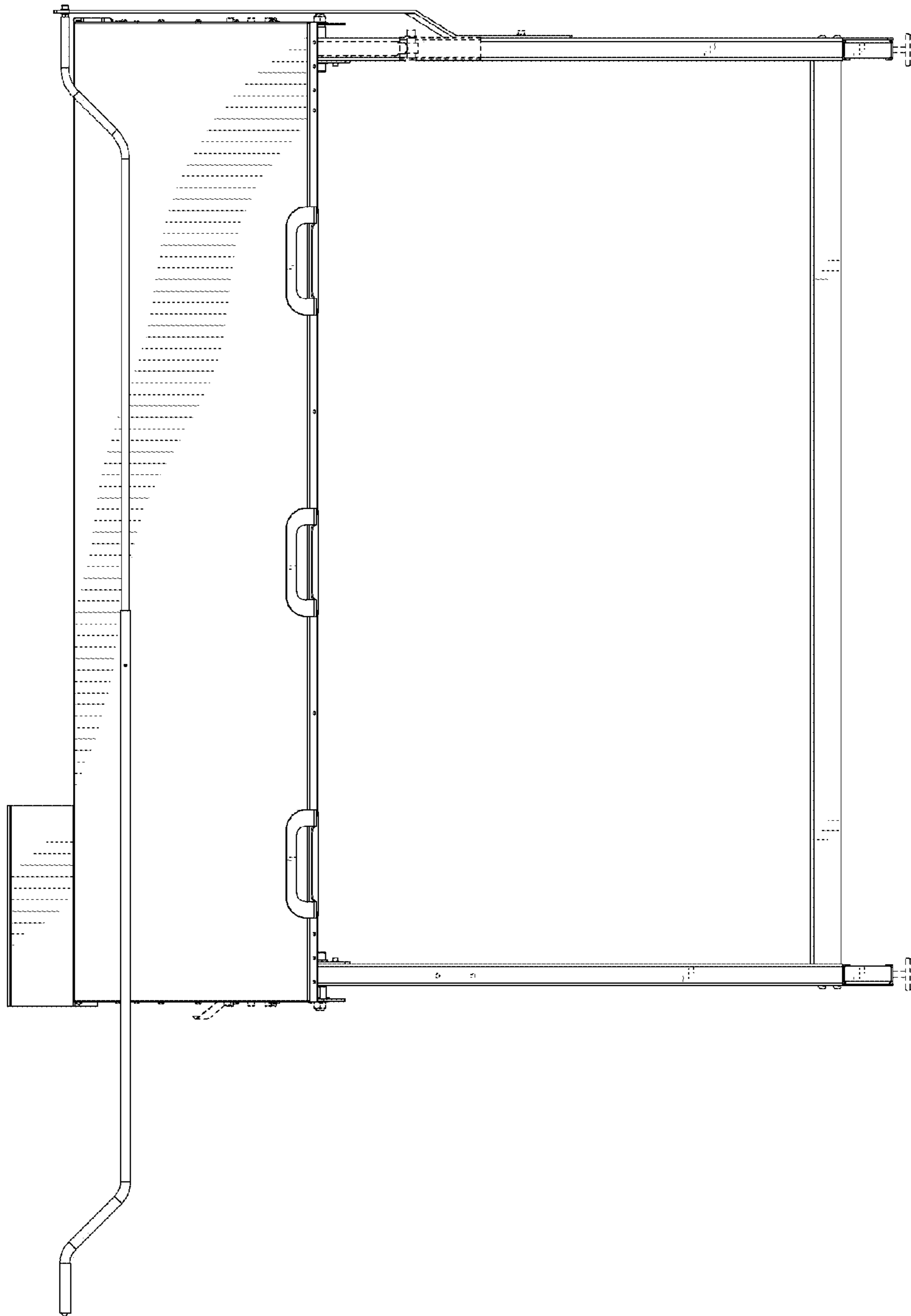


FIG. 2

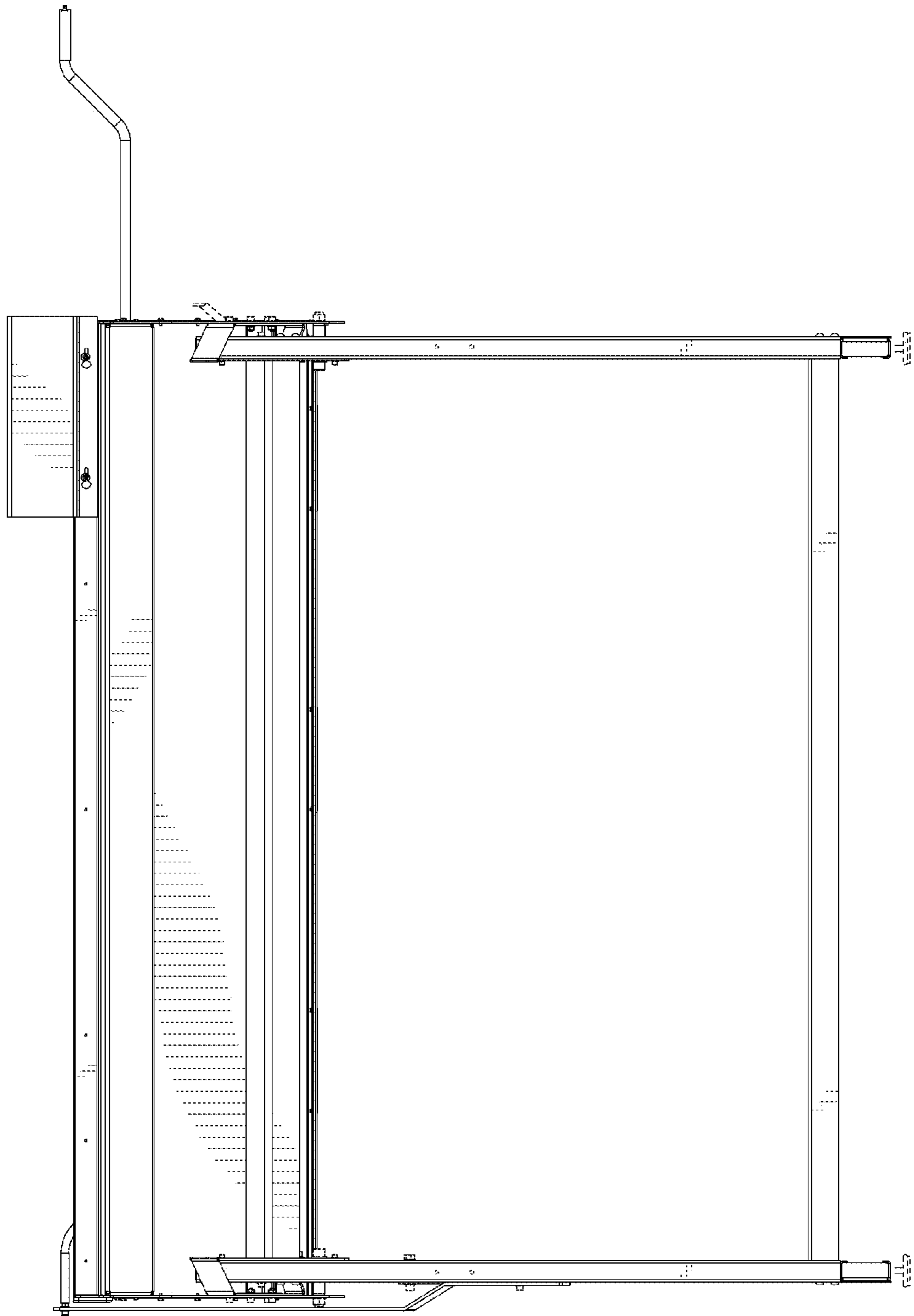


FIG. 3

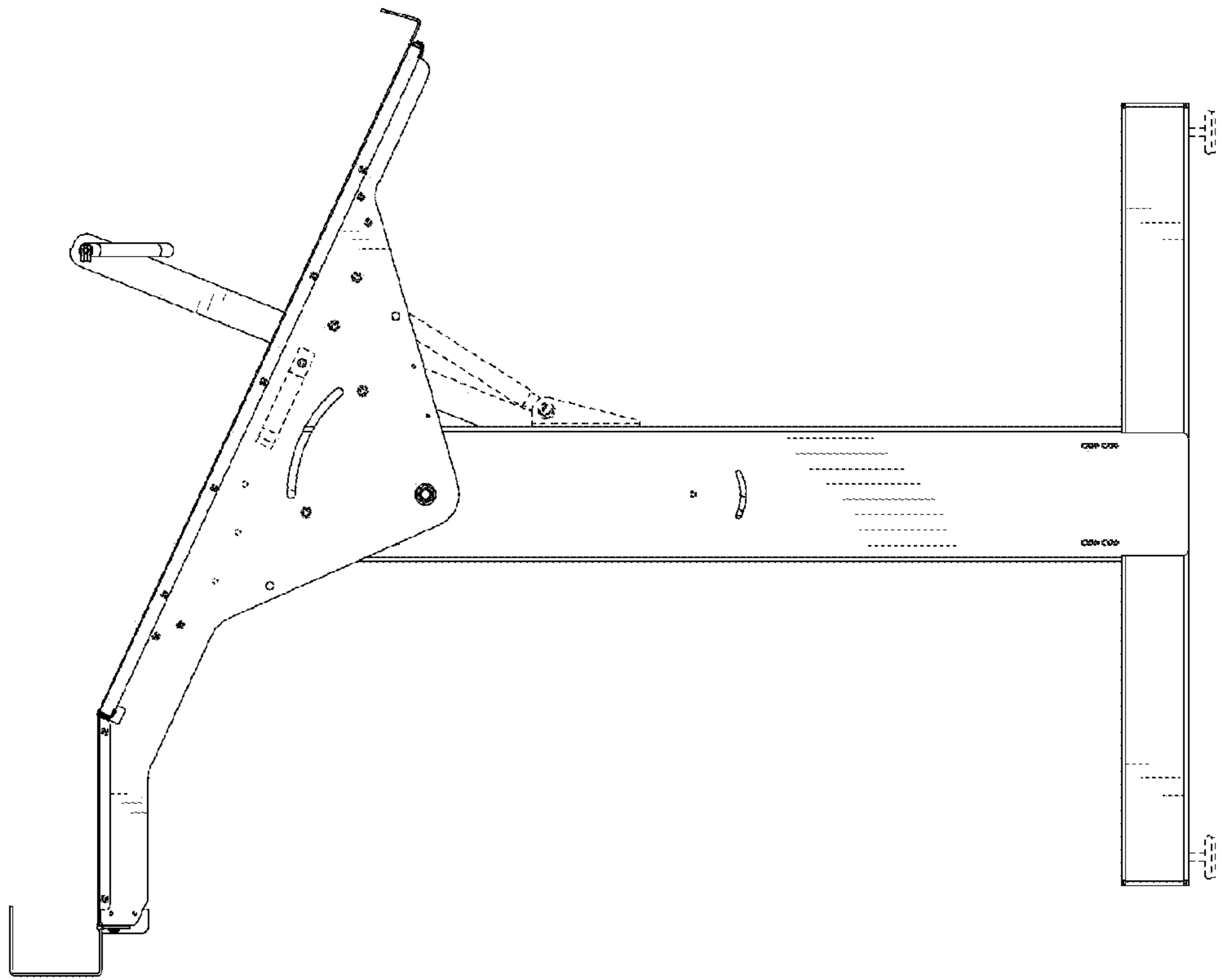


FIG. 5

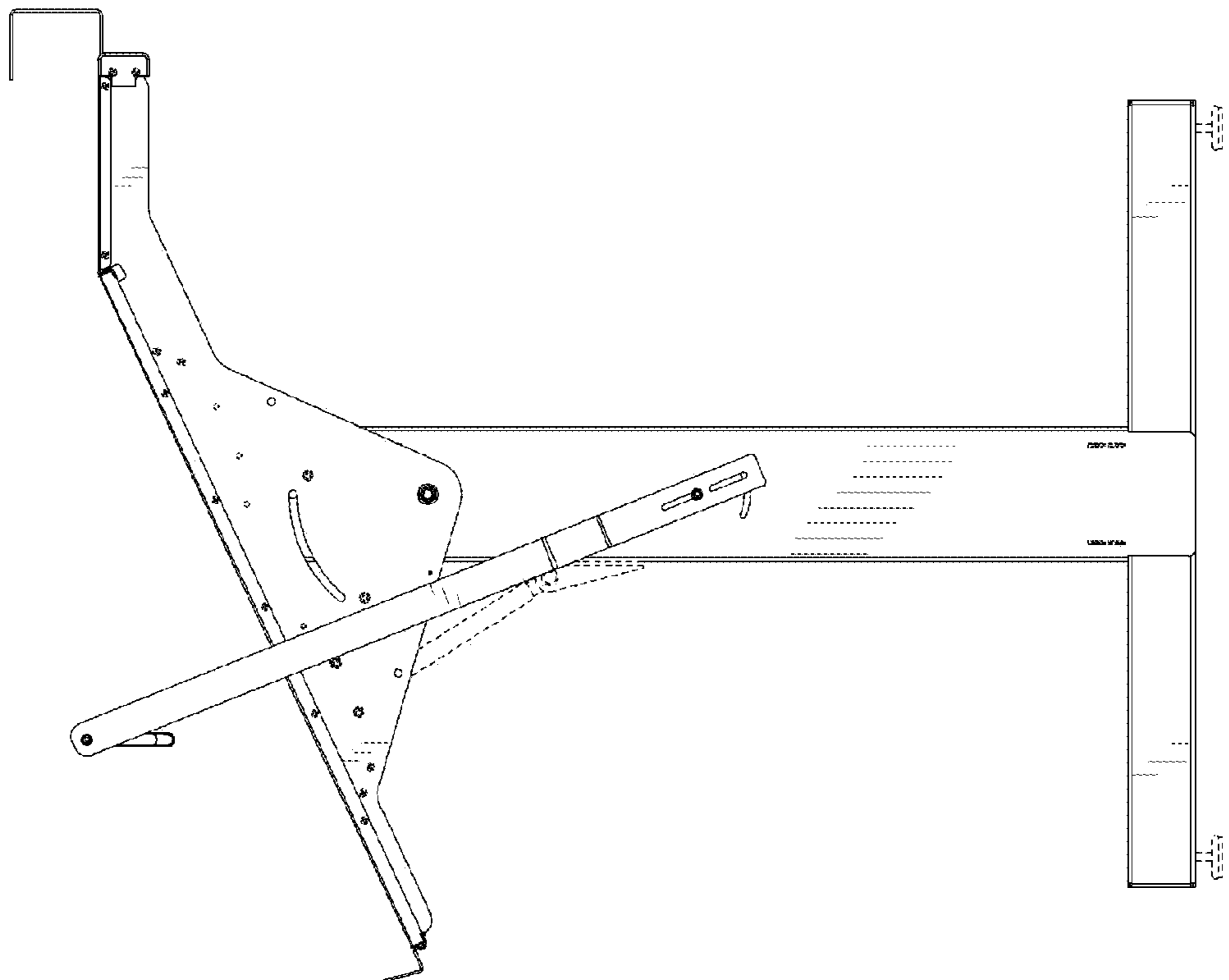


FIG. 4

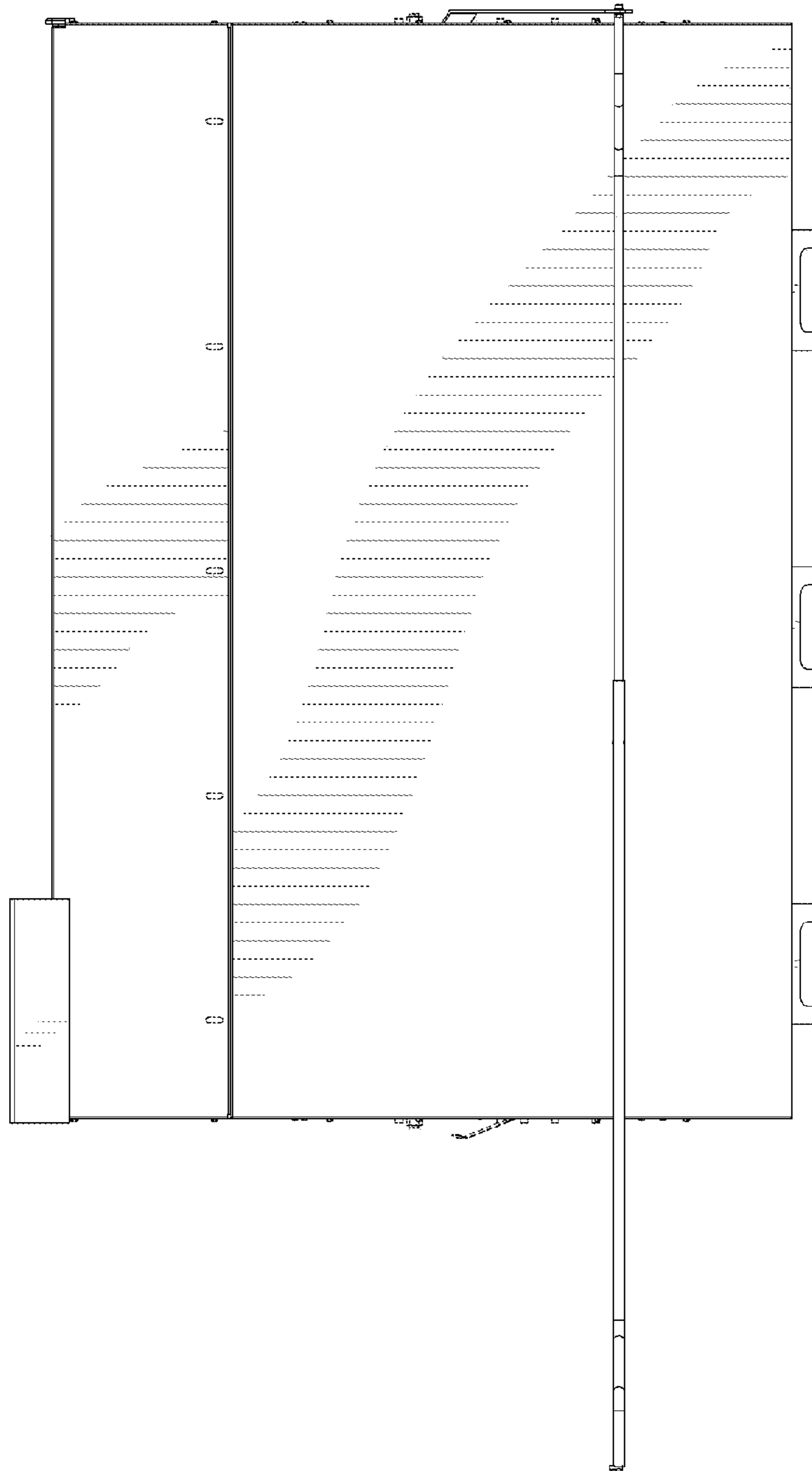


FIG. 6

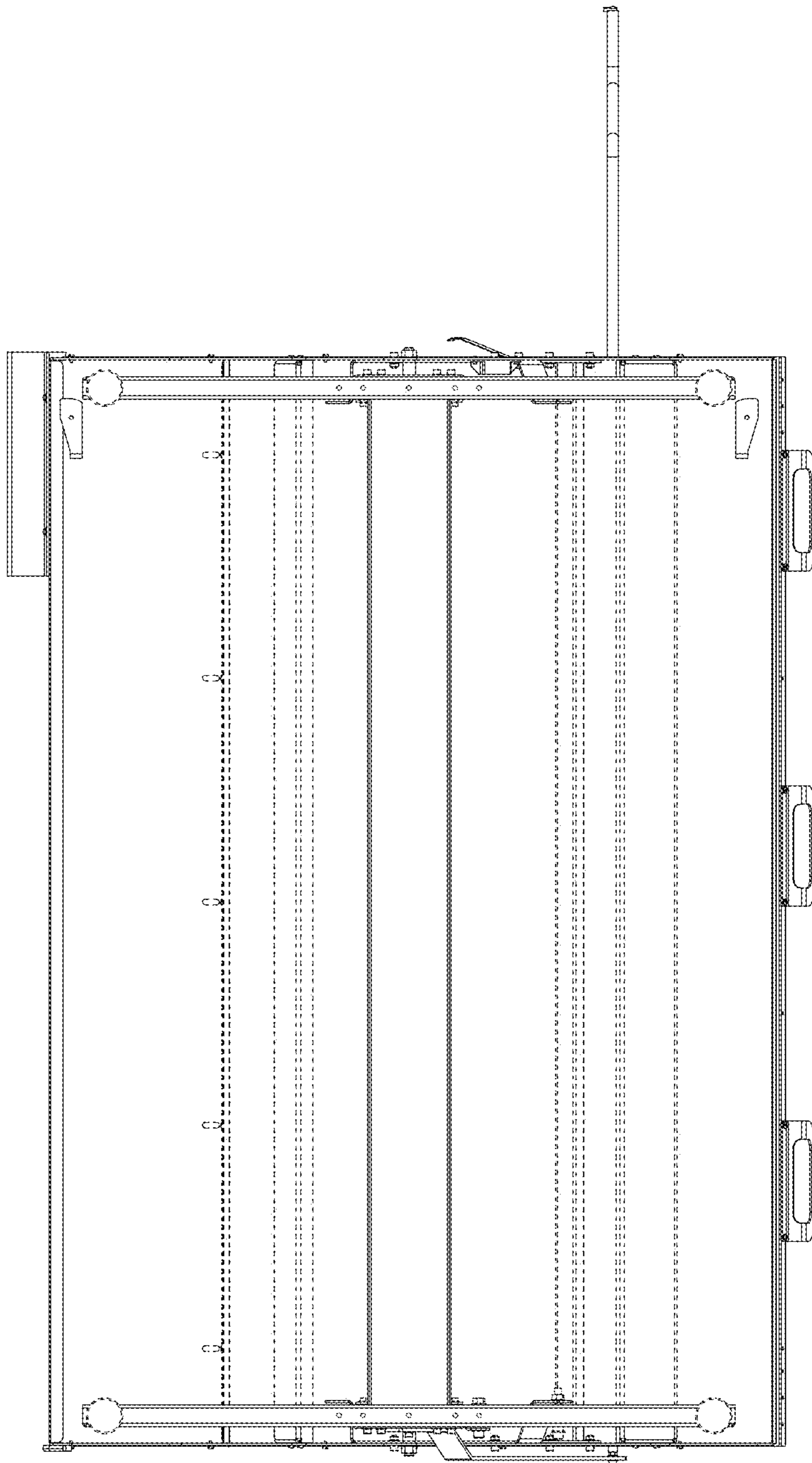


FIG. 7