

US00D762248S

(12) **United States Design Patent**
Steinhardt et al.

(10) **Patent No.:** **US D762,248 S**
(45) **Date of Patent:** **** Jul. 26, 2016**

- (54) **CAB FOR MINING MACHINE**
- (71) Applicant: **Harnischfeger Technologies, Inc.**,
Wilmington, DE (US)
- (72) Inventors: **Tyler M. Steinhardt**, Grafton, WI (US);
Joseph J. Colwell, Hubertus, WI (US);
Dan De Lay, Muskego, WI (US); **Ryan**
M. Boyd, West Bend, WI (US); **Rikos A.**
Kasim, Mukwonago, WI (US)
- (73) Assignee: **Harnischfeger Technologies, Inc.**,
Wilmington, DE (US)
- (**) Term: **14 Years**
- (21) Appl. No.: **29/510,849**
- (22) Filed: **Dec. 3, 2014**
- (51) **LOC (10) Cl.** **15-03**
- (52) **U.S. Cl.**
USPC **D15/30**
- (58) **Field of Classification Search**
USPC D15/28, 30, 31, 22-26; D34/37;
180/89.11, 89.12, 89.13, 89.19, 900
CPC B66C 13/54; E02F 9/16; E02F 9/163;
B62D 33/0617; B60J 7/00; B60J 1/004
See application file for complete search history.

D433,689 S *	11/2000	Kraft	D15/25
D436,605 S *	1/2001	Shaw	D15/25
D481,044 S *	10/2003	Tokach	D15/30
D494,986 S *	8/2004	Tokach	D15/30
D523,029 S *	6/2006	Crawford	D15/30
D523,875 S *	6/2006	Kim	D15/30
D538,305 S *	3/2007	Smith	D15/30
D548,753 S *	8/2007	Kim	D15/30
D555,677 S *	11/2007	Kuwae	D15/30
D577,040 S *	9/2008	Kim	D15/30
D594,037 S *	6/2009	Uemura	D15/30
D607,904 S *	1/2010	Reisenauer	D15/30
D607,905 S *	1/2010	Reisenauer	D15/30

* cited by examiner

Primary Examiner — Mark Goodwin

(74) *Attorney, Agent, or Firm* — Michael Best & Friedrich LLP

(57) **CLAIM**

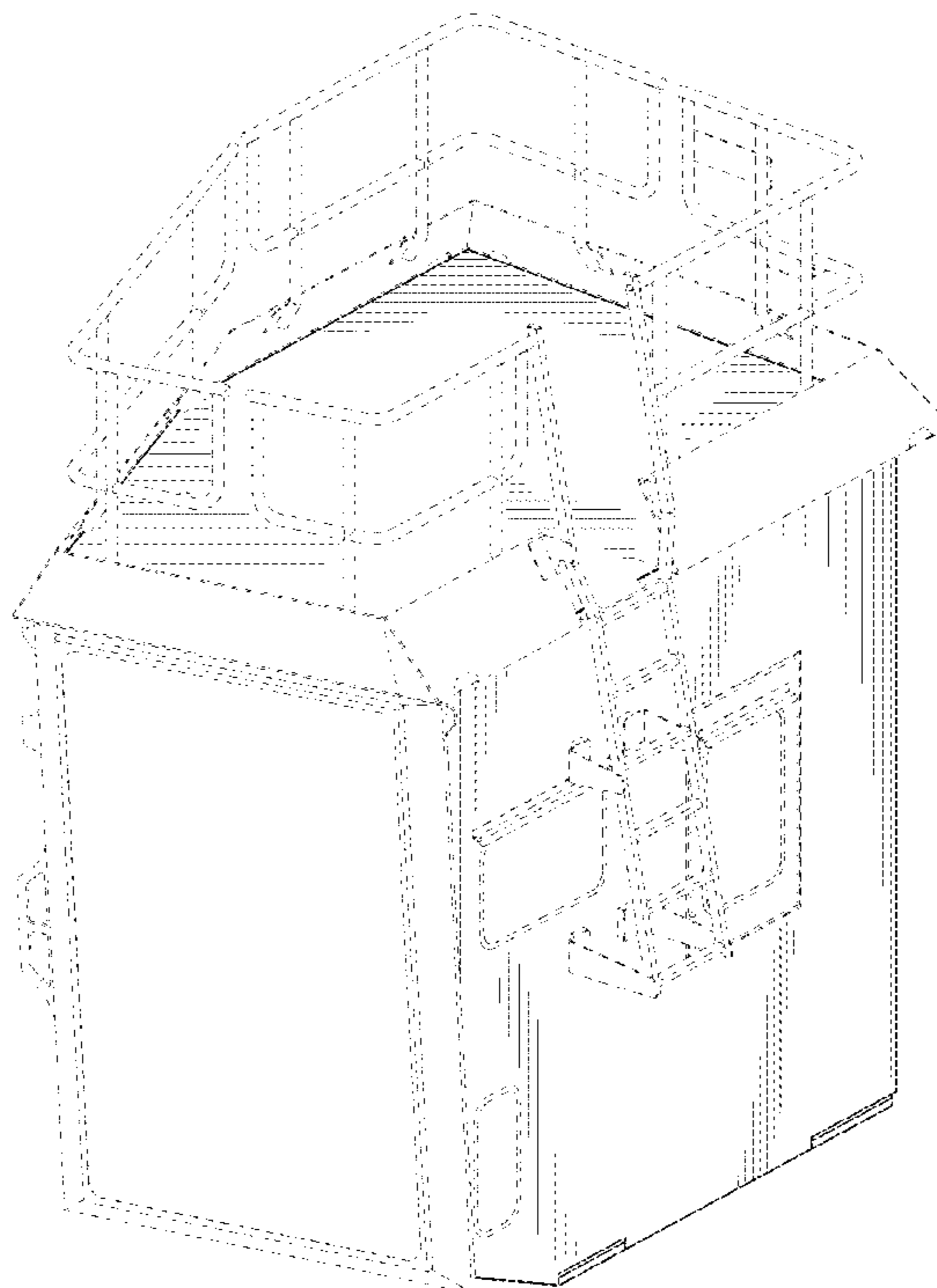
We claim the ornamental design for a cab for mining machine, as shown and described in FIGS. 1-7.

DESCRIPTION

FIG. 1 is a perspective view of a cab showing our new design. FIG. 2 is a right side view of the cab shown in FIG. 1. FIG. 3 is a left side view of the cab shown in FIG. 1. FIG. 4 is a front view of the cab shown in FIG. 1. FIG. 5 is a back view of the cab shown in FIG. 1. FIG. 6 is a top view of the cab shown in FIG. 1; and, FIG. 7 is a bottom view of the cab shown in FIG. 1. The elements shown in broken lines are included for the purpose of illustrating environment and form no part of the claimed design.

1 Claim, 7 Drawing Sheets

- (56) **References Cited**
U.S. PATENT DOCUMENTS
D432,144 S * 10/2000 Kraft D15/25
D432,145 S * 10/2000 Kraft D15/25



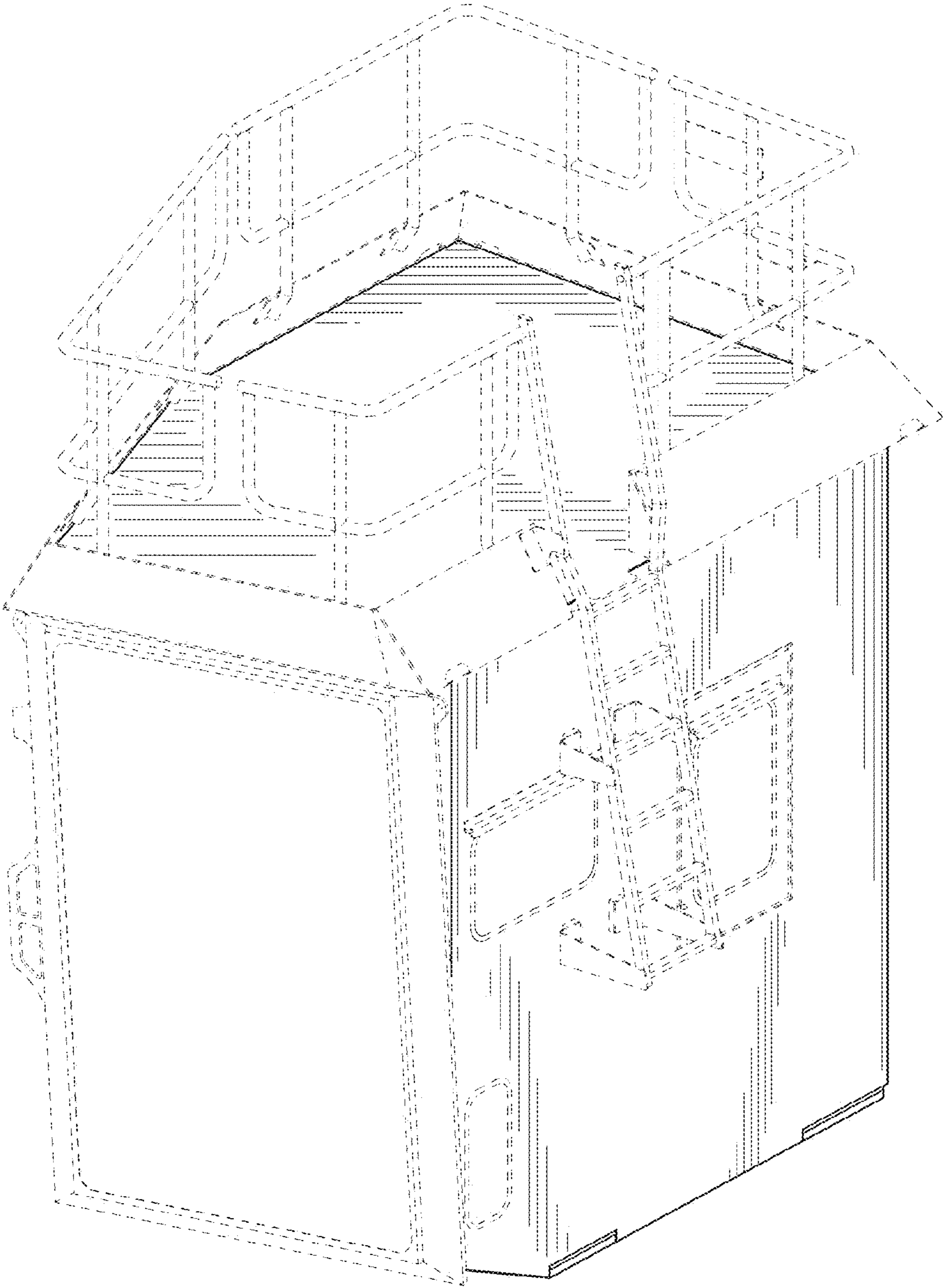


FIG. 1

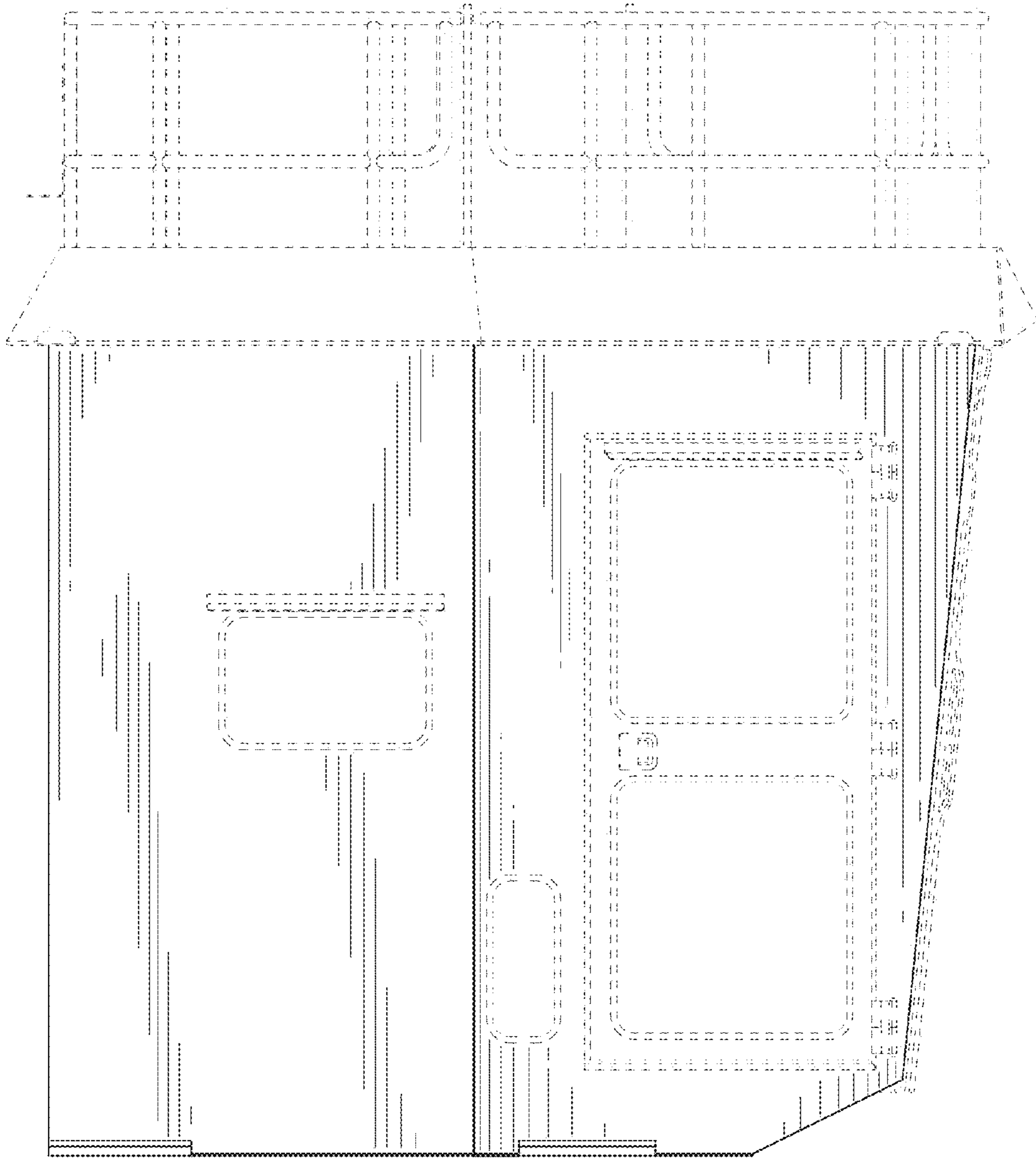


FIG. 2

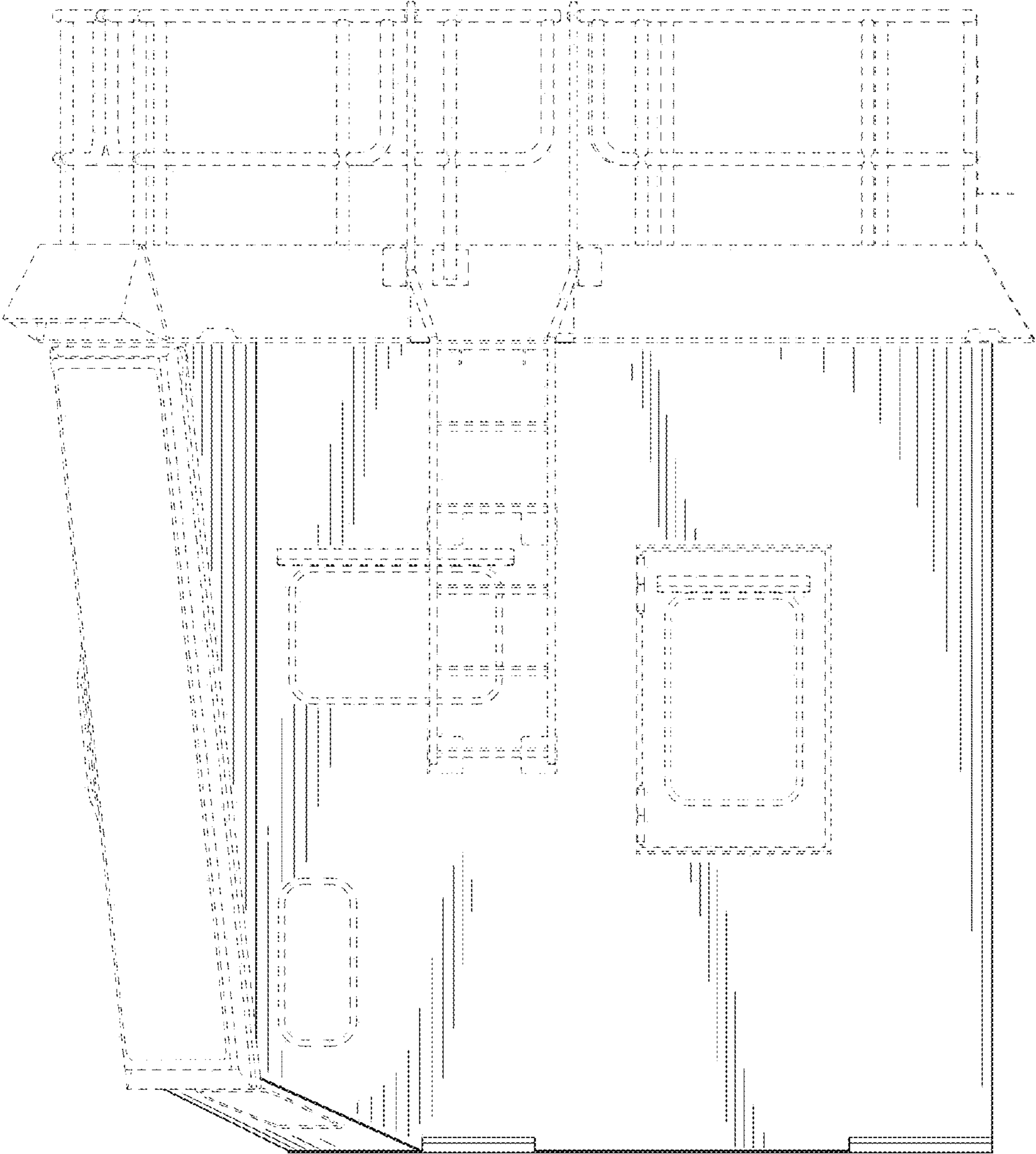


FIG. 3

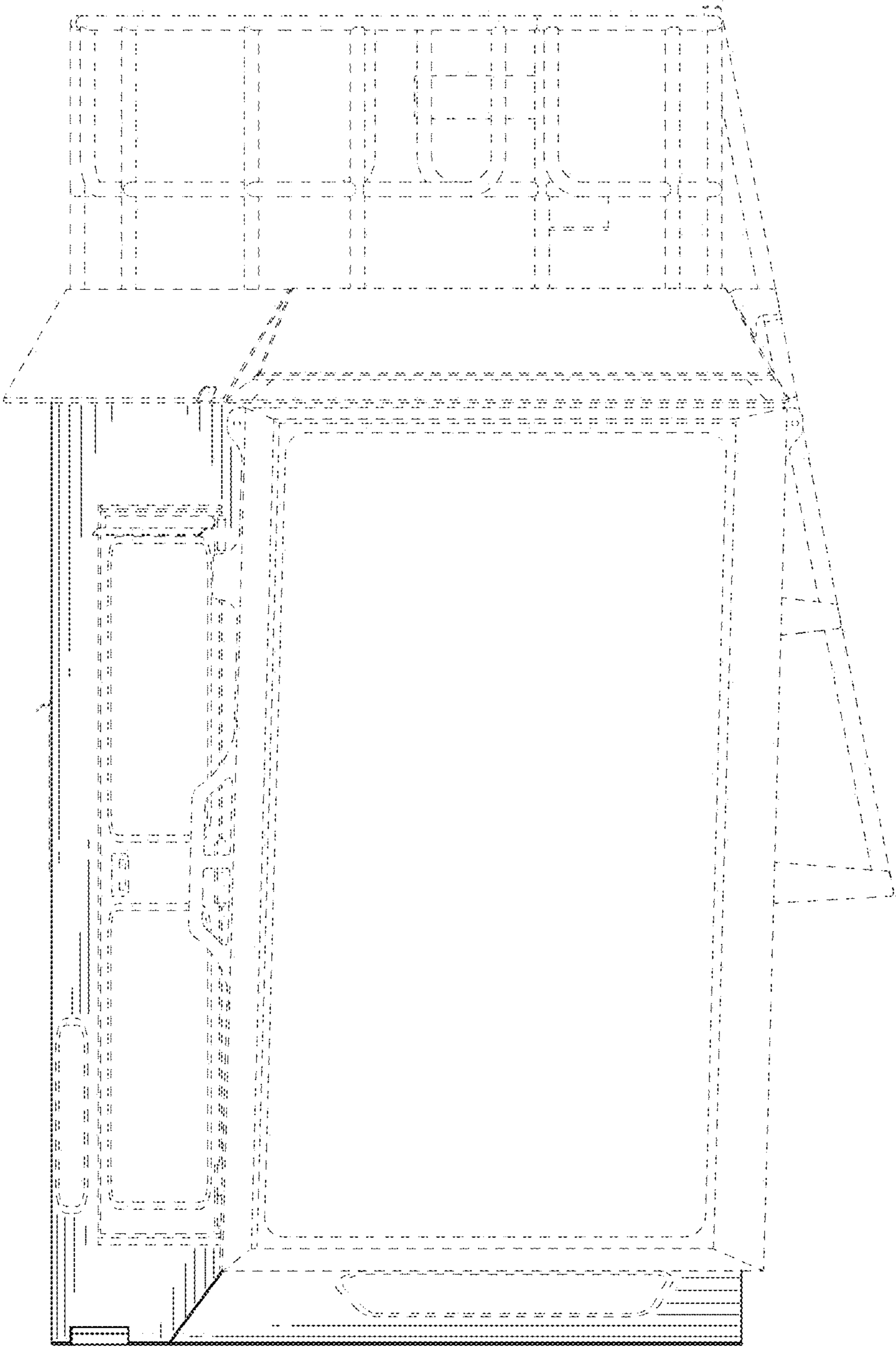


FIG. 4

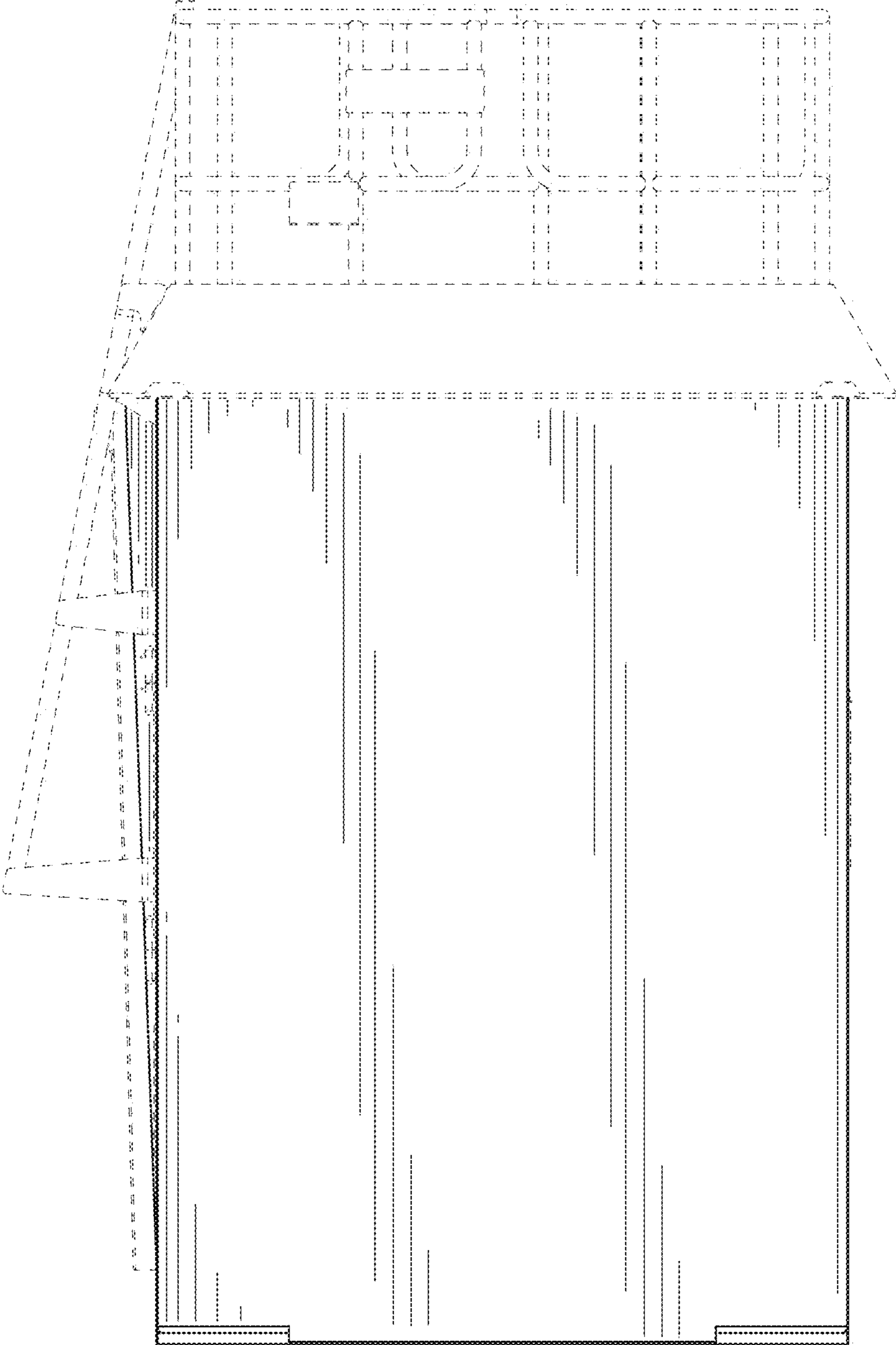


FIG. 5

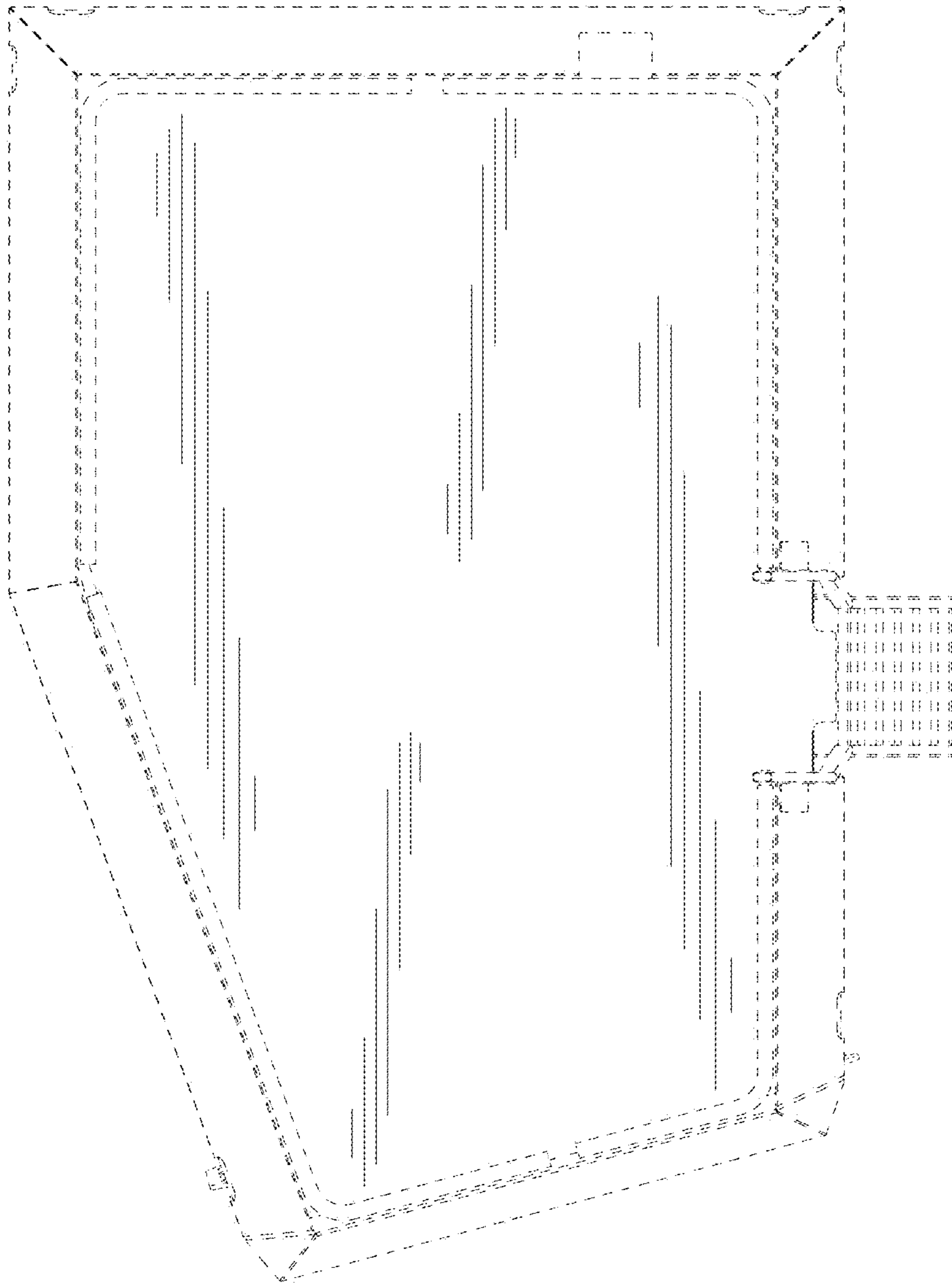


FIG. 6

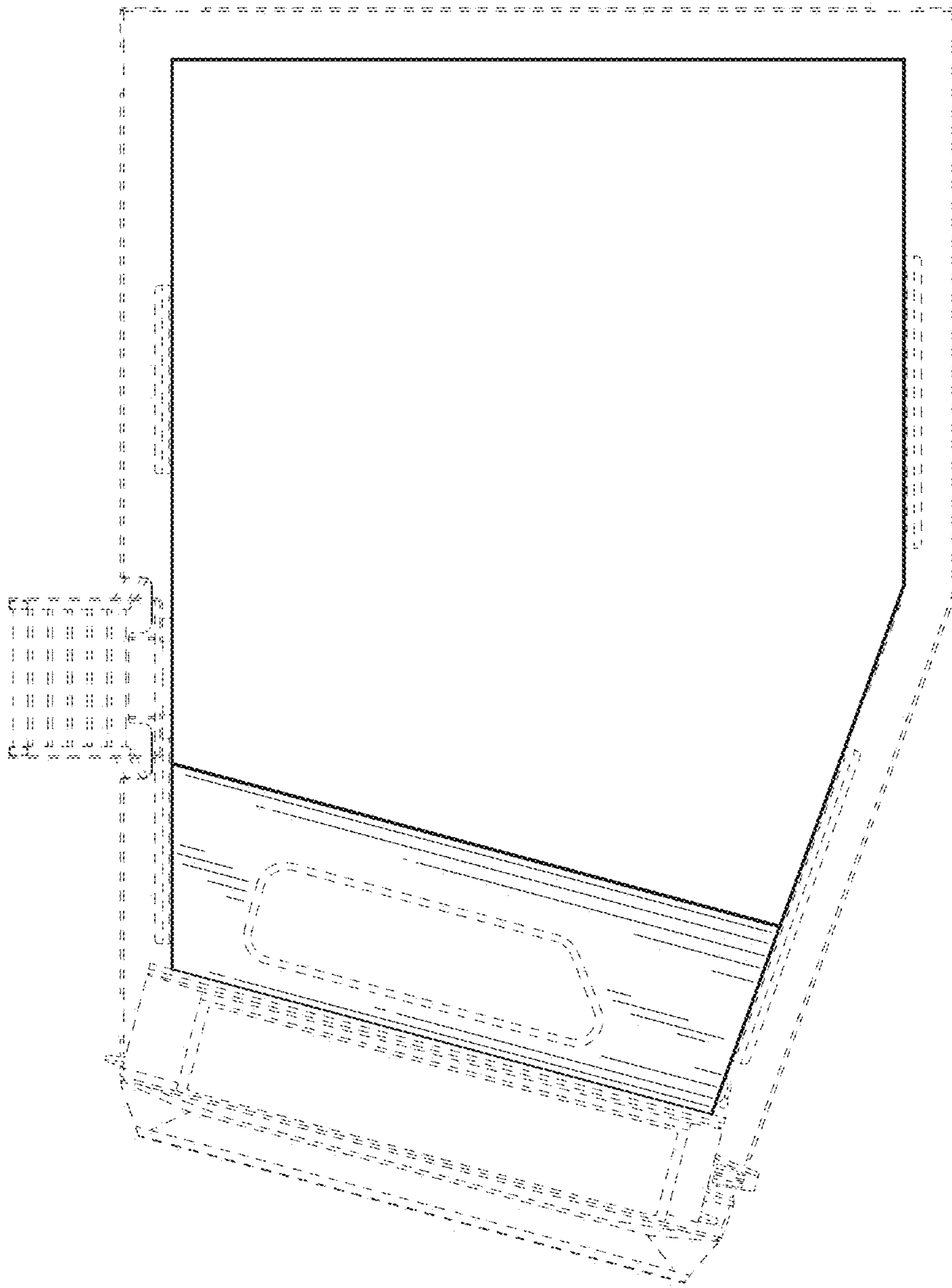


FIG. 7