

US00D762242S

(12) **United States Design Patent**
Fujimaki et al.

(10) **Patent No.:** **US D762,242 S**
(45) **Date of Patent:** **** Jul. 26, 2016**

(54) **DISPLAY SCREEN WITH GRAPHICAL USER INTERFACE**

(71) Applicant: **Toyota Jidosha Kabushiki Kaisha**,
Toyota-shi, Aichi-ken (JP)

(72) Inventors: **Yusuke Fujimaki**, Nisshin (JP);
Christophe Gillet, Levis St Nom (FR);
Jonathan Bailey, Brussels (BE)

(73) Assignee: **Toyota Jidosha Kabushiki Kaisha** (JP)

(**) Term: **14 Years**

(21) Appl. No.: **29/521,848**

(22) Filed: **Mar. 26, 2015**

(51) **LOC (10) Cl.** **14-04**

(52) **U.S. Cl.**
USPC **D14/489**

(58) **Field of Classification Search**
USPC D14/485–495
CPC G06T 13/80; G06T 15/02; H04N 1/00424;
G06F 3/04817; G06F 3/0481; G01C 21/36
See application file for complete search history.

(56) **References Cited**

U.S. PATENT DOCUMENTS

5,712,782	A *	1/1998	Weigelt	A01B 79/005 701/24
6,085,135	A *	7/2000	Steckel	A01B 79/005 340/988
7,236,089	B2 *	6/2007	Ono	B60K 35/00 340/438
7,337,023	B2 *	2/2008	Diekhans	A01D 41/127 700/52
D609,715	S *	2/2010	Chaudhri	D14/486
D616,461	S *	5/2010	Dahm	D14/492
D685,386	S *	7/2013	Makhlouf	D14/486
D689,094	S *	9/2013	Nakaoka	D14/489
D692,447	S *	10/2013	Marshall	D14/486
D692,918	S *	11/2013	Ridl	D14/492
D712,421	S *	9/2014	Inose	D14/486

D729,265	S *	5/2015	Mariet	D14/486
D730,372	S *	5/2015	Mariet	D14/486
D730,923	S *	6/2015	Mariet	D14/486
D730,935	S *	6/2015	Franganillo	D14/492
D740,321	S *	10/2015	Bray	D14/492
D749,627	S *	2/2016	Haase	D14/489
2014/0142799	A1 *	5/2014	Ferguson	G05D 1/00 701/23
2014/0298259	A1 *	10/2014	Meegan	G06F 3/04817 715/810
2015/0007052	A1 *	1/2015	Dumans	H04L 51/22 715/752
2015/0058740	A1 *	2/2015	Asahi	G08C 17/02 715/740
2015/0067102	A1 *	3/2015	Tsarkova	H04N 21/21805 709/217
2015/0121309	A1 *	4/2015	Reed	G06F 3/0481 715/824

OTHER PUBLICATIONS

Samsung and Android 5.0: What does Lollipop bring to your Galaxy S5? [online]. pocket-lint, Monday, Feb. 16, 2015 [retrieved on Mar. 15, 2016]. Retrieved from the Internet:< http://www.pocket-lint.com/news/132665-samsung-and-android-5-0-what-does-lollipop-bring-to-your-galaxy-s5#disqus_thread>.*

(Continued)

Primary Examiner — Eric Goodman

Assistant Examiner — Sloan Rozin

(74) *Attorney, Agent, or Firm* — Saidman DesignLaw Group, LLC

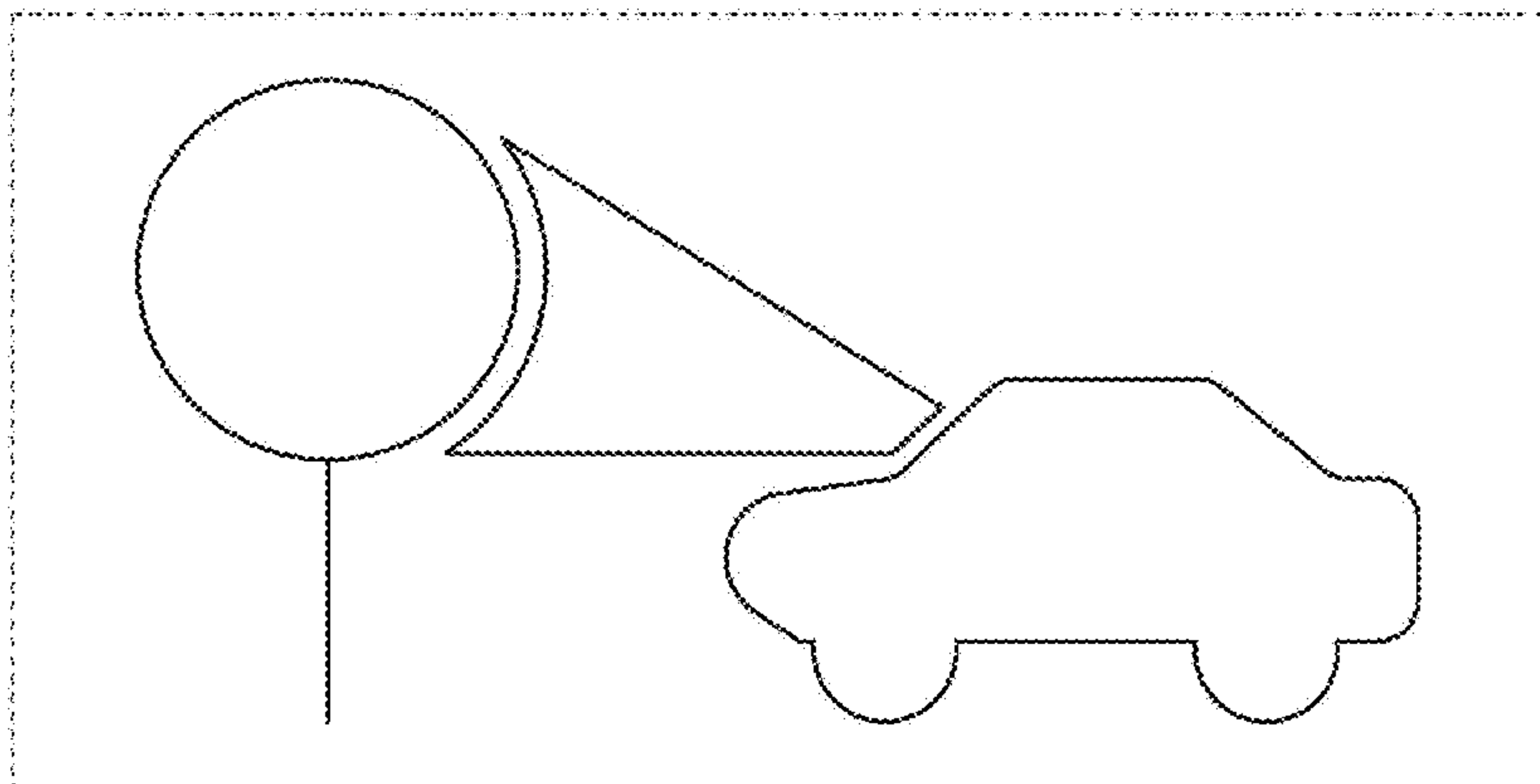
(57) **CLAIM**

The ornamental design for a display screen with graphical user interface, as shown and described.

DESCRIPTION

The FIGURE is a front view of a display screen with graphical user interface showing our new design. The broken line showing of the display screen is for the purpose of illustrating environment and forms no part of the claimed design.

1 Claim, 1 Drawing Sheet



(56)

References Cited

OTHER PUBLICATIONS

Transport [online]. IconFinder, Sep 8, 2014 [retrieved on Mar. 15, 2016]. Retrieved from the Internet:< <https://www.iconfinder.com/iconsets/transport-5>>.*

Windows 8 Pack (Metro Style) [online]. IconFinder, Apr. 9, 2012 [retrieved on Mar. 15, 2016]. Retrieved from the Internet:< https://www.iconfinder.com/iconsets/windows8_icons>.*

* cited by examiner

