

US00D762219S

(12) **United States Design Patent**  
**Armstrong et al.**

(10) **Patent No.:** **US D762,219 S**  
(45) **Date of Patent:** **\*\* Jul. 26, 2016**

(54) **PROTECTIVE CASE FOR ELECTRONIC TABLETS**

(71) Applicant: **Urban Armor Gear, LLC**, Laguna Niguel, CA (US)

(72) Inventors: **Steven Armstrong**, Laguna Niguel, CA (US); **Jay Veltz**, Laguna Niguel, CA (US)

(73) Assignee: **URBAN ARMOR GEAR LLC**, Laguna Niguel, CA (US)

(\*\*) Term: **15 Years**

(21) Appl. No.: **29/535,895**

(22) Filed: **Aug. 11, 2015**

**Related U.S. Application Data**

(63) Continuation of application No. 29/467,609, filed on Sep. 20, 2013, now Pat. No. Des. 737,276.

(51) **LOC (10) Cl.** ..... **14-02**

(52) **U.S. Cl.**  
USPC ..... **D14/440**

(58) **Field of Classification Search**  
USPC ..... D14/250, 440, 447  
CPC .... G06F 1/1628; G06F 1/1613; H04B 1/3888  
See application file for complete search history.

(56) **References Cited**

**U.S. PATENT DOCUMENTS**

1,613,536	A	1/1927	Rose
D230,376	S	2/1974	Andrew
4,259,568	A	3/1981	Dynesen
6,772,879	B1	8/2004	Domotor
7,281,698	B2	10/2007	Patterson
7,414,833	B2	8/2008	Kittayapong
7,735,644	B2	6/2010	Sirichai et al.
D658,187	S	4/2012	Diebel
D658,188	S	4/2012	Diebel

D660,789	S	*	5/2012	Mar	.....	D13/103
D663,304	S		7/2012	Akana et al.		
8,230,992	B2		7/2012	Law et al.		
8,245,843	B1		8/2012	Wu		
D670,702	S	*	11/2012	Zhang	.....	D14/440
8,312,991	B2		11/2012	Diebel et al.		
D671,948	S		12/2012	Akana et al.		
D672,353	S		12/2012	Liu		
D672,781	S		12/2012	Lu		
D675,210	S	*	1/2013	Kim	.....	D14/439
D675,625	S		2/2013	Hasbrook et al.		
D676,854	S	*	2/2013	Hsu	.....	D14/447

(Continued)

*Primary Examiner* — Cynthia Underwood

(74) *Attorney, Agent, or Firm* — Troutman Sanders, LLP

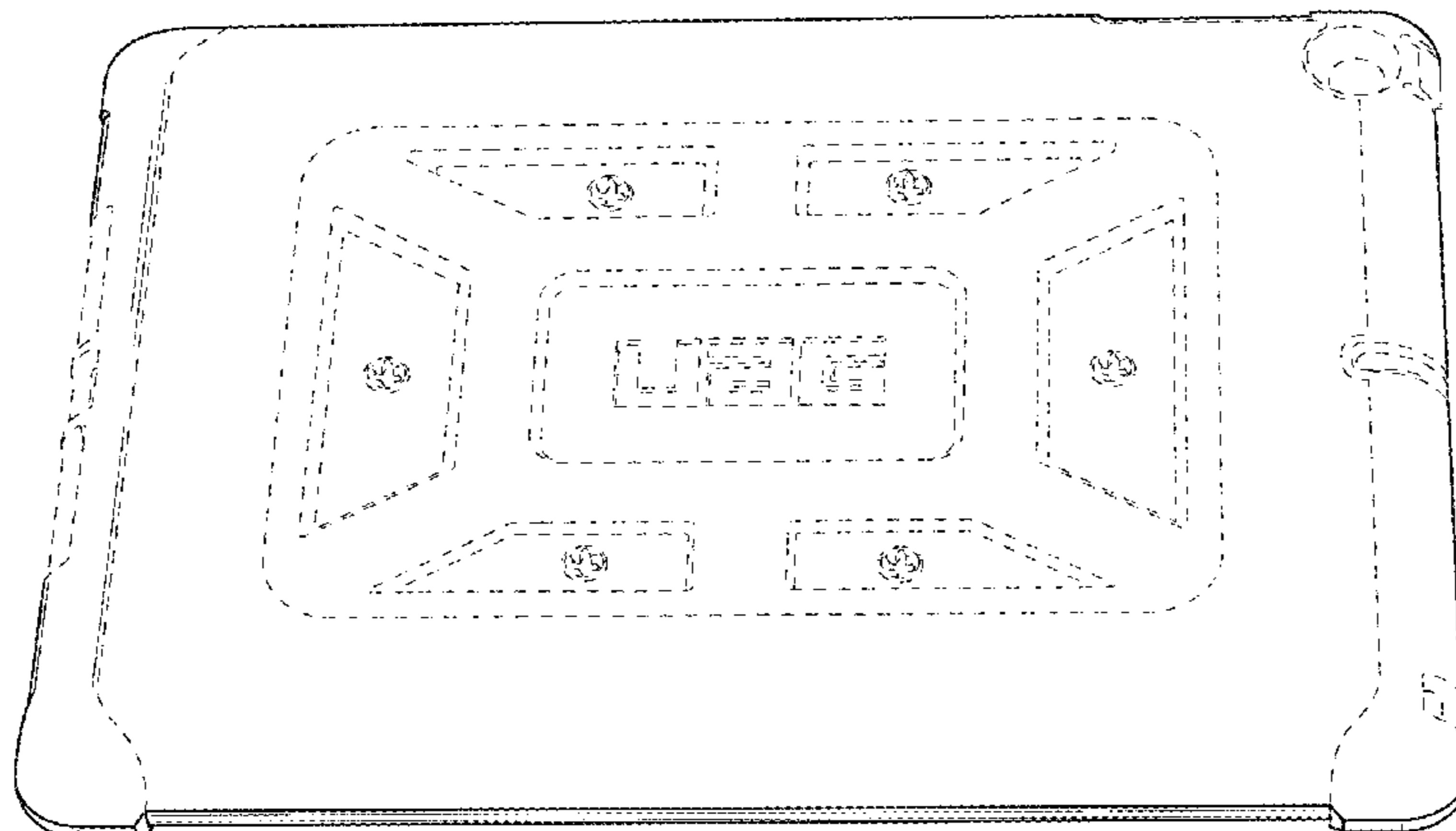
(57) **CLAIM**

The ornamental design for a protective case for an electronic tablets, as shown and described.

**DESCRIPTION**

FIG. 1 is a front perspective view of a protective case for electronic tablets, showing our new design;  
 FIG. 2 is a back view thereof;  
 FIG. 3 is a front view thereof;  
 FIG. 4 is a left-side view thereof;  
 FIG. 5 is a right-side view thereof;  
 FIG. 6 is a top-side view thereof;  
 FIG. 7 is a bottom-side view thereof;  
 FIG. 8 is a perspective view, thereof, in an open position of use;  
 FIG. 9 is a rear view thereof;  
 FIG. 10 is a front perspective view thereof;  
 FIG. 11 is a right-edge side perspective view thereof;  
 FIG. 12 is a left-edge side perspective view thereof;  
 FIG. 13 is a rear perspective view, thereof; and,  
 FIG. 14 is a bottom view of the exterior.  
 The broken lines represent environment and form no part of the claim.

**1 Claim, 12 Drawing Sheets**



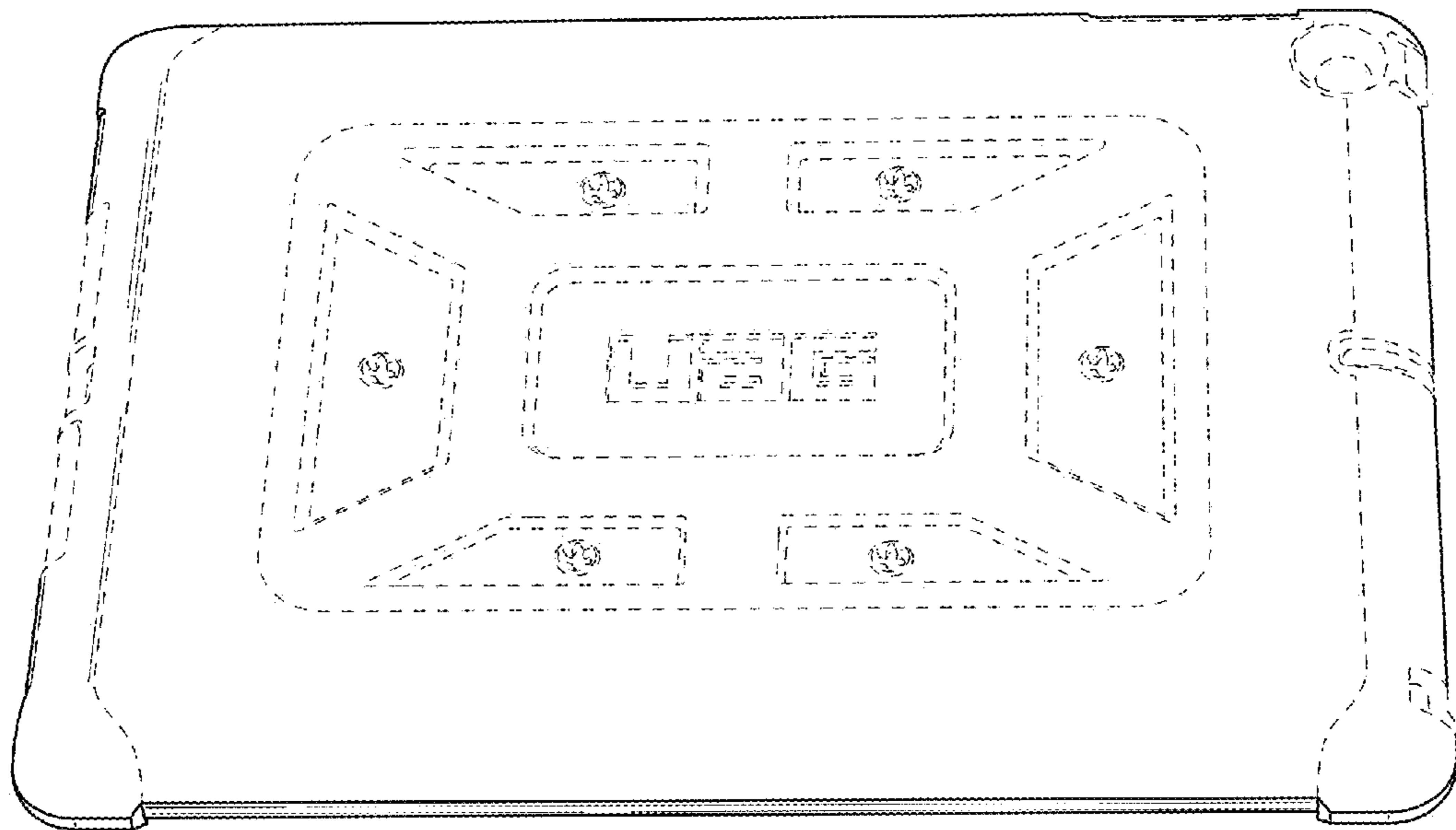
(56)

References Cited

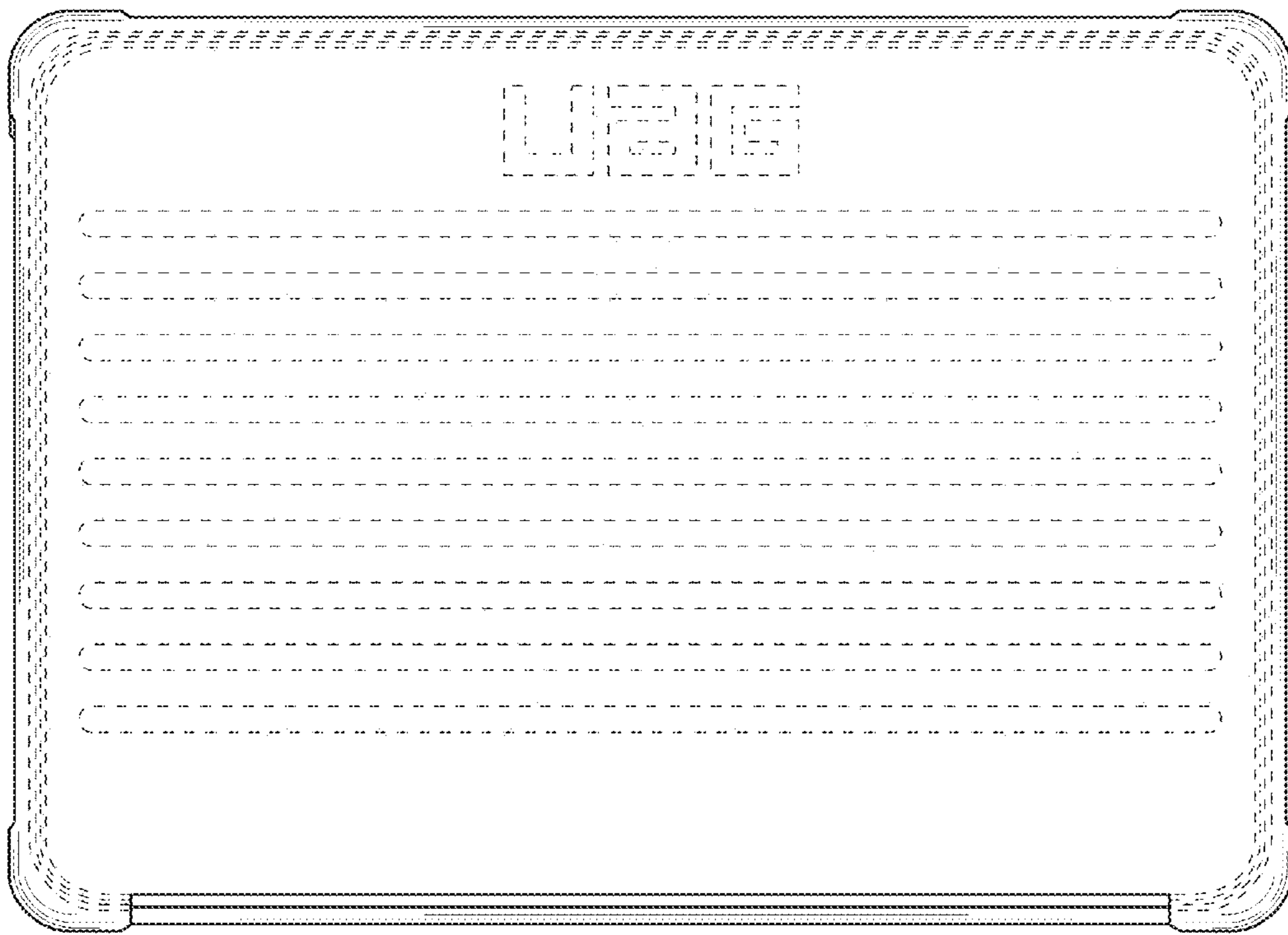
U.S. PATENT DOCUMENTS

D678,260 S	3/2013	Bau	
D679,279 S	4/2013	Yang et al.	
D679,714 S *	4/2013	Smith .....	D14/440
D679,715 S	4/2013	Akana et al.	
8,424,830 B2	4/2013	Yang et al.	
D681,641 S	5/2013	Van Den Nieuwenhuizen et al.	
D682,836 S	5/2013	Akana et al.	
D682,838 S	5/2013	Akana et al.	
D683,141 S	5/2013	Symons	
D687,438 S	8/2013	Lu	
D690,305 S	9/2013	Wen	
D690,702 S	10/2013	Chung	
D691,142 S	10/2013	Diebel	
D692,434 S	10/2013	Kim	
D693,823 S	11/2013	Chen et al.	
D695,296 S	12/2013	Hsu	
D696,253 S	12/2013	Akana et al.	
D696,256 S	12/2013	Piedra et al.	
D696,669 S	12/2013	Akana et al.	
8,640,864 B2	2/2014	Chen et al.	
8,644,893 B2	2/2014	Liang	
8,657,112 B2	2/2014	Igarashi	
D701,205 S	3/2014	Akana et al.	
D702,673 S	4/2014	Murchison et al.	
D704,689 S	5/2014	Chang	
D704,693 S	5/2014	Kim	
D706,270 S	6/2014	Akana et al.	
D706,782 S *	6/2014	Dresser, III .....	D14/440
D706,783 S	6/2014	Almodova	
D707,229 S	6/2014	Almodova	
8,757,375 B2	6/2014	Huang	
D708,621 S *	7/2014	Gifford .....	D14/447
D708,838 S	7/2014	Lee	
8,763,795 B1	7/2014	Oten et al.	
8,766,921 B2	7/2014	Ballagas et al.	
8,773,353 B2	7/2014	Wei	
8,783,458 B2	7/2014	Gallagher et al.	
D710,859 S	8/2014	Mecchella et al.	
8,797,132 B2	8/2014	Childs et al.	
D724,594 S *	3/2015	Venida .....	D14/440
D733,149 S *	6/2015	Dahlberg .....	D14/440
D737,276 S *	8/2015	Armstrong .....	D14/440
2003/0034263 A1	2/2003	D'Hoste	
2008/0302687 A1	12/2008	Sirichai et al.	
2009/0159763 A1	6/2009	Kim	
2011/0266194 A1	11/2011	Bau	
2011/0290687 A1	12/2011	Han	
2012/0211377 A1	8/2012	Sajid	
2012/0211613 A1	8/2012	Yang et al.	
2012/0305413 A1	12/2012	Chung	
2012/0308981 A1	12/2012	Libin et al.	
2013/0015088 A1	1/2013	Wu	
2013/0020216 A1	1/2013	Chiou	
2013/0140203 A1	6/2013	Chiang	
2013/0213838 A1	8/2013	Tsai et al.	
2013/0214661 A1	8/2013	McBroom	
2013/0241381 A1	9/2013	Hynecek et al.	
2013/0264459 A1	10/2013	McCosh et al.	

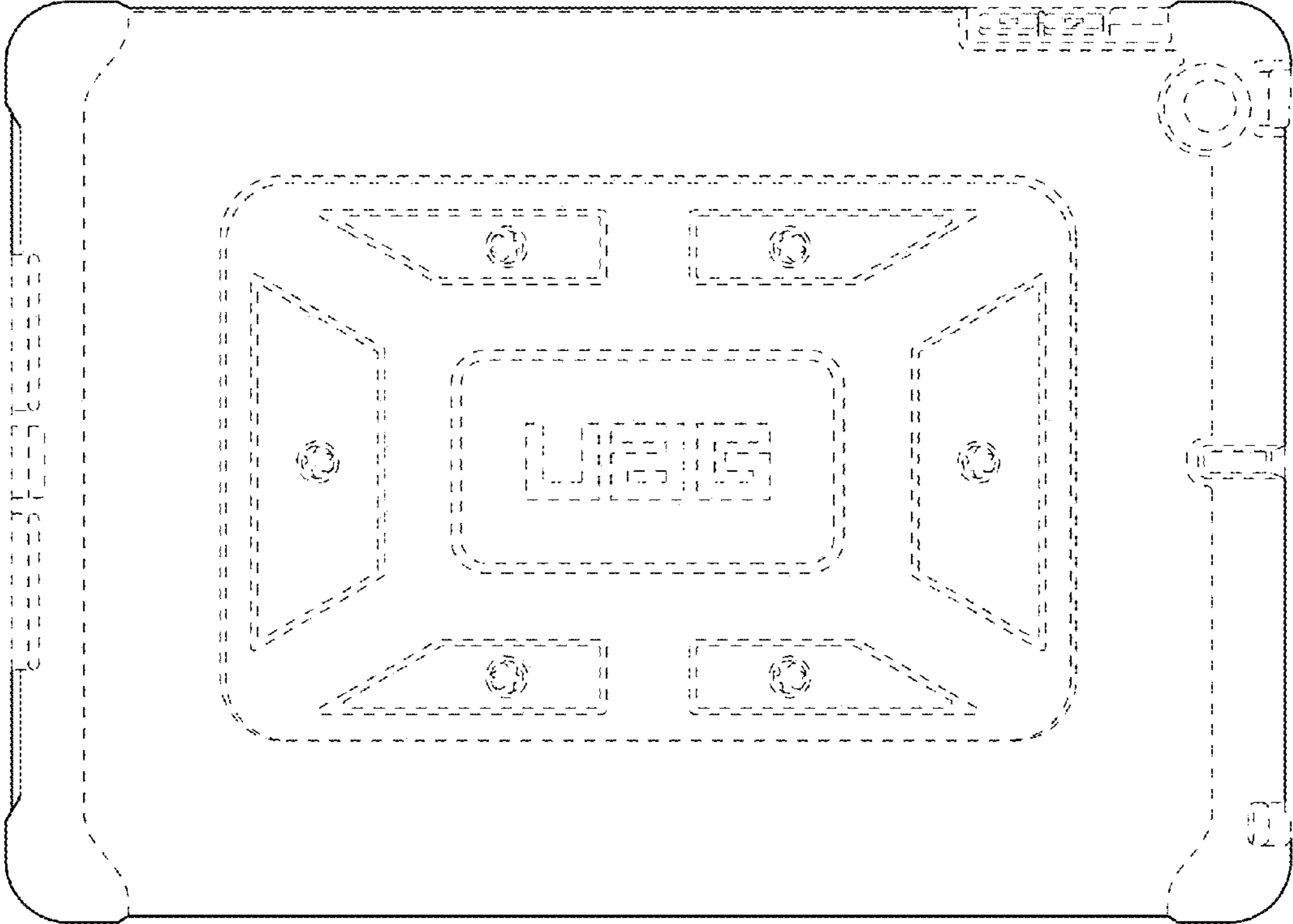
\* cited by examiner



**FIG. 1**



**FIG. 2**



**FIG. 3**



**FIG. 4**



**FIG. 5**



**FIG. 6**



**FIG. 7**

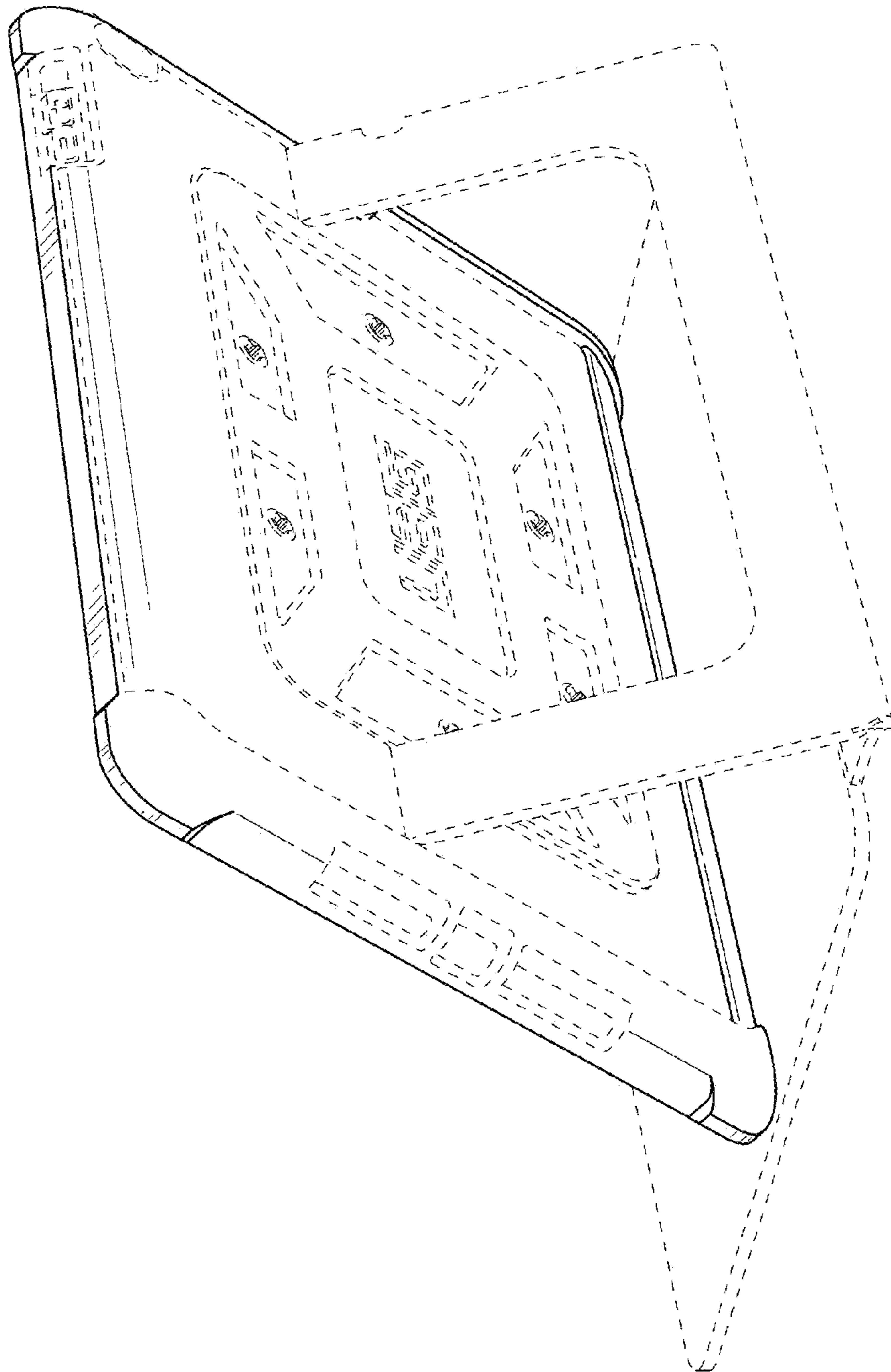
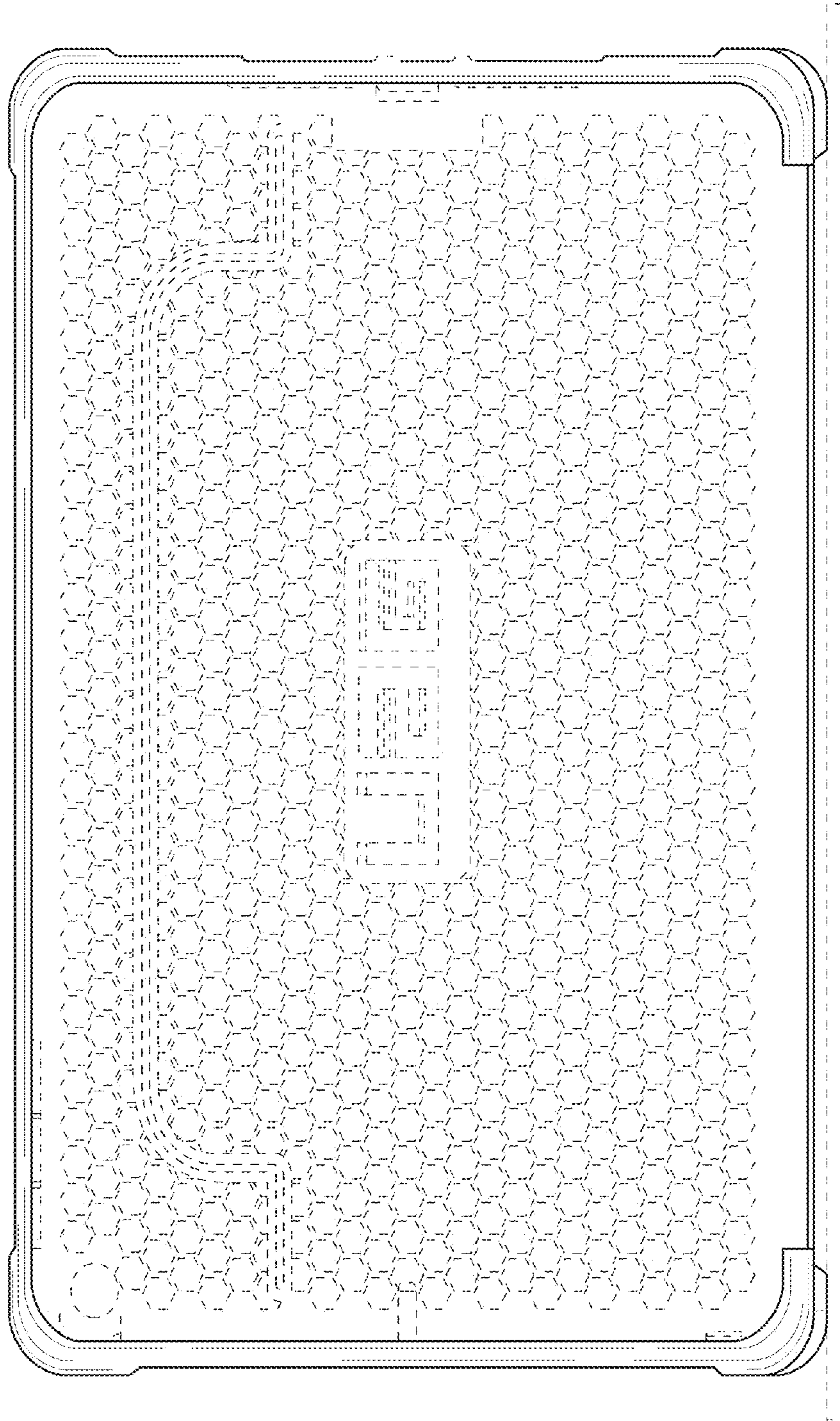
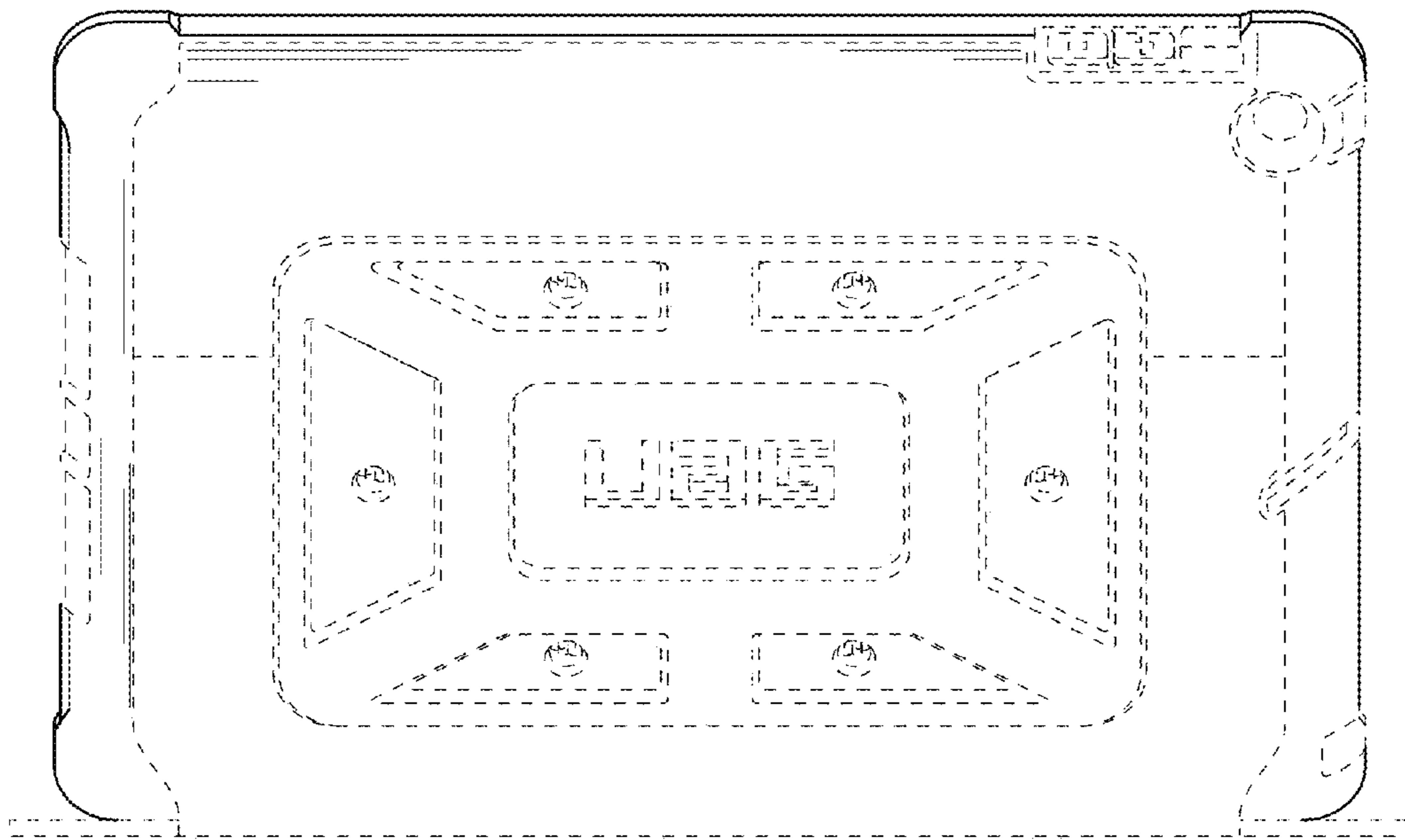


FIG. 8

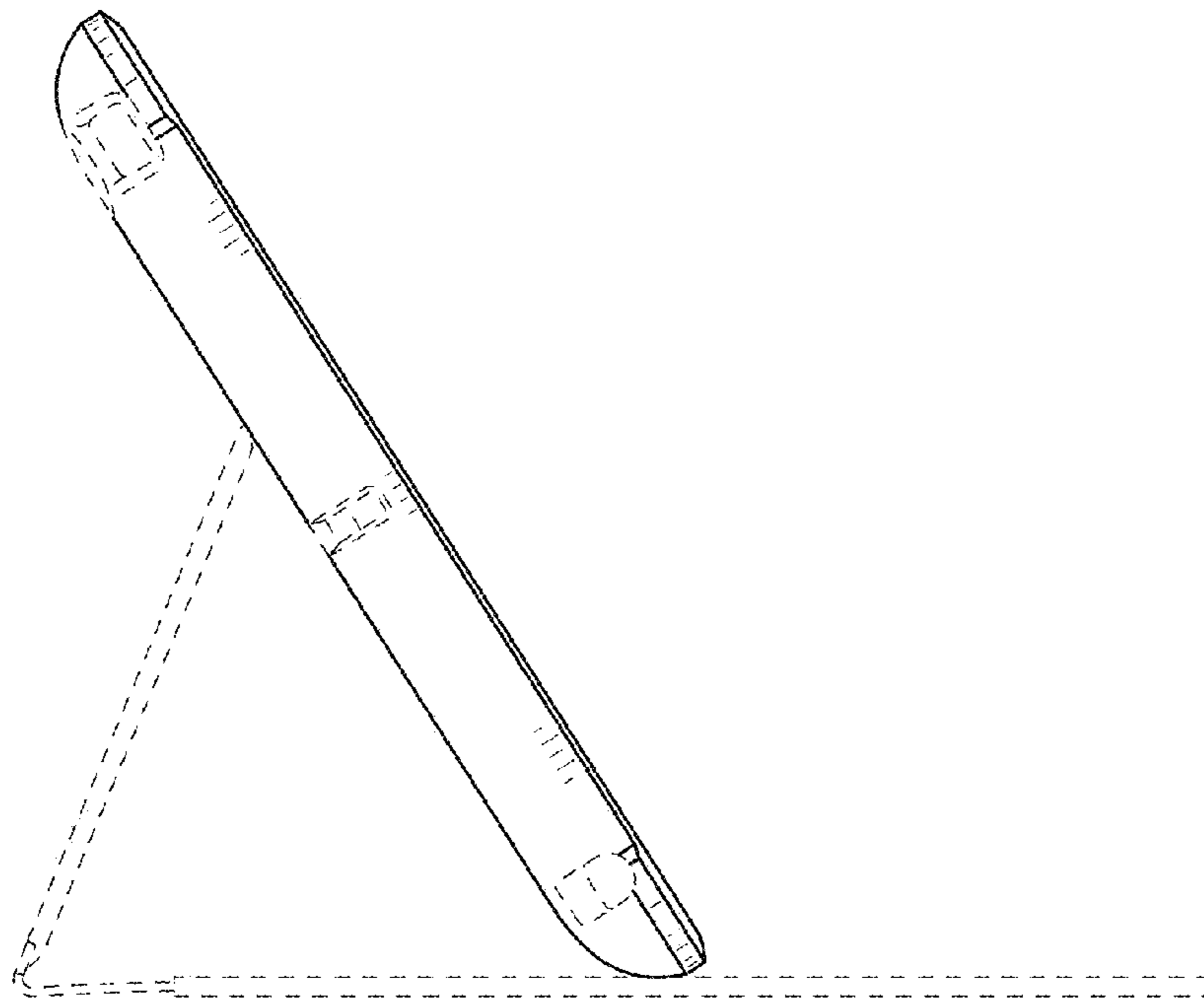


**FIG. 9**

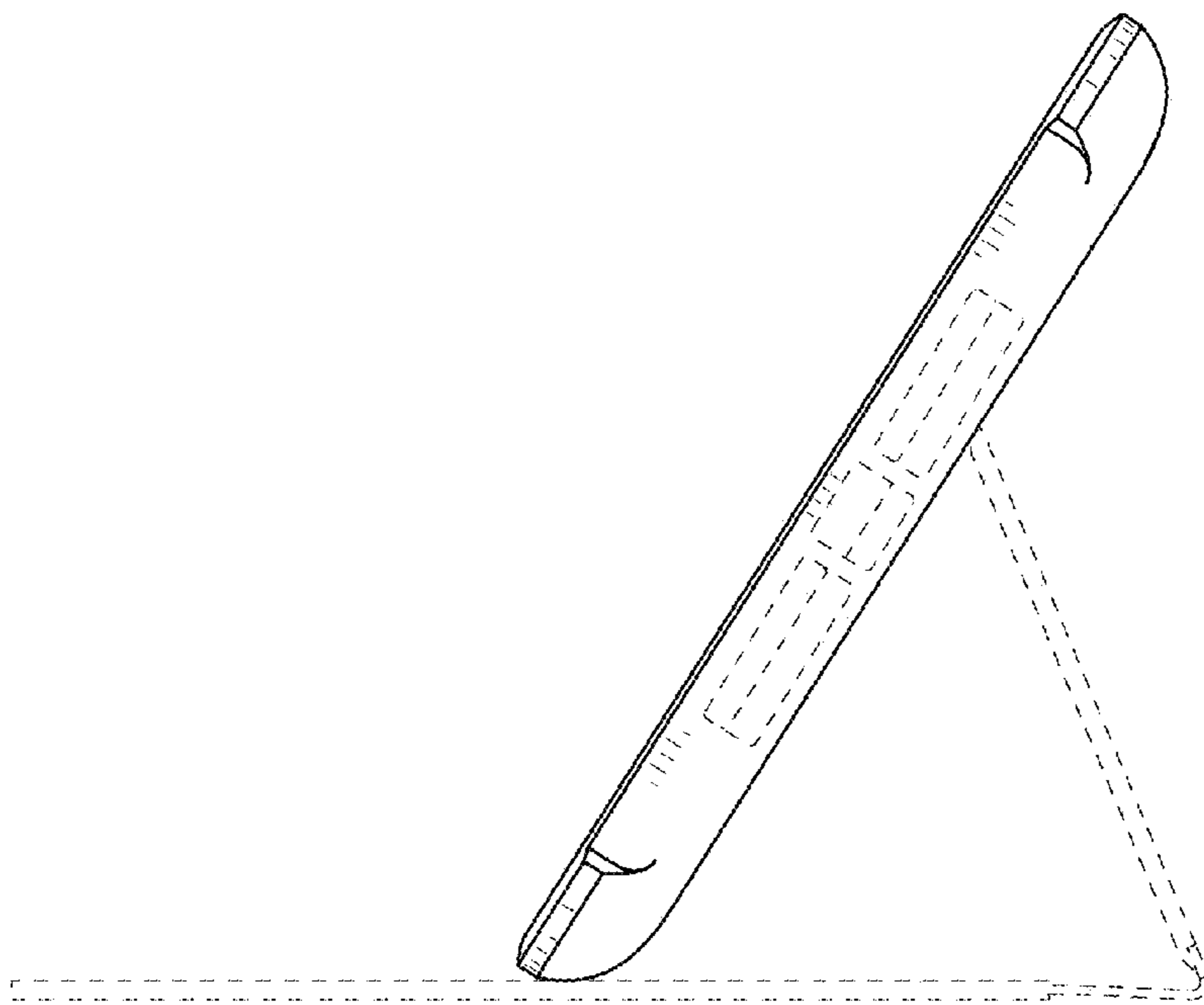




**FIG. 10**

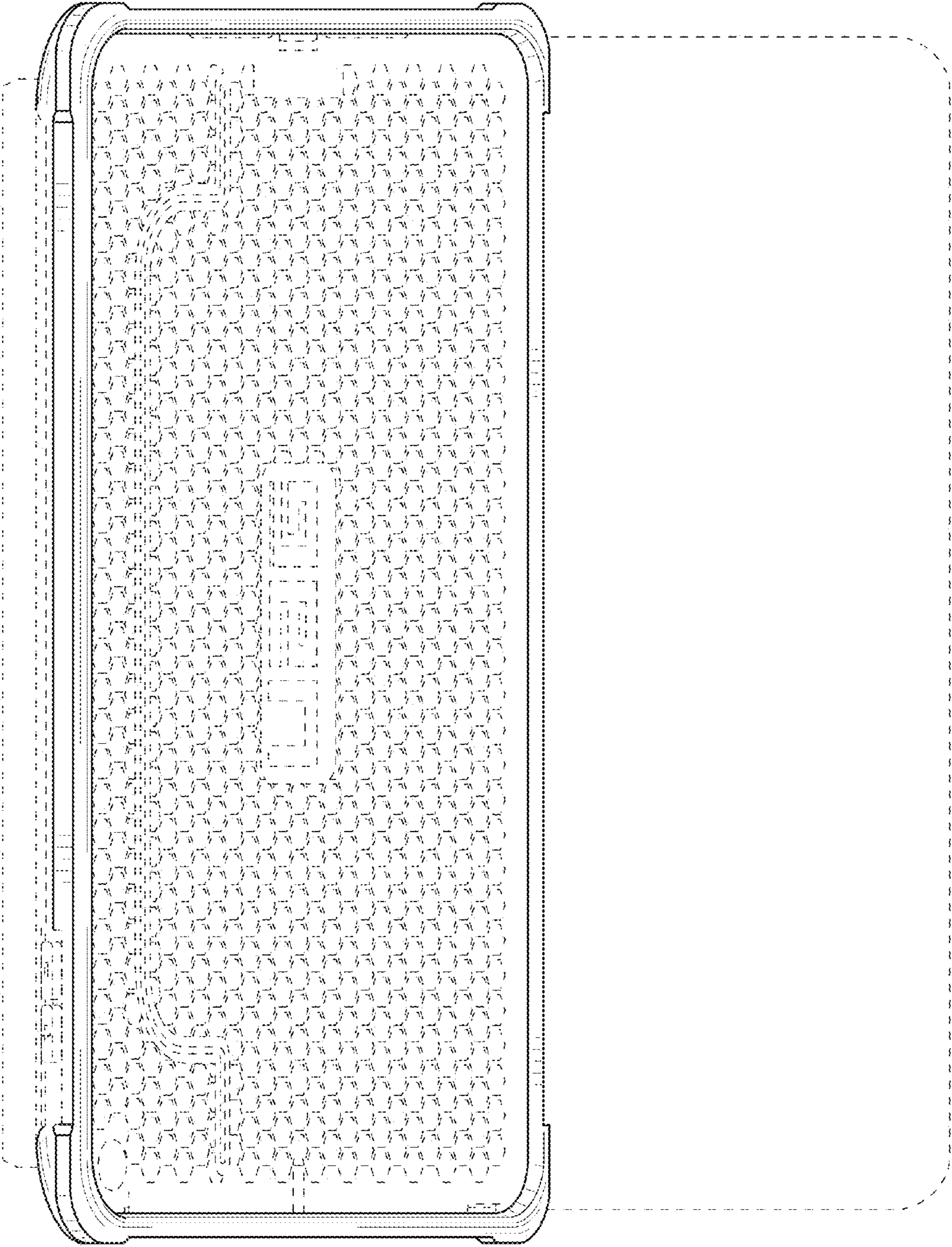


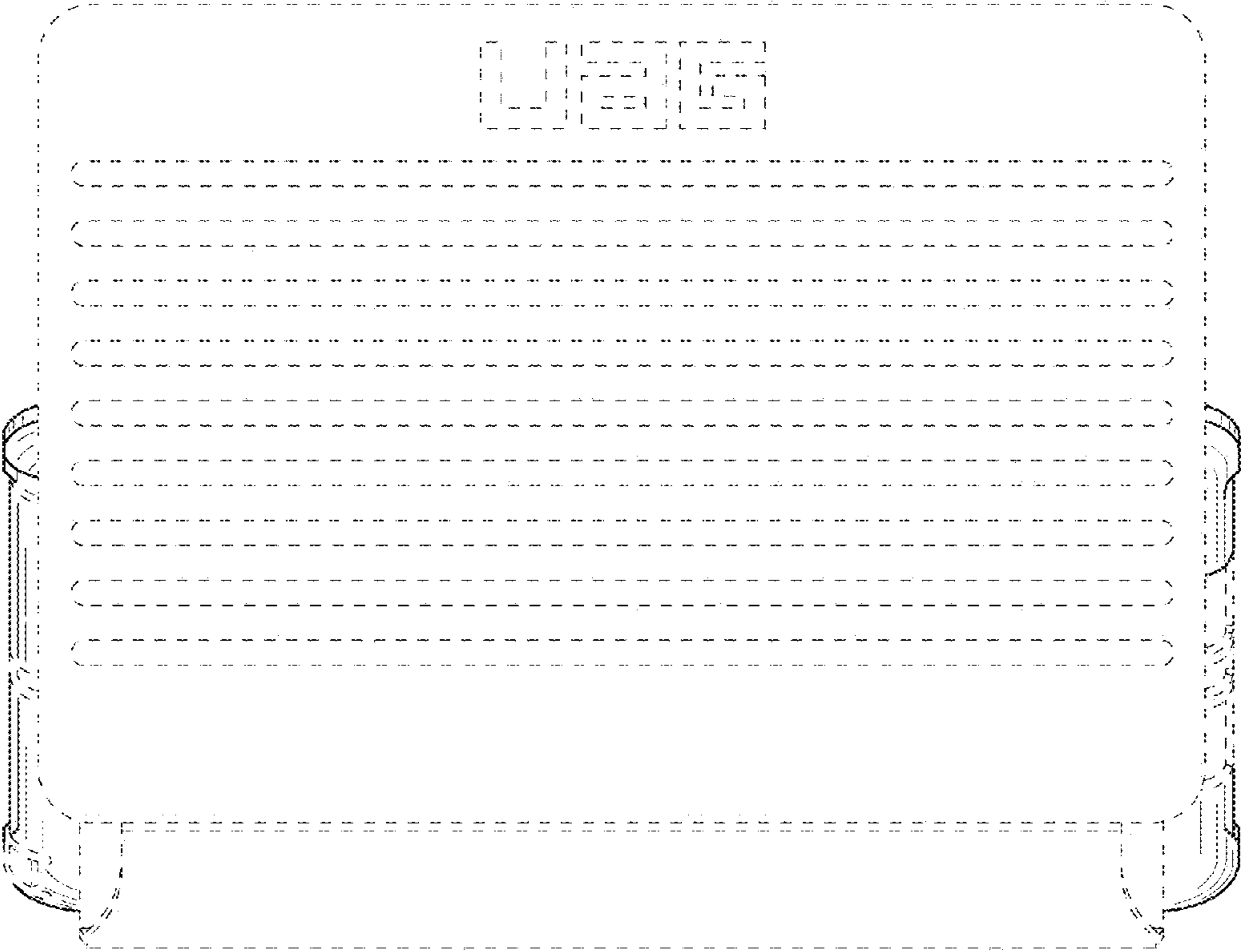
**FIG. 11**



**FIG. 12**

**FIG. 13**





**FIG. 14**