



US00D762217S

(12) **United States Design Patent**
Michaud et al.

(10) **Patent No.:** **US D762,217 S**
(45) **Date of Patent:** **** Jul. 26, 2016**

(54) **SMALL FORM ENCLOSURE FOR
COMPUTER DATA CENTER RACK**

(71) Applicant: **MacStadium, Inc.**, Atlanta, GA (US)

(72) Inventors: **Jason A. Michaud**, Marietta, GA (US);
Michael L. Oken, Atlanta, GA (US);
Gregory P. McGraw, Marietta, GA
(US)

(73) Assignee: **MACSTADIUM, INC.**, Atlanta, GA
(US)

(**) Term: **15 Years**

(21) Appl. No.: **29/529,390**

(22) Filed: **Jun. 5, 2015**

(51) **LOC (10) Cl.** **14-02**

(52) **U.S. Cl.**
USPC **D14/432**

(58) **Field of Classification Search**

USPC D14/319-321, 348, 356-368, 498,
D14/501-503, 510; 720/617-644, 646,
720/655-656; 360/99.19, 99.13, 98.01;
361/679.33, 679.37
CPC G06F 1/18; G06F 1/16; G06F 1/187;
A47B 51/00; H05K 7/1487; H05K 7/14;
G11B 33/124

See application file for complete search history.

(56) **References Cited**

U.S. PATENT DOCUMENTS

D346,370 S * 4/1994 Hetfield D13/184
D582,918 S * 12/2008 Scott D14/432

D598,024 S * 8/2009 Scott D14/432
D685,373 S * 7/2013 Santos D14/432
D694,240 S * 11/2013 Cho D14/432
D714,789 S * 10/2014 Chen D14/432
D720,353 S * 12/2014 Nakamura D14/432
D735,726 S * 8/2015 Chen D14/432
D743,402 S * 11/2015 Ehara D14/432
D743,403 S * 11/2015 Ehara D14/432
D755,182 S * 5/2016 Bassett D14/432

* cited by examiner

Primary Examiner — Austin Murphy

(74) *Attorney, Agent, or Firm* — Morris Manning & Martin,
LLP; John R. Harris

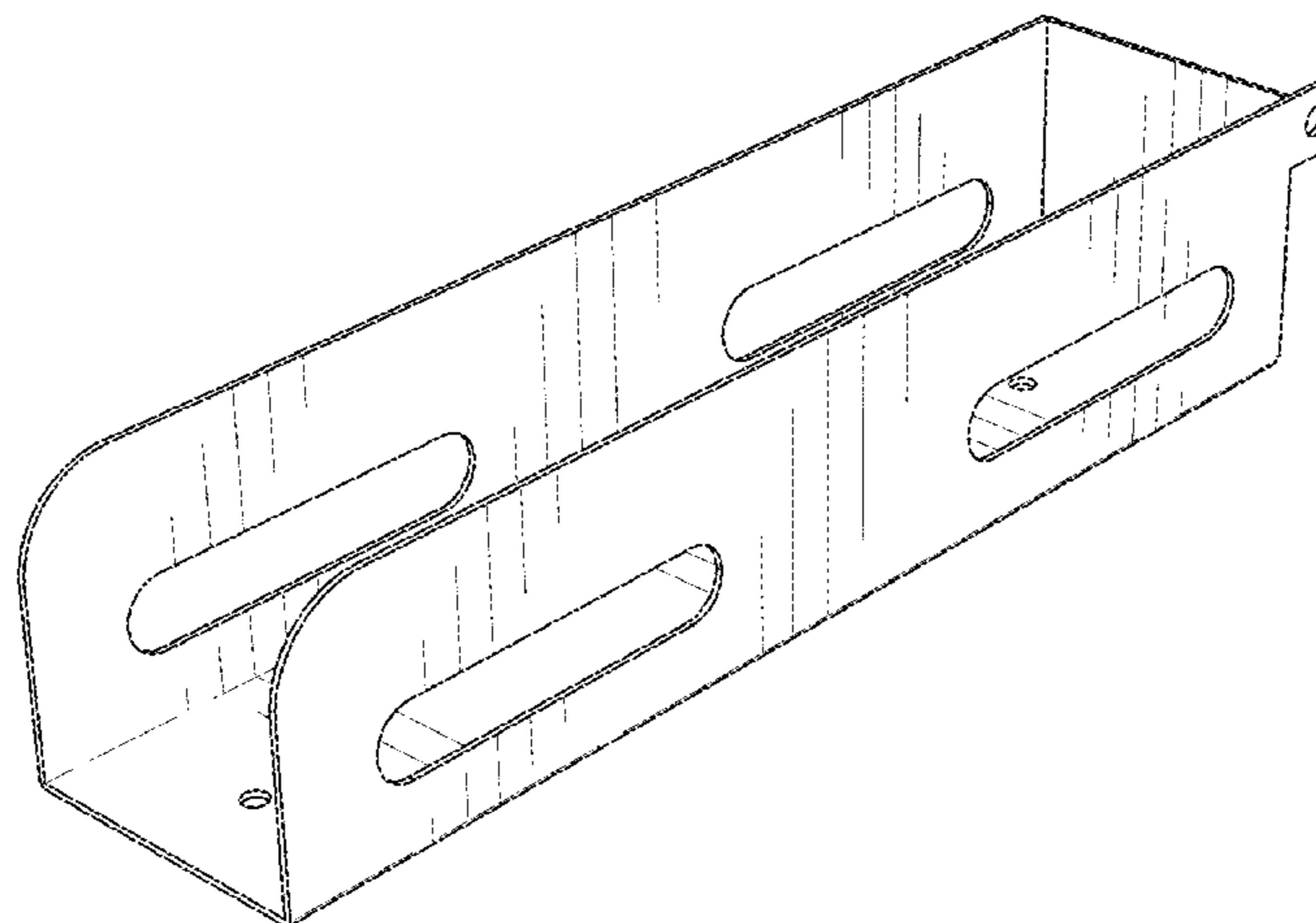
(57) **CLAIM**

We claim the ornamental design for the small form enclosure
for computer data center rack, as shown.

DESCRIPTION

FIG. 1 is a perspective view of an exemplary enclosure,
according to one embodiment of the present disclosure;
FIG. 2 is a side view of an exemplary enclosure, according to
one embodiment of the present disclosure;
FIG. 3 is a side view of an exemplary enclosure, according to
one embodiment of the present disclosure;
FIG. 4 is a top view of an exemplary enclosure, according to
one embodiment of the present disclosure;
FIG. 5 is a bottom view of an exemplary enclosure, according
to one embodiment of the present disclosure;
FIG. 6 is a rear view of an exemplary enclosure, according to
one embodiment of the present disclosure; and,
FIG. 7 is a front view of an exemplary enclosure, according to
one embodiment of the present disclosure.

1 Claim, 6 Drawing Sheets



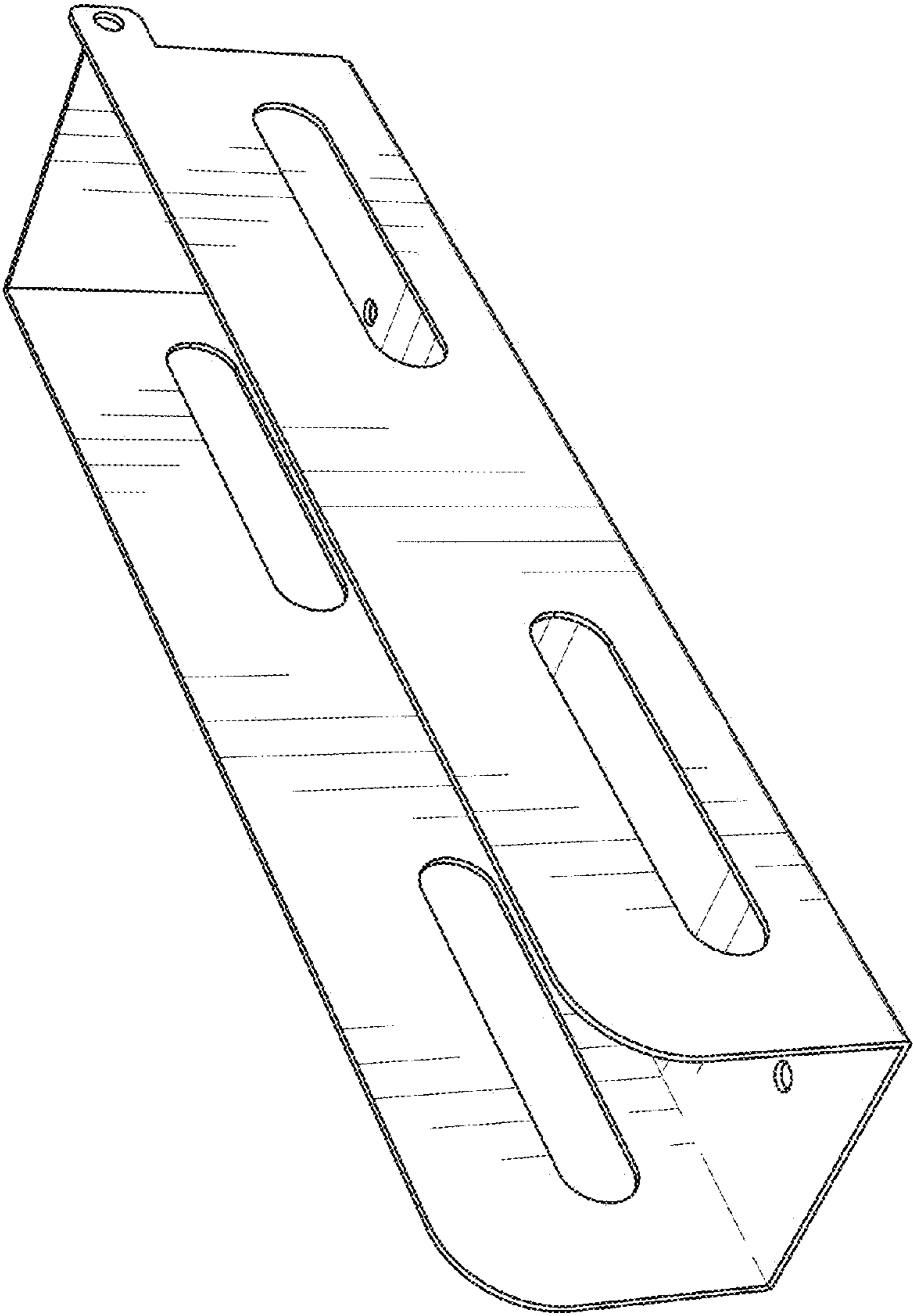


FIG. 1

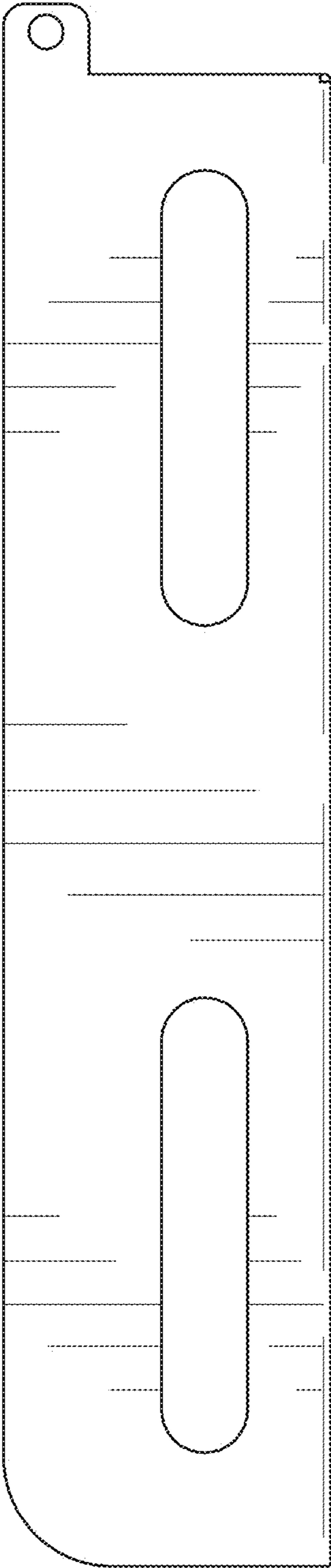


FIG. 2

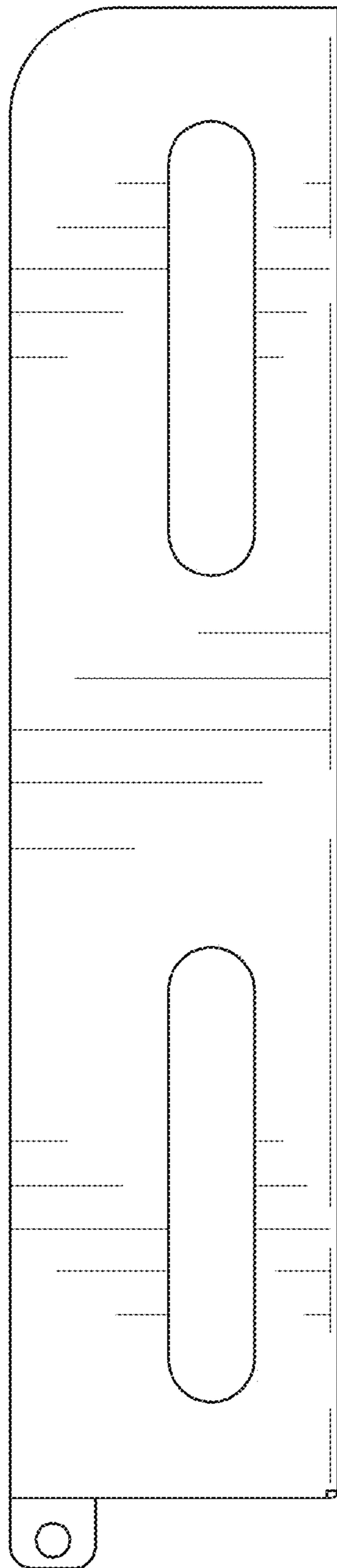


FIG. 3

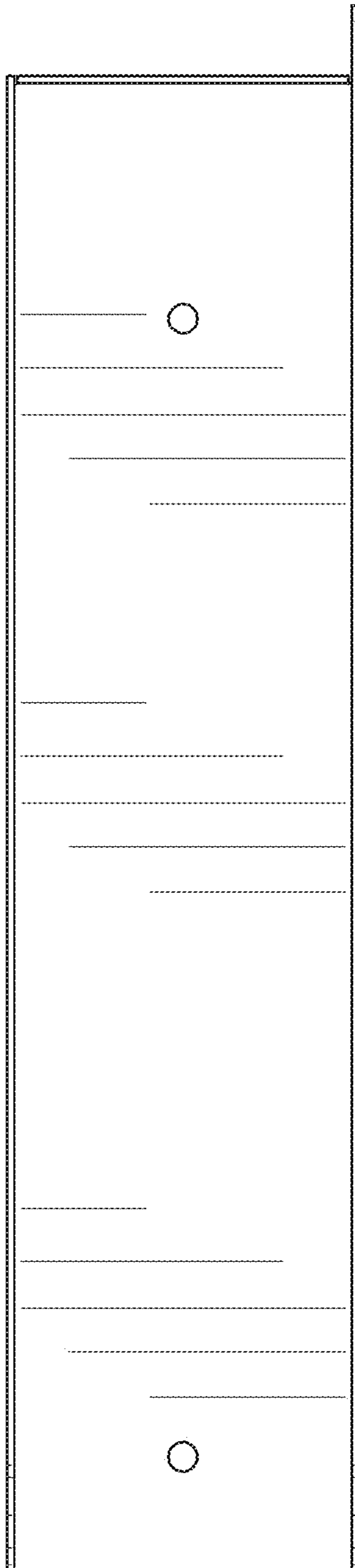


FIG. 4

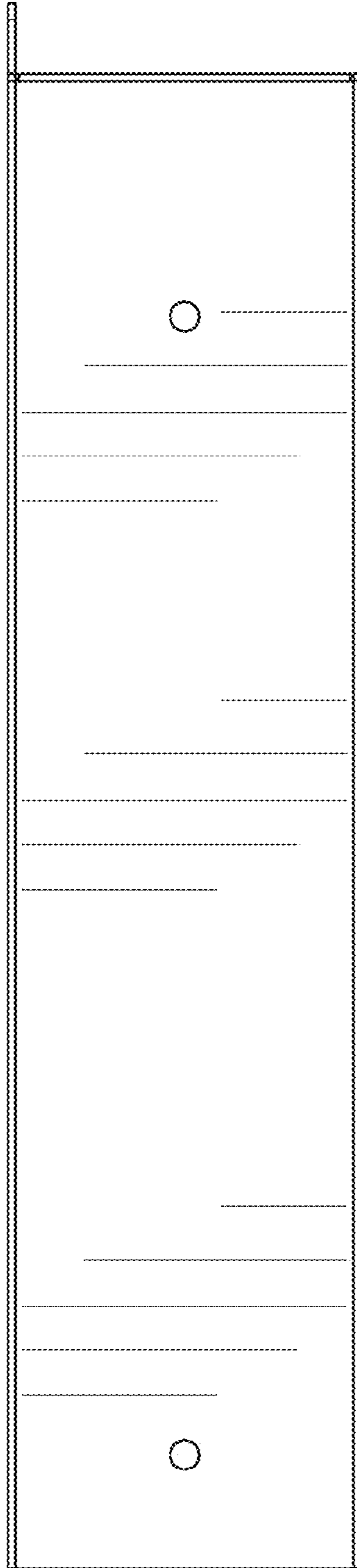


FIG. 5

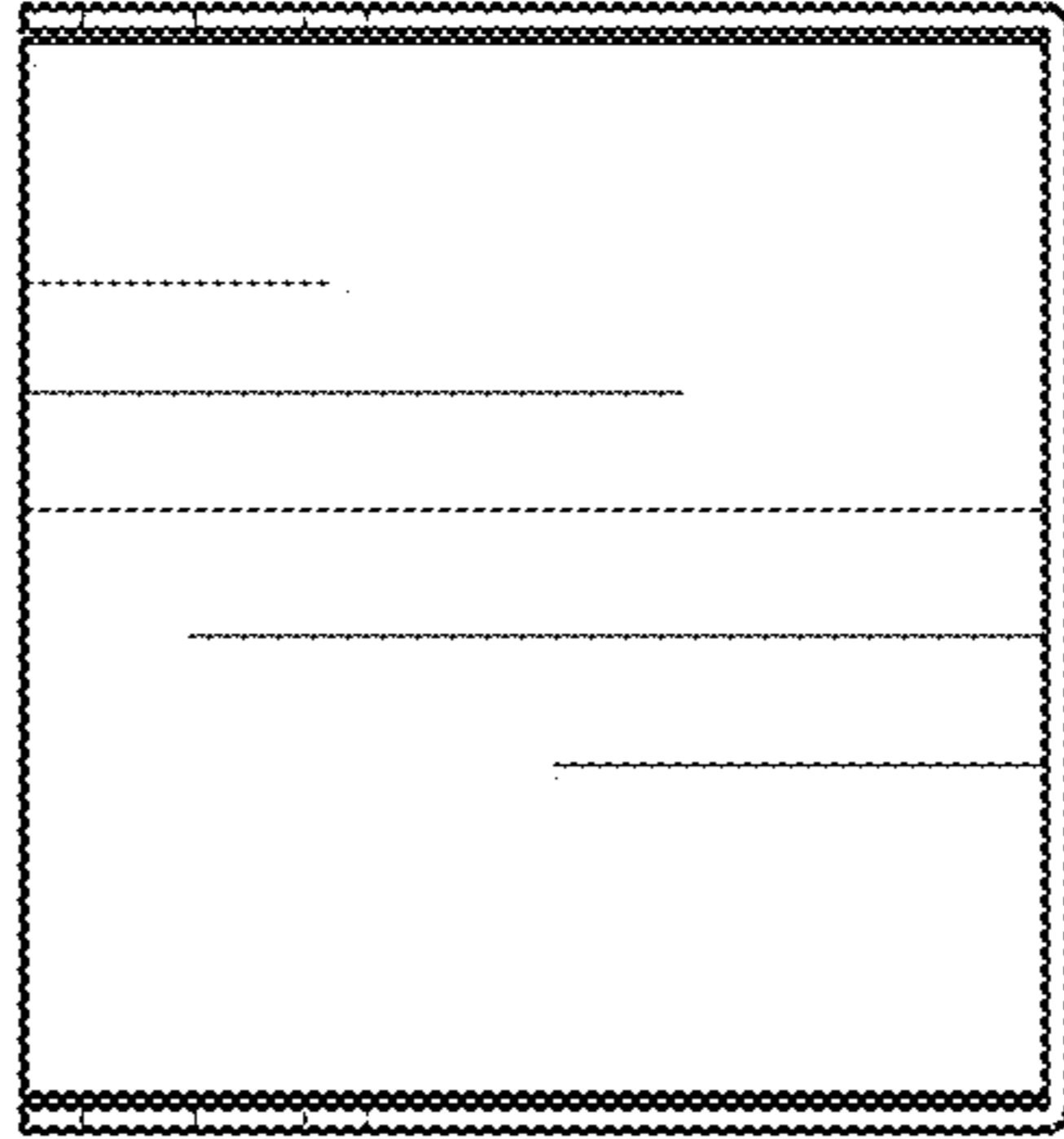


FIG. 7

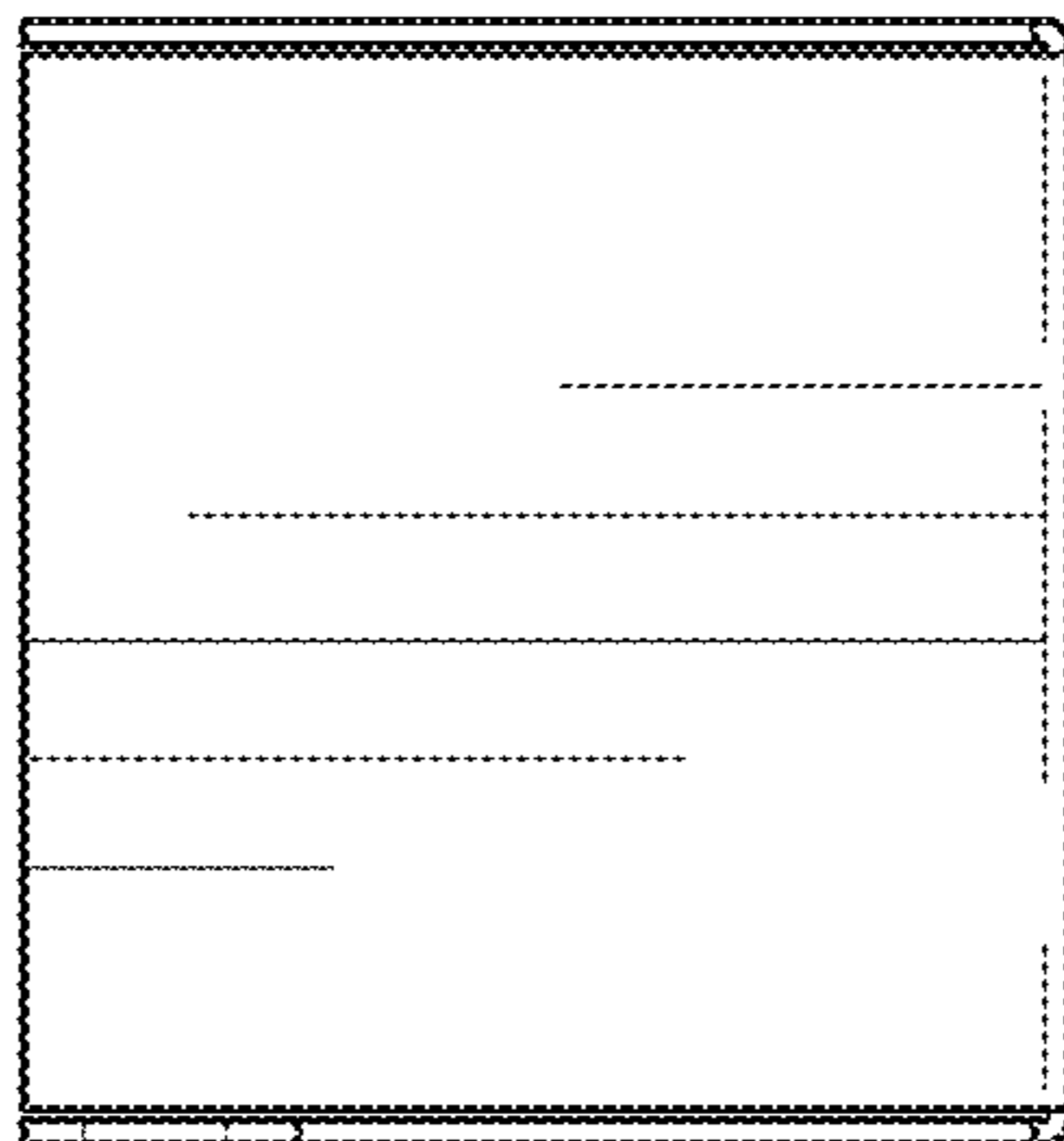


FIG. 6