



US00D762216S

(12) **United States Design Patent**
Tani

(10) **Patent No.:** **US D762,216 S**
(45) **Date of Patent:** **** Jul. 26, 2016**

- (54) **SCANNER**
- (71) Applicant: **Panasonic Intellectual Property Management Co., Ltd.**, Osaka (JP)
- (72) Inventor: **Atsushi Tani**, Osaka (JP)
- (73) Assignee: **Panasonic Intellectual Property Management Co., Ltd.**, Osaka (JP)
- (**) Term: **15 Years**
- (21) Appl. No.: **29/532,390**
- (22) Filed: **Jul. 7, 2015**
- (30) **Foreign Application Priority Data**
Feb. 20, 2015 (JP) 2015-003433
- (51) **LOC (10) Cl.** **14-02**
- (52) **U.S. Cl.**
USPC **D14/422**
- (58) **Field of Classification Search**
USPC D14/421-425; D18/55, 49, 46, 40, D18/36-39, 41, 44, 45, 47, 48, 50-54, 56; 235/462, 455, 470, 462.43, 482, 483; 358/474, 486, 488, 496, 497, 498, 452, 358/449, 451, 453, 1.13; 318/685, 696; 355/81, 75; 399/405, 367, 379, 380; 382/217; 715/209, 222, 226, 274; 400/613, 613.1-613.4, 690.1-690.4, 400/691-694
CPC H04N 1/00; H04N 1/12; H04N 1/00013; H04N 1/00015; H04N 1/00018; H04N 1/00026; H04N 1/00557; H04N 1/00564; H04N 1/00567; H04N 1/0057; H04N 1/00572; H04N 1/00586; H04N 1/00588; H04N 1/00591; H04N 1/00594; H04N 1/00596; H04N 1/00604; H04N 1/00519; H04N 1/00559; H04N 1/1013; H04N 1/10; H04N 1/00551; H04N 1/00278; H04N 2201/0456; H04N 2201/0446; H04N 2201/00; H04N 2201/0094; G03G 15/0142; G03G 15/605; G03G 15/602; B65H 5/26; B65H 5/30; B65H 5/36; B65H 7/00; B65H 2402/515; B65H 2402/31; B65H 2511/20; B65H 2511/414; B65H 2513/42; B65H 2801/39;

B65H 2801/31; B65H 2215/00189; B65H 2215/00914; B65H 2215/00198; B65H 2215/00202; B65H 2215/00206; B65H 2215/20; B65H 2301/00; B65H 2220/04; B65H 3/5261
See application file for complete search history.

(56) **References Cited**

U.S. PATENT DOCUMENTS

D386,519 S *	11/1997	Meschter	D18/55
6,767,149 B2 *	7/2004	Yoshihara	B41J 29/02 399/111
D534,209 S *	12/2006	Yamaguchi	D18/55
D535,325 S *	1/2007	Yamaguchi	D18/55
D537,475 S *	2/2007	Miller	D18/49
D544,906 S *	6/2007	Alfonso	D18/55
7,246,963 B2 *	7/2007	Nishimura	B41J 13/106 347/108

(Continued)

Primary Examiner — Susan Moon Lee
(74) *Attorney, Agent, or Firm* — Panasonic IP Management; Kerry S. Culpepper

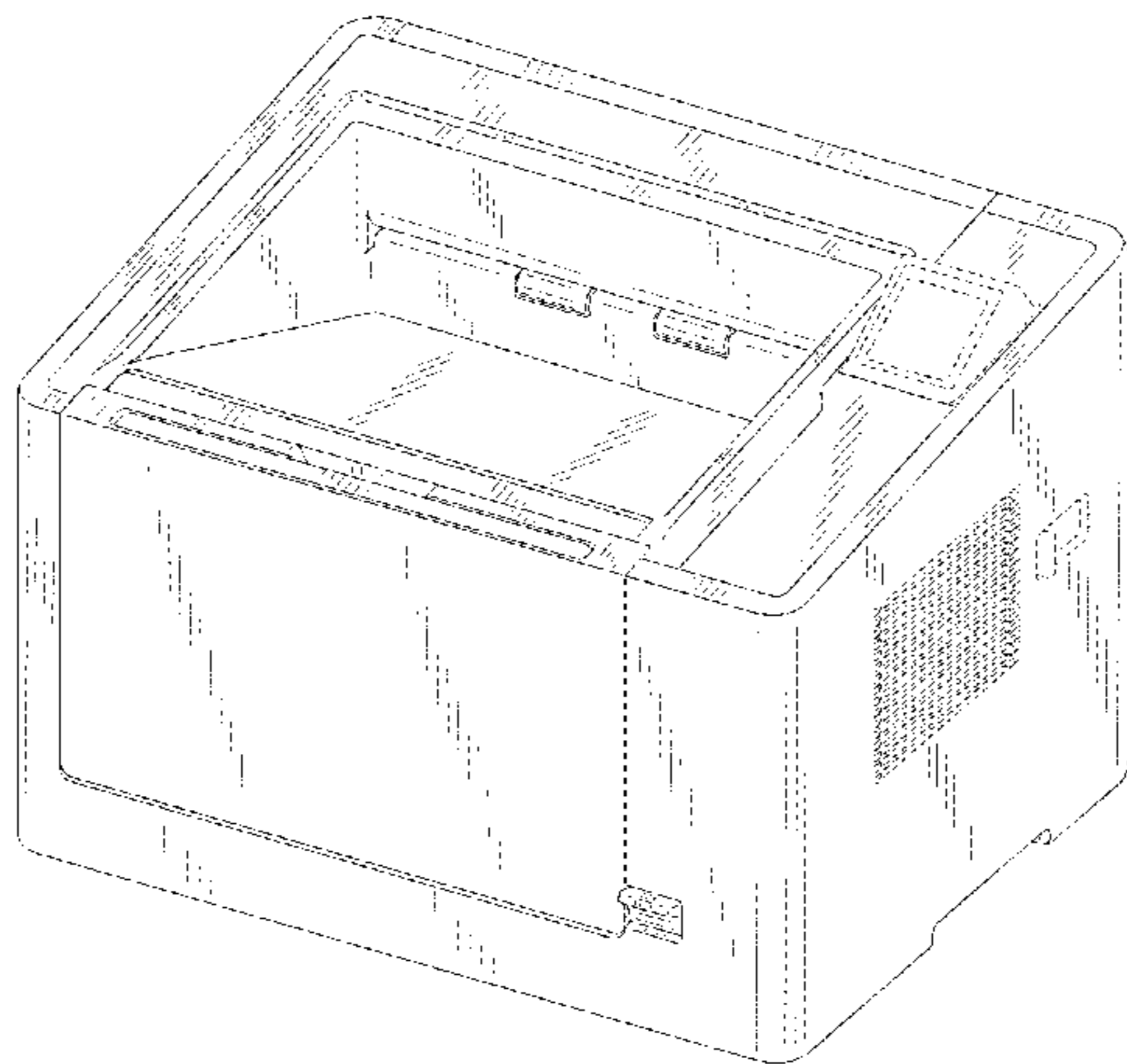
(57) **CLAIM**

I claim the ornamental design for a scanner, as shown and described.

DESCRIPTION

FIG. 1 is a front perspective view of a scanner of the present invention;
FIG. 2 is a rear perspective view thereof;
FIG. 3 is a front view thereof;
FIG. 4 is a rear view thereof;
FIG. 5 is a left side view thereof;
FIG. 6 is a right side view thereof;
FIG. 7 is a top view thereof; and,
FIG. 8 is a bottom view thereof.
Broken lines and unshaded portions contained within broken lines depict portions of the scanner that form no part of the claimed design.

1 Claim, 8 Drawing Sheets



(56)

References Cited

U.S. PATENT DOCUMENTS

D552,096 S *	10/2007	Sugitani	D14/421	D681,722 S *	5/2013	Seki	D18/50
D552,170 S *	10/2007	Kim	D18/55	D685,412 S *	7/2013	Jihoon	D18/50
D554,698 S *	11/2007	Miller	D18/55	D697,964 S	1/2014	Fukasawa et al.		
D555,722 S *	11/2007	Bae	D18/55	D697,965 S *	1/2014	Fukasawa	D18/55
D558,264 S *	12/2007	Smith	D18/55	D698,862 S *	2/2014	Nanno	D18/55
D584,348 S *	1/2009	Boo	D18/55	D699,784 S	2/2014	Penke		
D607,927 S *	1/2010	Kim	D18/55	D701,561 S *	3/2014	Jihoon	D18/50
D617,829 S *	6/2010	Suzuki	D18/55	D712,960 S *	9/2014	Tsuruoka	D18/55
D621,404 S *	8/2010	Sugitani	D14/421	D714,862 S *	10/2014	Kim	D18/50
D633,558 S *	3/2011	Egami	D18/55	D715,357 S *	10/2014	Kim	D18/55
D634,361 S *	3/2011	Terenzio	D18/55	D715,852 S *	10/2014	So	D18/50
D639,847 S *	6/2011	Nakata	D18/50	D715,853 S *	10/2014	Kim	D18/50
D641,038 S *	7/2011	Park	D18/55	D722,339 S *	2/2015	Nakagawa	D18/55
D641,395 S *	7/2011	Park	D18/55	D724,141 S *	3/2015	Kim	D18/55
D641,396 S *	7/2011	Park	D18/55	D725,184 S *	3/2015	Kim	D18/55
D645,899 S *	9/2011	Nagano	D18/55	D725,185 S	3/2015	Kim et al.		
D647,131 S *	10/2011	Park	D18/55	D733,217 S *	6/2015	Nishimura	D18/55
D648,381 S *	11/2011	Brown	D18/55	D734,815 S *	7/2015	Minamide	D18/55
D648,382 S *	11/2011	Zeng	D18/55	D736,311 S *	8/2015	Yamada	D18/50
D653,703 S *	2/2012	Seki	D18/55	D740,359 S *	10/2015	So	D18/55
D653,704 S *	2/2012	Seki	D18/55	D744,584 S *	12/2015	Seki	D18/50
D659,187 S *	5/2012	Choo	D18/55	D746,907 S *	1/2016	Kim	D18/50
D660,908 S *	5/2012	Leman	D18/55	D749,170 S *	2/2016	Nakagawa	D18/55
D662,131 S *	6/2012	Leman	D18/55	D749,171 S *	2/2016	Nakagawa	D18/55
					D749,172 S *	2/2016	Nakagawa	D18/55
					D750,164 S *	2/2016	So	D18/50

* cited by examiner

FIG. 1

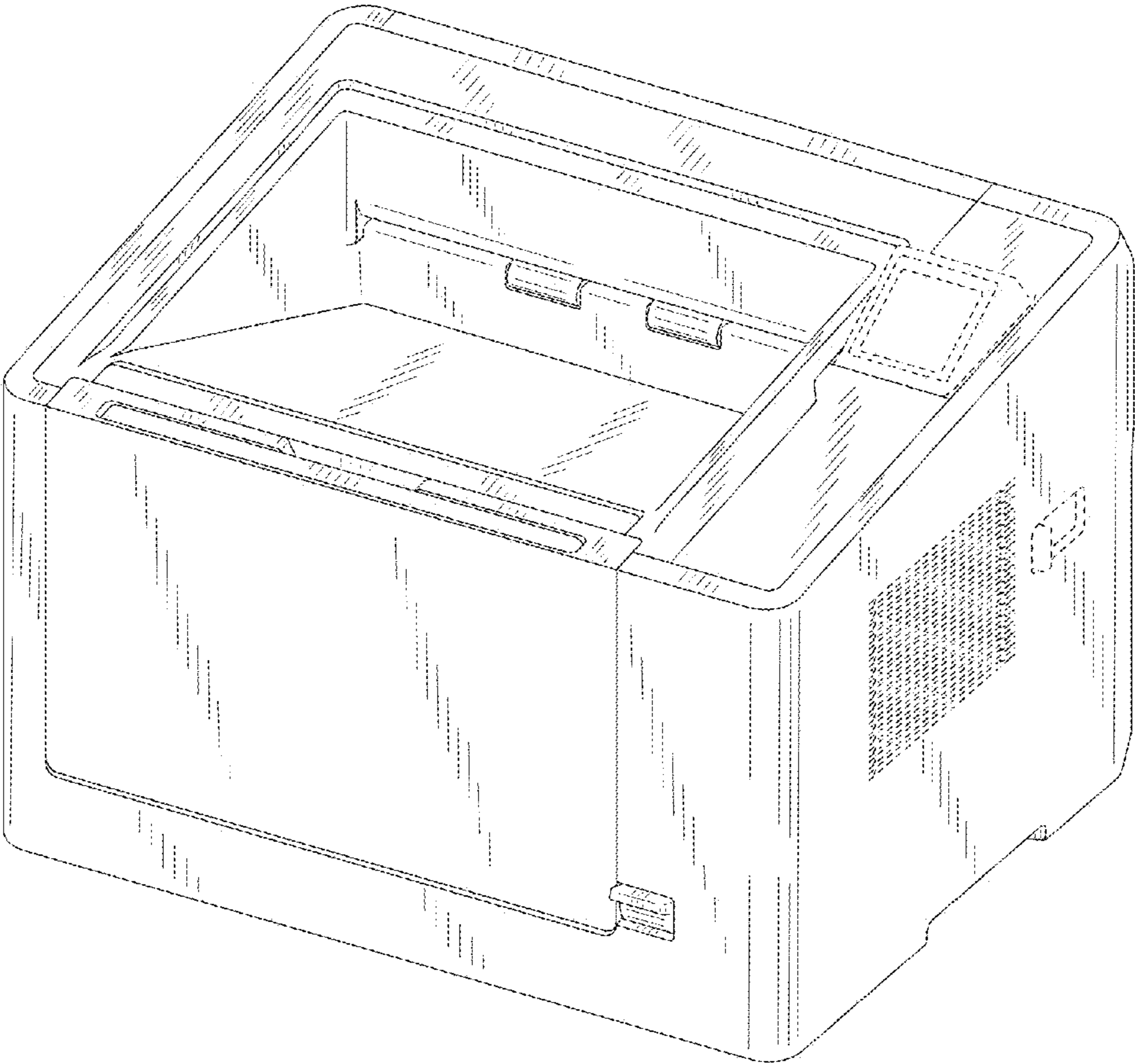


FIG. 2

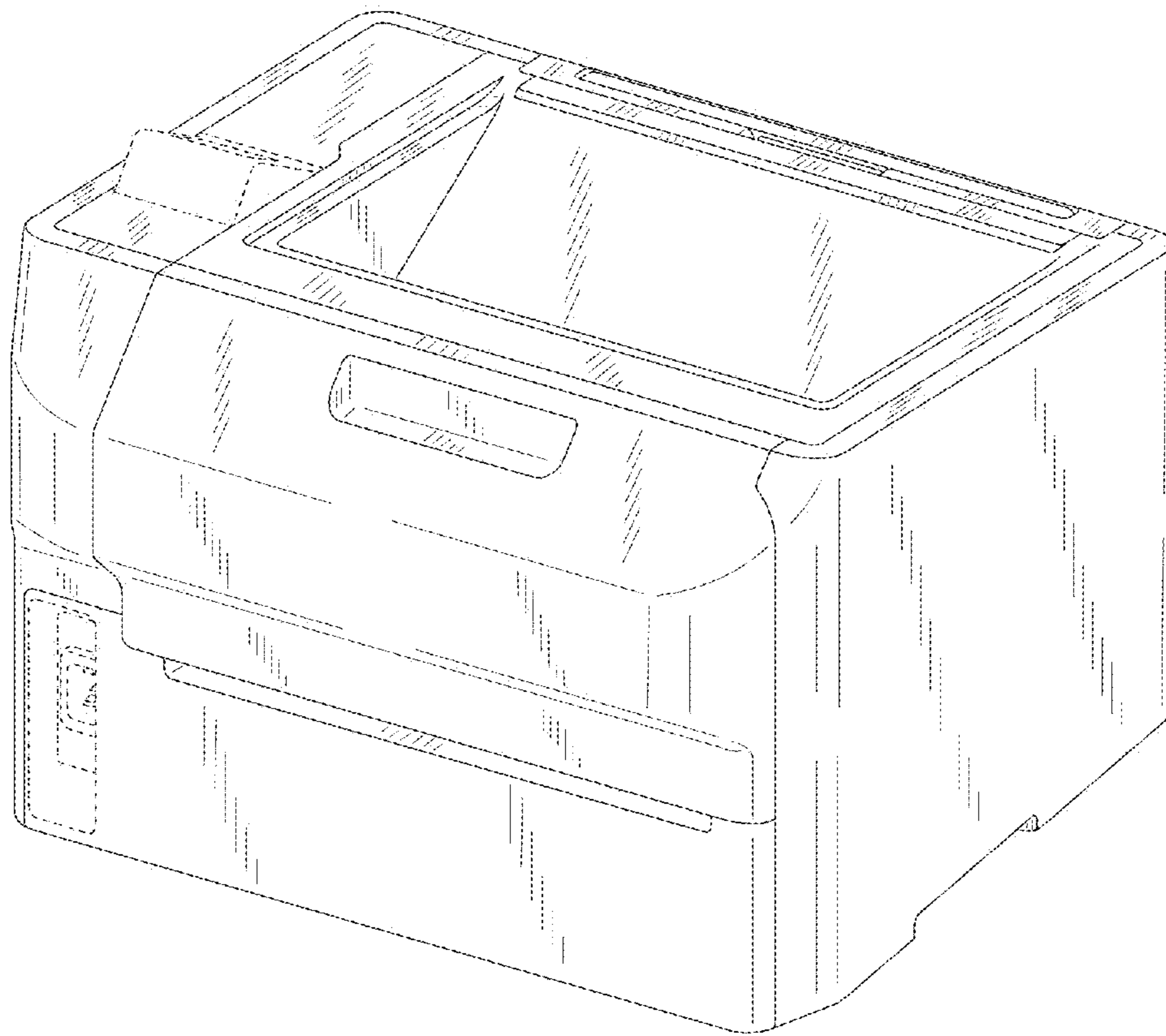


FIG. 3

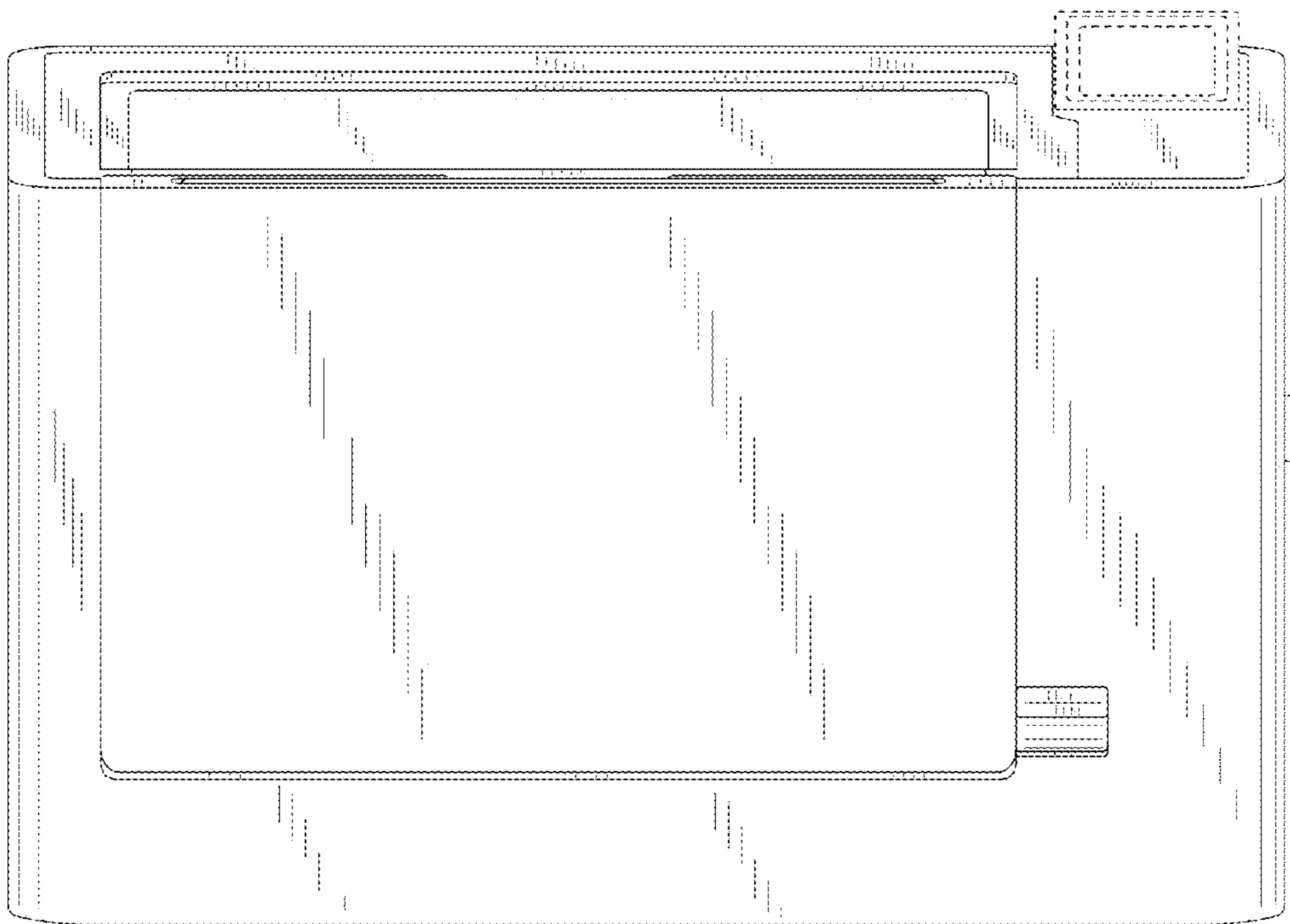


FIG. 4

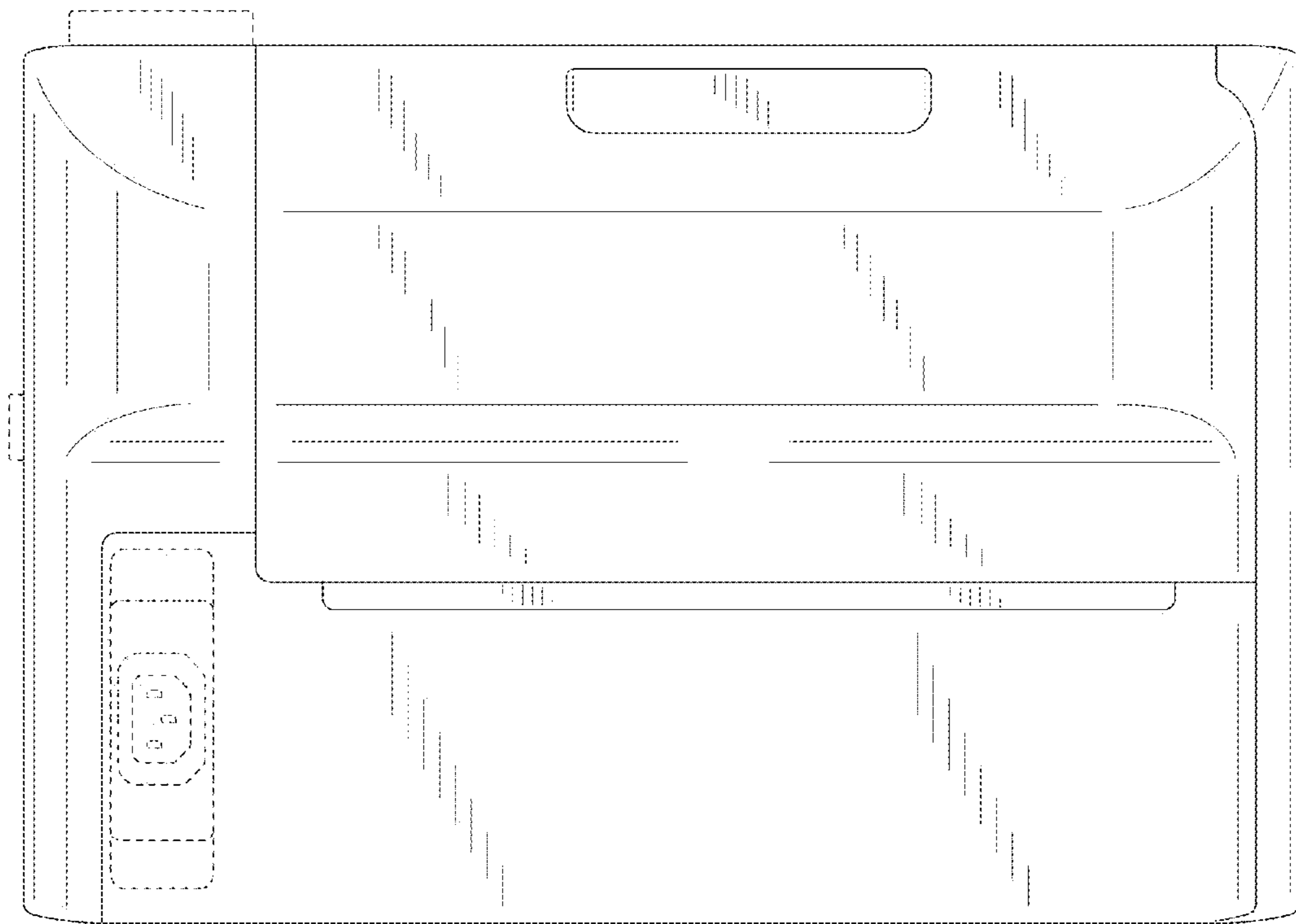


FIG. 5

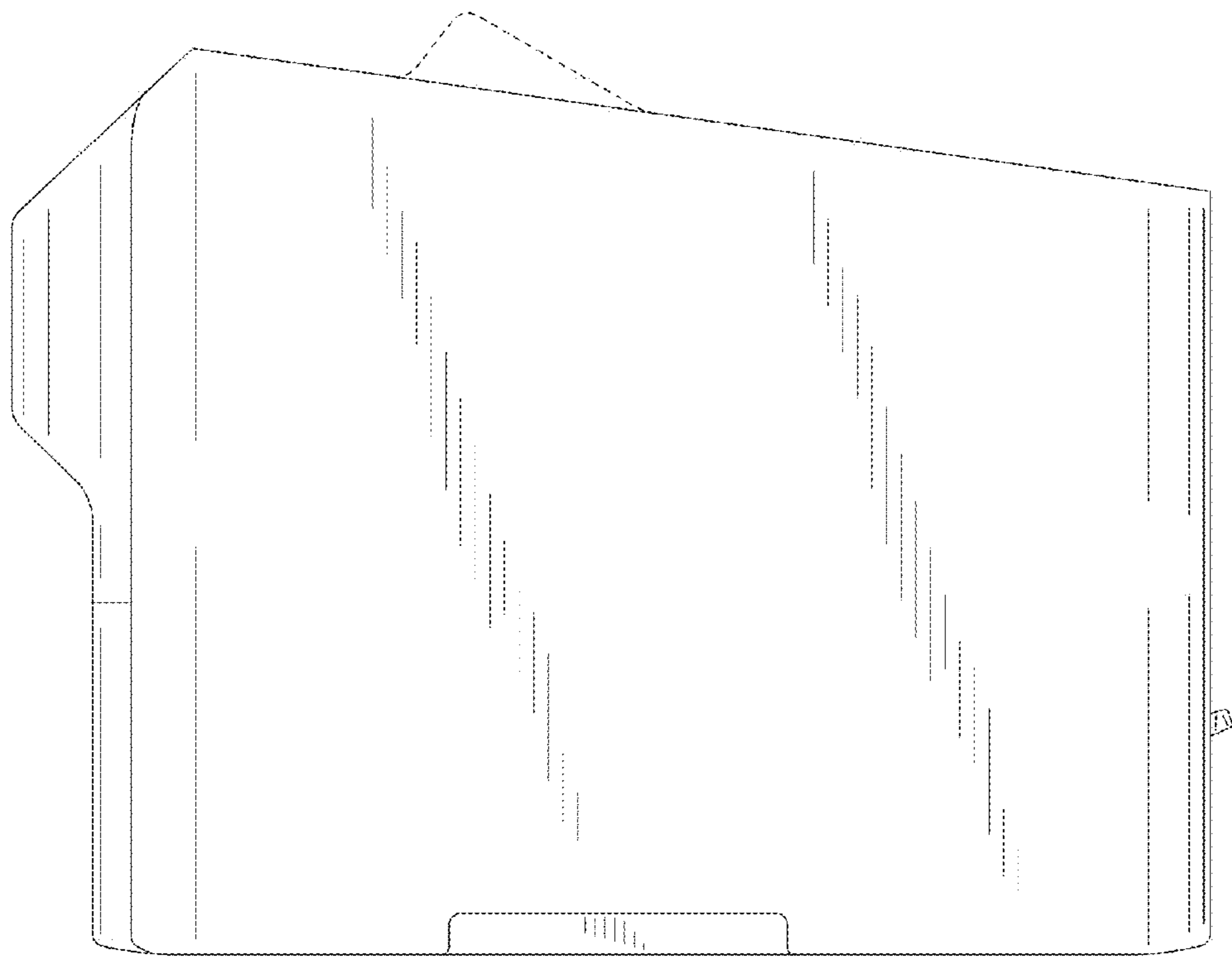


FIG. 6

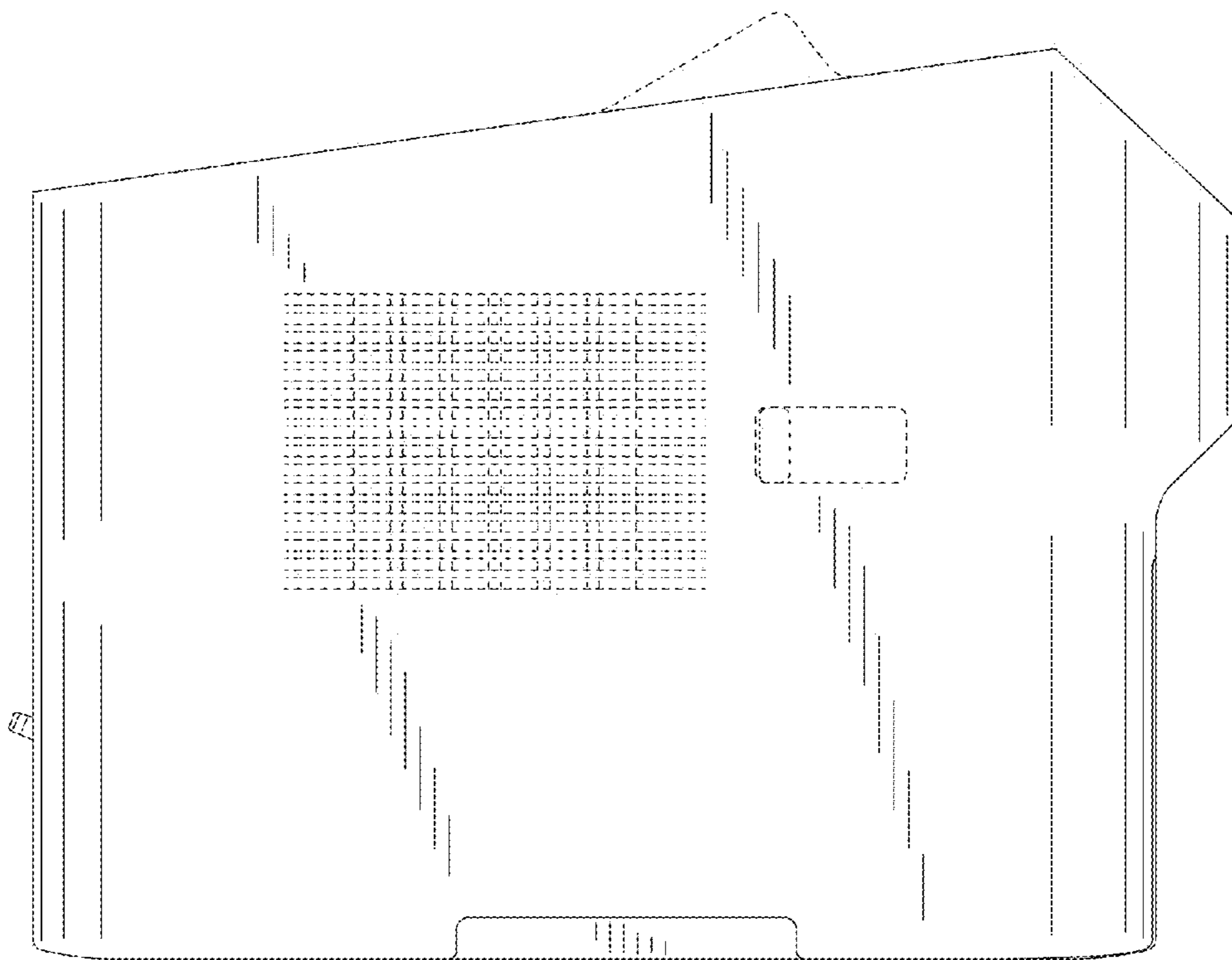


FIG. 7

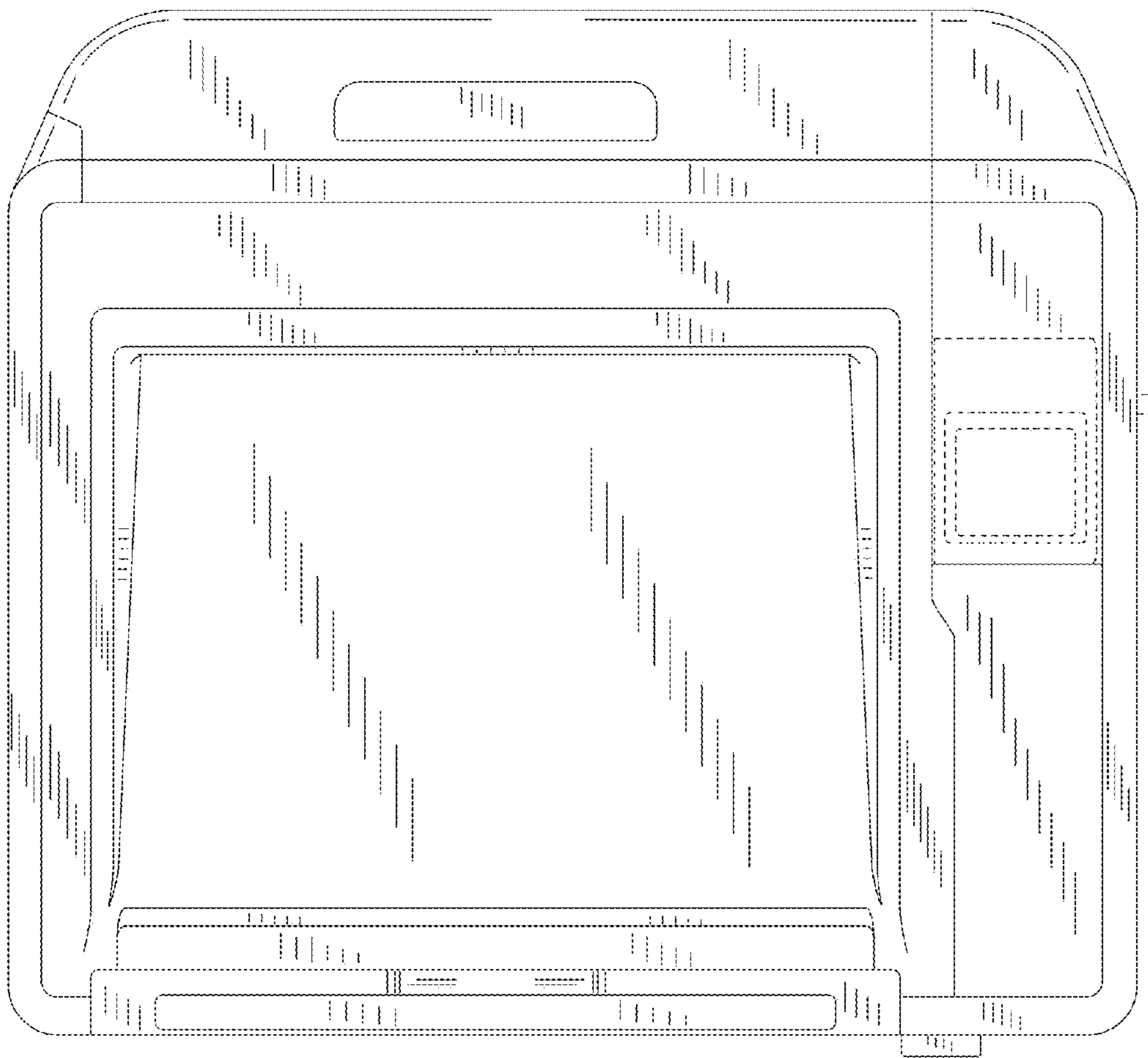


FIG. 8

