

US00D762214S

(12) **United States Design Patent**
Nguyen et al.

(10) **Patent No.:** **US D762,214 S**

(45) **Date of Patent:** **** Jul. 26, 2016**

(54) **MAGNETIC STRIPE READER CARD
STABILIZER**

(56) **References Cited**

U.S. PATENT DOCUMENTS

(71) Applicant: **Hewlett-Packard Development
Company, L.P.**, Houston, TX (US)

(72) Inventors: **Michael D. Nguyen**, Houston, TX (US);
Binh T. Truong, Houston, TX (US);
Peter W. Austin, Houston, TX (US)

(73) Assignee: **Hewlett-Packard Development
Company, L.P.**, Houston, TX (US)

D607,000 S	*	12/2009	Cheng	D14/385
D667,403 S	*	9/2012	Maus	D13/107
D680,537 S	*	4/2013	Miller	D14/385
D691,141 S	*	10/2013	Cruz	D14/307
D710,358 S	*	8/2014	Park	D14/385
D711,876 S	*	8/2014	McWilliam	D14/385
D719,159 S	*	12/2014	Nguyen	D14/385
D726,182 S	*	4/2015	Durham	D14/385
D728,568 S	*	5/2015	Debaigue	D14/385
D740,285 S	*	10/2015	Templeton	D14/385
D740,286 S	*	10/2015	Templeton	D14/385
D746,540 S	*	12/2015	Scott	D14/385

* cited by examiner

Primary Examiner — Austin Murphy

(74) *Attorney, Agent, or Firm* — Foley & Lardner

(57) **CLAIM**

We claim the ornamental design for a magnetic stripe reader card stabilizer, as shown and described.

DESCRIPTION

FIG. 1 is a top, front, left perspective view of the claimed design;

FIG. 2 is a front elevation view thereof;

FIG. 3 is a rear elevation view thereof;

FIG. 4 is a left elevation view thereof;

FIG. 5 is a right elevation view thereof;

FIG. 6 is a top plan view thereof; and,

FIG. 7 is a bottom plan view thereof.

The ornamental design which is claimed is shown in solid lines in the drawings. The broken lines in the drawings form no part of the claimed design. Included herewith is an appendix including drawings according to the present invention using drafting techniques to comply with foreign practice and to provide support for foreign filing.

(**) Term: **14 Years**

(21) Appl. No.: **29/515,252**

(22) Filed: **Jan. 21, 2015**

(51) **LOC (10) Cl.** **14-02**

(52) **U.S. Cl.**

USPC **D14/385**

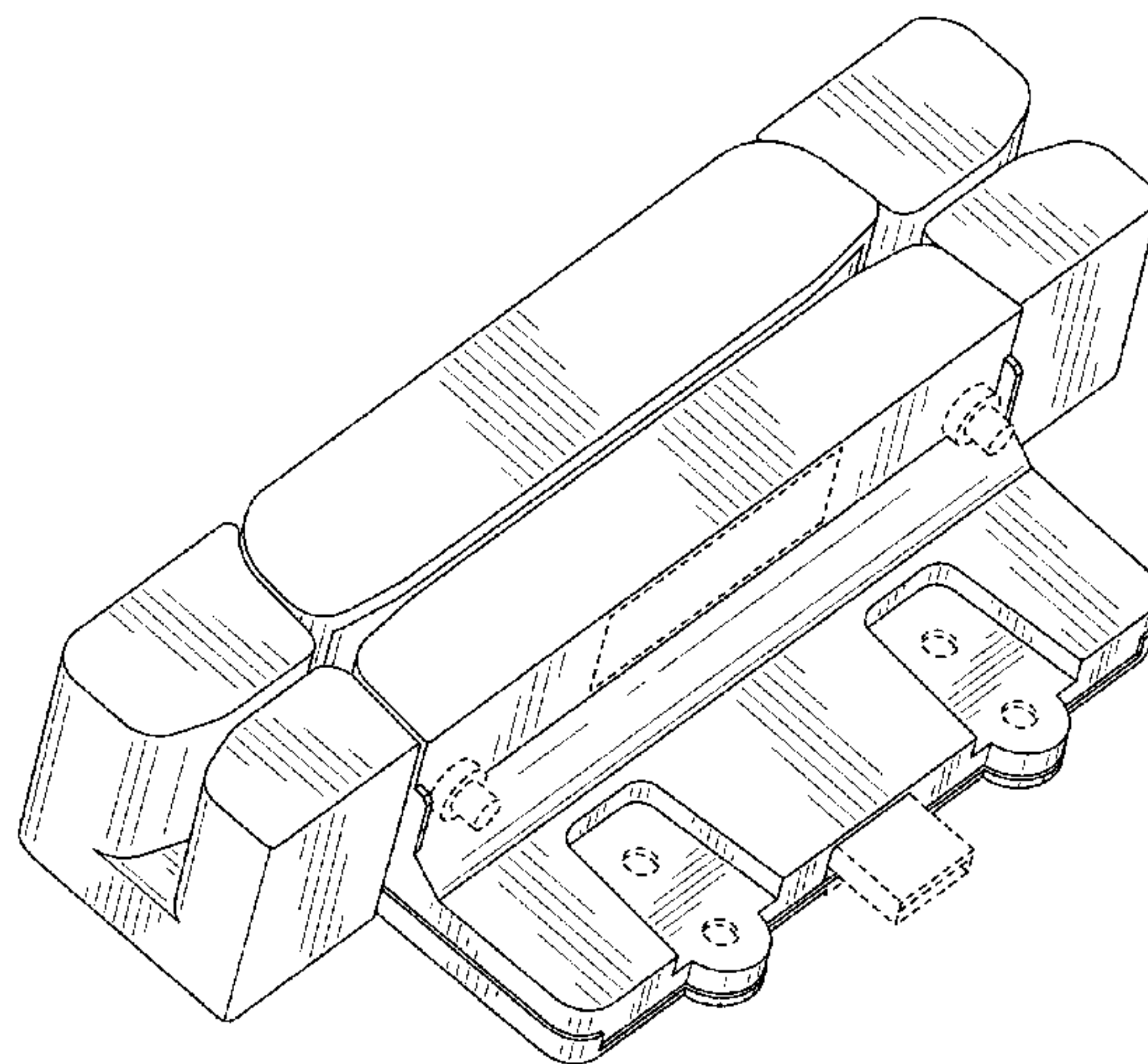
(58) **Field of Classification Search**

USPC D14/356–358, 383–385, 420, 426, 427,
D14/432–439, 447, 453, 454, 217, 253,
D14/299; D13/107, 108, 133, 146, 147,
D13/152, 154, 156, 158, 162, 162.1, 168,
D13/173, 177, 102; 235/441, 451, 492, 380,
235/439, 375; 361/679.31, 600, 679.01,
361/679.02

CPC ... G06Q 20/347; G06Q 20/322; G06Q 40/02;
G06Q 30/06; G07F 7/0886

See application file for complete search history.

1 Claim, 5 Drawing Sheets



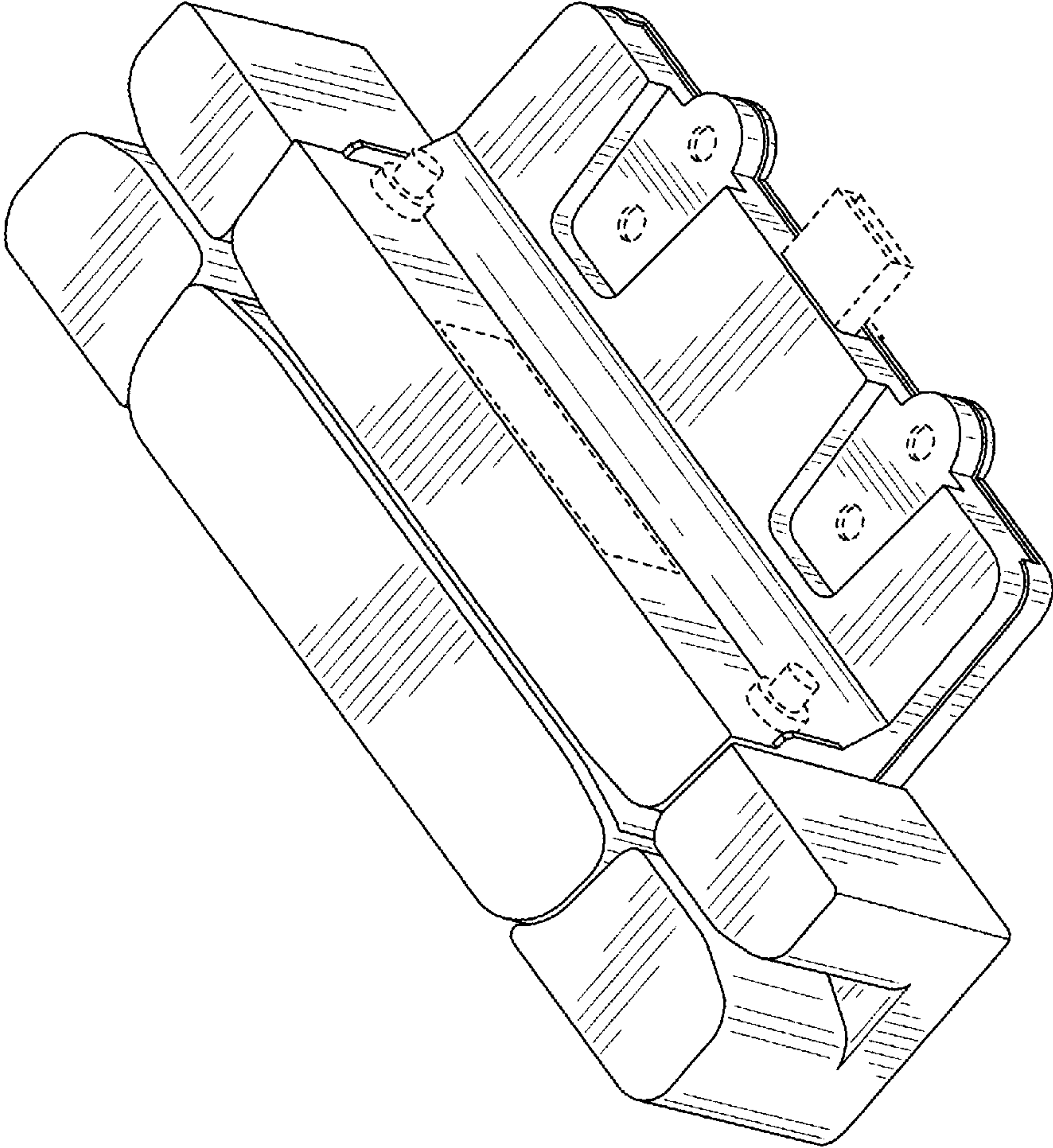


FIG. 1

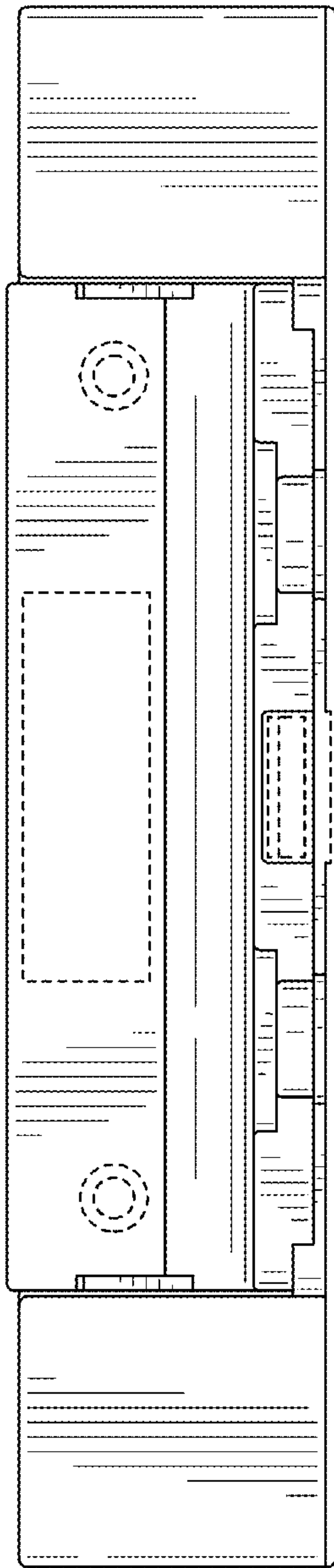


FIG. 2

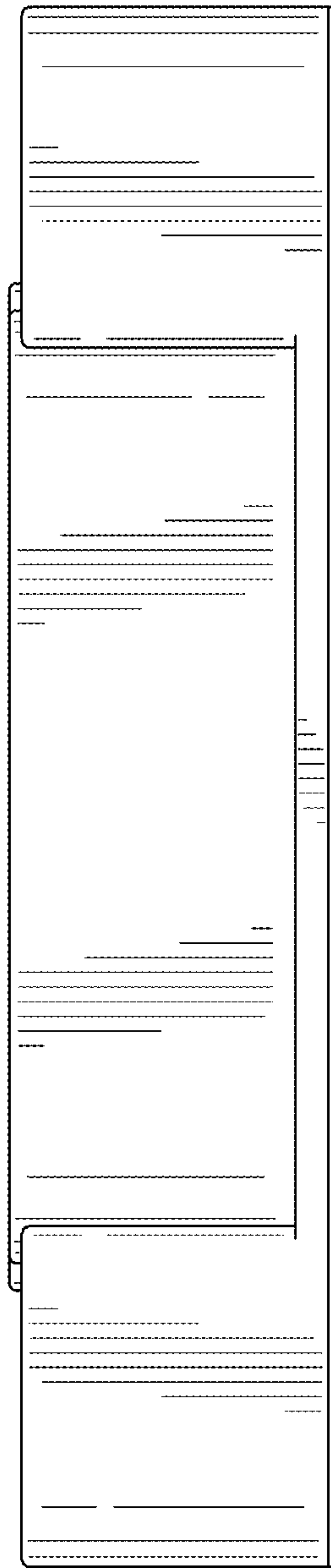


FIG. 3

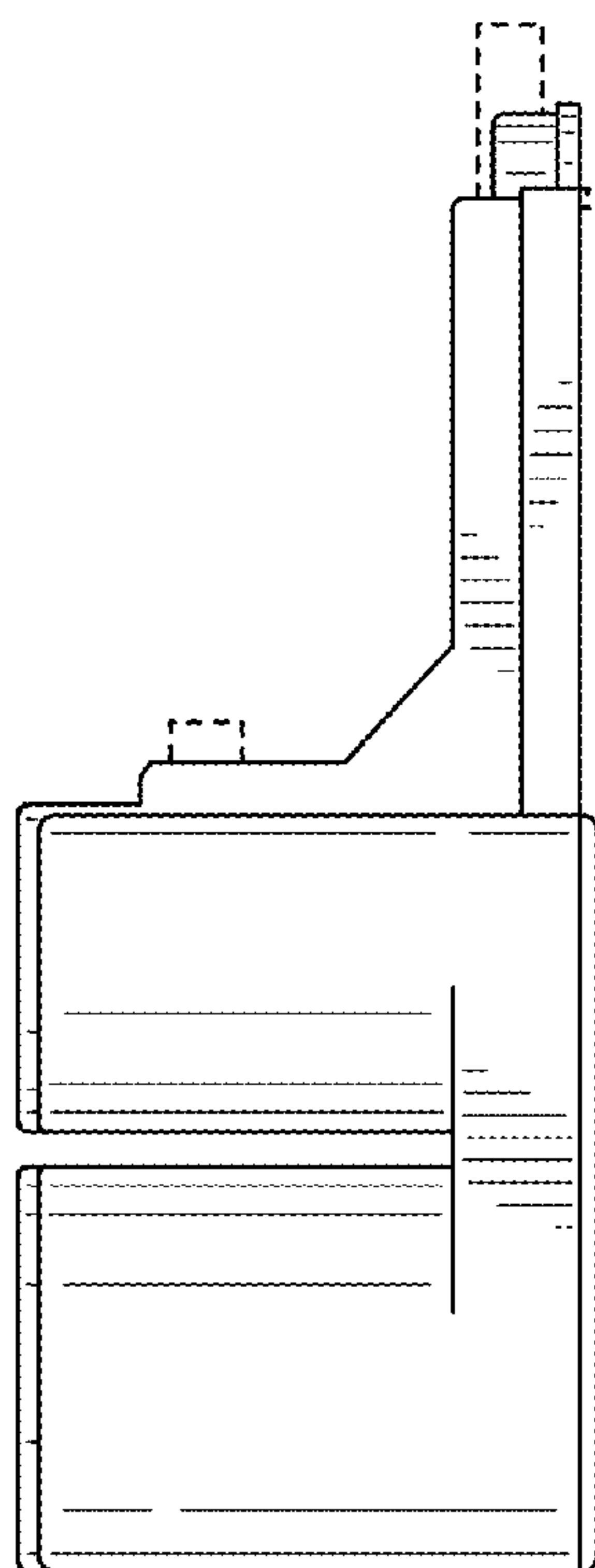


FIG. 4

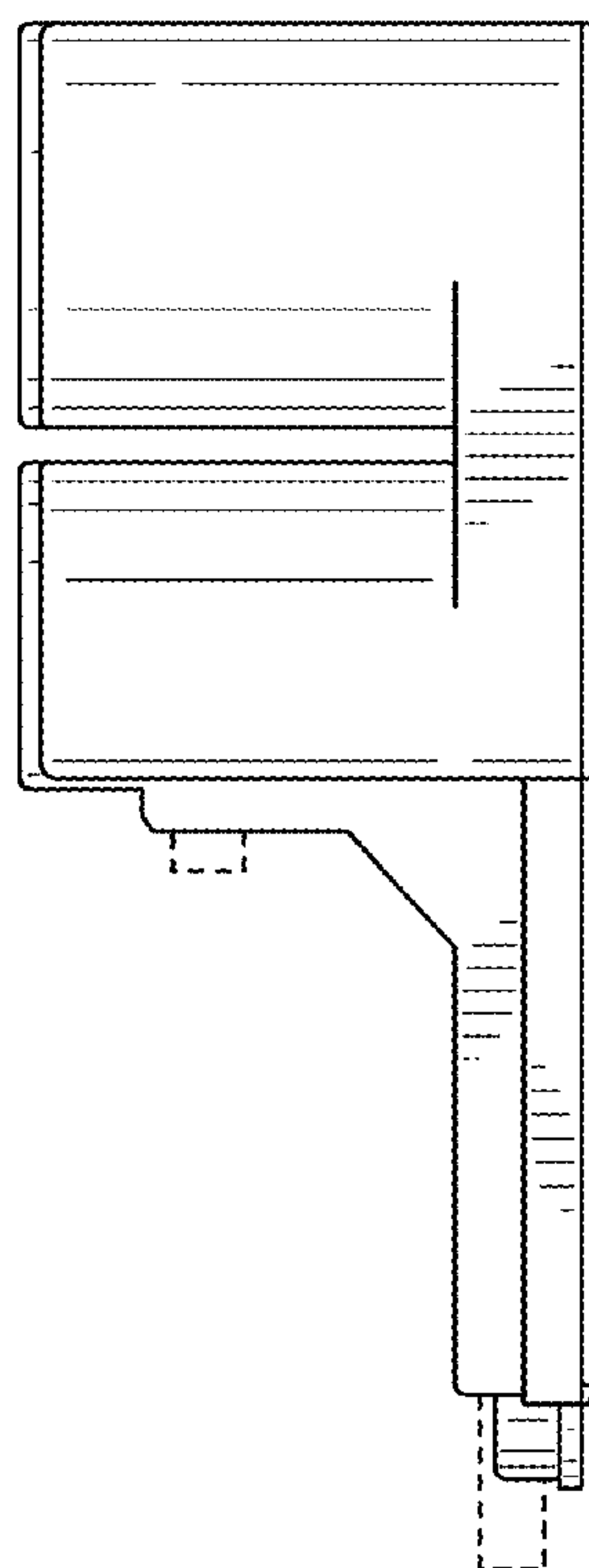


FIG. 5

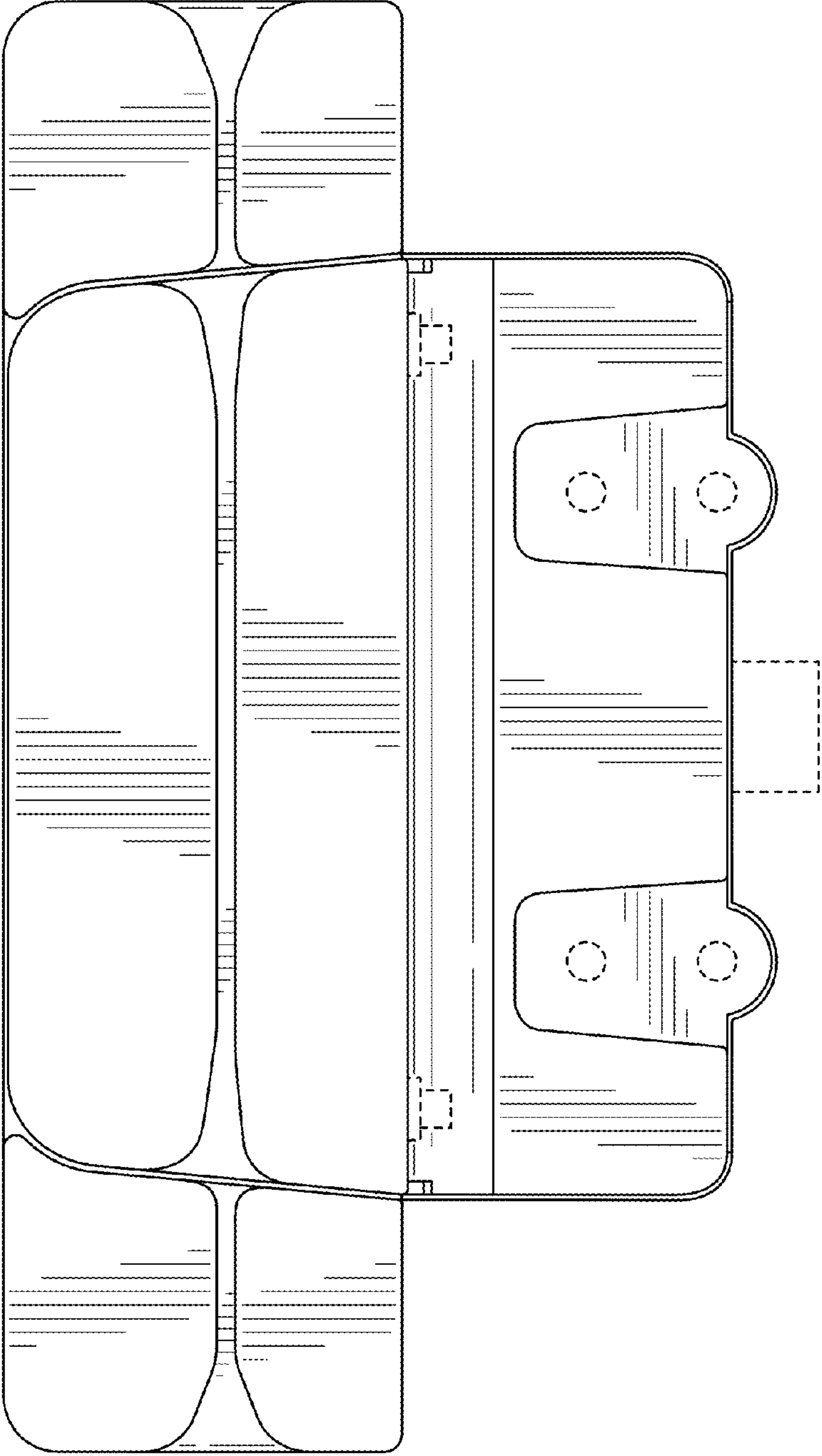


FIG. 6

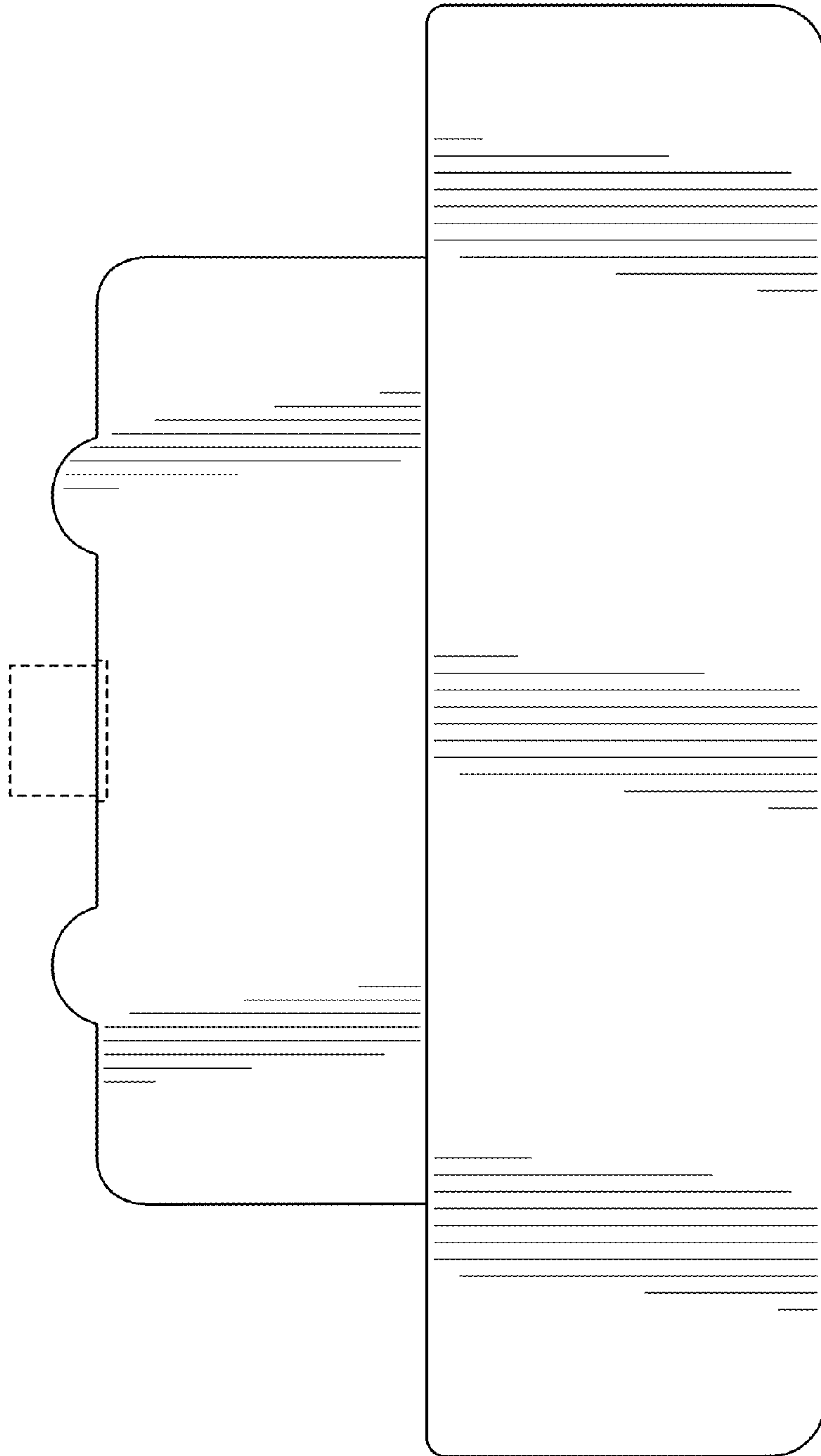


FIG. 7