

US00D762213S

(12) **United States Design Patent**
Won et al.

(10) **Patent No.:** **US D762,213 S**
(45) **Date of Patent:** **** Jul. 26, 2016**

(54) **MONITOR**

(71) Applicant: **Samsung Electronics Co., Ltd.**,
Suwon-si (KR)

(72) Inventors: **Tae-Yeon Won**, Seoul (KR); **Gil-Jae Lee**, Seoul (KR)

(73) Assignee: **Samsung Electronics Co., Ltd.**,
Suwon-si (KR)

(**) Term: **14 Years**

(21) Appl. No.: **29/522,251**

(22) Filed: **Mar. 30, 2015**

(30) **Foreign Application Priority Data**

Dec. 8, 2014 (KR) 30-2014-0059615

(51) **LOC (10) Cl.** **14-02**

(52) **U.S. Cl.**
USPC **D14/374**

(58) **Field of Classification Search**
USPC D14/371-375, 125-129, 336, 337;
341/12; 345/104, 156, 168, 173;
348/180, 184, 325, 739; 349/1, 2, 11,
349/62; 361/679.05-679.07, 679.21;
D6/300, 308
CPC G06F 1/16; G06F 1/1601; G06F 3/037;
G06F 1/162; F16M 11/02; F16M 11/10;
F16M 11/00
See application file for complete search history.

(56) **References Cited**

U.S. PATENT DOCUMENTS

D486,486 S 2/2004 Jobs et al.

D509,826 S 9/2005 Jobs et al.
D622,233 S 8/2010 Shin et al.
D635,975 S * 4/2011 Seo D14/374
D657,790 S * 4/2012 Lee D14/374
D684,944 S * 6/2013 Seong D14/126
D704,708 S * 5/2014 Huh D14/374
2011/0096486 A1* 4/2011 Oh F16M 11/10
361/679.21

FOREIGN PATENT DOCUMENTS

KR 30-2005-0009640 2/2006
KR 30-2011-0014352 6/2012

* cited by examiner

Primary Examiner — Freda S Nunn

(74) *Attorney, Agent, or Firm* — NSIP Law

(57) **CLAIM**

We claim the ornamental design for a monitor, as shown and described.

DESCRIPTION

FIG. 1 is a front perspective view of a monitor showing our new design;
FIG. 2 is a front view thereof;
FIG. 3 is a rear view thereof;
FIG. 4 is a left-side view thereof;
FIG. 5 is a right-side view thereof;
FIG. 6 is a top view thereof;
FIG. 7 is a bottom view thereof;
FIG. 8 is a rear perspective view thereof; and,
FIG. 9 is a right-side view of the monitor shown in a collapsed position.
The broken lines in the figures show portions of the monitor which form no part of the claimed design.

1 Claim, 9 Drawing Sheets

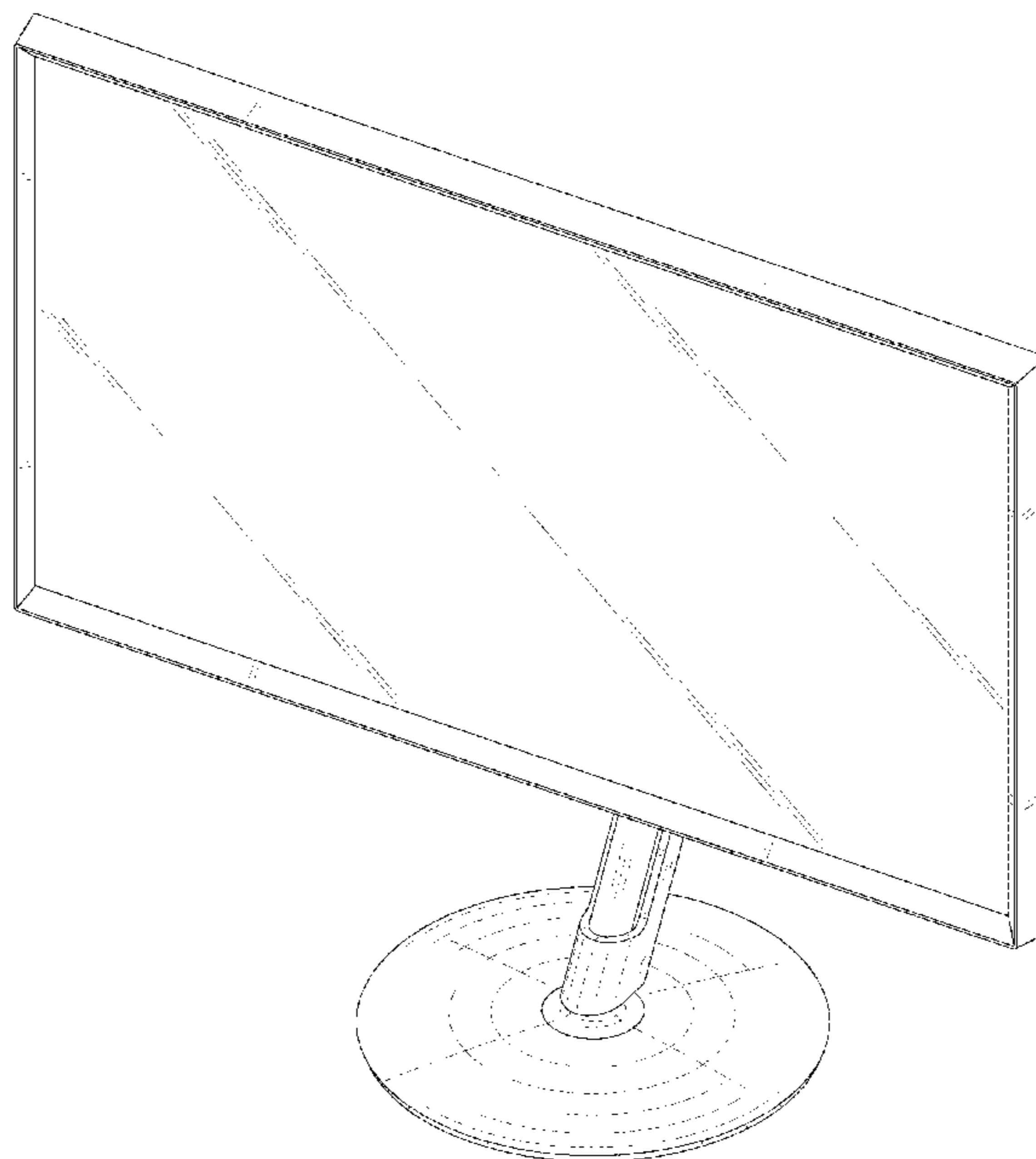


FIG. 1

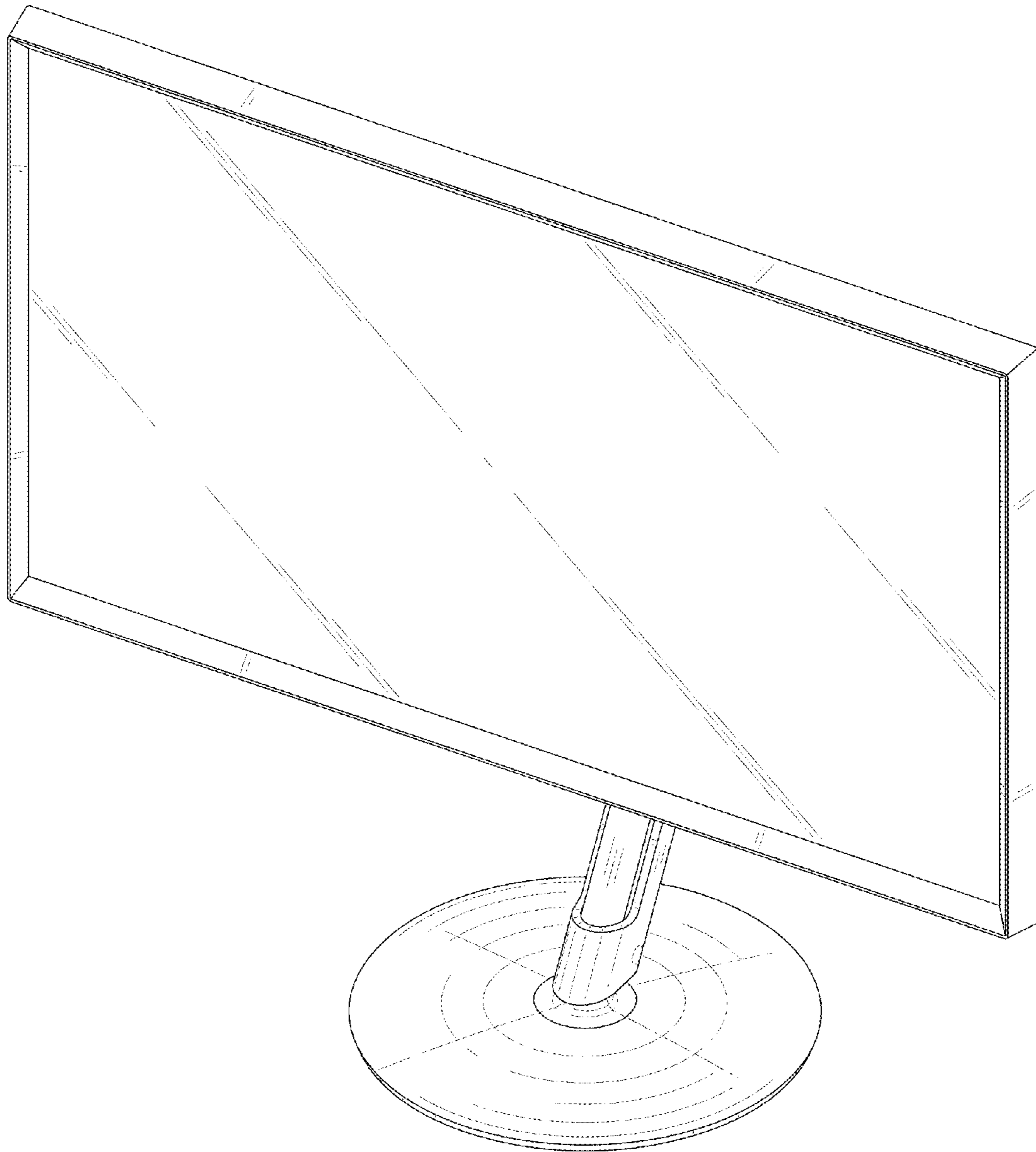


FIG. 2

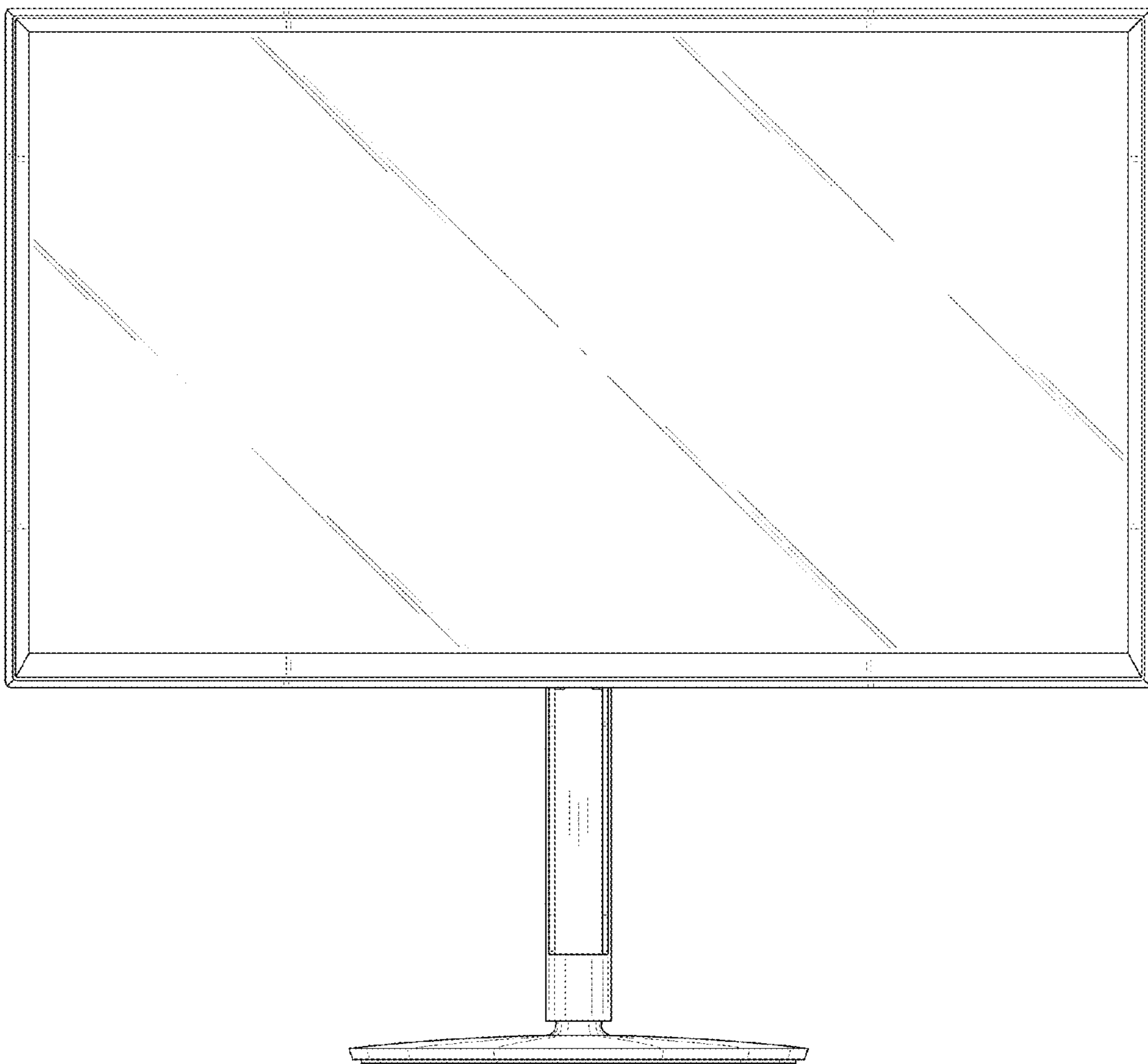


FIG. 3

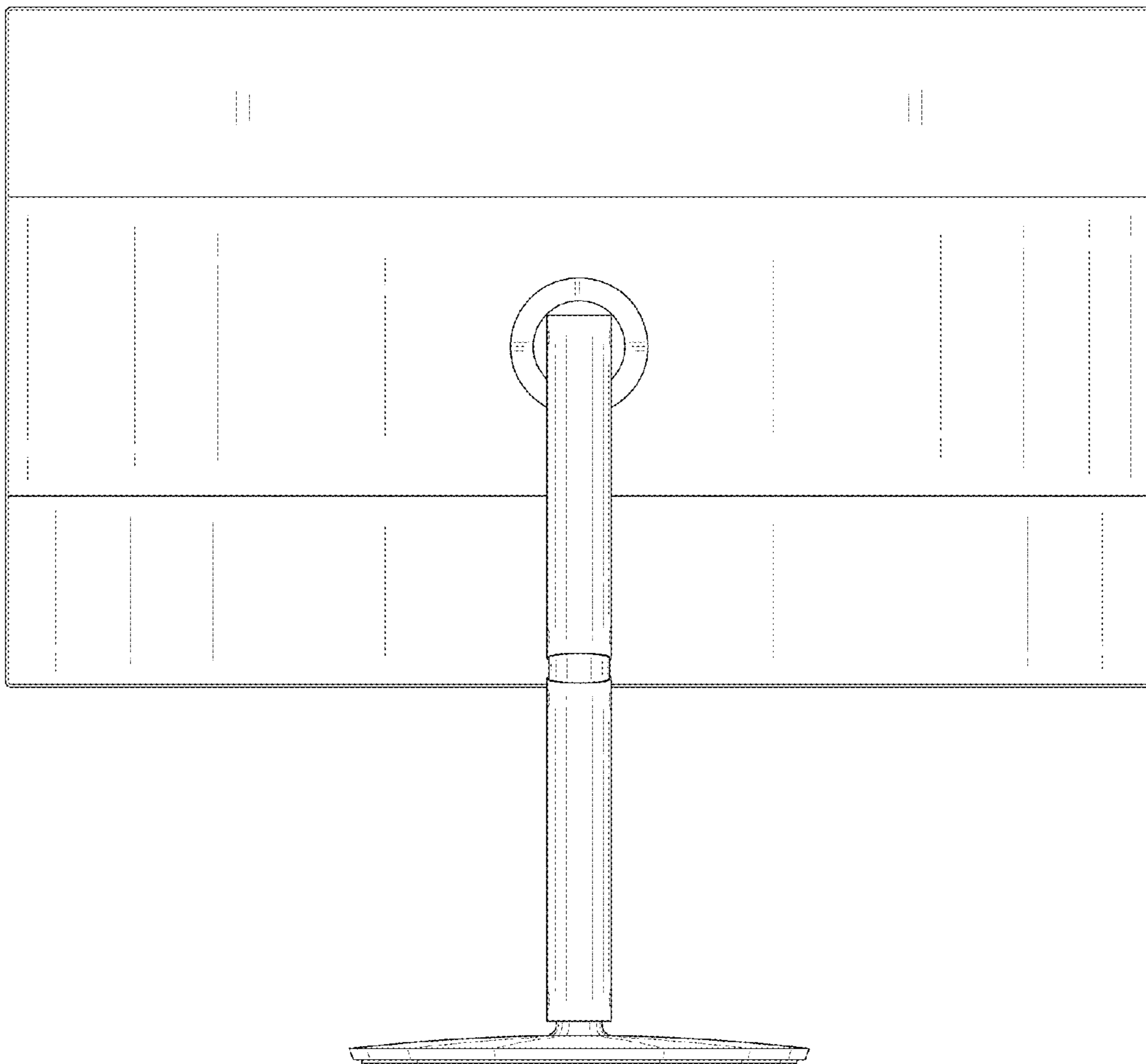


FIG. 4

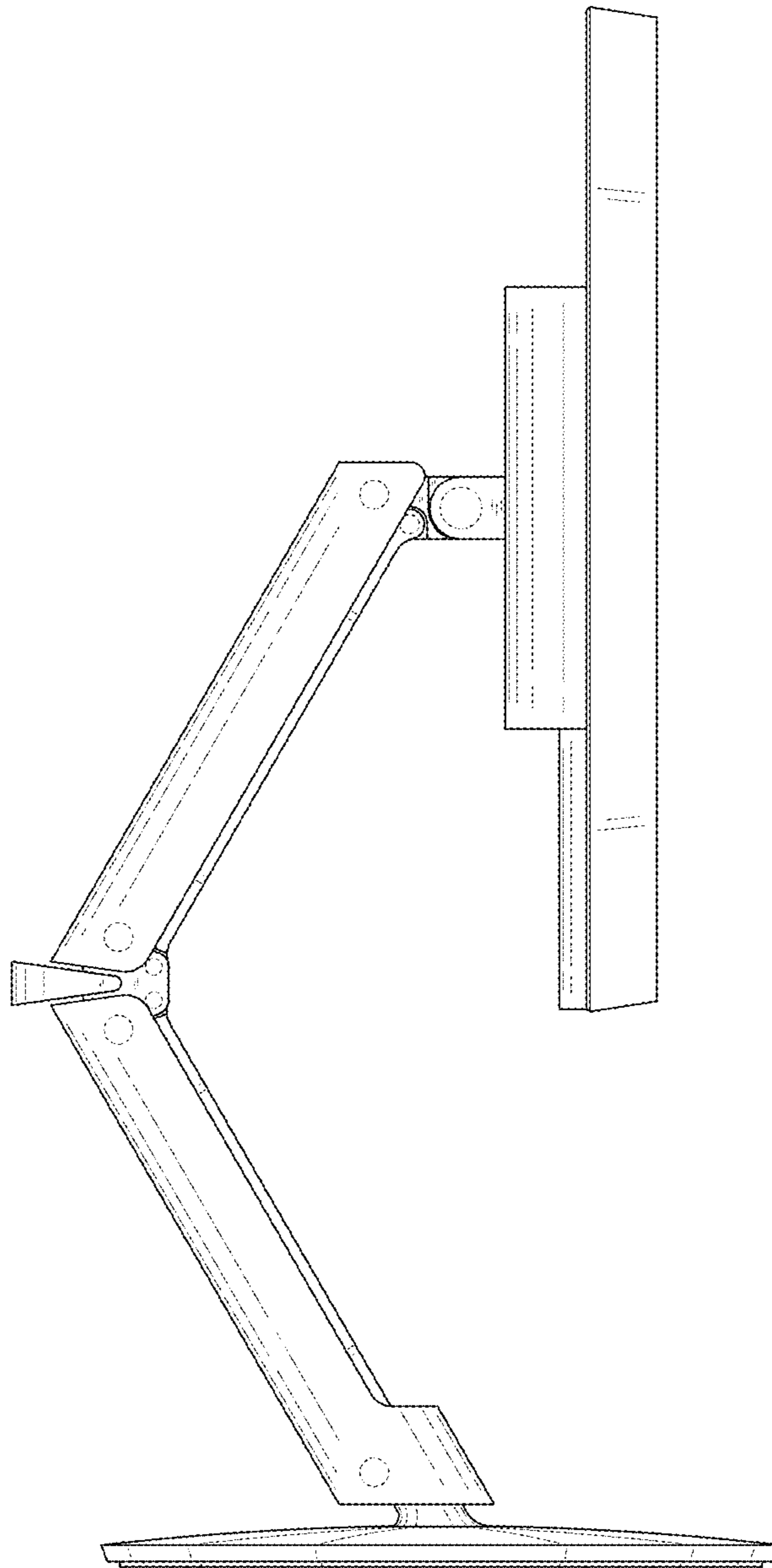


FIG. 5

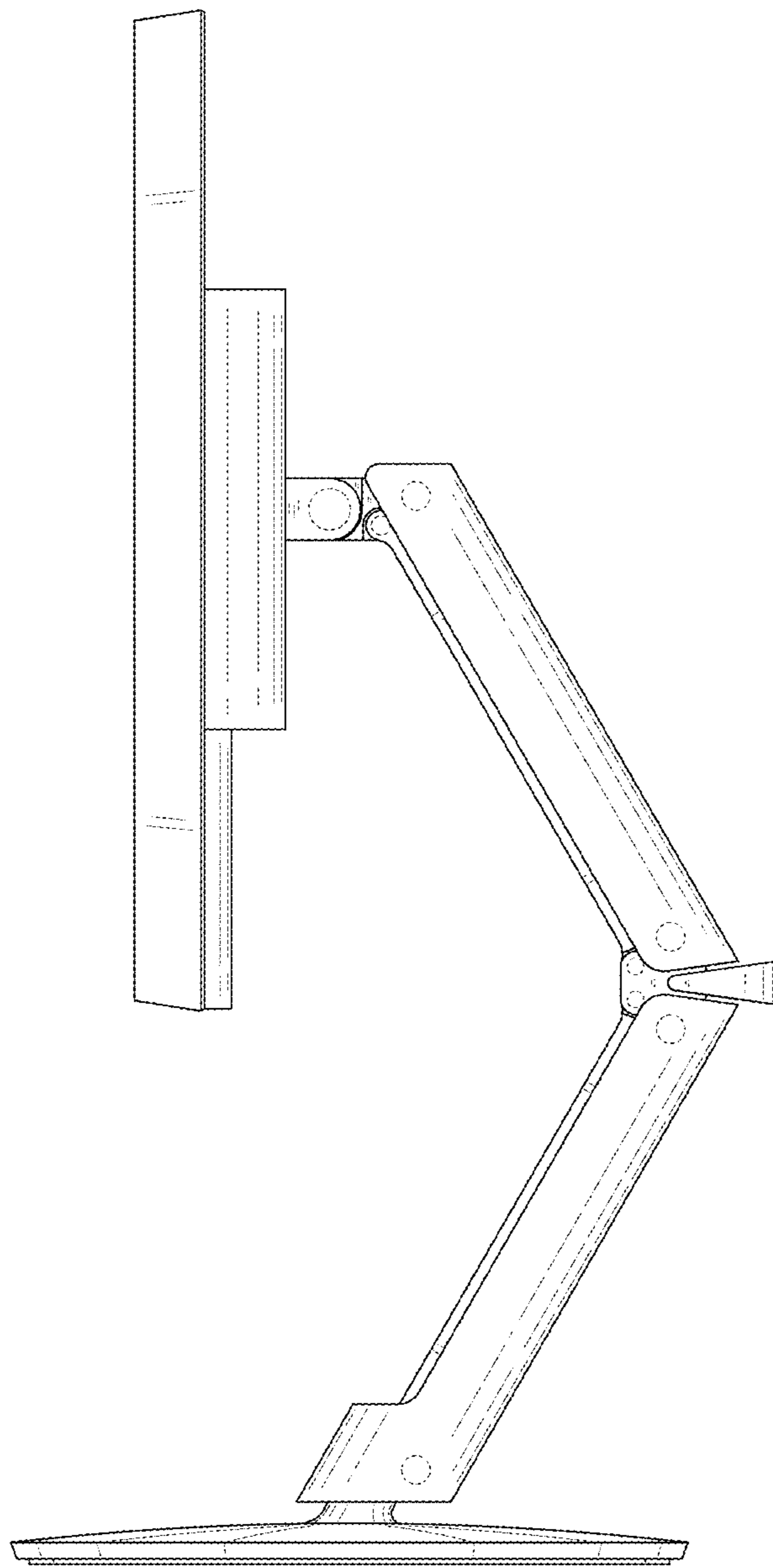


FIG. 6

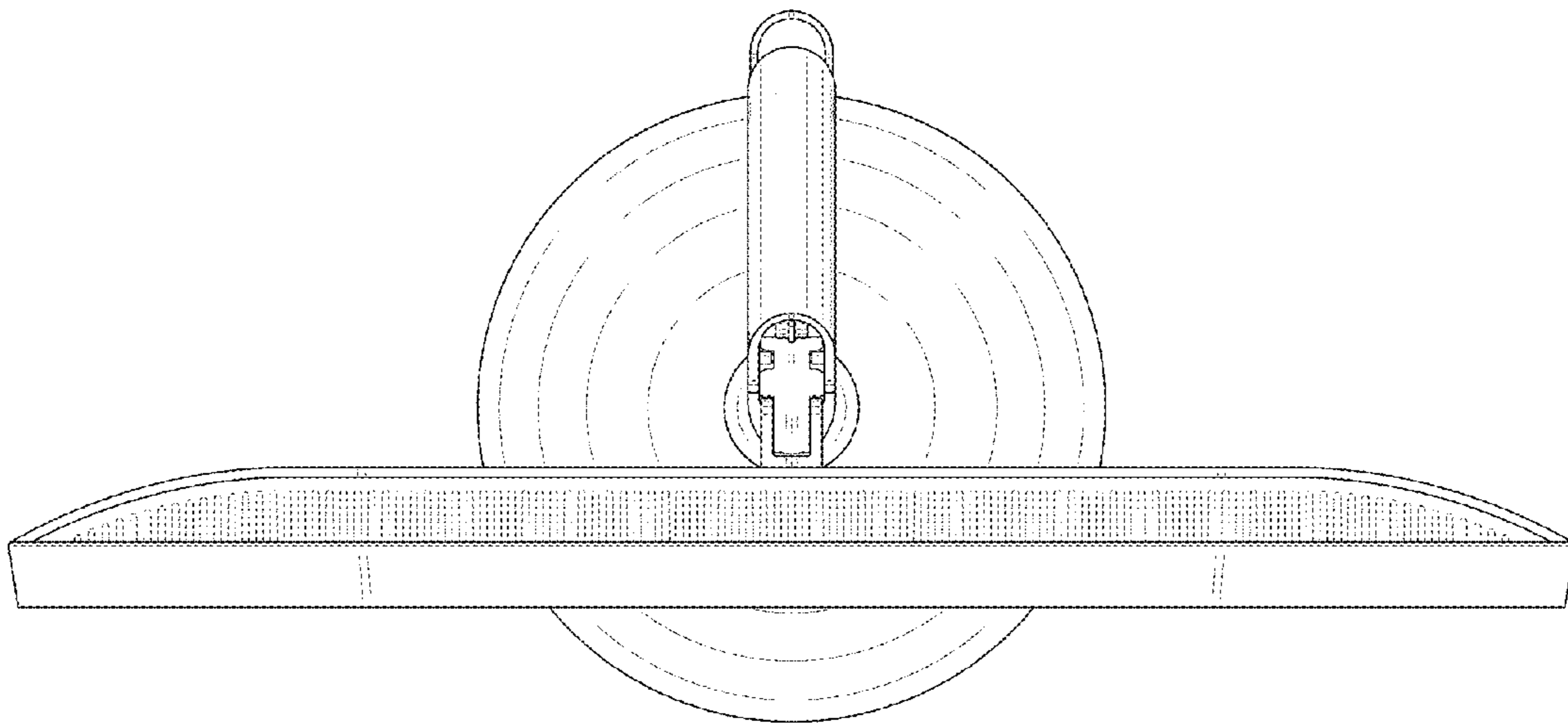


FIG. 7

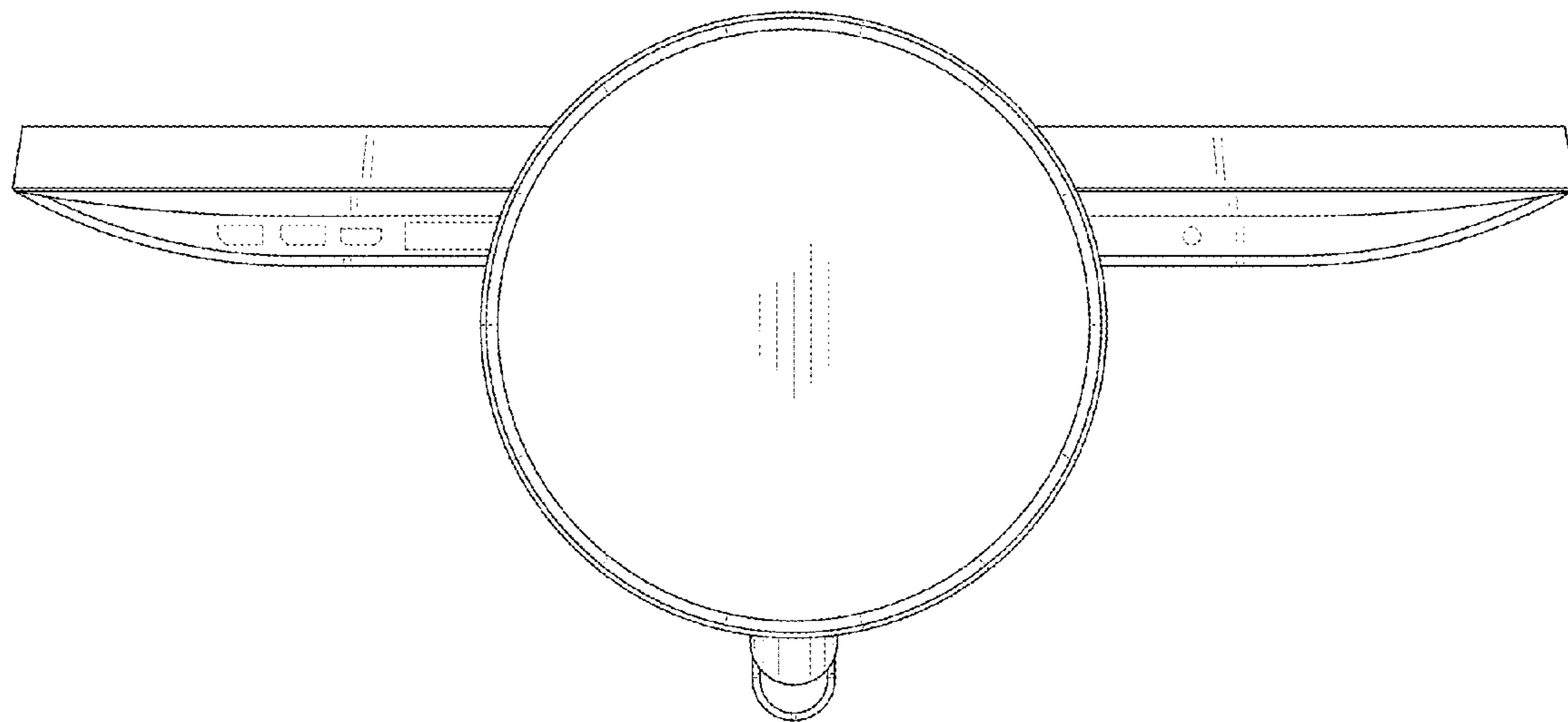


FIG. 8

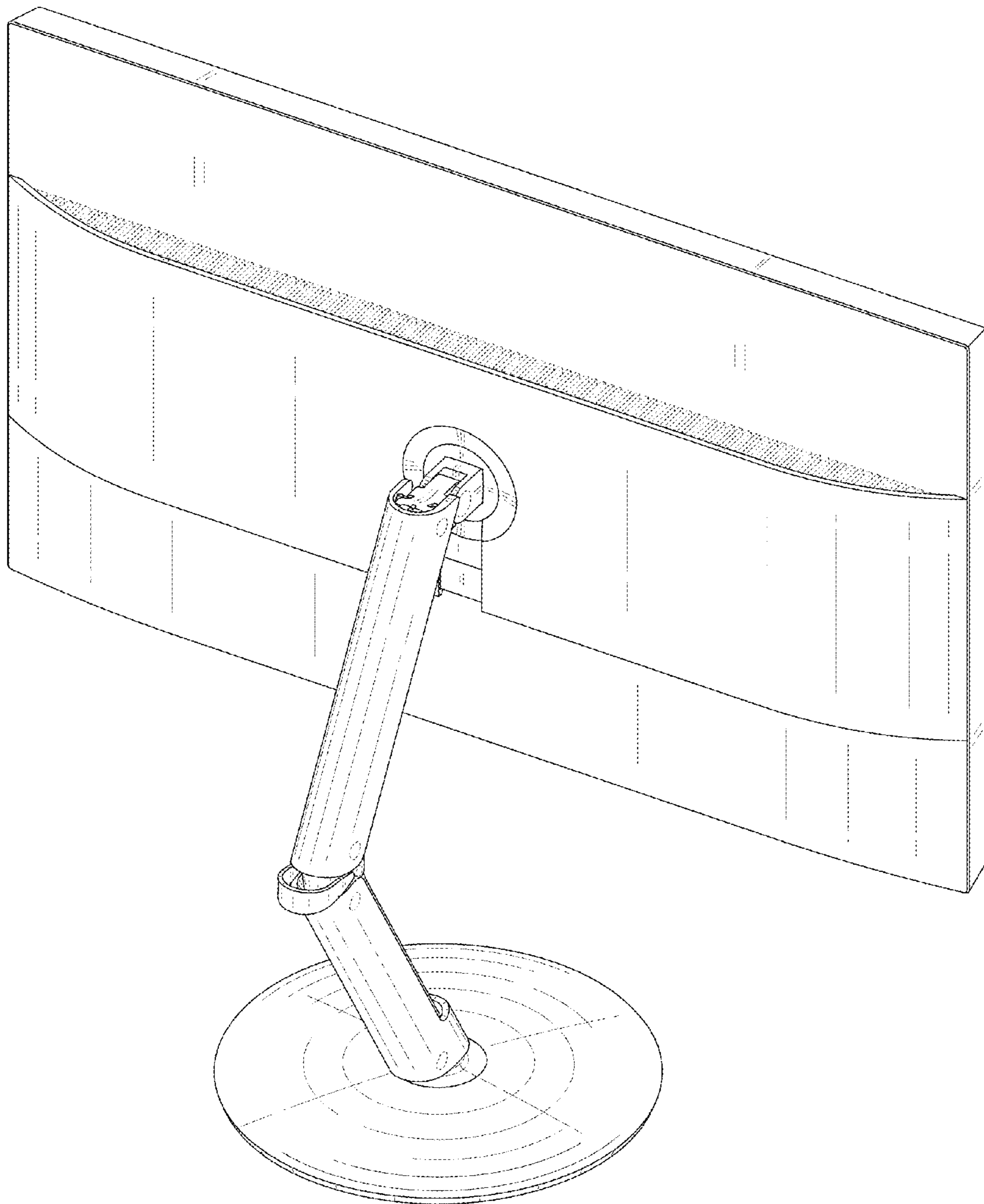


FIG. 9

