



US00D762212S

(12) **United States Design Patent**
Iritani et al.

(10) **Patent No.:** **US D762,212 S**
(45) **Date of Patent:** **** Jul. 26, 2016**

(54) **WEARABLE IMAGE DISPLAY DEVICE**

(71) Applicant: **Konica Minolta, Inc.**, Chiyoda-ku,
Tokyo (JP)

(72) Inventors: **Yu Iritani**, Machida (JP); **Takanori Oshima**, Saitama (JP); **Kazuo Kawasaki**, Osaka (JP)

(73) Assignee: **KONICA MINOLTA, INC.**,
Chiyoda-Ku, Tokyo (JP)

(**) Term: **14 Years**

(21) Appl. No.: **29/519,802**

(22) Filed: **Mar. 9, 2015**

(30) **Foreign Application Priority Data**

Sep. 11, 2014 (JP) 2014-020213
Sep. 11, 2014 (JP) 2014-020214
Sep. 11, 2014 (JP) 2014-020218

(51) **LOC (10) Cl.** **14-02**

(52) **U.S. Cl.**
USPC **D14/372**

(58) **Field of Classification Search**
USPC D14/372, 496, 432, 371, 125, 126, 129,
D14/299; D16/300-342; 351/158, 153, 144;
345/7-9, 905; 455/344; 348/115, 53,
348/121, 739
CPC G02B 27/017; G02B 27/0158; G02B
27/0161; G02B 27/0181; G02B 27/0185;
G02B 27/0189
See application file for complete search history.

(56) **References Cited**

U.S. PATENT DOCUMENTS

D659,137 S * 5/2012 Matsumoto D14/372

D702,234 S * 4/2014 Pombo D14/372
D704,705 S * 5/2014 Mehin D14/372
D718,305 S * 11/2014 Olsson D14/372
D727,317 S * 4/2015 Olsson D14/372
D730,352 S * 5/2015 Chow D14/372
D736,771 S * 8/2015 West D14/372
D740,812 S * 10/2015 Bosveld D14/372
D740,813 S * 10/2015 Bosveld D14/372
D740,816 S * 10/2015 Bosveld D14/372
D741,322 S * 10/2015 Bosveld D14/372

FOREIGN PATENT DOCUMENTS

JP 1328000 S 4/2008
KR 30-0553508 2/2010

OTHER PUBLICATIONS

Office Action issued on Mar. 2, 2015, by the Japanese Patent Office in corresponding Japanese Patent Application No. 2014-020215, with an English translation of the Office Action. (2 pages).

Primary Examiner — Austin Murphy

(74) *Attorney, Agent, or Firm* — Buchanan Ingersoll & Rooney PC

(57) **CLAIM**

The ornamental design for a wearable image display device, as shown and described.

DESCRIPTION

FIG. 1 is a perspective view of a wearable image display device showing our new design;
FIG. 2 is a front view thereof;
FIG. 3 is a rear view thereof;
FIG. 4 is a top plan view thereof;
FIG. 5 is a bottom plan view thereof;
FIG. 6 is a right side view thereof; and,
FIG. 7 is a left side view thereof.

1 Claim, 7 Drawing Sheets

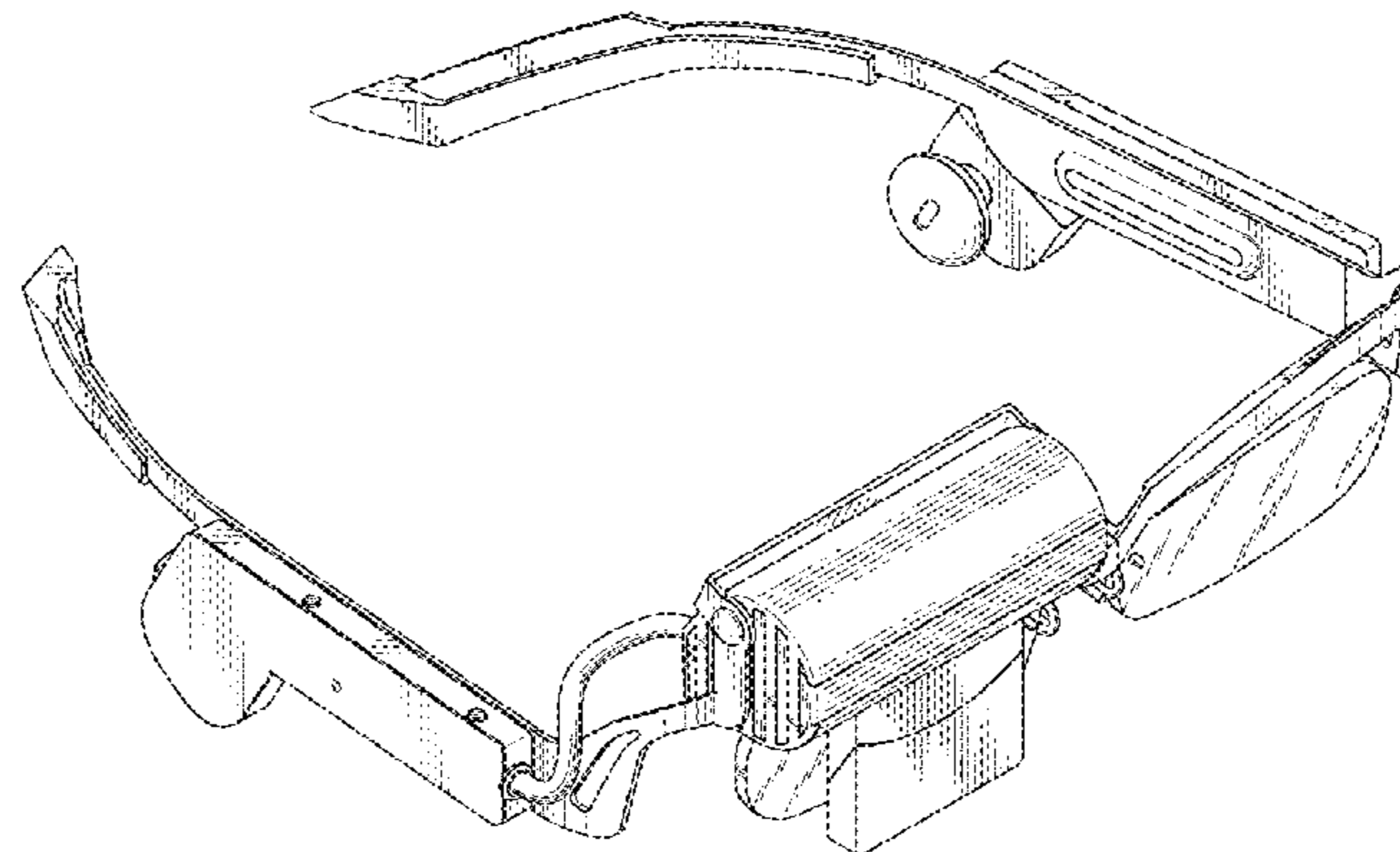


FIG. 1

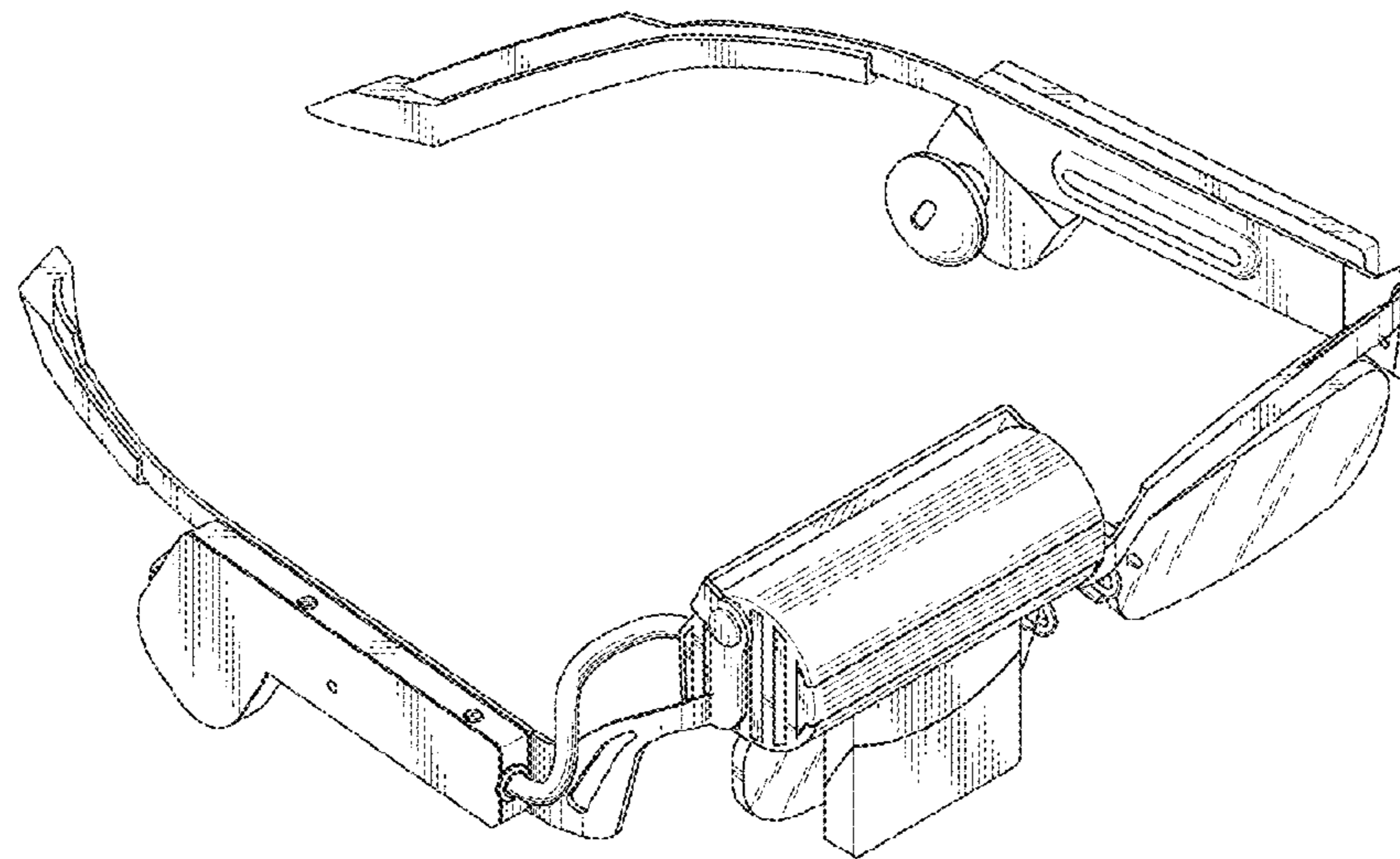


FIG.2

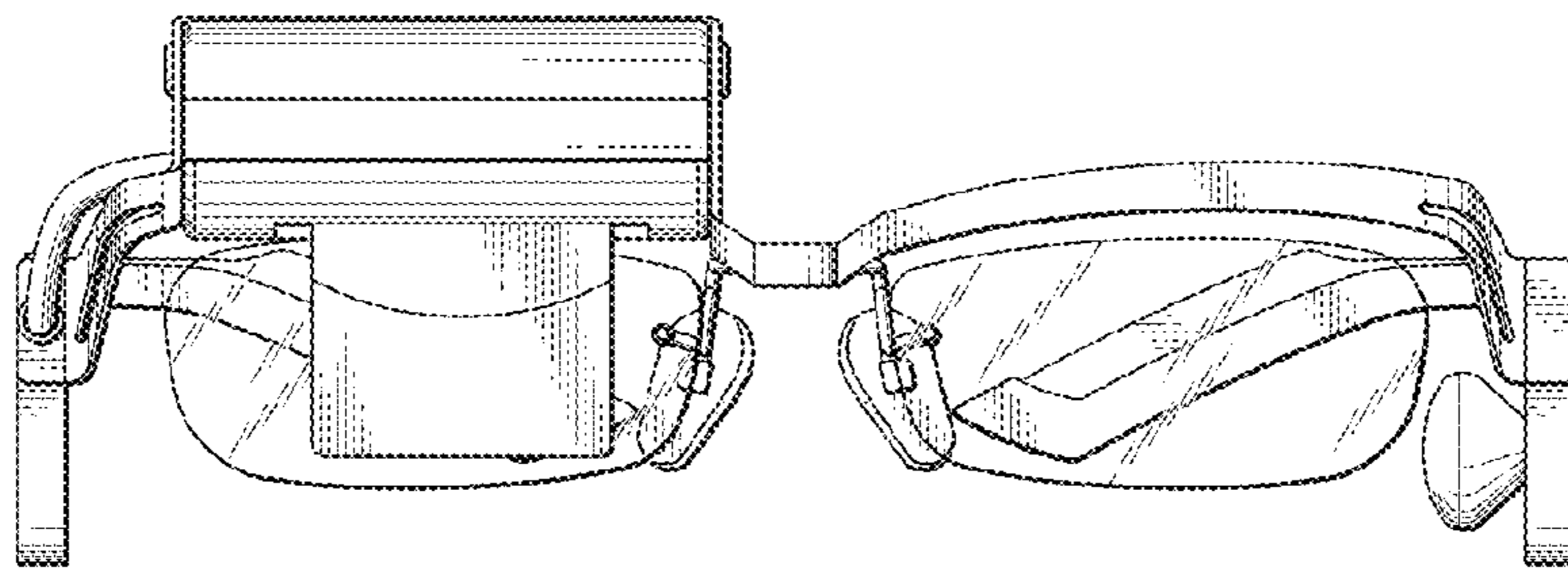


FIG.3

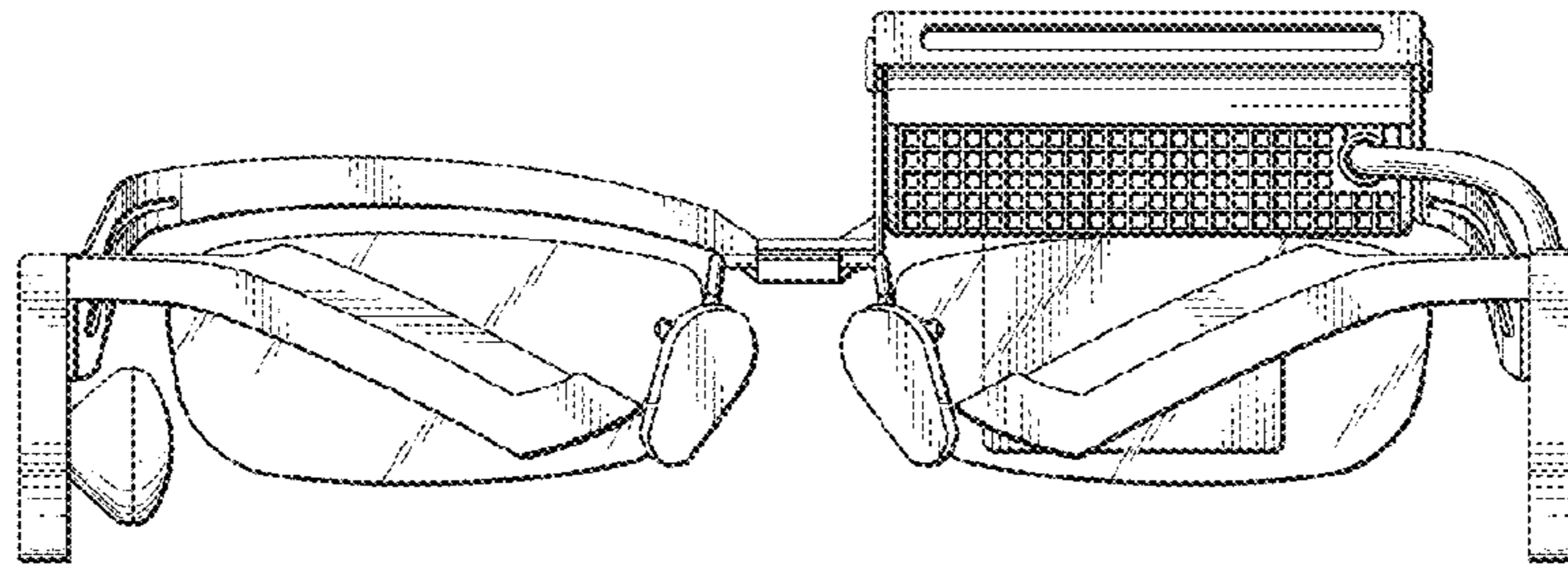


FIG.4

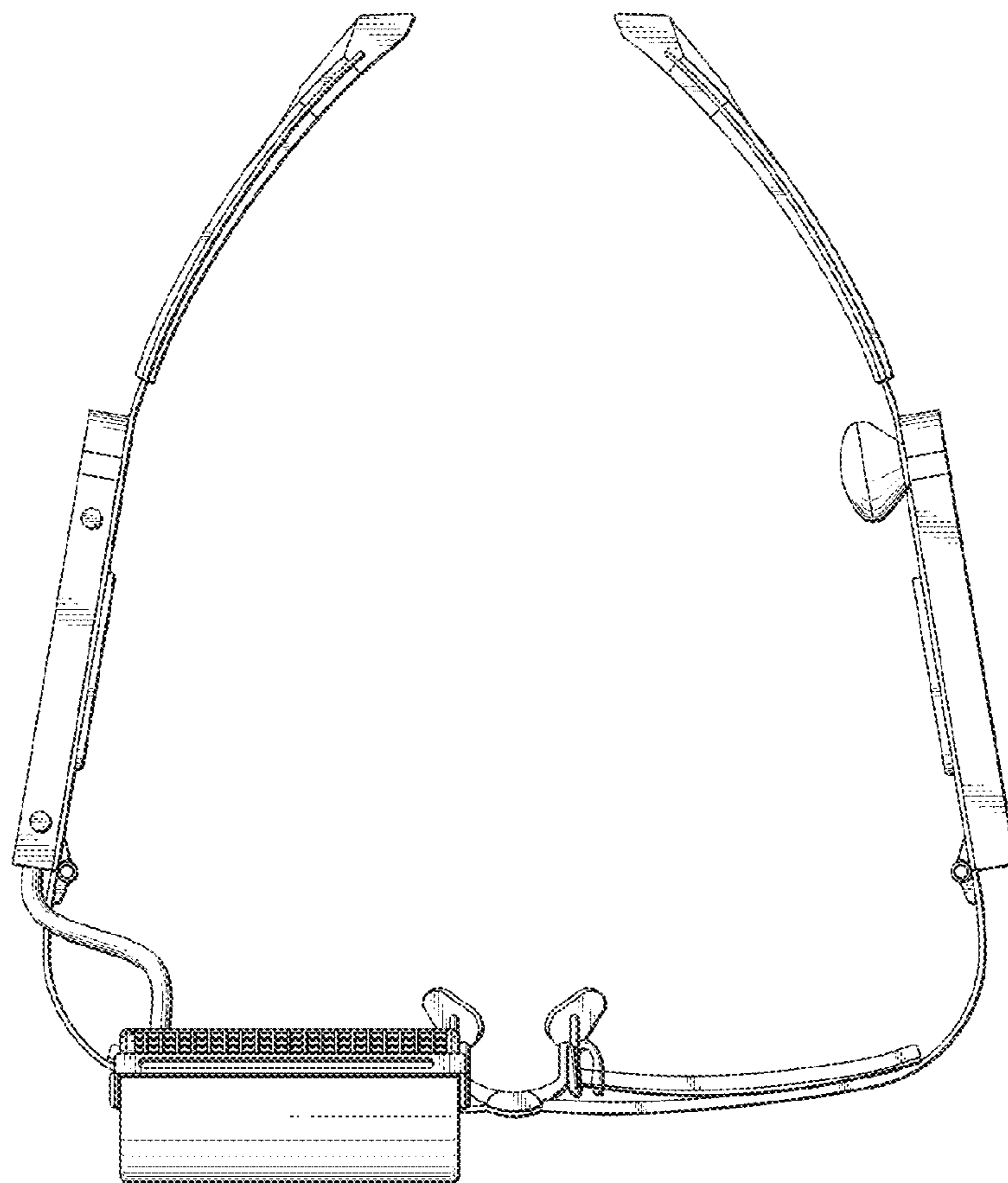


FIG. 5

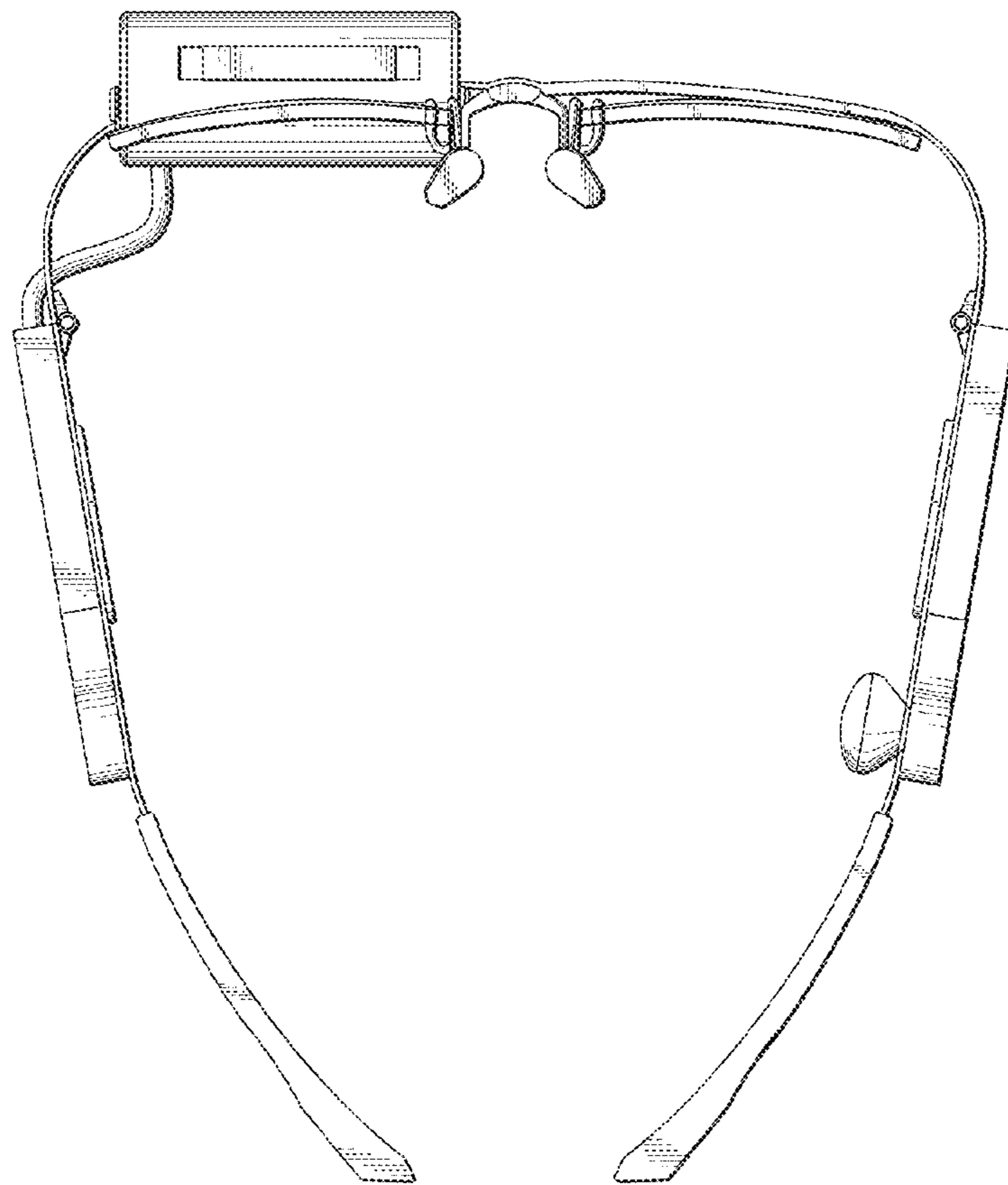


FIG. 6

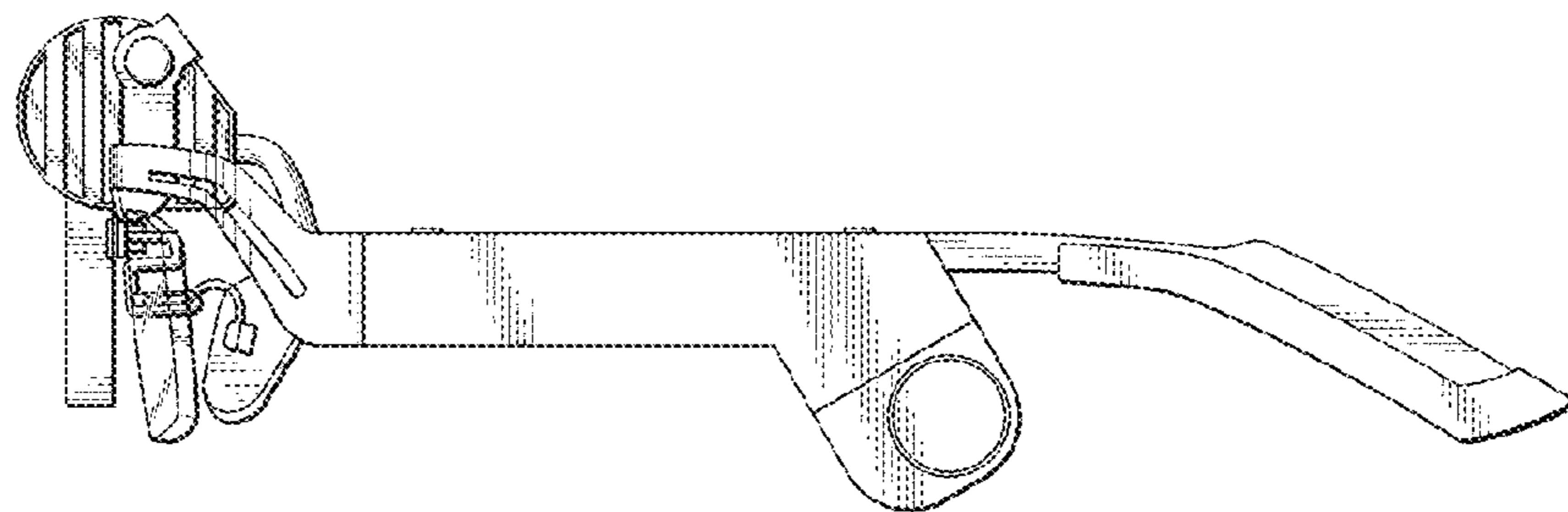


FIG. 7

