



US00D762211S

(12) **United States Design Patent**  
**Lee**

(10) **Patent No.:** **US D762,211 S**  
(45) **Date of Patent:** **\*\* Jul. 26, 2016**

(54) **DISPLAY**

(71) Applicants: **BOE TECHNOLOGY GROUP CO., LTD.**, Beijing (CN); **K-Tronics (SuZhou) Technology Co., Ltd.**, Suzhou, Jiangsu Province (CN)

(72) Inventor: **Cheng-Hsiung Lee**, Beijing (CN)

(73) Assignees: **BOE TECHNOLOGY GROUP CO., LTD.**, Beijing (CN); **K-TRONICS (SUZHOU) TECHNOLOGY CO., LTD.**, Suzhou, Jiangsu Province (CN)

(\*\*) Term: **14 Years**

(21) Appl. No.: **29/514,345**

(22) Filed: **Jan. 12, 2015**

(30) **Foreign Application Priority Data**

Aug. 4, 2014 (CN) ..... 2014 3 0271504

(51) **LOC (10) Cl.** ..... **14-02**

(52) **U.S. Cl.**  
USPC ..... **D14/371**

(58) **Field of Classification Search**  
USPC ..... D14/371-375, 125-129, 336, 337, 341; 341/12; 345/104, 156, 168, 173; 348/180, 184, 325, 739; 349/1, 2, 11, 349/62; 361/679.05-679.07, 679.21; D6/300, 308

CPC ..... G06F 1/16; G06F 1/1601; G06F 3/037; G06F 1/162; F16M 11/10

See application file for complete search history.

(56) **References Cited**

U.S. PATENT DOCUMENTS

D520,004	S	*	5/2006	Baek	.....	D14/375
D704,707	S	*	5/2014	Huh	.....	D14/374
D708,614	S	*	7/2014	Huh	.....	D14/374
2011/0096486	A1	*	4/2011	Oh	.....	F16M 11/10 361/679.21
2012/0155004	A1	*	6/2012	Yukawa	.....	G06F 1/1601 361/679.21

\* cited by examiner

*Primary Examiner* — Freda S Nunn

(74) *Attorney, Agent, or Firm* — Nath, Goldberg & Meyer; Joshua B. Goldberg; Christopher Thomas

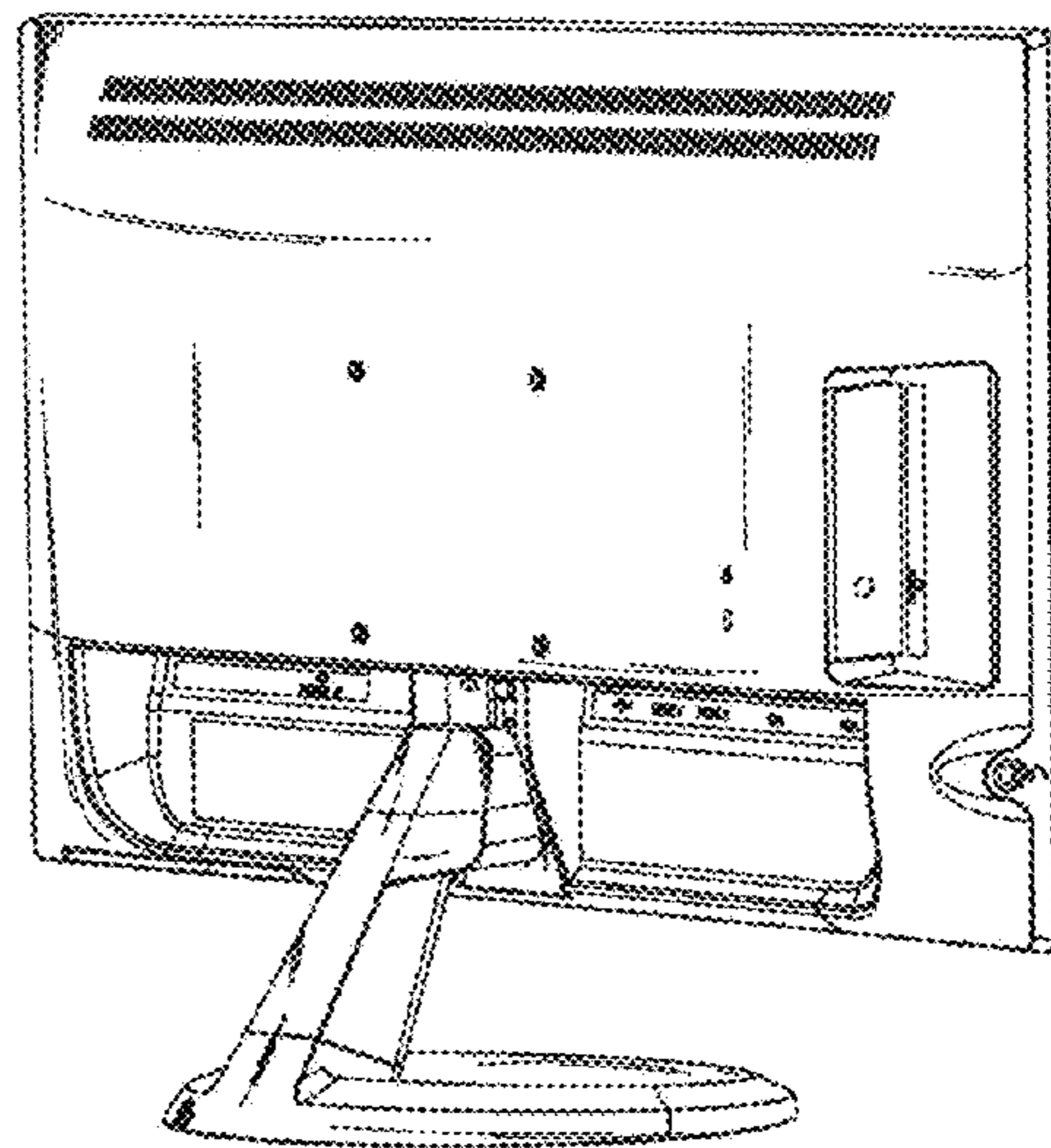
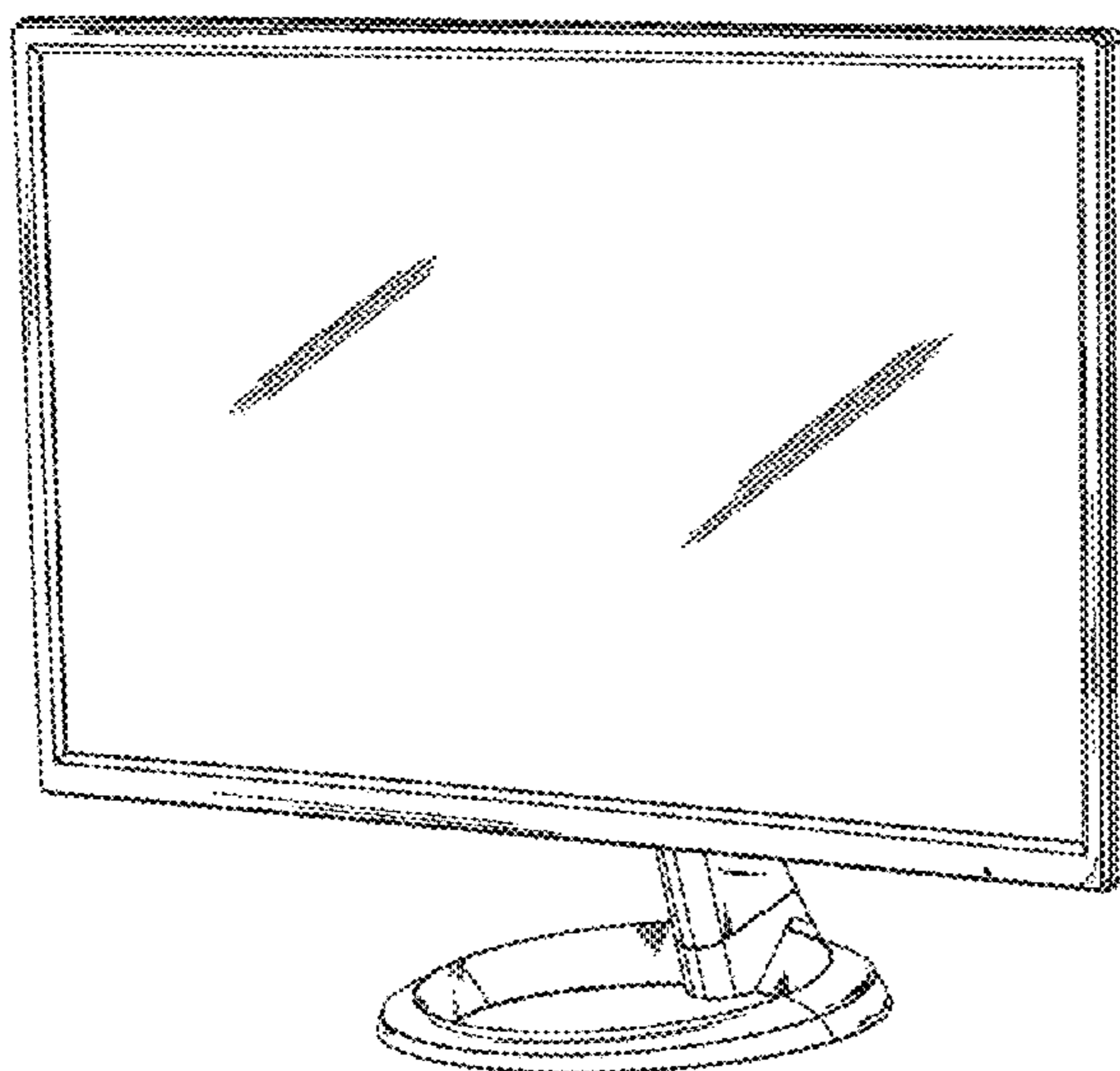
(57) **CLAIM**

The ornamental design for a display, as shown and described.

**DESCRIPTION**

FIG. 1 is a front view of a display showing my new design; FIG. 2 is a rear view thereof; FIG. 3 is a left view thereof; FIG. 4 is a right view thereof; FIG. 5 is a top view thereof; FIG. 6 is a bottom view thereof; FIG. 7 is a front perspective view thereof; and, FIG. 8 is a rear perspective view thereof. The portions of the display shown in broken lines form no part of the claimed design.

**1 Claim, 4 Drawing Sheets**



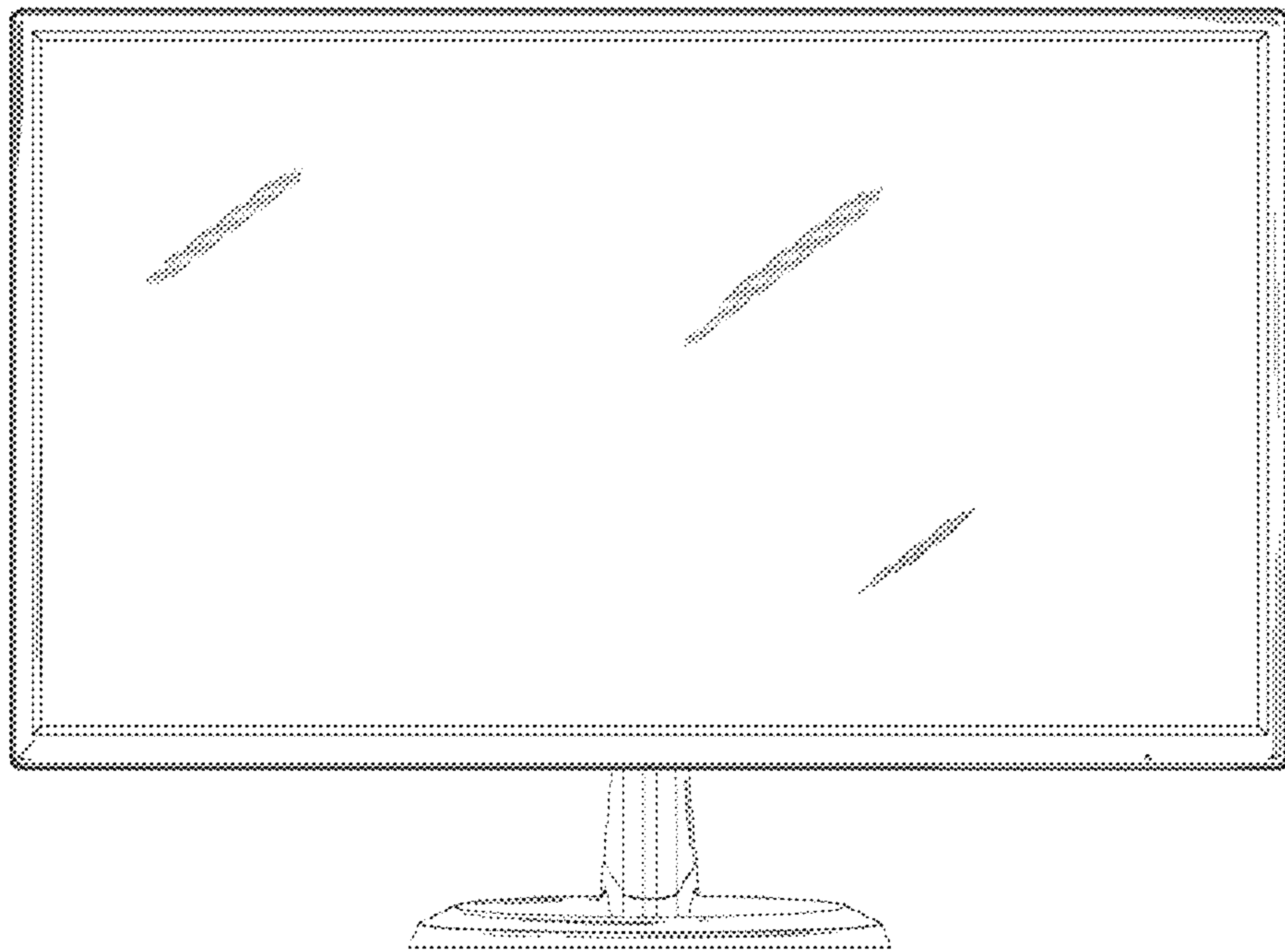


FIG.1

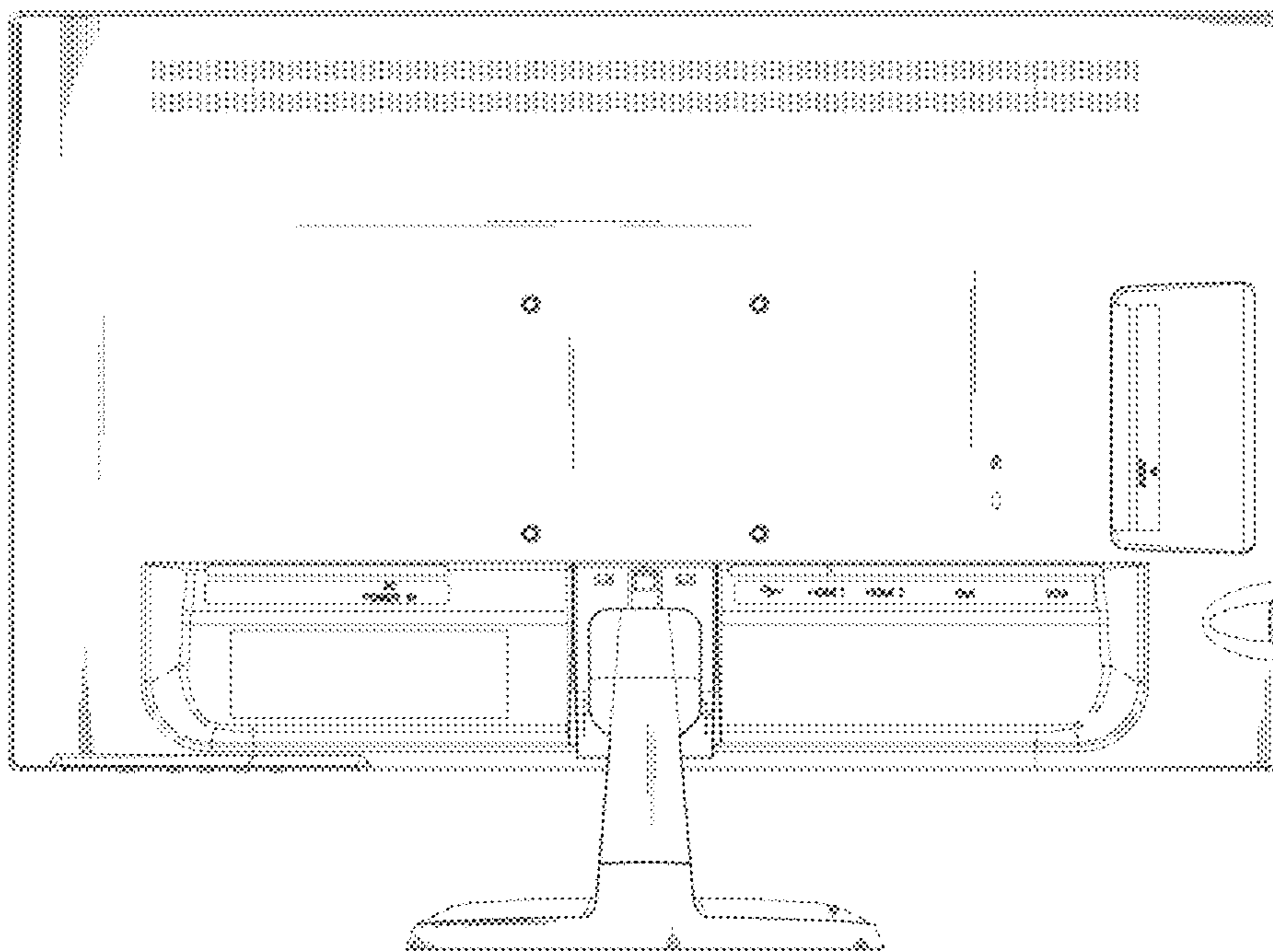


FIG.2

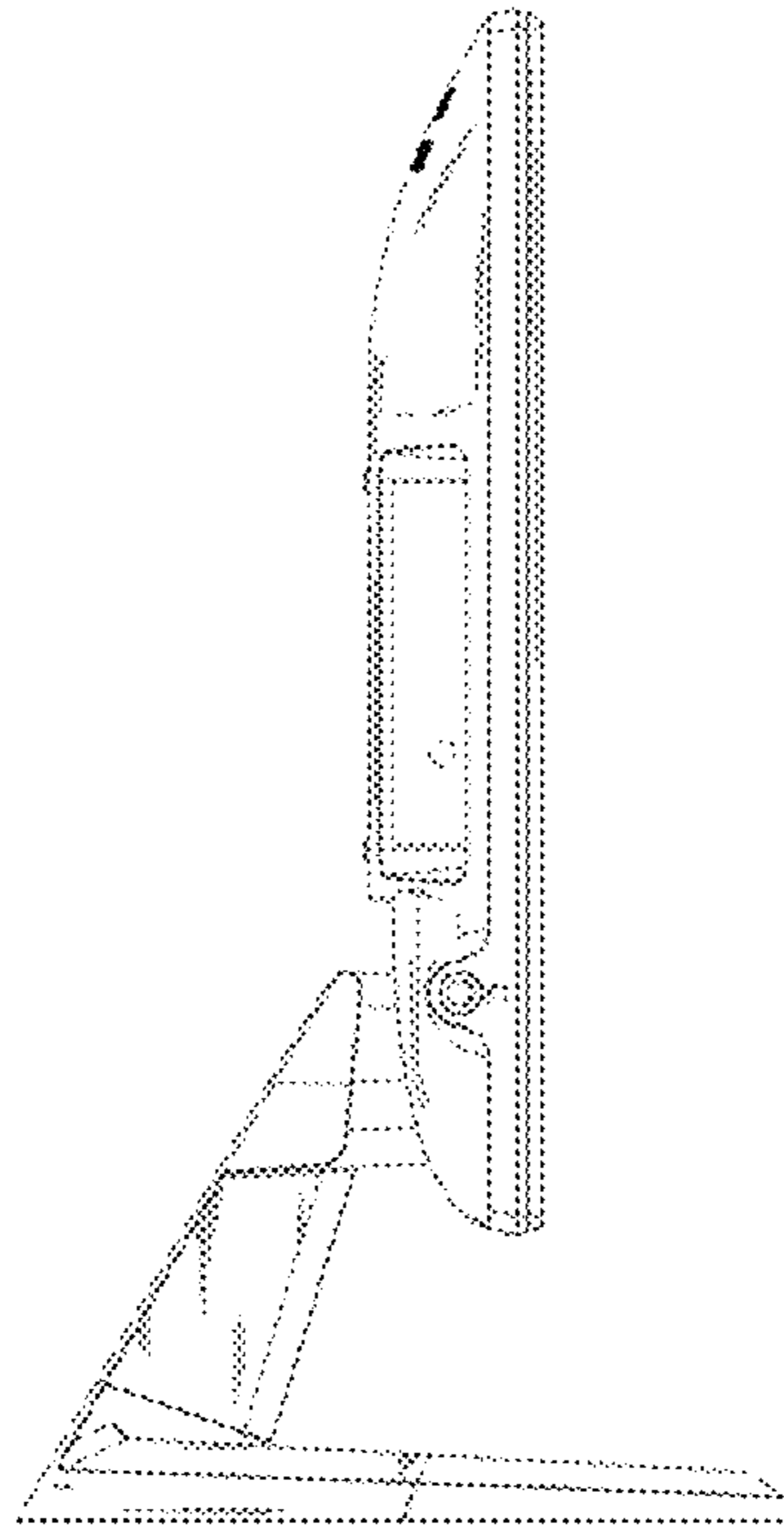


FIG.3

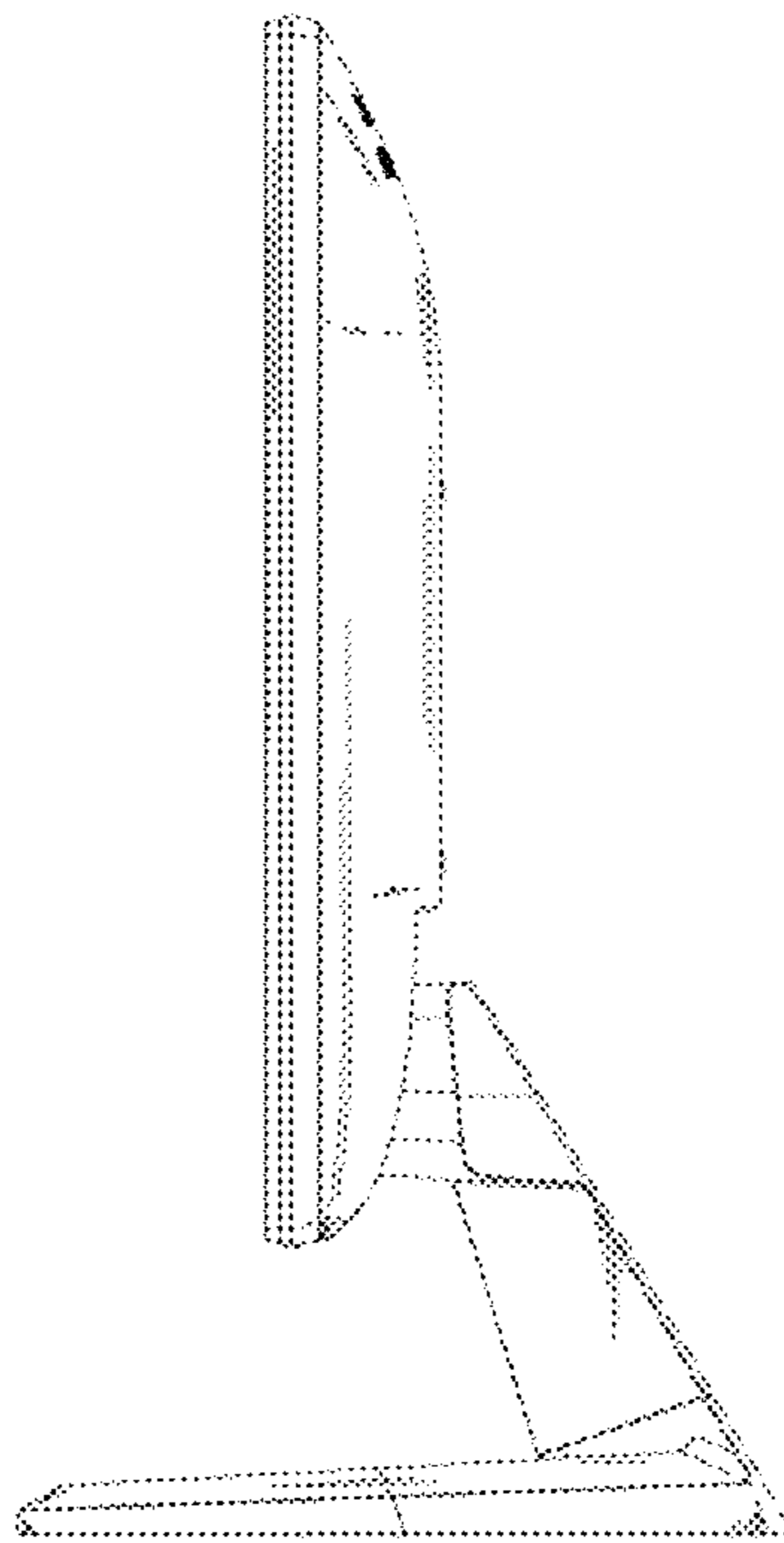


FIG.4

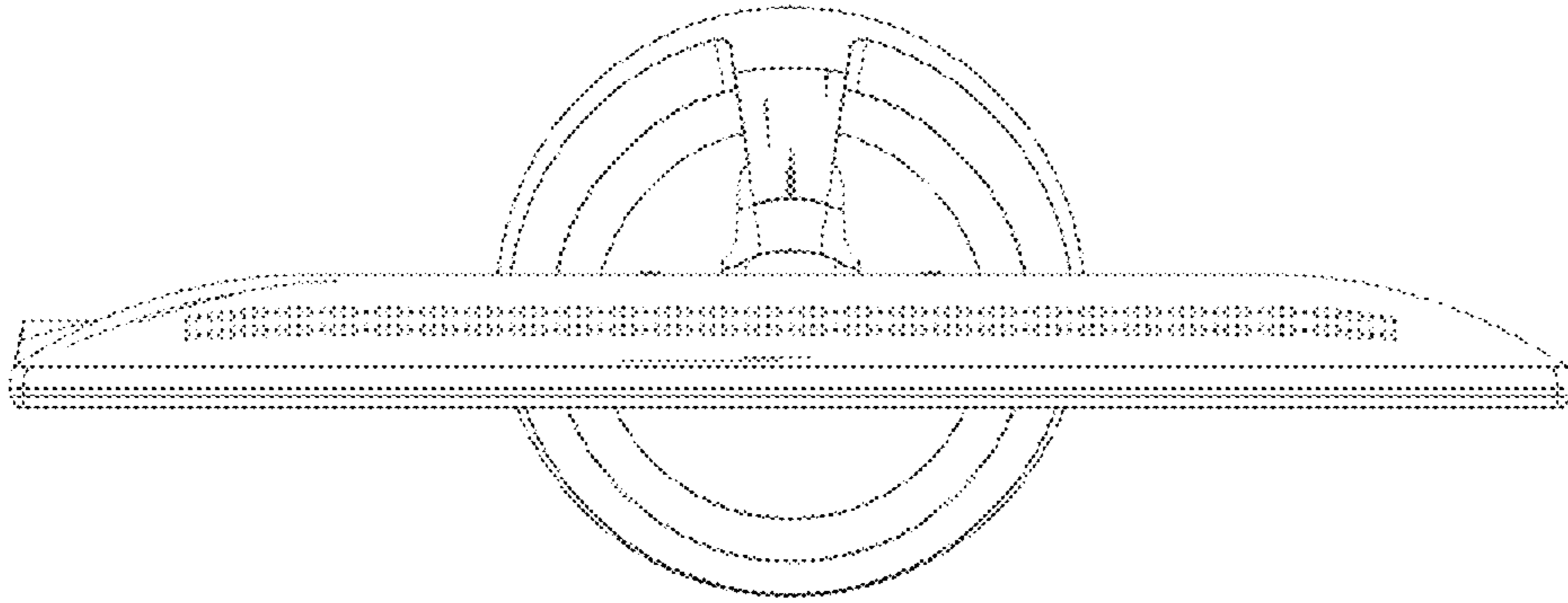


FIG.5

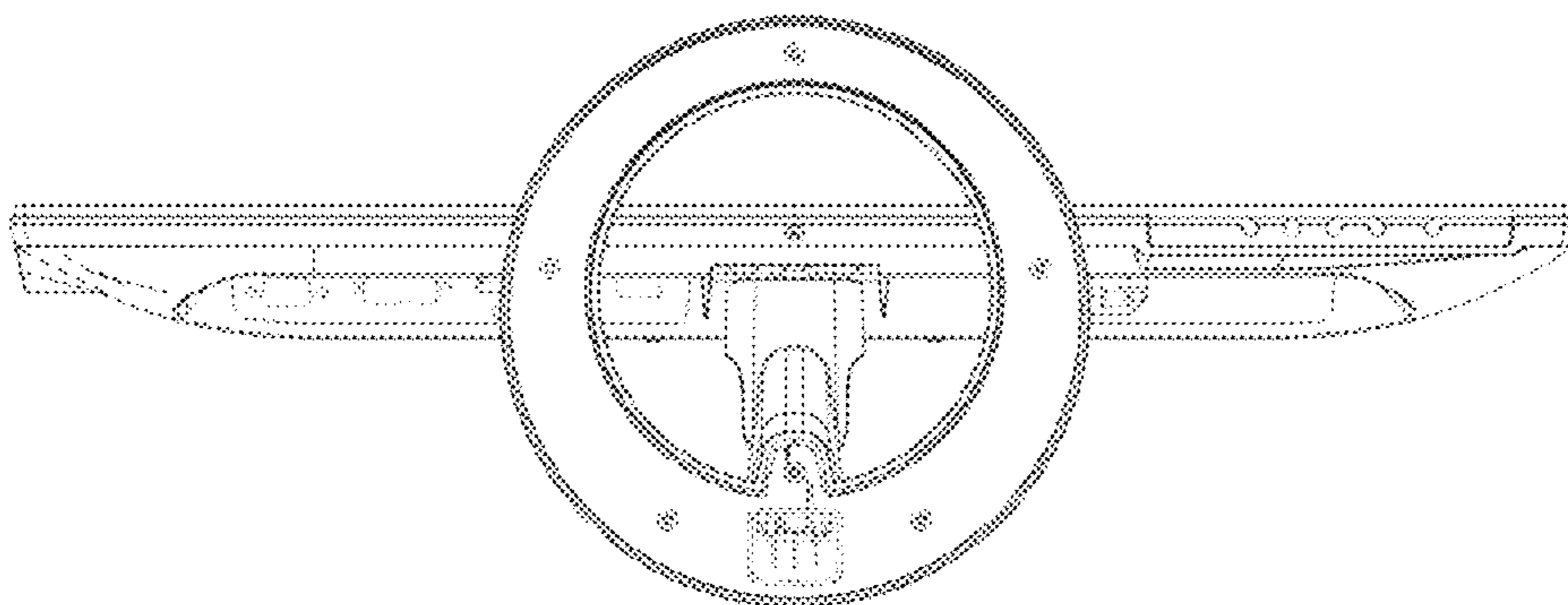


FIG.6

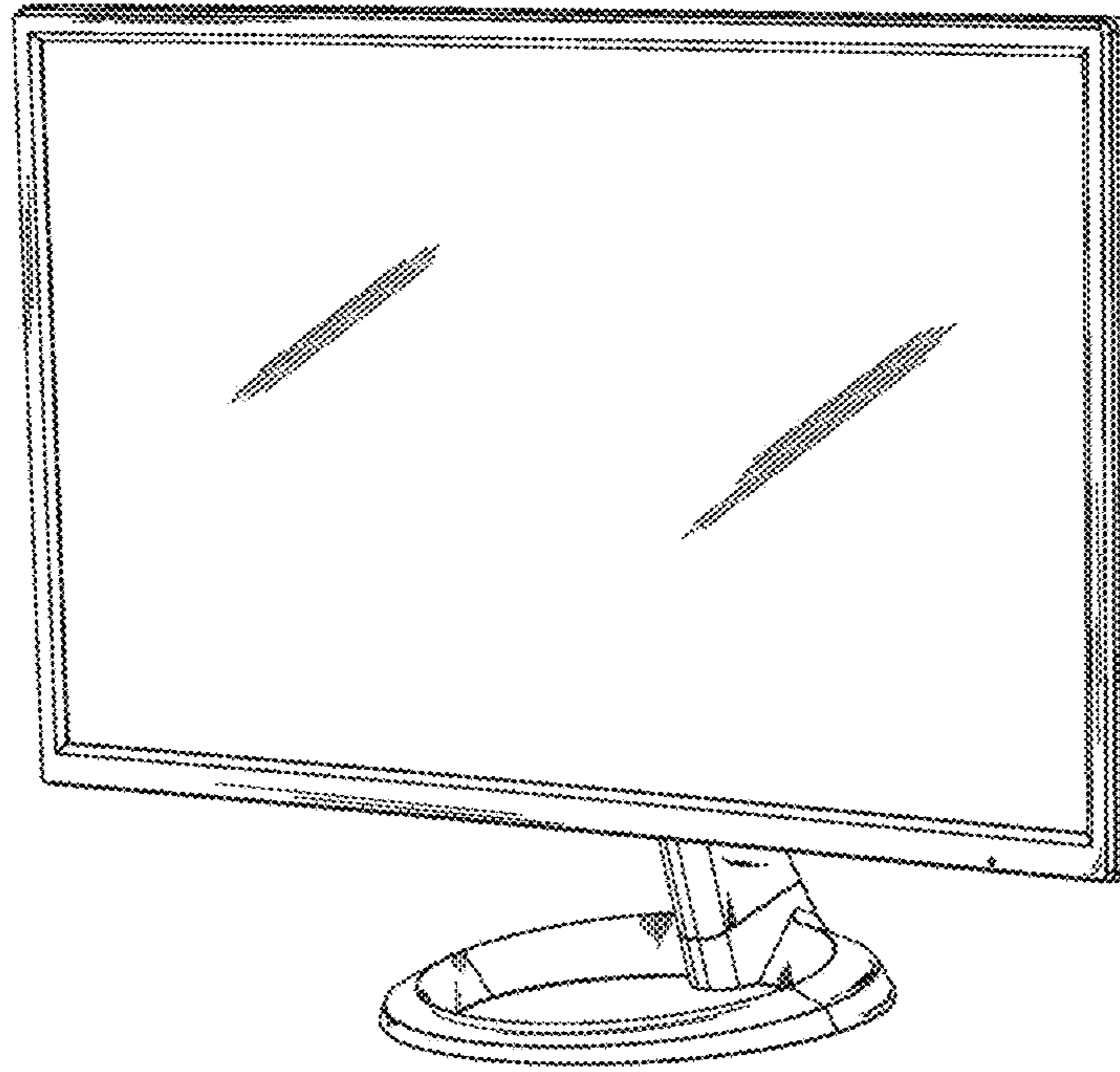


FIG. 7

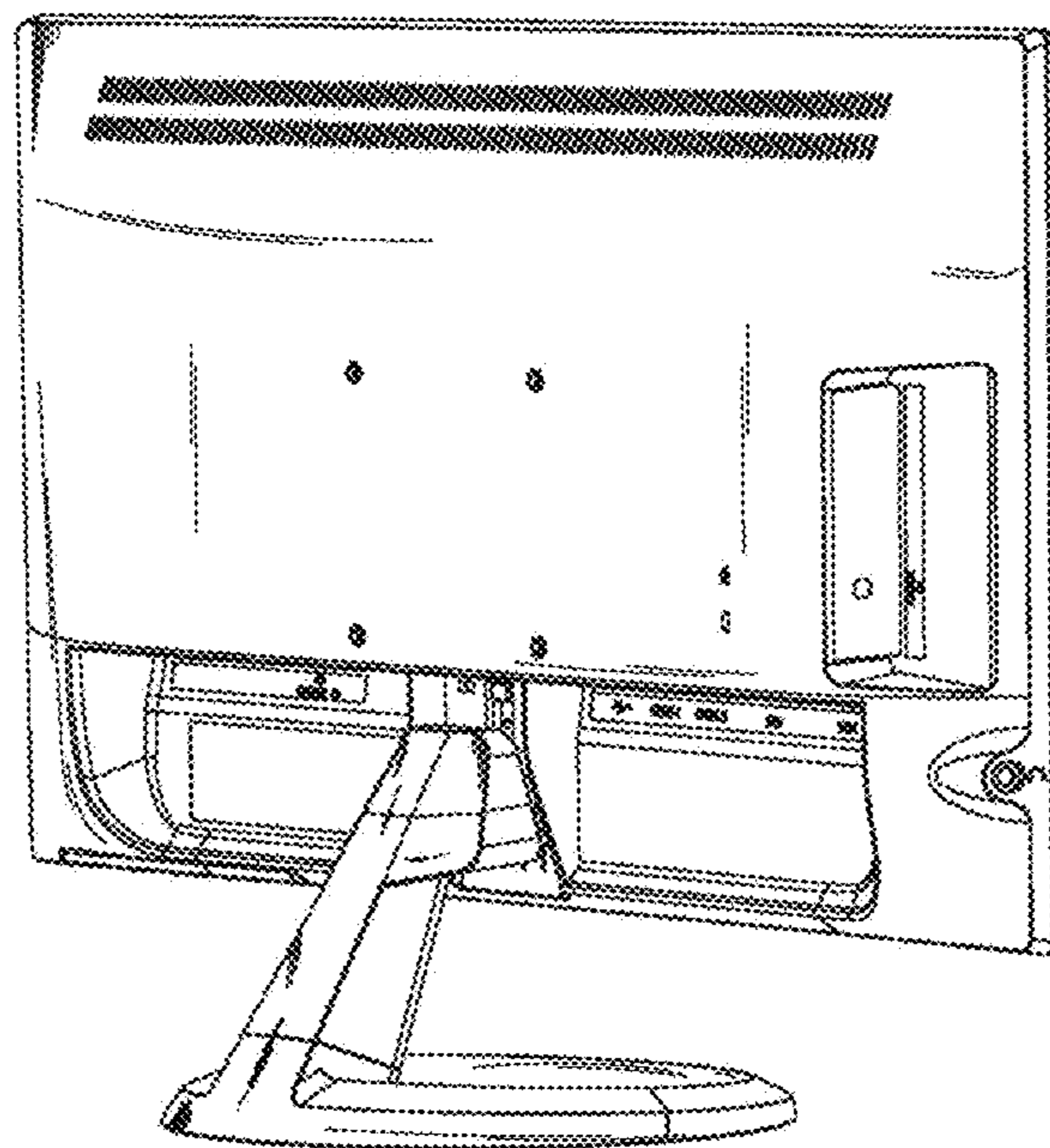


FIG. 8