



US00D762209S

(12) **United States Design Patent**
Akana et al.

(10) **Patent No.:** **US D762,209 S**
(45) **Date of Patent:** **** Jul. 26, 2016**

- (54) **PORTABLE DISPLAY DEVICE**
- (71) Applicant: **Apple Inc.**, Cupertino, CA (US)
- (72) Inventors: **Jody Akana**, San Francisco, CA (US); **Bartley K. Andre**, Palo Alto, CA (US); **Jeremy Bataillou**, San Francisco, CA (US); **Daniel J. Coster**, San Francisco, CA (US); **Daniele De Iuliis**, San Francisco, CA (US); **M. Evans Hankey**, San Francisco, CA (US); **Julian Hoenig**, San Francisco, CA (US); **Richard P. Howarth**, San Francisco, CA (US); **Jonathan P. Ive**, San Francisco, CA (US); **Duncan Robert Kerr**, San Francisco, CA (US); **Shin Nishibori**, Kailua, HI (US); **Matthew Dean Rohrbach**, San Francisco, CA (US); **Peter Russell-Clarke**, San Francisco, CA (US); **Christopher J. Stringer**, Woodside, CA (US); **Eugene Antony Whang**, San Francisco, CA (US); **Rico Zörkendörfer**, San Francisco, CA (US)

D14/138 G, 147, 203.1, 203.3, 204.4, 203.7, D14/218, 248, 388, 389; D10/50, 65, 104.1; D21/329, 330; D6/308, 310
 CPC ... G06F 3/0485; G06F 3/0488; G06F 1/1613; G06F 1/1624; G06F 1/1626; G06F 1/165; H04M 1/0202; H04M 1/0264; H04M 1/0214; H04M 1/0279; H04M 1/0281; H04M 1/0283; H04M 1/72544

See application file for complete search history.

- (73) Assignee: **Apple Inc.**, Cupertino, CA (US)
- (**) Term: **14 Years**
- (21) Appl. No.: **29/511,155**
- (22) Filed: **Dec. 8, 2014**

Related U.S. Application Data

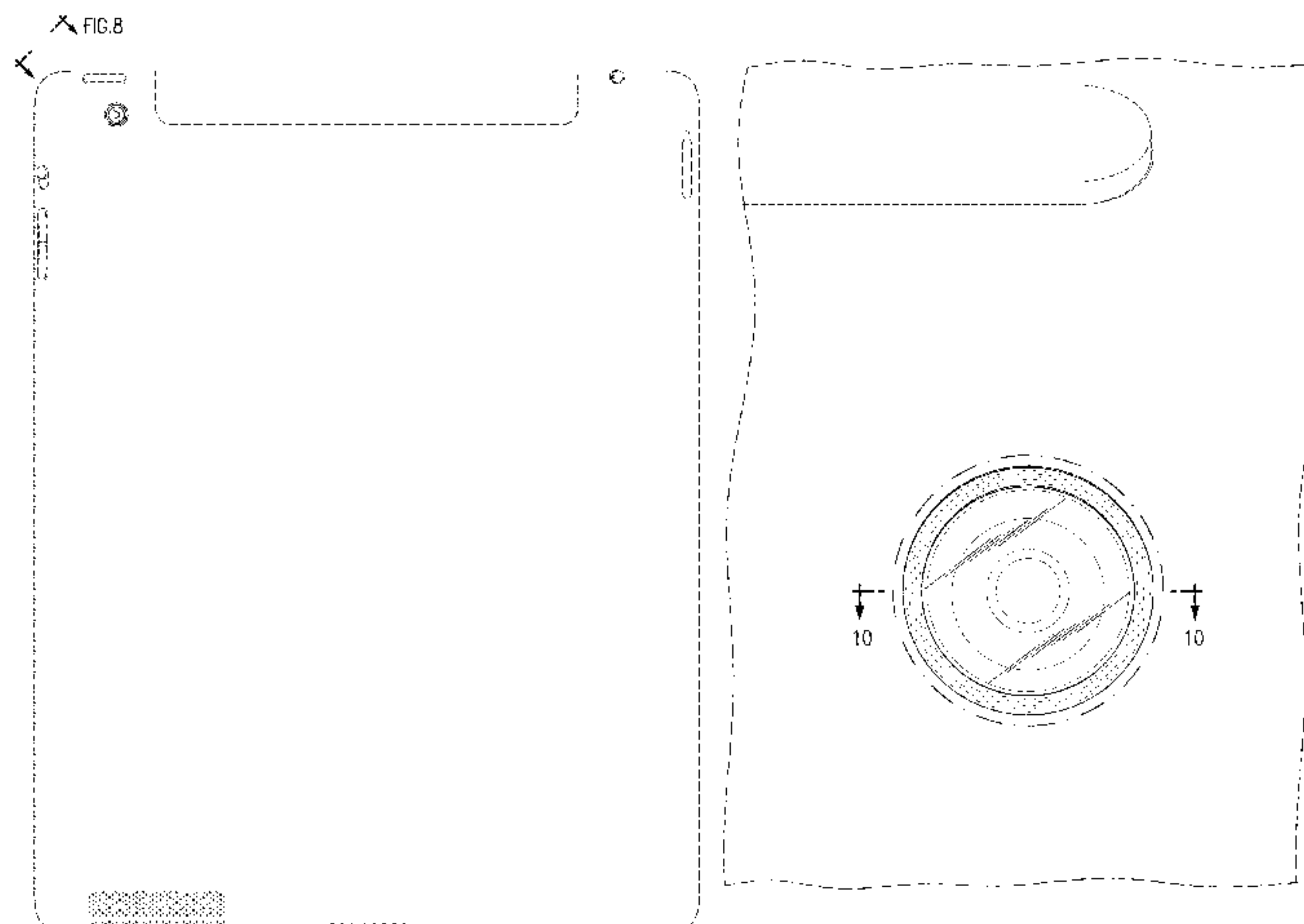
- (63) Continuation of application No. 29/473,939, filed on Nov. 27, 2013, now Pat. No. Des. 719,087, which is a continuation of application No. 29/415,041, filed on Mar. 7, 2012, now Pat. No. Des. 694,755.
- (51) **LOC (10) Cl.** **14-02**
- (52) **U.S. Cl.**
USPC **D14/341**
- (58) **Field of Classification Search**
USPC D14/315-318, 341-347, 420, 426, 129, D14/130, 496, 137, 138 R, 138 AA, 138 C,

(56)

References Cited

U.S. PATENT DOCUMENTS

3,269,588	A *	8/1966	Ruekberg	B65D 21/022
					206/508
3,465,906	A *	9/1969	Wagner	B65D 51/243
					215/253
D273,113	S *	3/1984	Knoll	D14/420
D283,595	S *	4/1986	Fortuna et al.	D9/500
D319,980	S *	9/1991	Garner	D9/435
D359,451	S *	6/1995	Dees	D9/443
D366,875	S *	2/1996	Kakizaki	D14/218
D404,667	S *	1/1999	Montgomery et al.	...	D10/104.1
D418,837	S *	1/2000	Ishii	D14/218
D424,042	S *	5/2000	Massieu et al.	D14/420
6,213,301	B1 *	4/2001	Landis	B65D 3/12
					206/519
D452,441	S *	12/2001	Bezek et al.	D9/502
D490,457	S *	5/2004	Kimbire	D14/240
D522,364	S *	6/2006	Hicks	D9/449
D526,564	S *	8/2006	Slavin	D9/454
D536,691	S	2/2007	Park		
D536,975	S *	2/2007	Smith	D9/435
D537,075	S *	2/2007	Helin	D14/247
D546,347	S *	7/2007	Millora	D14/496
D550,654	S *	9/2007	Miyawaki	D14/218
D550,708	S *	9/2007	Kim	D14/496
D552,068	S *	10/2007	Kim et al.	D14/138 AA
D555,123	S *	11/2007	Mehandjiysky et al.	D14/138 C
D558,756	S	1/2008	Andre et al.		
D558,758	S	1/2008	Andre et al.		
D561,730	S *	2/2008	Deubler et al.	D14/138 AA
D562,285	S	2/2008	Lim		
D566,080	S *	4/2008	Kim	D14/138 AB
D569,830	S	5/2008	Kwak		
D569,837	S	5/2008	Baik et al.		
D572,698	S *	7/2008	Kim et al.	D14/138 AA
D574,708	S *	8/2008	Reed	D9/453
D575,259	S	8/2008	Kim et al.		
D576,990	S *	9/2008	Han et al.	D14/138 AA



D578,500 S	10/2008	Lee et al.	
D580,387 S	11/2008	Andre et al.	
D581,384 S	11/2008	Kim et al.	
D583,345 S	12/2008	Kim et al.	
D584,272 S	1/2009	Chung et al.	
D584,739 S *	1/2009	Ahlgren	D14/496
D584,743 S *	1/2009	Sheba et al.	D14/496
D597,516 S *	8/2009	Kim	D14/138 AD
D598,888 S *	8/2009	Wei et al.	D14/138 AA
D598,893 S *	8/2009	Asai	D14/188
D601,530 S	10/2009	Park et al.	
D601,987 S *	10/2009	Park et al.	D14/138 AA
D602,015 S	10/2009	Andre et al.	
D602,462 S *	10/2009	Wang	D14/138 AD
D605,155 S *	12/2009	Cha	D14/138 AD
D606,526 S *	12/2009	Wun et al.	D14/248
D606,546 S *	12/2009	Morooka et al.	D14/439
D608,638 S *	1/2010	Pontes	D9/446
D618,229 S *	6/2010	de Jong	D14/250
D623,943 S *	9/2010	Weld	D9/454
D625,190 S *	10/2010	Pontes	D9/444
D627,778 S	11/2010	Akana et al.	
D633,908 S	3/2011	Akana et al.	
D639,805 S	6/2011	Song et al.	
D640,569 S *	6/2011	Alongi	D9/503
D641,355 S *	7/2011	Ferrari et al.	D14/346
D641,356 S *	7/2011	Ferrari et al.	D14/346
D641,661 S *	7/2011	Zhang	D11/231
D642,057 S *	7/2011	Reed	D9/453
D642,563 S	8/2011	Akana et al.	
D645,441 S	9/2011	Choe et al.	
8,046,032 B2 *	10/2011	Babella	455/575.1
D647,799 S *	11/2011	Dunwoody	D9/435
D656,818 S *	4/2012	Dunwoody	D9/435
8,336,730 B2 *	12/2012	Pontes	B65D 51/20 206/508
D677,162 S *	3/2013	Sharma	D7/392.1
D682,107 S *	5/2013	Ramsey	D9/452
8,506,158 B2 *	8/2013	Keung	A44C 5/0084 224/164
D690,343 S *	9/2013	Yip	D16/135
D694,658 S *	12/2013	Avidor et al.	D10/65
D712,870 S *	9/2014	Kim	D14/203.7
D717,674 S *	11/2014	Vu et al.	D10/65
D718,271 S *	11/2014	McTague et al.	D14/203.1
D725,033 S *	3/2015	Demirjian	D13/107
D726,672 S *	4/2015	Olodort	D14/138 G
D730,861 S *	6/2015	Ryu et al.	D14/138 G
D730,942 S *	6/2015	Wong	D14/496
D734,328 S *	7/2015	Song	D14/344
D741,307 S *	10/2015	Kester	D14/248
2002/0089414 A1 *	7/2002	Boggs	G08B 5/36 340/286.11
2008/0316121 A1	12/2008	Hobson et al.	

2014/0031081 A1 *	1/2014	Vossoughi	H04M 1/0254 455/556.1
2014/0078871 A1 *	3/2014	Savoy	A44C 5/00 368/282
2014/0274216 A1 *	9/2014	Olodort	H04M 1/006 455/566

* cited by examiner

FOREIGN PATENT DOCUMENTS

TW D139834 4/2011

OTHER PUBLICATIONS

“LG KE850 Prada”, accessed at http://www.gsmsarena.com/g_ke850_prada-1929.php, 4 pages, dated Feb. 20, 2007.

Primary Examiner — Barbara Fox
Assistant Examiner — Dana K Weiland
 (74) *Attorney, Agent, or Firm* — Sterne, Kessler, Goldstein & Fox P.L.L.C.

(57) **CLAIM**
 The ornamental design for a portable display device, as shown and described.

DESCRIPTION

FIG. 1 is a front perspective view of a portable display device showing our new design;
 FIG. 2 is a front view thereof;
 FIG. 3 is a rear view thereof;
 FIG. 4 is a top view thereof;
 FIG. 5 is a bottom view thereof;
 FIG. 6 is a side view thereof;
 FIG. 7 is another side view thereof;
 FIG. 8 is an enlarged perspective view of a portion of FIG. 3;
 FIG. 9 is an enlarged front view of a portion of FIG. 3; and,
 FIG. 10 is an enlarged cross-sectional view of FIG. 9 taken along the line 10-10 of FIG. 9.
 The dashed broken lines in the Figures show portions of the portable display device that form no part of the claimed design.
 The shade lines in the Figures show contour and not surface ornamentation.
 The dot-dash broken lines in the figures show boundaries that form no part of the claimed design.

1 Claim, 8 Drawing Sheets

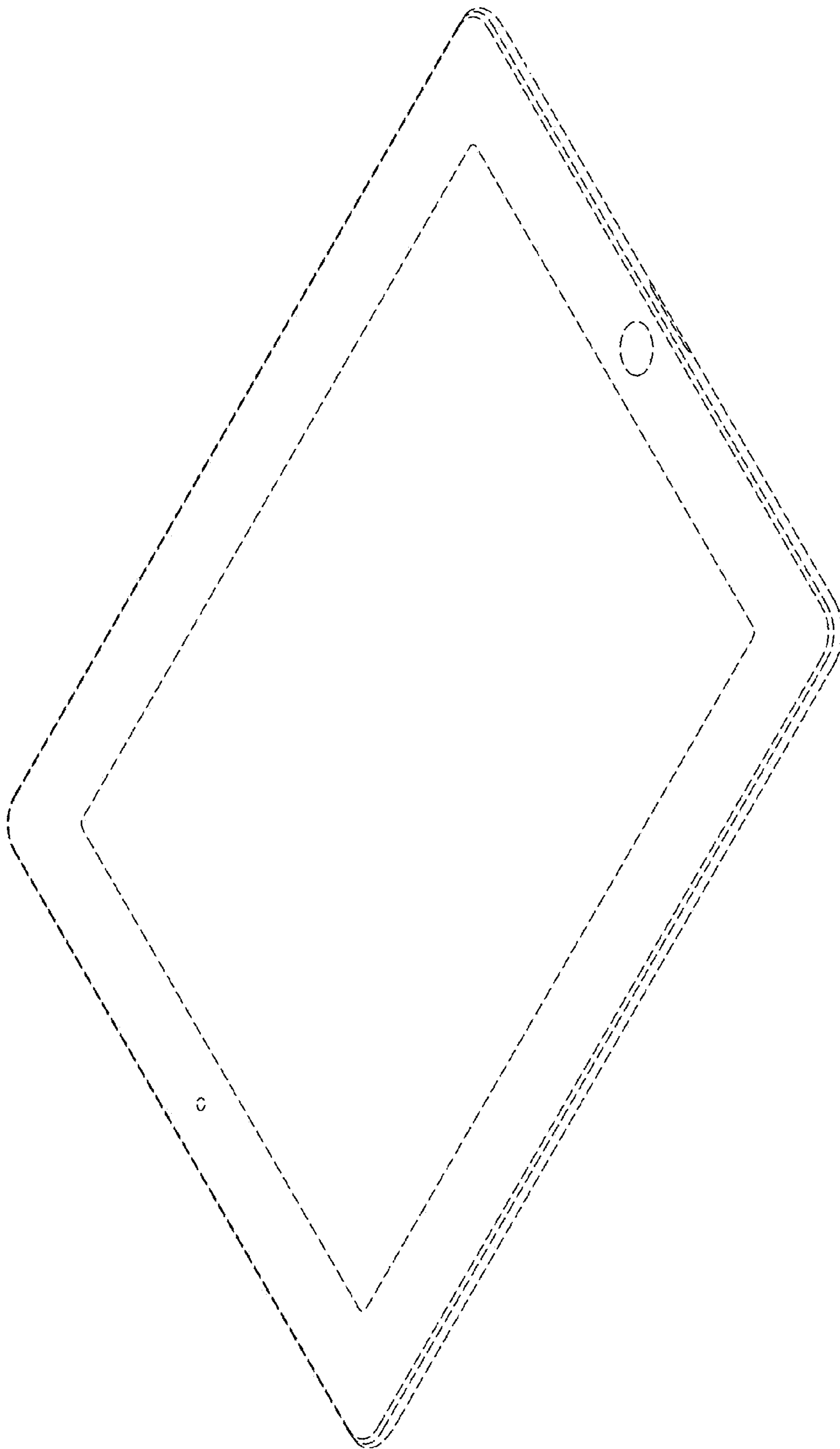


FIG. 1

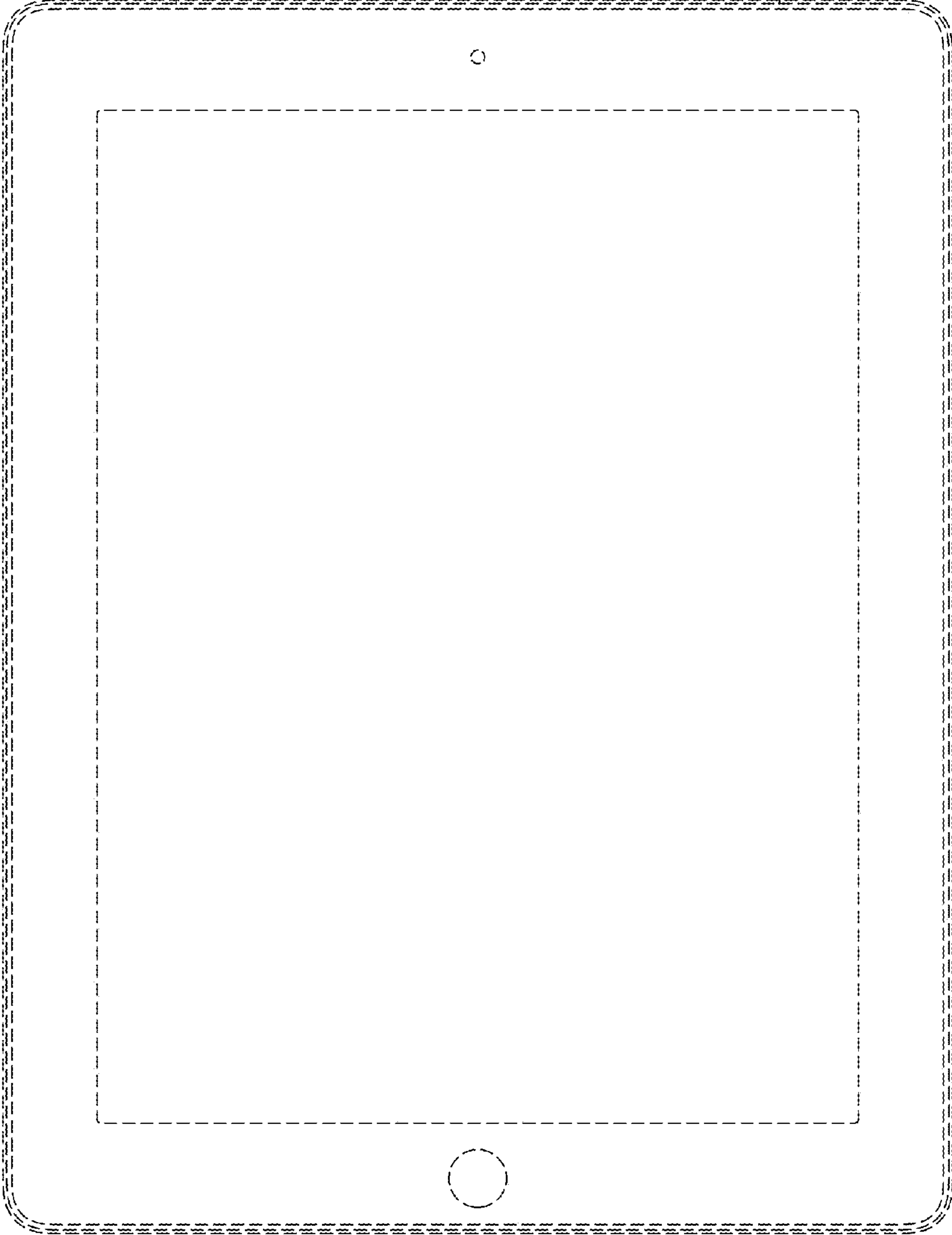


FIG.2

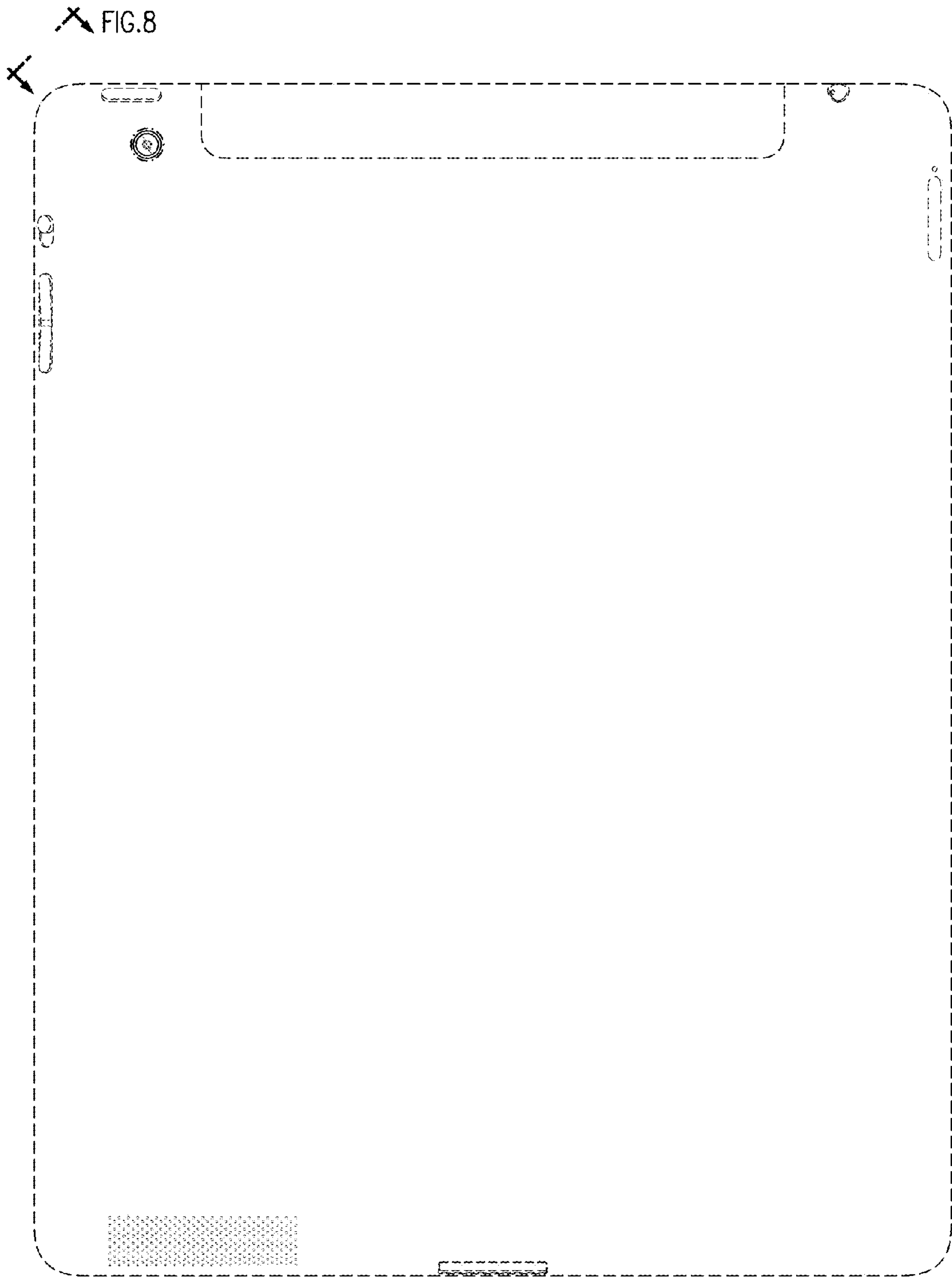


FIG. 3

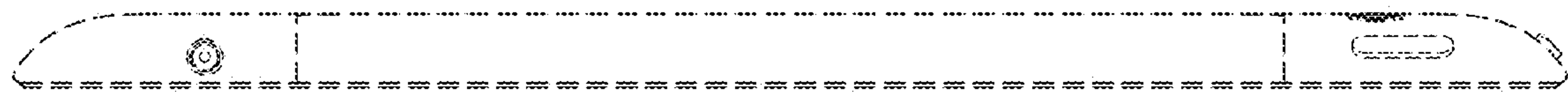


FIG. 4

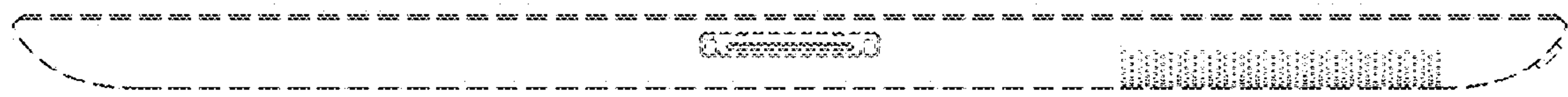


FIG. 5

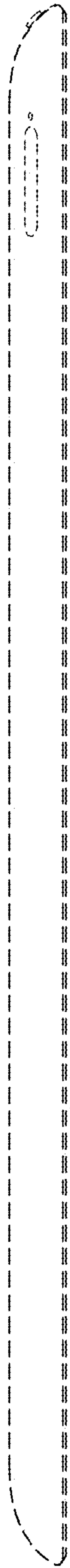


FIG. 6

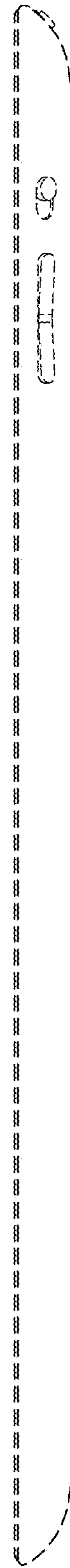


FIG. 7

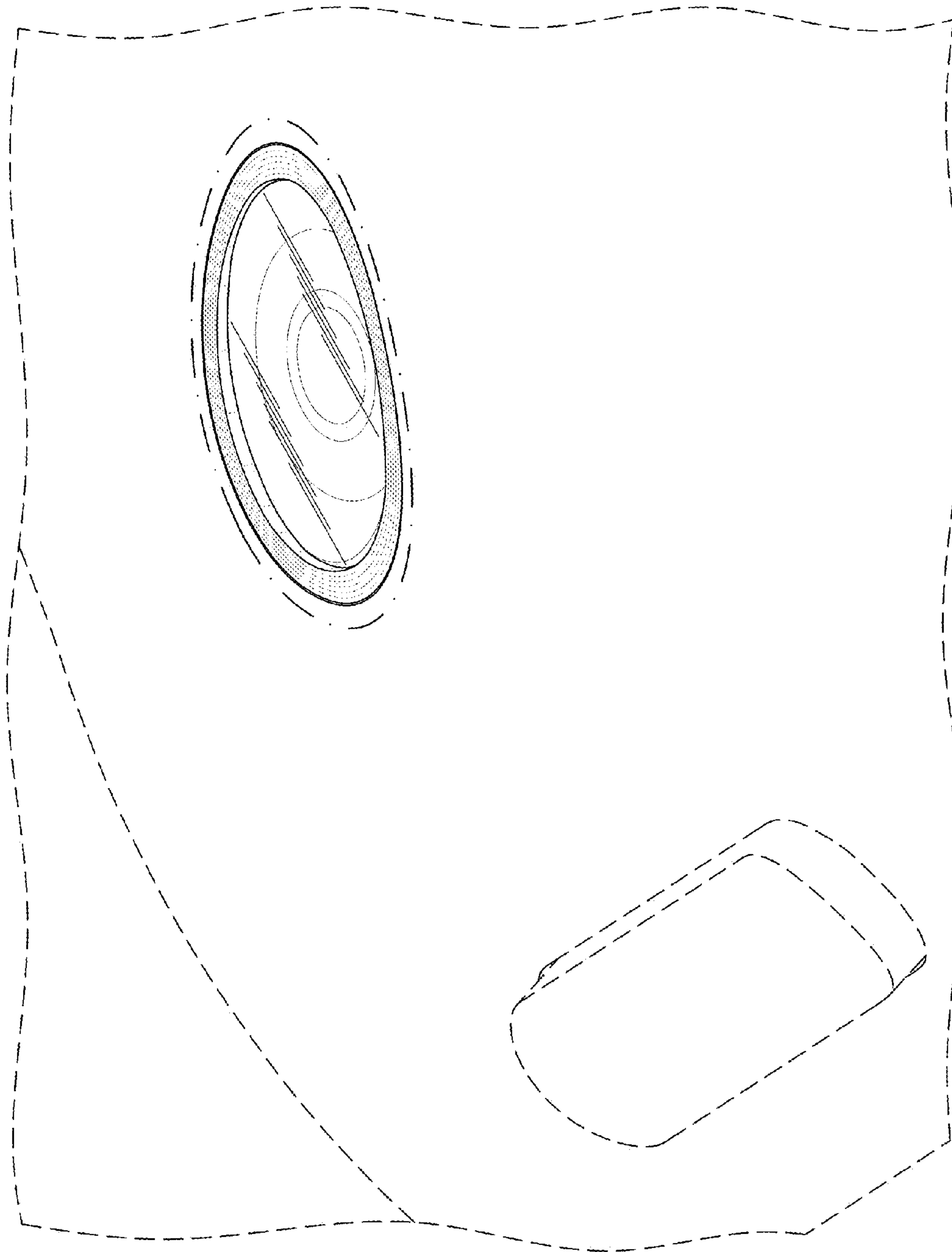


FIG.8

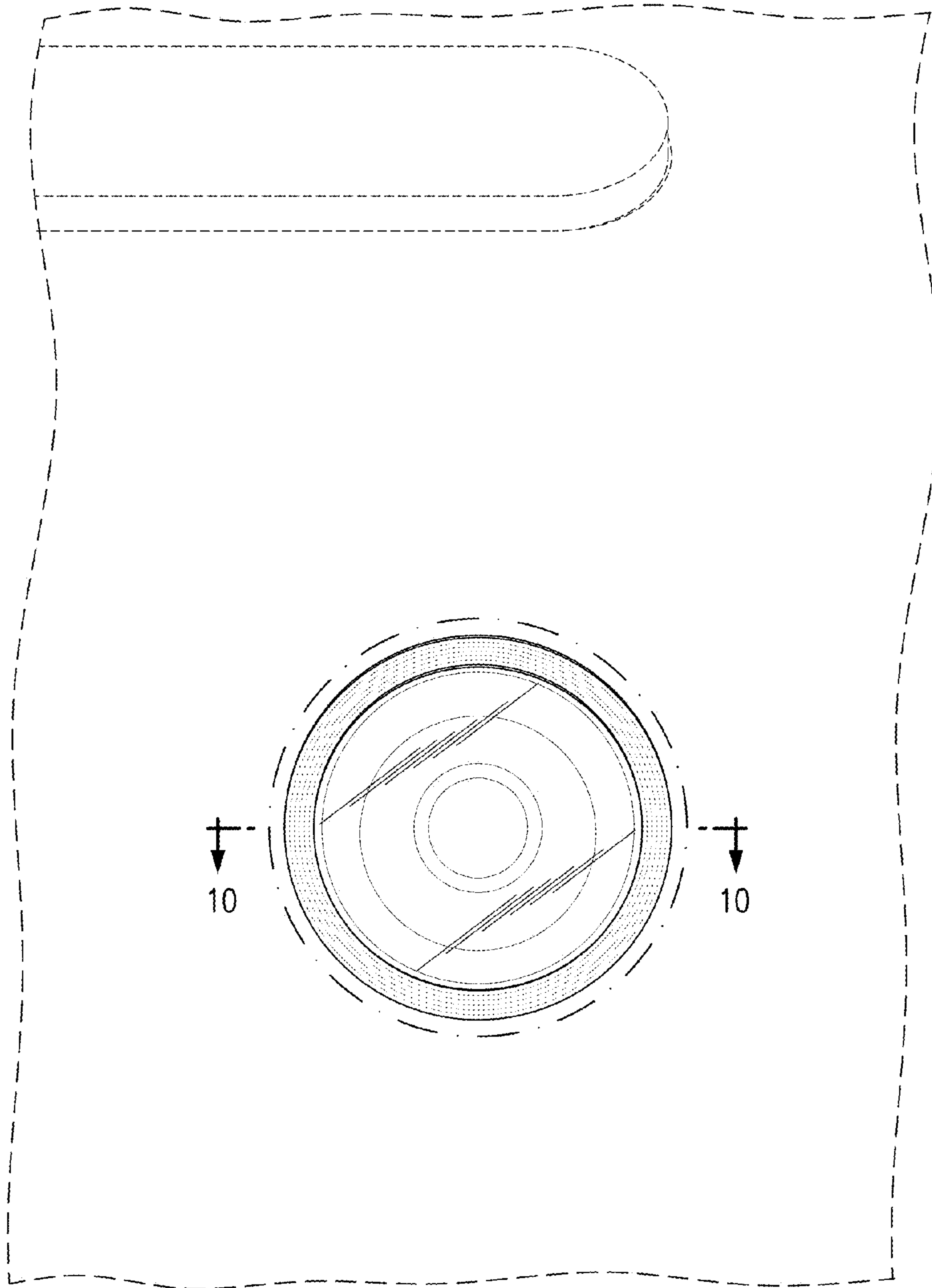


FIG. 9

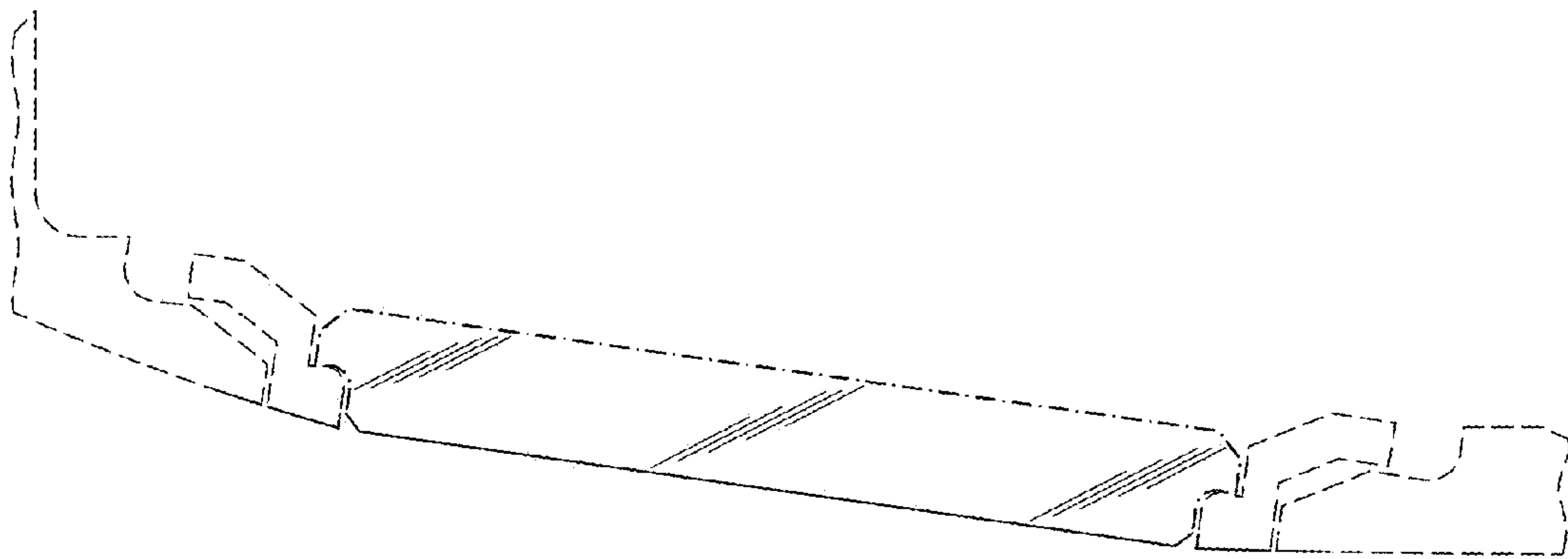


FIG.10