



US00D762205S

(12) **United States Design Patent**
Dang et al.

(10) **Patent No.:** **US D762,205 S**
(45) **Date of Patent:** **** Jul. 26, 2016**

(54) **HANDHELD ELECTRONIC DEVICE SHELL**

(71) Applicant: **BlackBerry Limited**, Waterloo (CA)

(72) Inventors: **Christopher Duy-Liem Dang**, Montreal (CA); **Cortez Corley**, Waterloo (CA); **Joshua John Lavallee**, Breslau (CA); **Alison Phillips**, Toronto (CA); **Michael Joseph Defazio**, Fonthill (CA)

(73) Assignee: **BlackBerry Limited**, Waterloo, Ontario (CA)

(**) Term: **15 Years**

(21) Appl. No.: **29/540,856**

(22) Filed: **Sep. 29, 2015**

(51) **LOC (10) Cl.** **14-03**

(52) **U.S. Cl.**
USPC **D14/250**

(58) **Field of Classification Search**
USPC D14/238.1, 250, 440, 203.3–203.7, 217, D14/240, 248, 251–253, 447, 496, 143, 189, D14/203.2; D3/201, 218, 247, 269, 273, D3/301, 303; D13/103, 107–108, 119
CPC A45C 1/06; A45C 11/00; A45C 13/02; A45C 2011/002; A45F 2005/026; A45F 2200/0525; A45F 2200/0516; H04B 1/3888; H04M 1/0283; H04M 1/0202
See application file for complete search history.

(56) **References Cited**

U.S. PATENT DOCUMENTS

D586,121 S *	2/2009	Holzner	D3/247
D678,291 S *	3/2013	Phillips	D14/440
D694,741 S *	12/2013	Kim	D14/250
D702,673 S *	4/2014	Murchison	D14/250
D708,172 S *	7/2014	Ryu	D14/250
D712,393 S *	9/2014	Kim	D14/250
D713,834 S *	9/2014	Almstrom	D14/250
D714,280 S *	9/2014	Ahn	D14/250
D716,286 S *	10/2014	Ahn	D14/250
D723,020 S *	2/2015	Kim	D14/250
D727,331 S *	4/2015	Curran-Blaney	D14/440

D728,552 S *	5/2015	Kim	D14/250
D739,408 S *	9/2015	Kim	D14/440
D744,493 S *	12/2015	Kim	D14/440
D747,705 S *	1/2016	Kim	D14/250
D748,084 S *	1/2016	Kim	D14/250
D750,608 S *	3/2016	Kim	D14/250
2014/0185206 A1 *	7/2014	Kim	H05K 5/0017 361/679.01
2015/0141095 A1 *	5/2015	Kim	H04M 1/0202 455/575.8
2015/0155902 A1 *	6/2015	Lin	H04B 1/3888 455/575.8
2015/0311940 A1 *	10/2015	Lee	H04B 1/3888 455/575.8

* cited by examiner

Primary Examiner — Carla Jobe Wright

(74) *Attorney, Agent, or Firm* — Jon Gibbons; Fleit Gibbons Gutman Bongini & Bianco P.L.

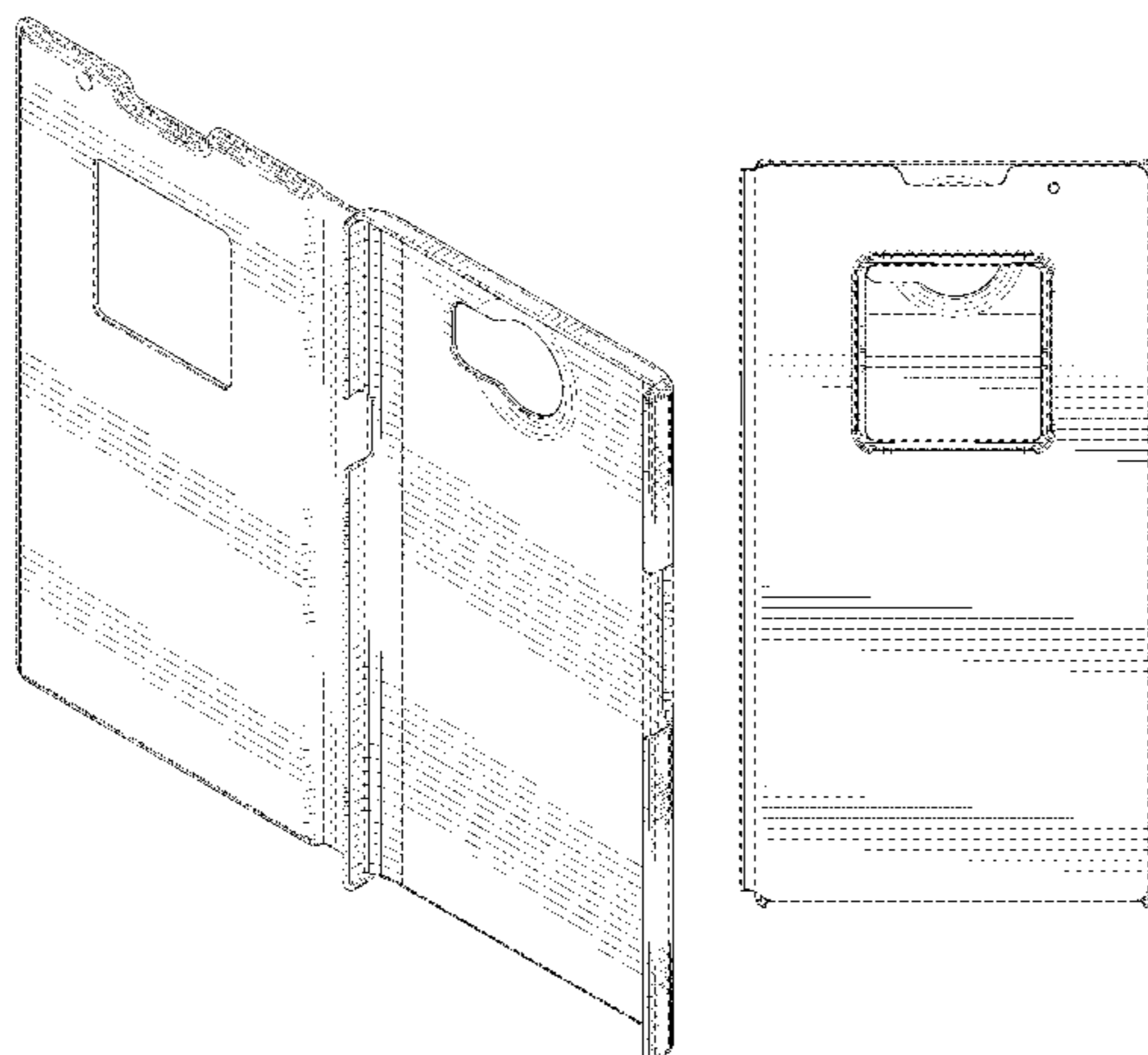
(57) **CLAIM**

The ornamental design for a handheld electronic device shell, as shown and described.

DESCRIPTION

FIG. 1 is a first perspective view of the handheld electronic device shell;
 FIG. 2 is a second perspective view thereof;
 FIG. 3 is a first elevational view thereof;
 FIG. 4 is a second elevational view thereof;
 FIG. 5 is a first side elevational view thereof;
 FIG. 6 is a second side elevational view thereof;
 FIG. 7 is a top plan view thereof;
 FIG. 8 is a bottom plan view thereof;
 FIG. 9 is a first perspective view of the handheld electronic device shell in another configuration;
 FIG. 10 is a second perspective view thereof;
 FIG. 11 is a first elevational view thereof;
 FIG. 12 is a second elevational view thereof;
 FIG. 13 is a first side elevational view thereof;
 FIG. 14 is a second side elevational view thereof;
 FIG. 15 is a top plan view thereof; and,
 FIG. 16 is a bottom plan view thereof.

1 Claim, 12 Drawing Sheets



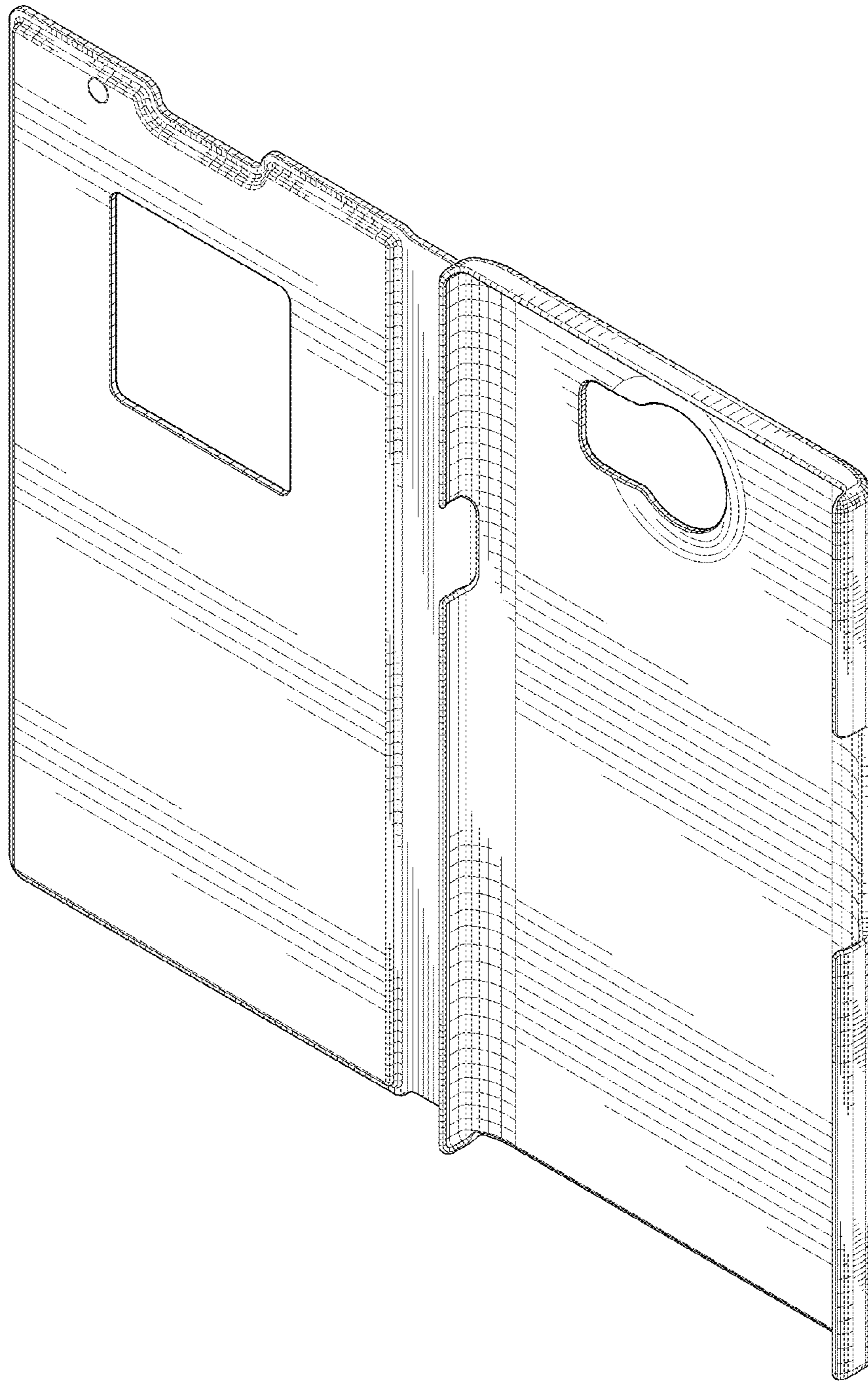


FIG.1

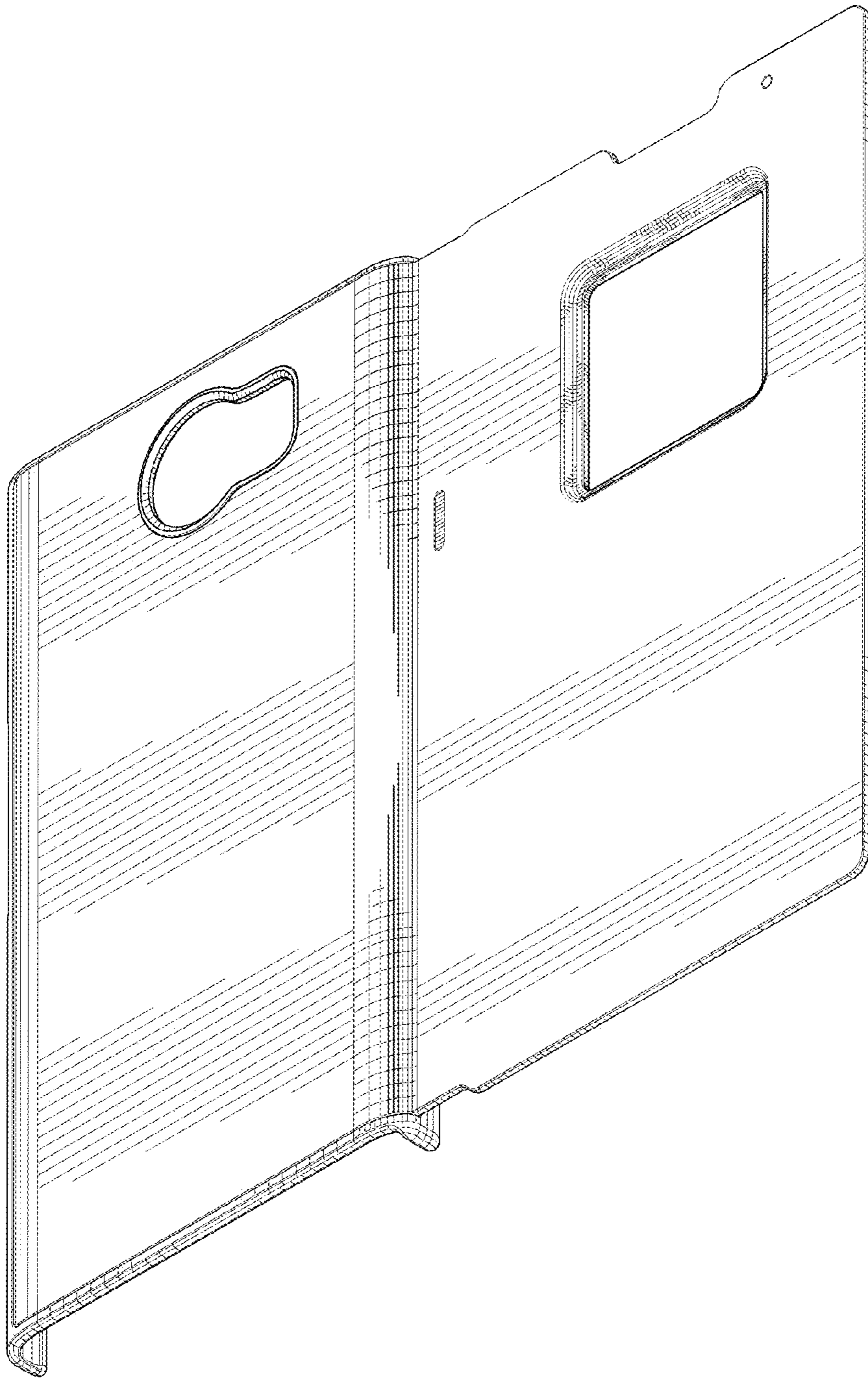


FIG.2

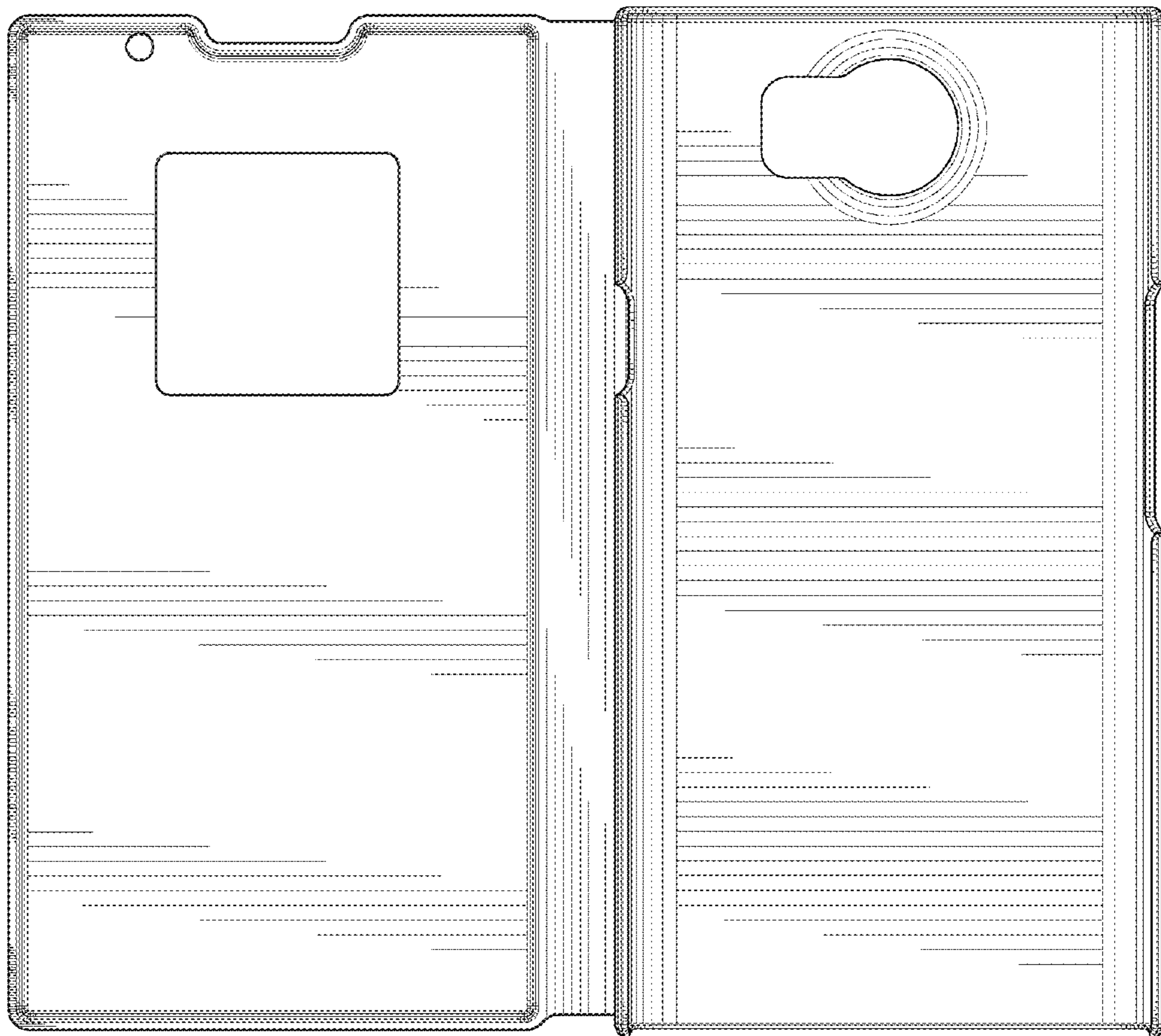


FIG.3

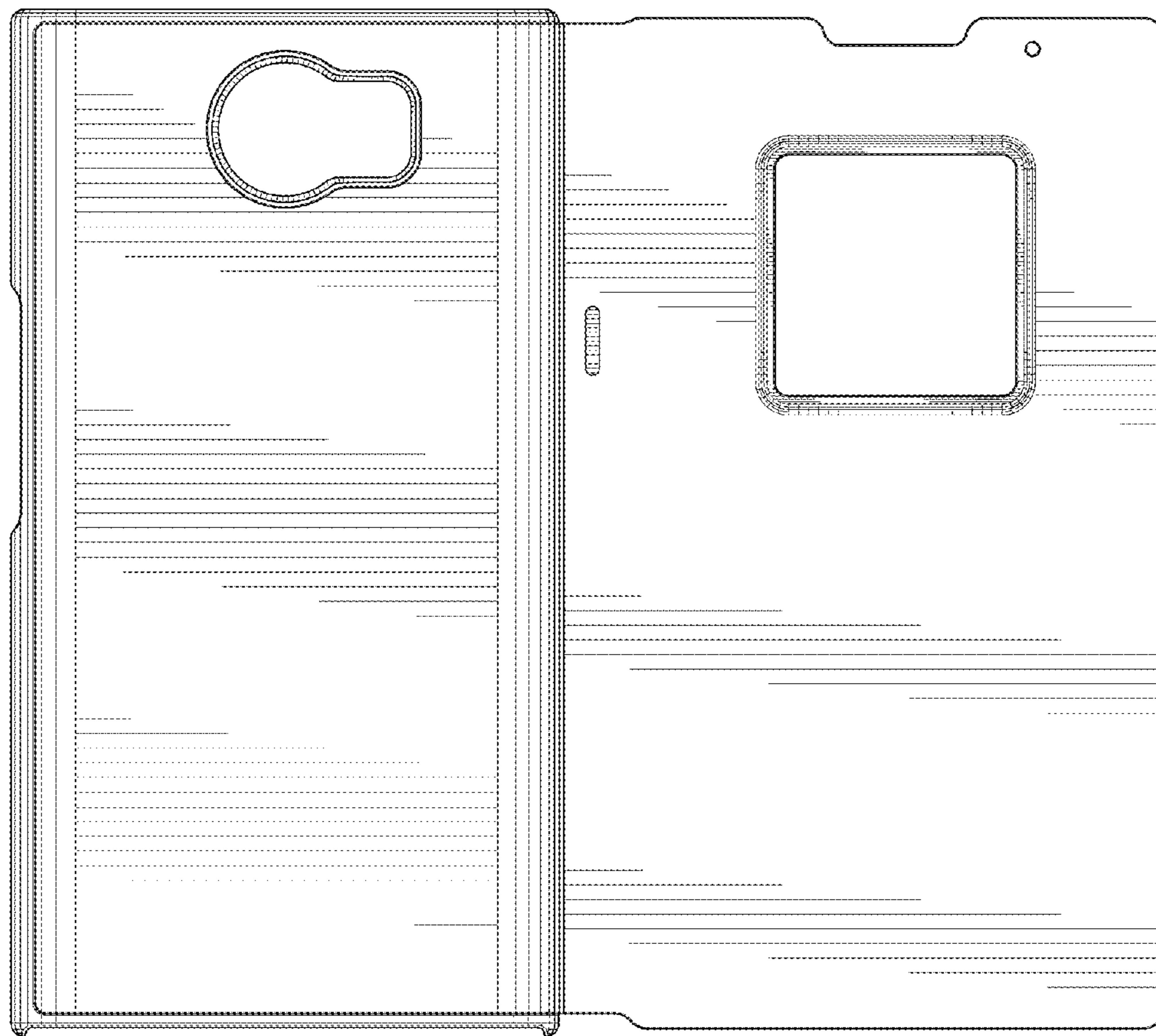


FIG.4



FIG. 5

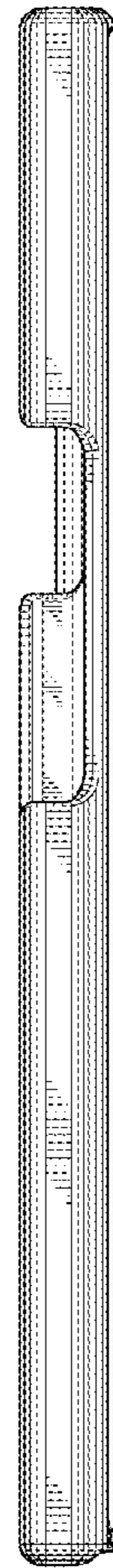


FIG. 6

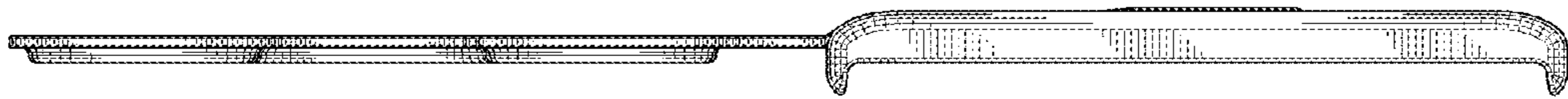


FIG. 7



FIG. 8

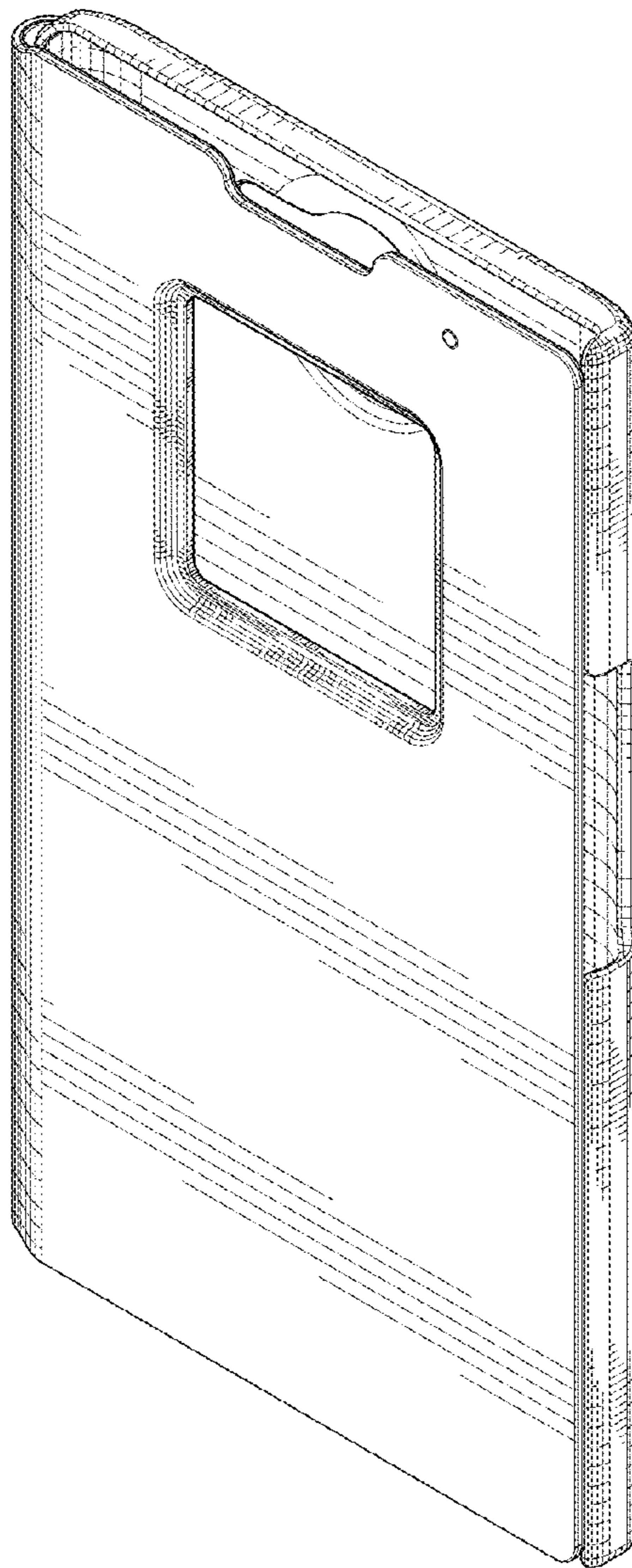


FIG.9

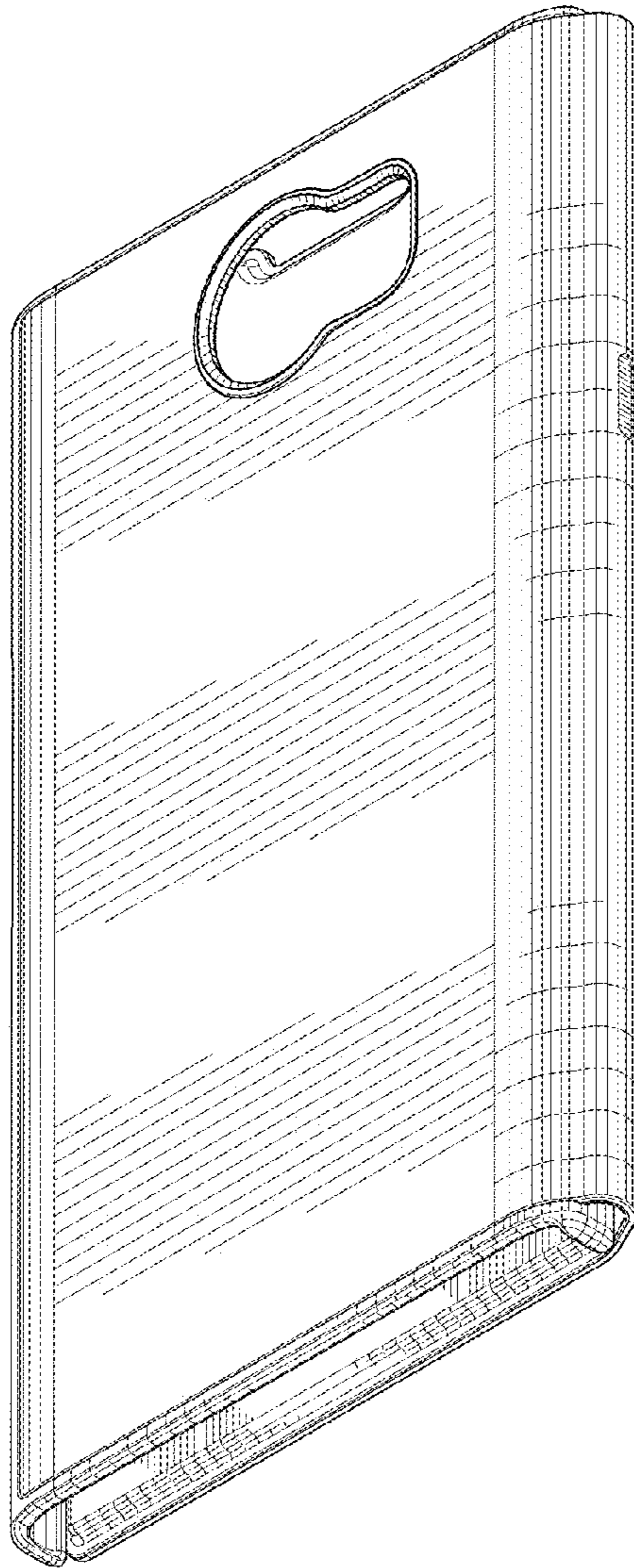


FIG.10

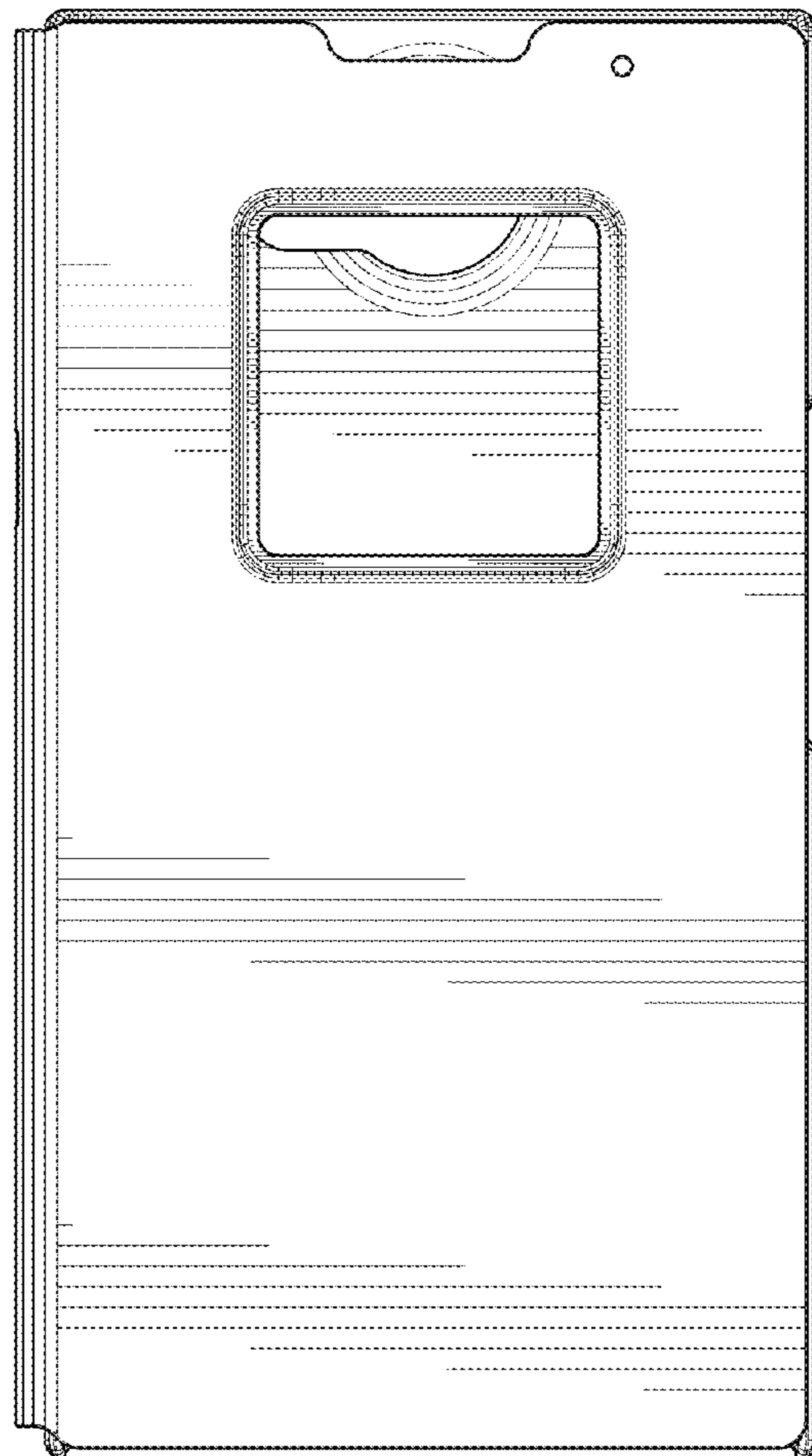


FIG.11

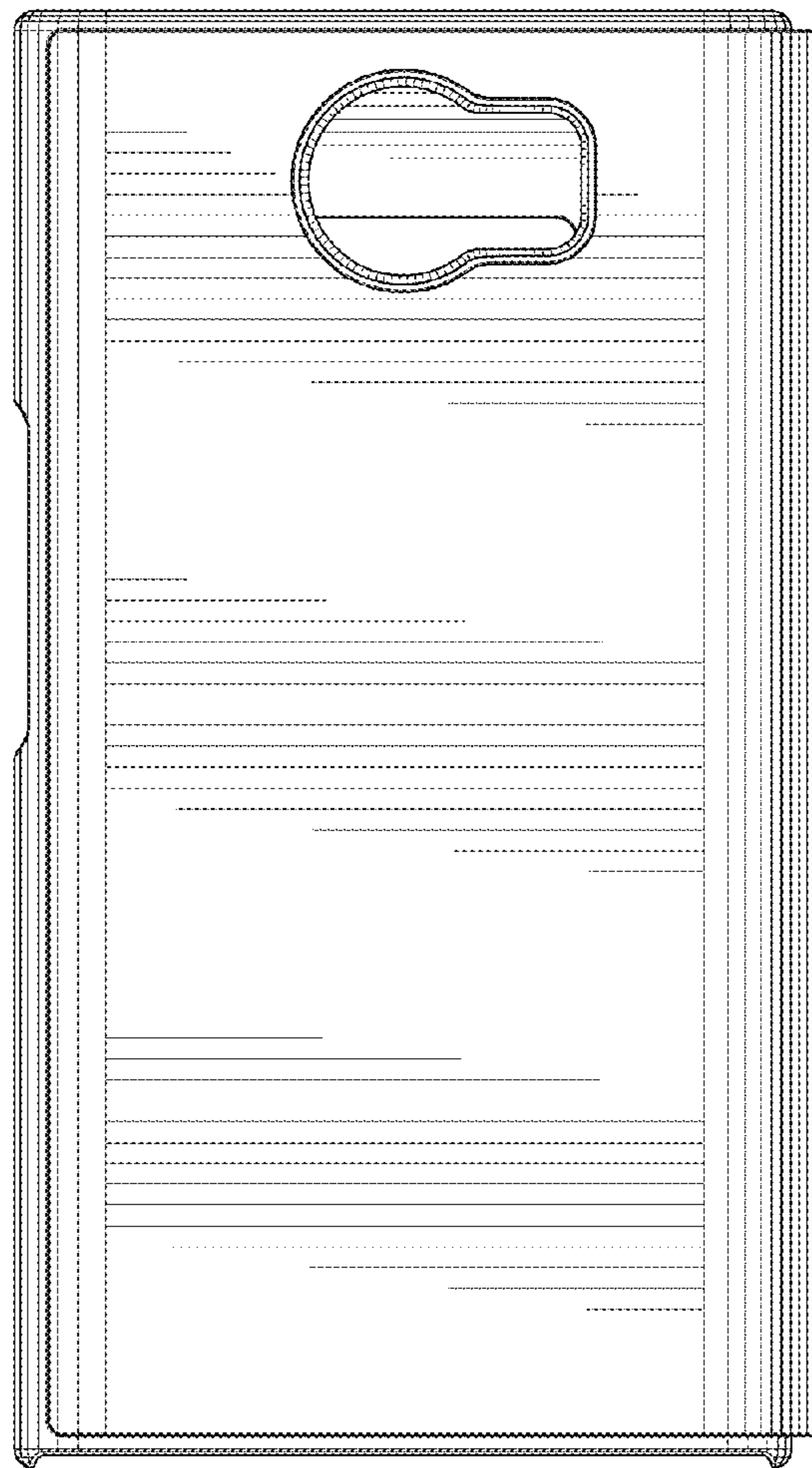


FIG.12

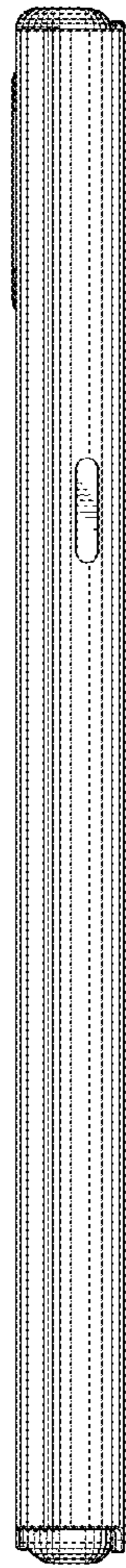


FIG. 13

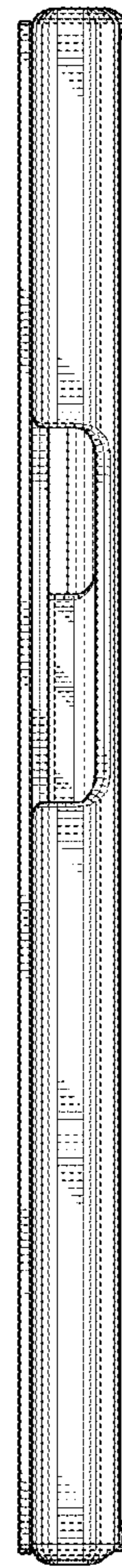


FIG. 14

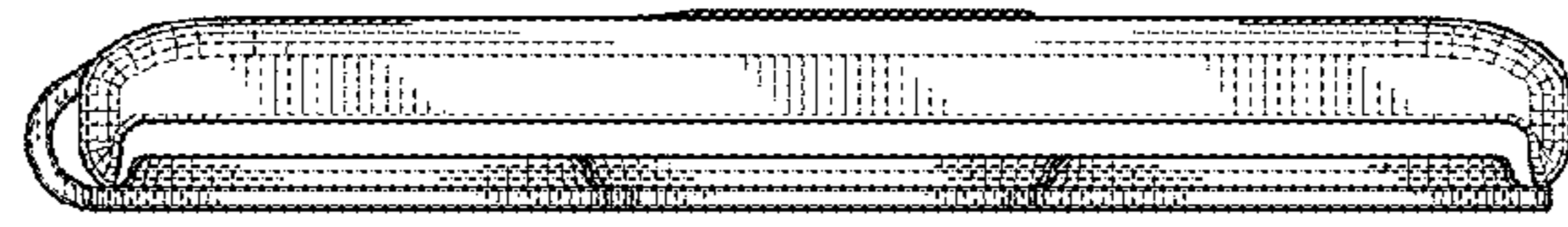


FIG.15



FIG.16