



US00D762196S

(12) **United States Design Patent**
Hsieh et al.

(10) **Patent No.:** **US D762,196 S**
(45) **Date of Patent:** **** Jul. 26, 2016**

(54) **EARPHONE**

(71) Applicant: **1MORE INC.**, Shenzhen (CN)

(72) Inventors: **Kuanhong Hsieh**, Guangdong (CN);
Boqing Lin, Shenzhen (CN); **Shixuan Yu**,
Shenzhen (CN); **Jiao Chen**, Shenzhen (CN);
Tianlei Wang, Shenzhen (CN)

(73) Assignee: **1MORE INC.**, Shenzhen (CN)

(**) Term: **14 Years**

(21) Appl. No.: **29/521,142**

(22) Filed: **Mar. 20, 2015**

(30) **Foreign Application Priority Data**

Feb. 10, 2015 (CN) 2015 3 0040176

(51) **LOC (10) Cl.** **14-01**

(52) **U.S. Cl.**
USPC **D14/223**

(58) **Field of Classification Search**
USPC D14/223, 205, 206; 181/129, 130, 135;
379/430, 431; 381/380, 381, 328;
455/90.3, 575.1
CPC H04R 1/10
See application file for complete search history.

(56) **References Cited**

U.S. PATENT DOCUMENTS

- 4,981,194 A * 1/1991 Kamon H04R 1/08
181/129
- 5,410,608 A * 4/1995 Lucey H04R 1/083
381/360
- D431,553 S * 10/2000 Suzuki D14/223
- D487,077 S * 2/2004 Obata D14/223
- D517,054 S * 3/2006 Yang D14/205
- D539,268 S * 3/2007 Suzuki D14/206
- D554,627 S * 11/2007 Gondo D14/223
- D558,735 S * 1/2008 Carr D14/206

- D566,099 S * 4/2008 Komiyama D14/206
- D567,217 S * 4/2008 Kamo D14/205
- D572,703 S * 7/2008 Ledbetter D14/205
- D573,978 S * 7/2008 Ledbetter D14/205
- D576,154 S * 9/2008 Ledbetter D14/223
- D587,681 S * 3/2009 Yanai D14/205
- D591,264 S * 4/2009 Hong D14/205
- D598,901 S * 8/2009 Lee D14/223
- D605,636 S * 12/2009 Yang D14/223
- D626,117 S * 10/2010 Lowry D14/223
- D628,193 S * 11/2010 Zheng D14/223
- D647,081 S * 10/2011 Kwon D14/223
- D653,235 S * 1/2012 McManigal D14/205
- 8,111,861 B2 * 2/2012 Lowry H04R 1/1016
181/135
- D678,251 S * 3/2013 Cantoni D14/223
- D679,267 S * 4/2013 Lee D14/223
- D680,102 S * 4/2013 Chen D14/223
- D683,332 S * 5/2013 Lee D14/223
- D686,597 S * 7/2013 Lee D14/223
- D697,058 S * 1/2014 Thompson D14/205
- 8,660,287 B2 * 2/2014 Stephenson H04R 1/1033
381/370
- D701,195 S * 3/2014 Katsumata D14/223
- 8,712,087 B2 * 4/2014 Ozawa H04R 1/345
181/130
- D707,652 S * 6/2014 Brunner D14/205

(Continued)

Primary Examiner — Paula Greene

(74) *Attorney, Agent, or Firm* — Polsinelli PC

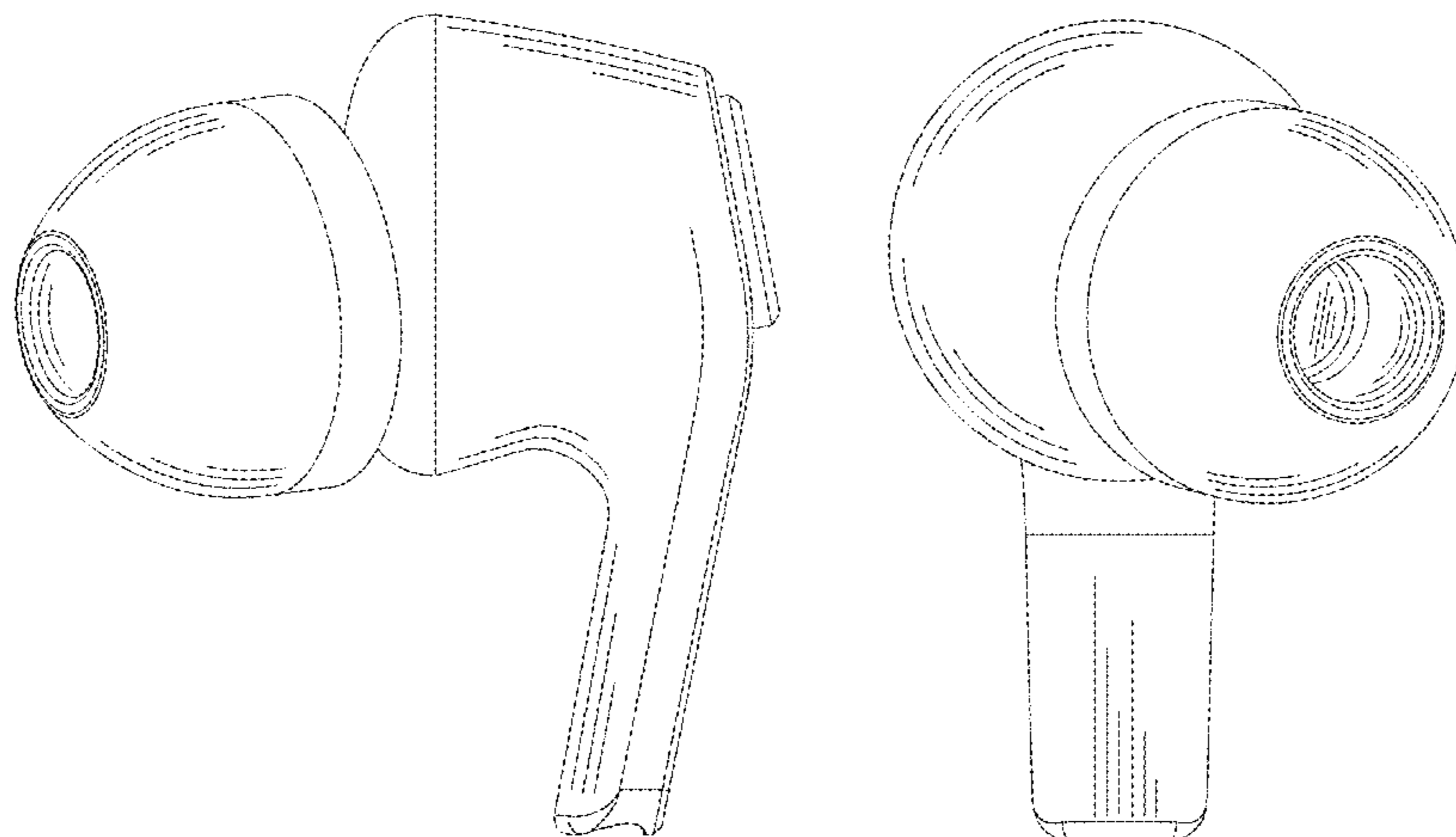
(57) **CLAIM**

The ornamental design for an earphone, as shown and described.

DESCRIPTION

FIG. 1 is a front elevational view of an earphone showing my new design;
FIG. 2 is a rear elevational view thereof;
FIG. 3 is a left-side elevational view thereof;
FIG. 4 is a right-side elevational view thereof;
FIG. 5 is a top plan view thereof;
FIG. 6 is a bottom plan view thereof; and,
FIG. 7 is a perspective view thereof.

1 Claim, 7 Drawing Sheets



(56)

References Cited

U.S. PATENT DOCUMENTS

D710,334 S * 8/2014 Yang D14/223
D712,882 S * 9/2014 Wang D14/223
8,831,266 B1 * 9/2014 Huang H04R 1/1091
381/370
D718,284 S * 11/2014 Shibusawa D14/223
D718,286 S * 11/2014 Yang D14/223

D732,508 S * 6/2015 Funayama D14/223
D732,509 S * 6/2015 Brunner D14/223
D733,101 S * 6/2015 Pi D14/223
D741,287 S * 10/2015 Harata D14/205
D742,860 S * 11/2015 Miyake D14/223
D746,268 S * 12/2015 Karayiannis D14/223
D746,792 S * 1/2016 Kim D14/205
2011/0211723 A1 * 9/2011 Annunziato H04R 1/2842
381/380

* cited by examiner

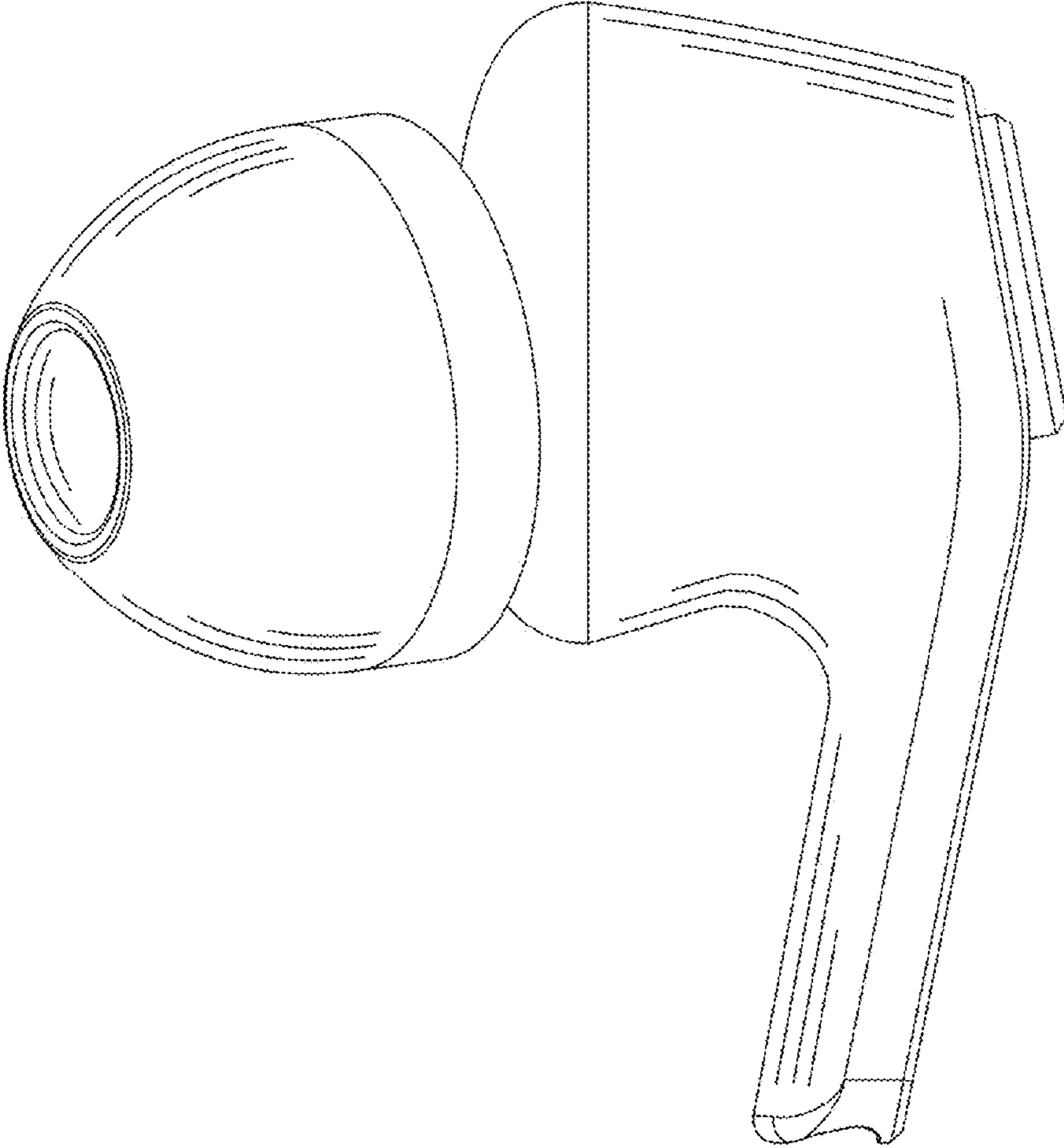


FIG. 1

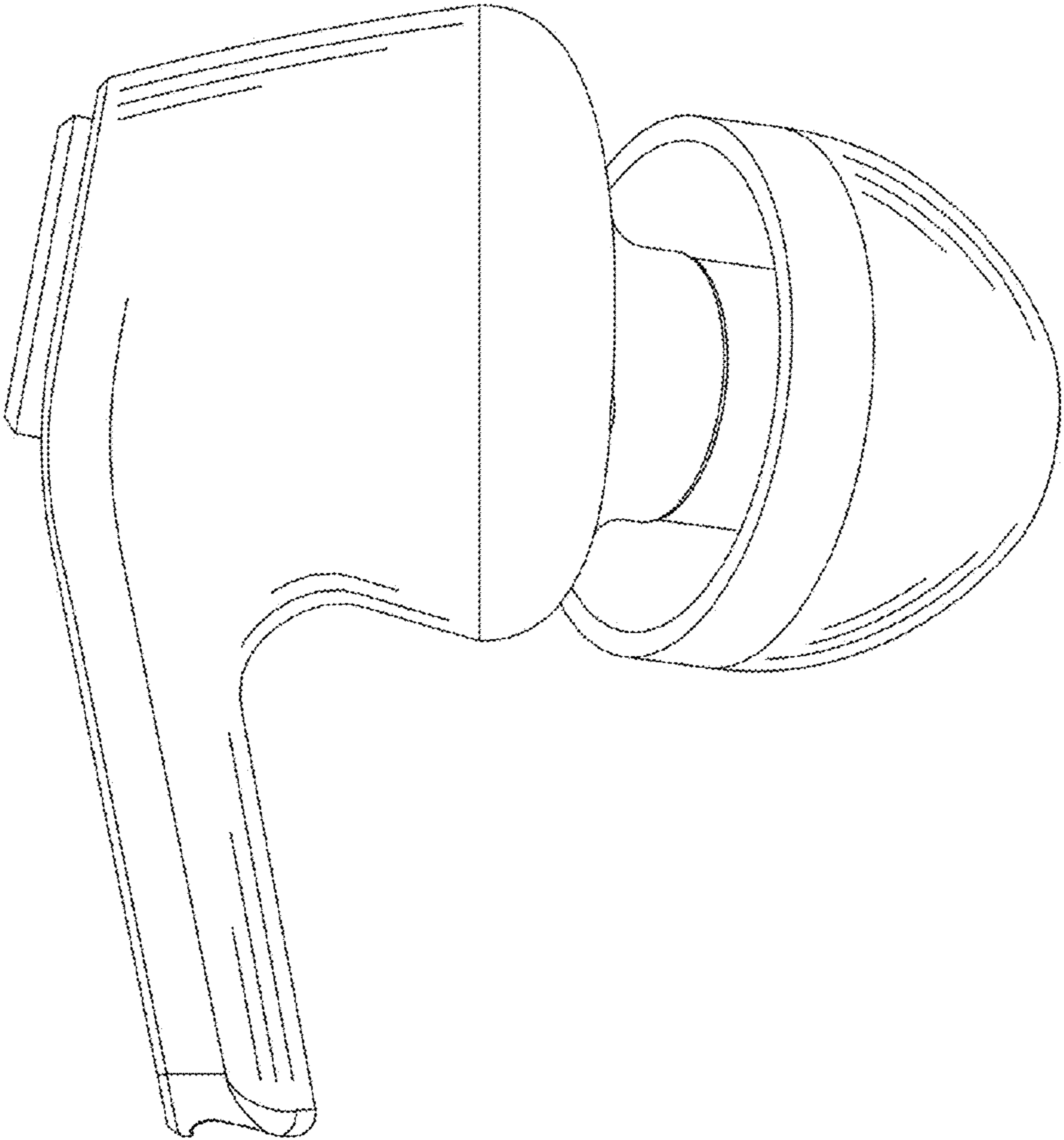


FIG. 2

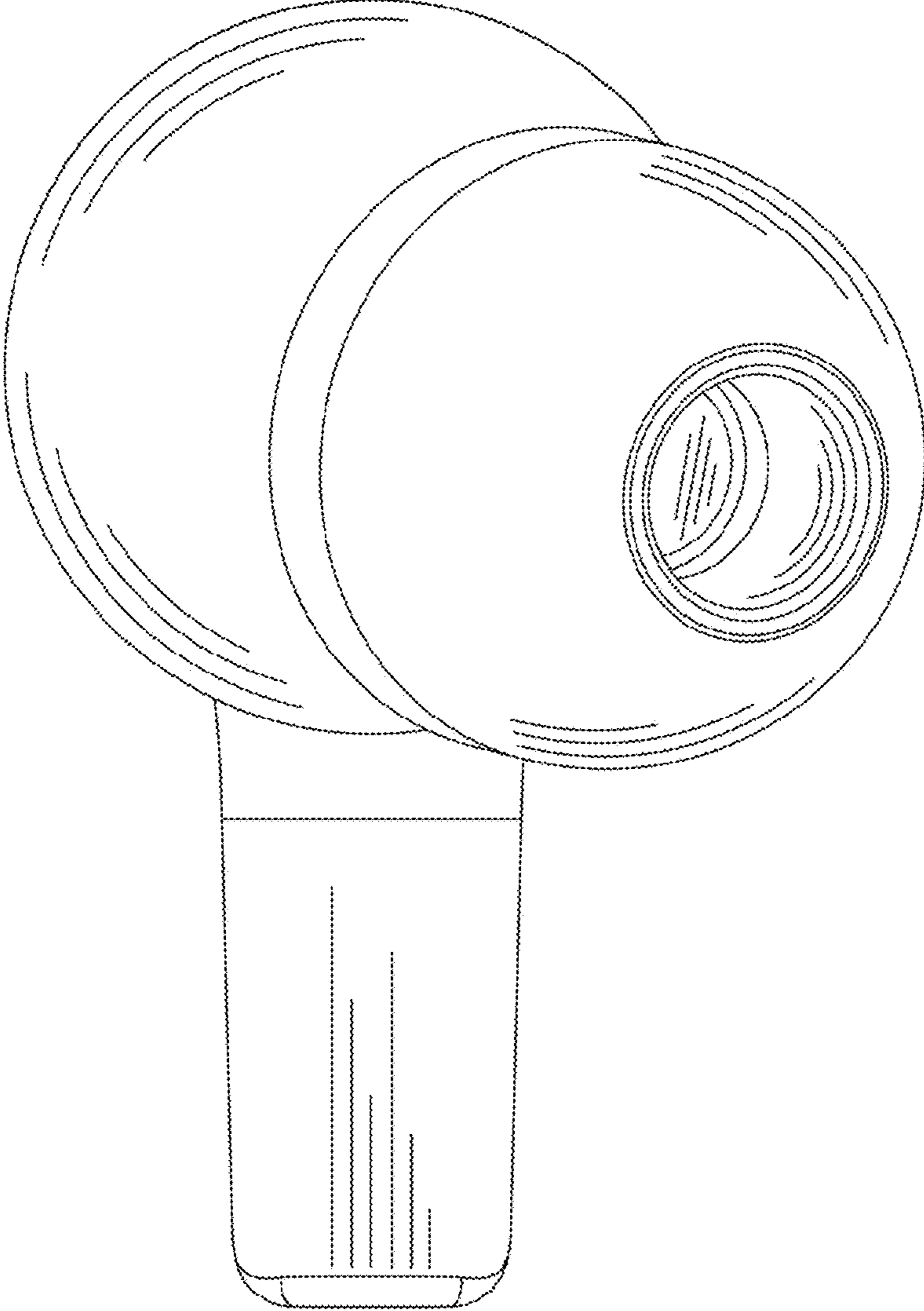


FIG. 3

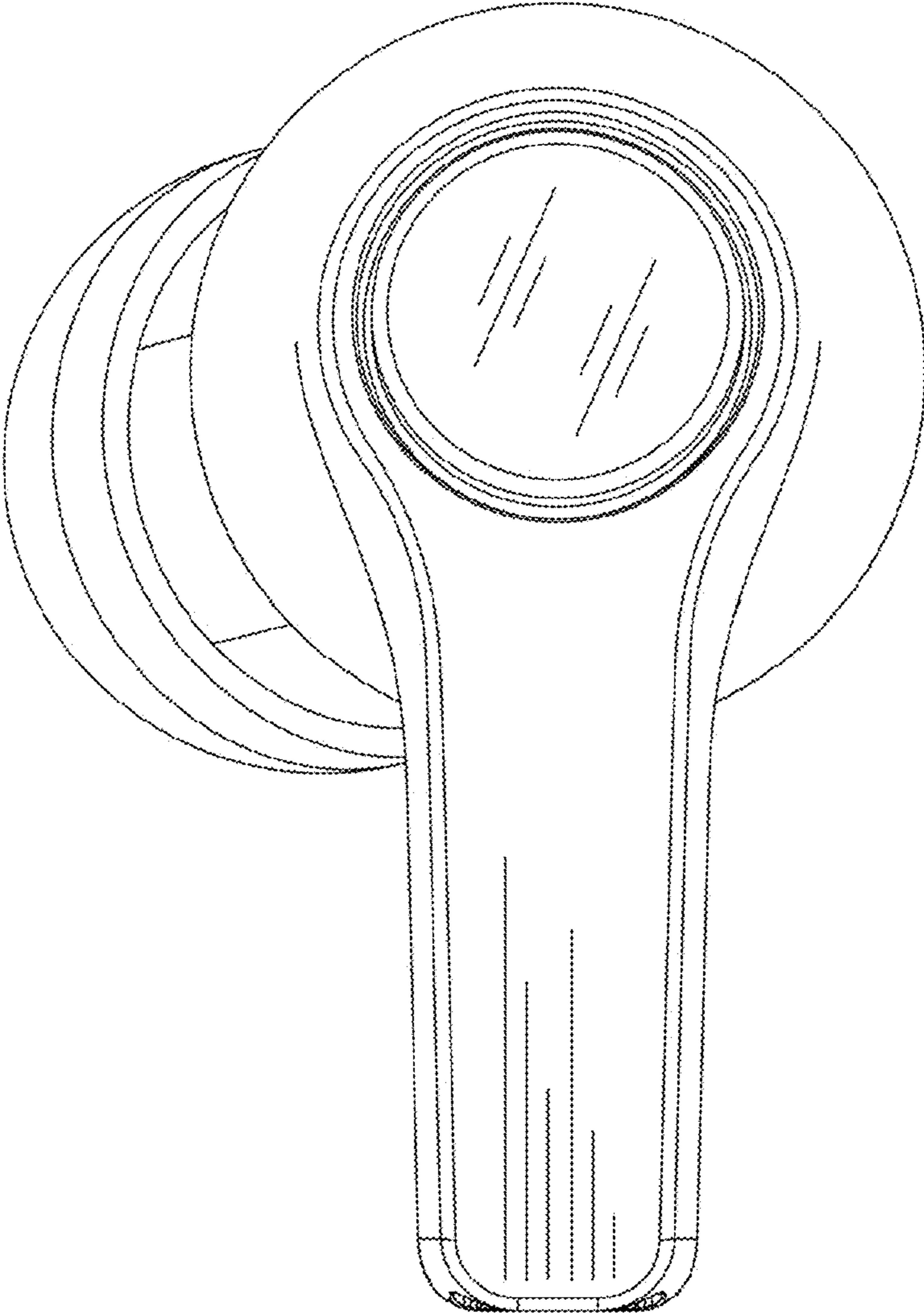


FIG. 4

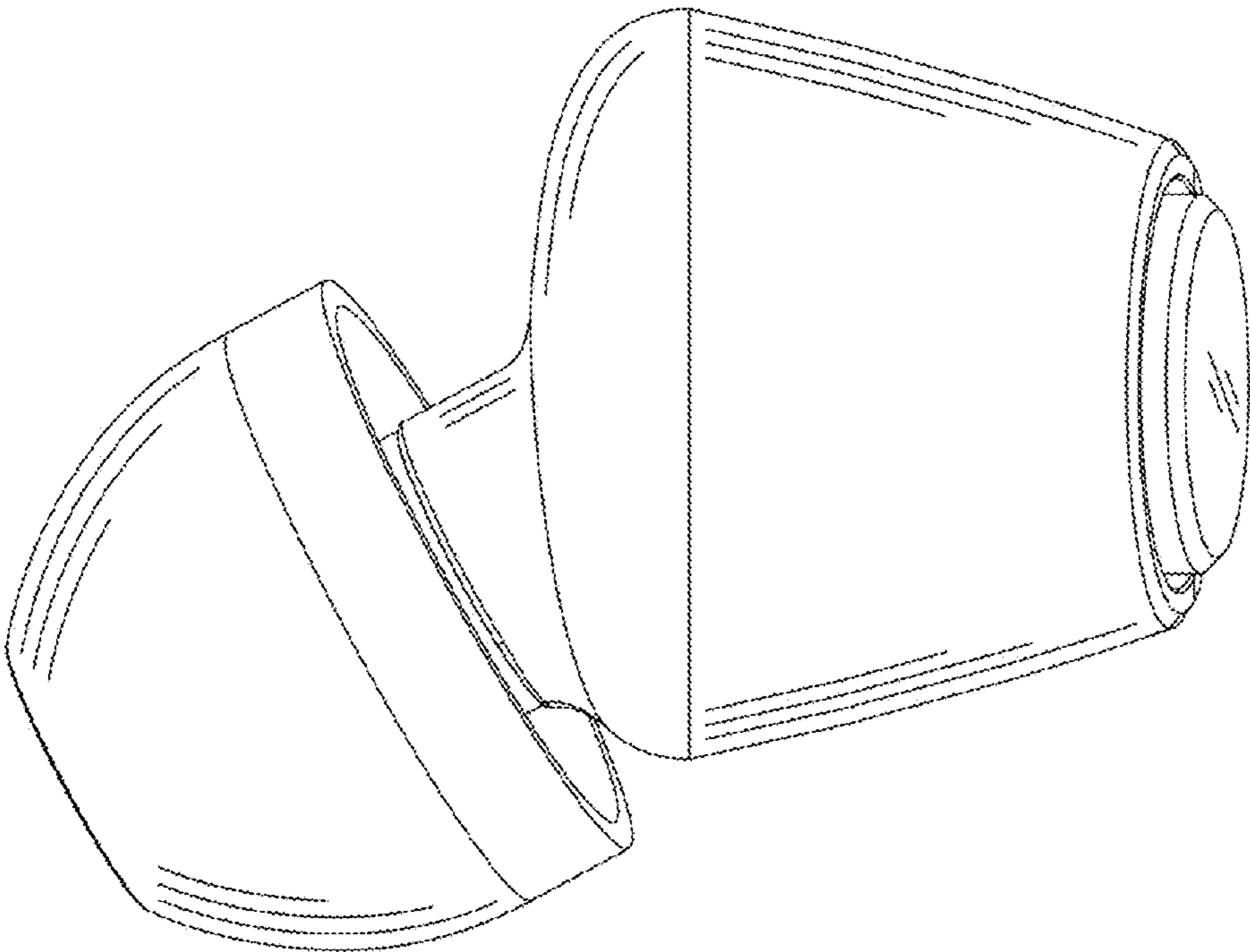


FIG. 5

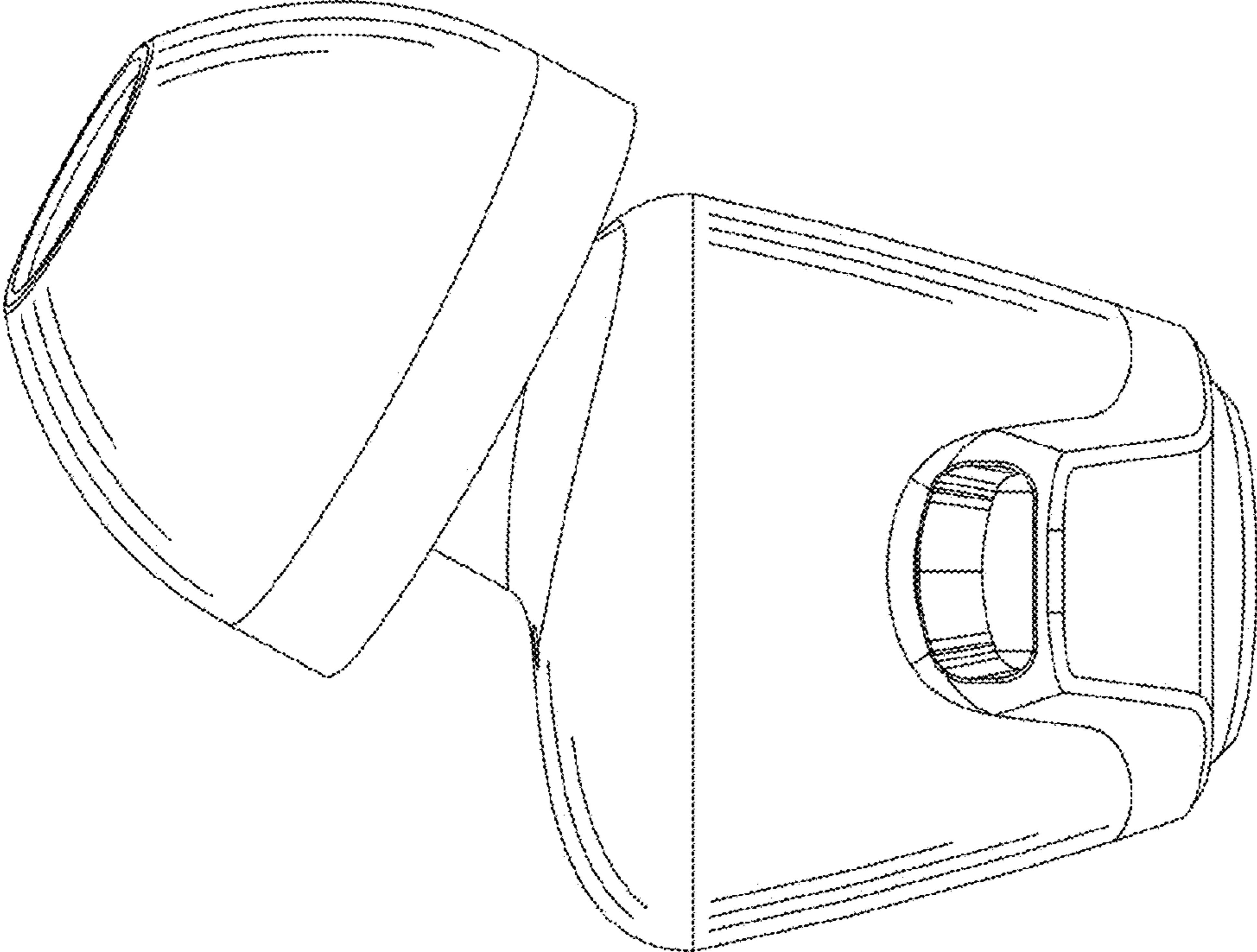


FIG. 6

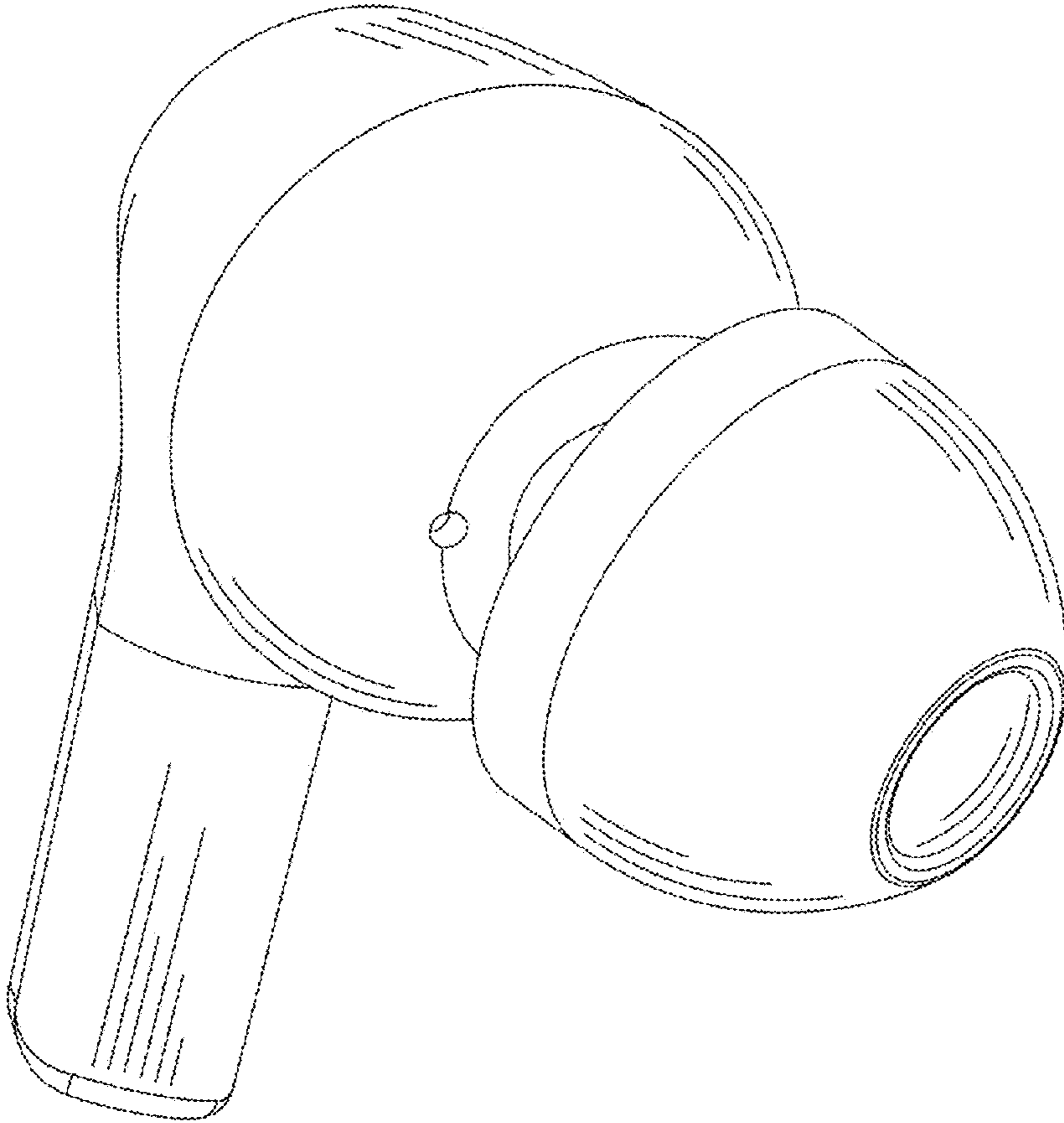


FIG. 7