



US00D762194S

(12) **United States Design Patent**
Komazaki

(10) **Patent No.:** **US D762,194 S**
(45) **Date of Patent:** **** Jul. 26, 2016**

- (54) **SPEAKER FOR VEHICLES**
- (71) Applicant: **JVC KENWOOD CORPORATION**,
Yokohama-shi, Kanagawa (JP)
- (72) Inventor: **Kakagu Komazaki**, Yokohama (JP)
- (73) Assignee: **JVC KENWOOD CORPORATION**,
Yokohama-Shi, Kanagawa (JP)
- (**) Term: **14 Years**
- (21) Appl. No.: **29/522,075**
- (22) Filed: **Mar. 27, 2015**
- (30) **Foreign Application Priority Data**
Dec. 25, 2014 (JP) 2014-029107
- (51) **LOC (10) Cl.** **14-03**
- (52) **U.S. Cl.**
USPC **D14/216; D14/224**
- (58) **Field of Classification Search**
USPC D14/216, 224, 204, 208, 209.1, 210,
D14/212-213, 215, 219, 221, 222;
D10/120; 181/156, 159, 168, 170, 291;
381/343, 386, 397, 156, 159, 175, 421,
381/184, 144, 186
CPC H04R 25/00; H04R 1/24; H04R 1/26;
H04R 1/02; H05K 5/00
See application file for complete search history.

- (56) **References Cited**
U.S. PATENT DOCUMENTS
1,844,787 A * 2/1932 Newill H04R 7/122
181/163
2,539,672 A * 1/1951 Olson H04R 1/24
181/144
2,638,509 A * 5/1953 Charlesworth H04R 31/003
181/171
2,873,812 A * 2/1959 Avedon H04R 1/30
181/159

- 3,111,187 A * 11/1963 Barlow H04R 7/06
181/168
- D197,716 S * 3/1964 Boldt D14/216
- 3,356,796 A * 12/1967 Wray H04R 9/06
381/412
- 3,462,559 A * 8/1969 Wilder H04R 9/02
381/189
- D232,440 S * 8/1974 Yanagawa D14/216
- D239,538 S * 4/1976 Wagner D14/216
- D250,586 S * 12/1978 Nussdorfer D14/216
- D253,108 S * 10/1979 Schroeder 181/147
- 4,365,114 A * 12/1982 Soma H04R 1/323
181/144
- 4,525,604 A * 6/1985 Frye H04R 1/30
181/152
- D282,065 S * 1/1986 Piercy D14/224
- D295,741 S * 5/1988 Keitoku D14/215
- 4,815,558 A * 3/1989 Krainhofer H04R 1/025
181/141
- 5,042,072 A * 8/1991 Button H04R 9/022
381/397

(Continued)

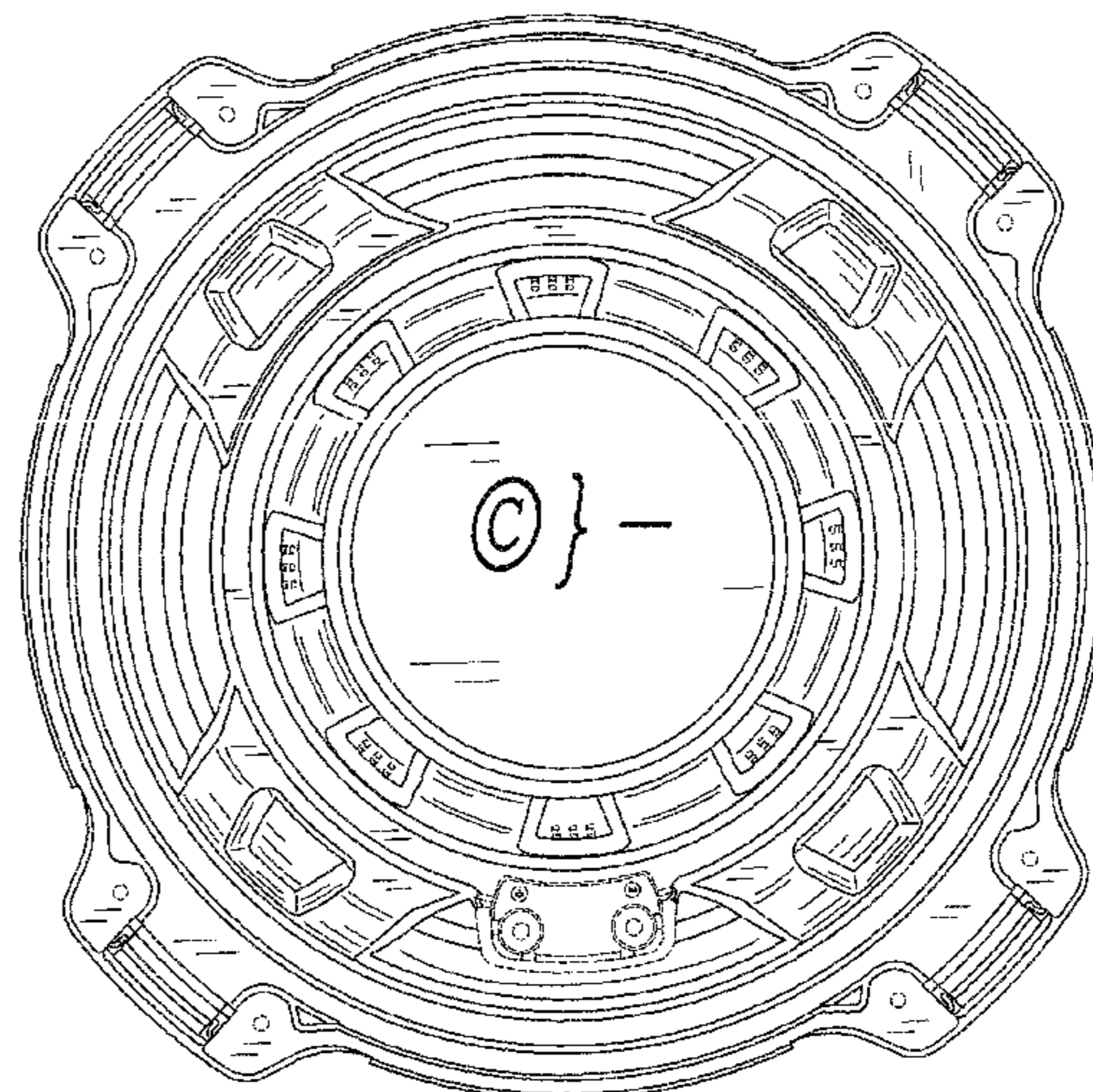
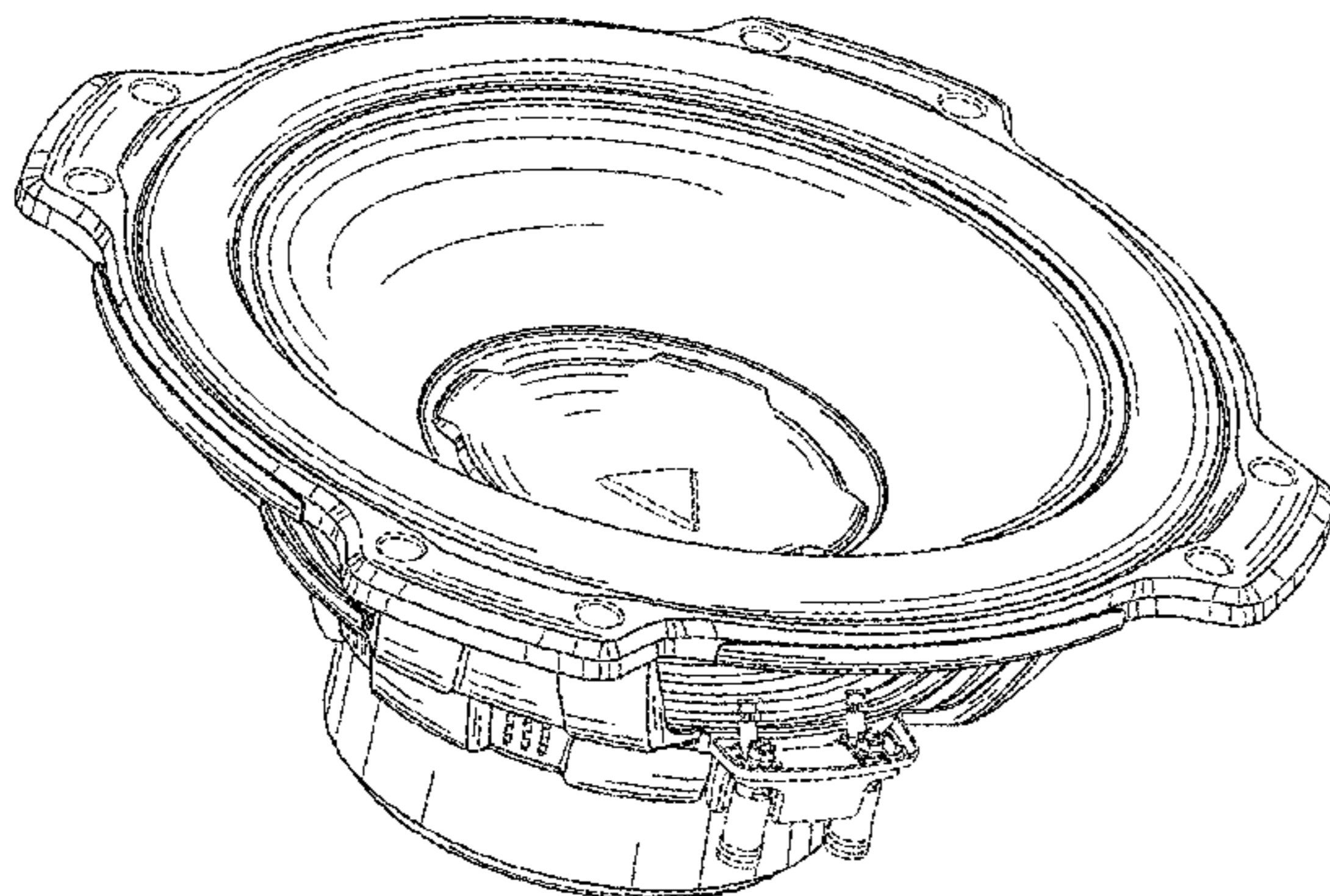
Primary Examiner — Paula Greene
(74) *Attorney, Agent, or Firm* — Nath, Goldberg & Meyer;
Jerald L. Meyer

(57) **CLAIM**
The ornamental design for speaker for vehicles, as shown and described.

DESCRIPTION

FIG. 1 is a perspective view.
FIG. 2 is a front view.
FIG. 3 is a rear view.
FIG. 4 is a left side view.
FIG. 5 is a right side view.
FIG. 6 is a top plan view; and,
FIG. 7 is a bottom plan view.
The broken lines shown are included for the purpose of illustrating the unclaimed portions of the article and form no part of the claimed design. The lines consisting of long lines and dots indicate conceptual border lines between the claimed portions and the disclaimed portions.

1 Claim, 7 Drawing Sheets



(56)

References Cited

U.S. PATENT DOCUMENTS

D360,886 S * 8/1995 Hall D14/216
 D393,641 S * 4/1998 Hai-Fu D14/216
 5,909,015 A * 6/1999 Yamamoto H04R 9/022
 181/156
 6,072,887 A * 6/2000 Wei H04R 11/00
 379/433.02
 6,095,278 A * 8/2000 Lin H04R 9/06
 181/148
 D432,118 S * 10/2000 Honnert D14/216
 6,393,132 B1 * 5/2002 Lin H04R 9/063
 181/144
 D486,818 S * 2/2004 Shindo D14/216
 6,738,490 B2 * 5/2004 Brandt H04R 9/02
 381/412
 D502,939 S * 3/2005 Dayan D14/216

D504,416 S * 4/2005 Dayan D14/216
 6,929,092 B2 * 8/2005 Abe H04R 7/122
 181/167
 7,164,777 B1 * 1/2007 Stompler H04R 9/06
 381/412
 7,676,045 B2 * 3/2010 Merrey H04R 1/025
 381/386
 8,175,321 B2 * 5/2012 Bryant H04R 7/122
 381/396
 8,503,690 B2 * 8/2013 Knieschewski H04R 1/24
 381/182
 8,831,268 B2 * 9/2014 Yuan H04R 9/025
 381/386
 9,084,056 B2 * 7/2015 Flavignard H04R 1/24
 2002/0025059 A1 * 2/2002 Kudo H04R 7/125
 381/423
 2006/0133637 A1 * 6/2006 Proni H04R 9/06
 381/398

* cited by examiner

Fig. 1

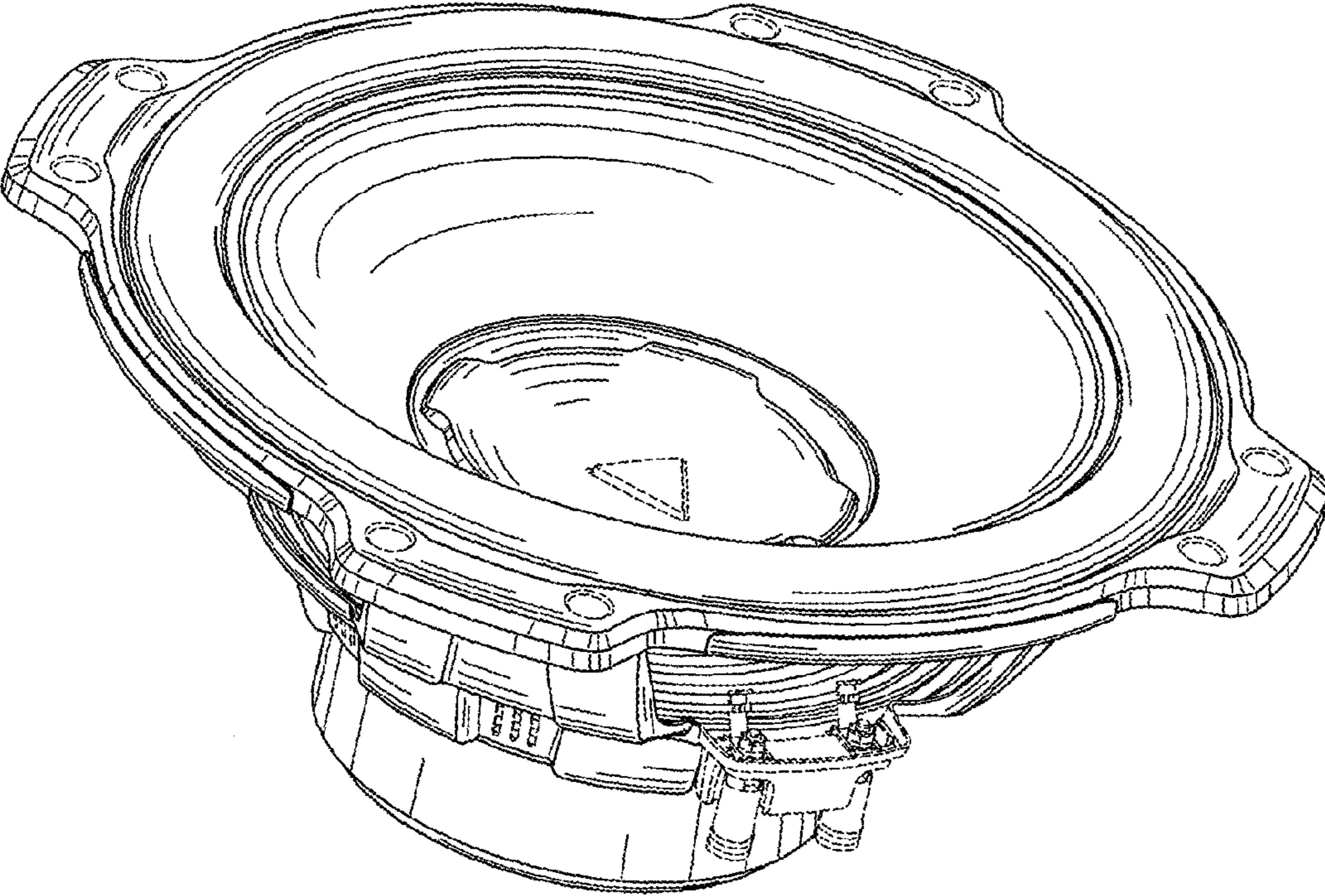


Fig.2

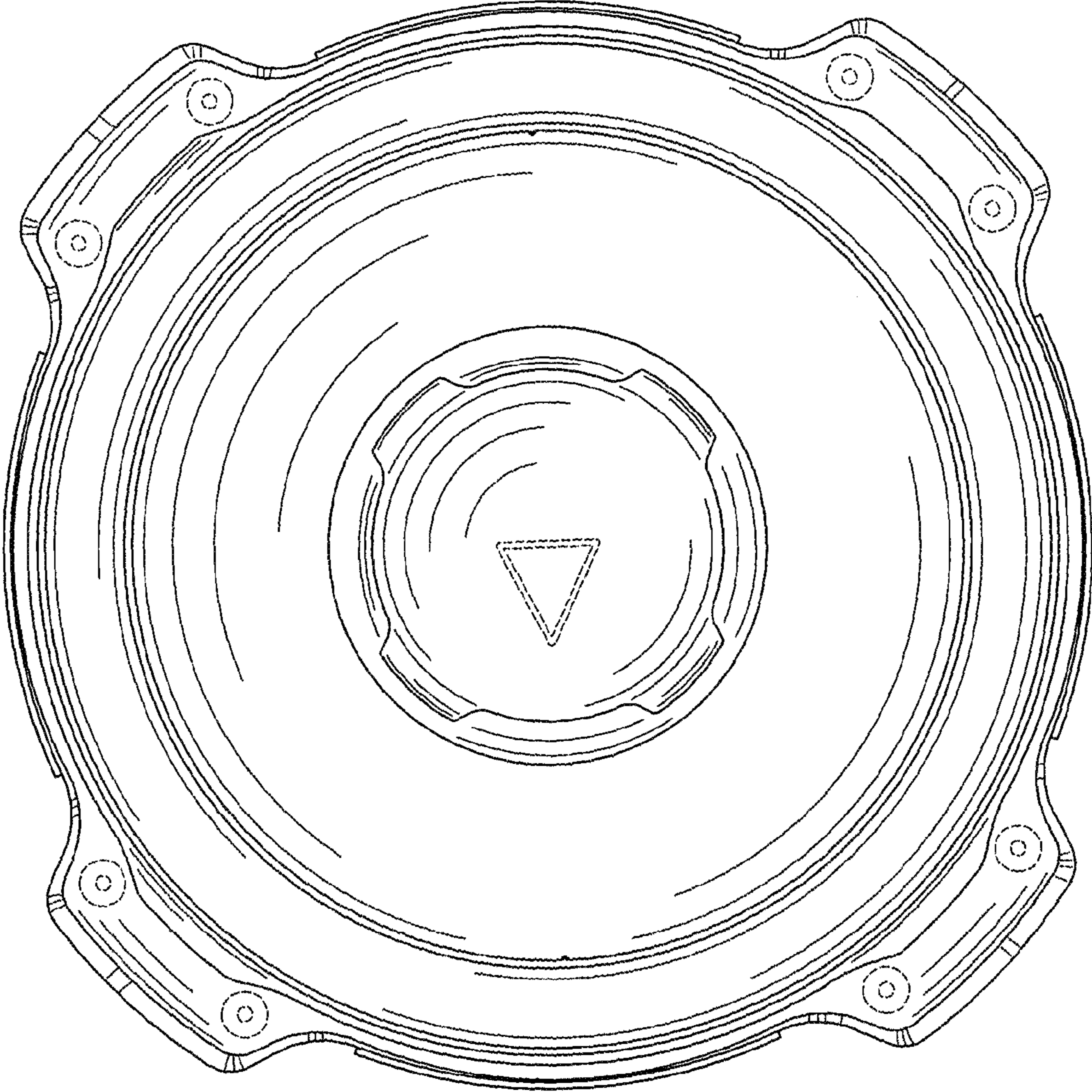


Fig.3

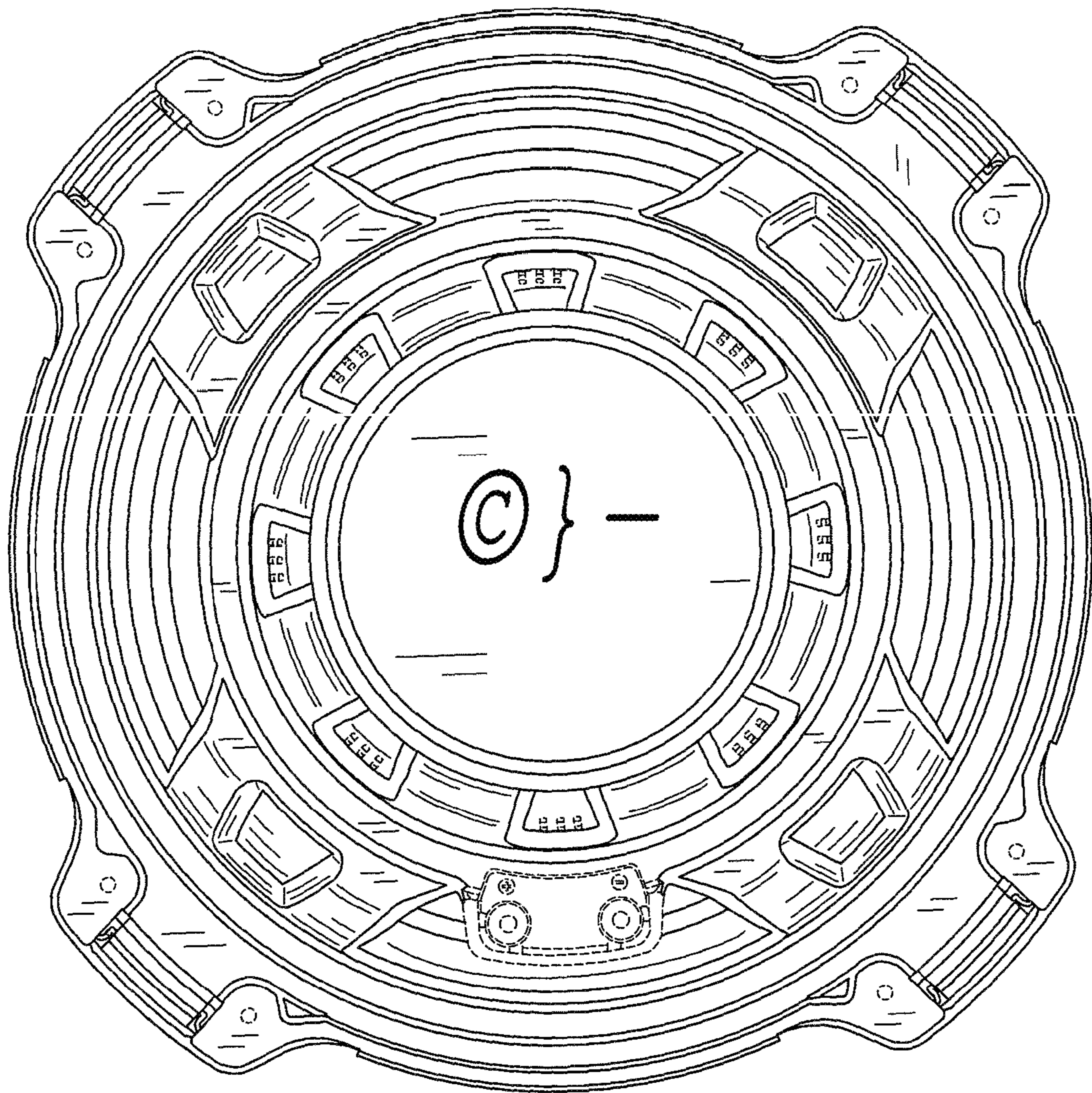


Fig.4

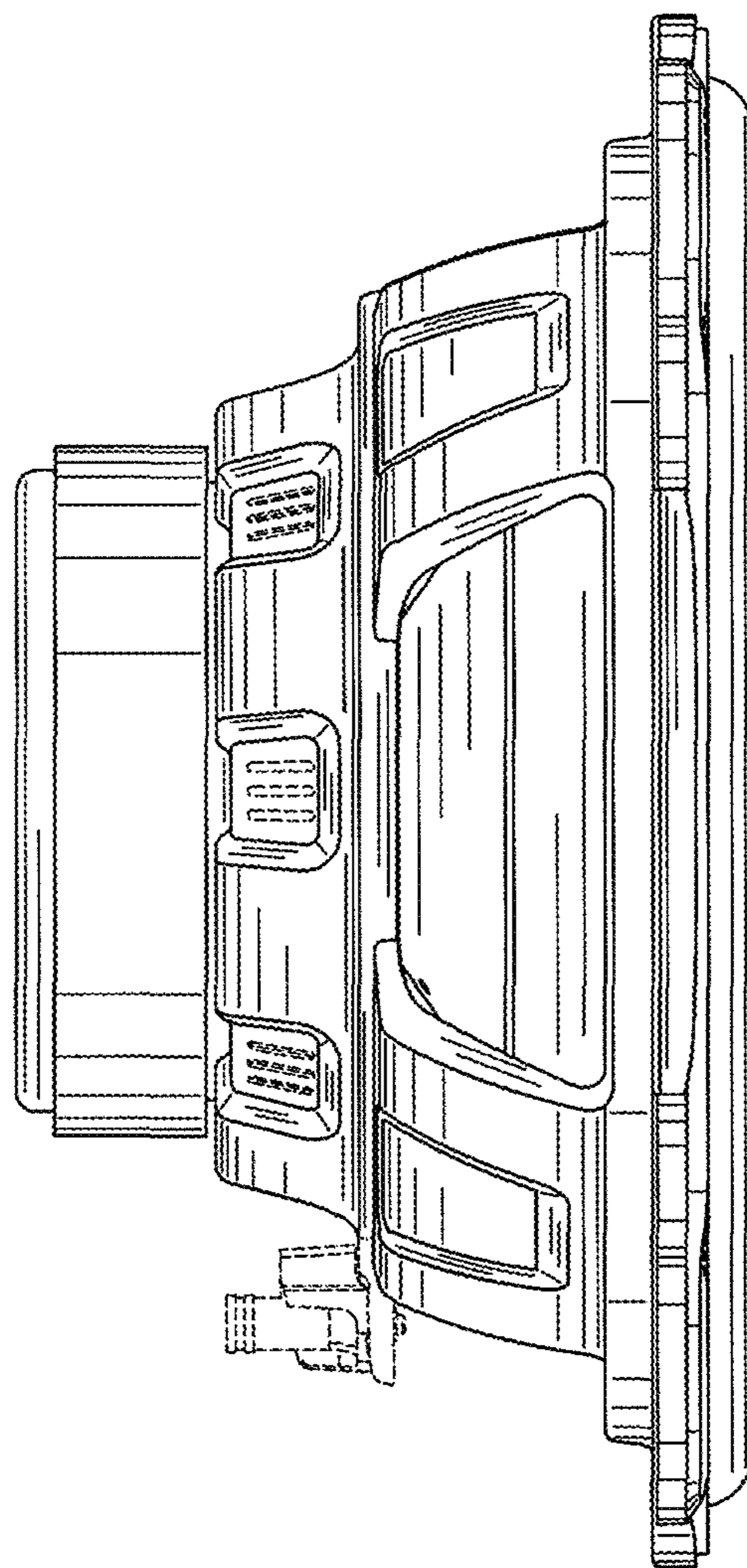


Fig.5

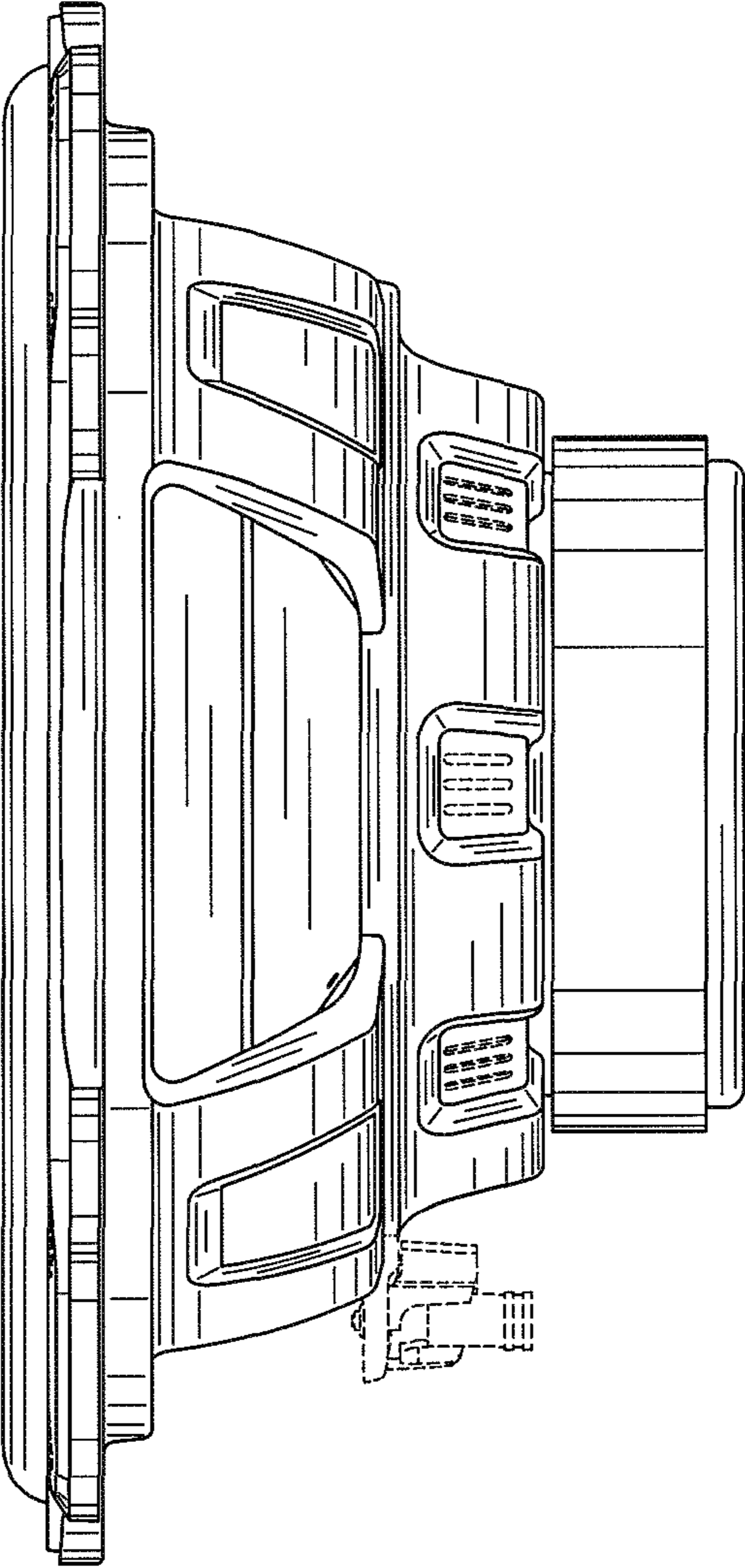


Fig.6

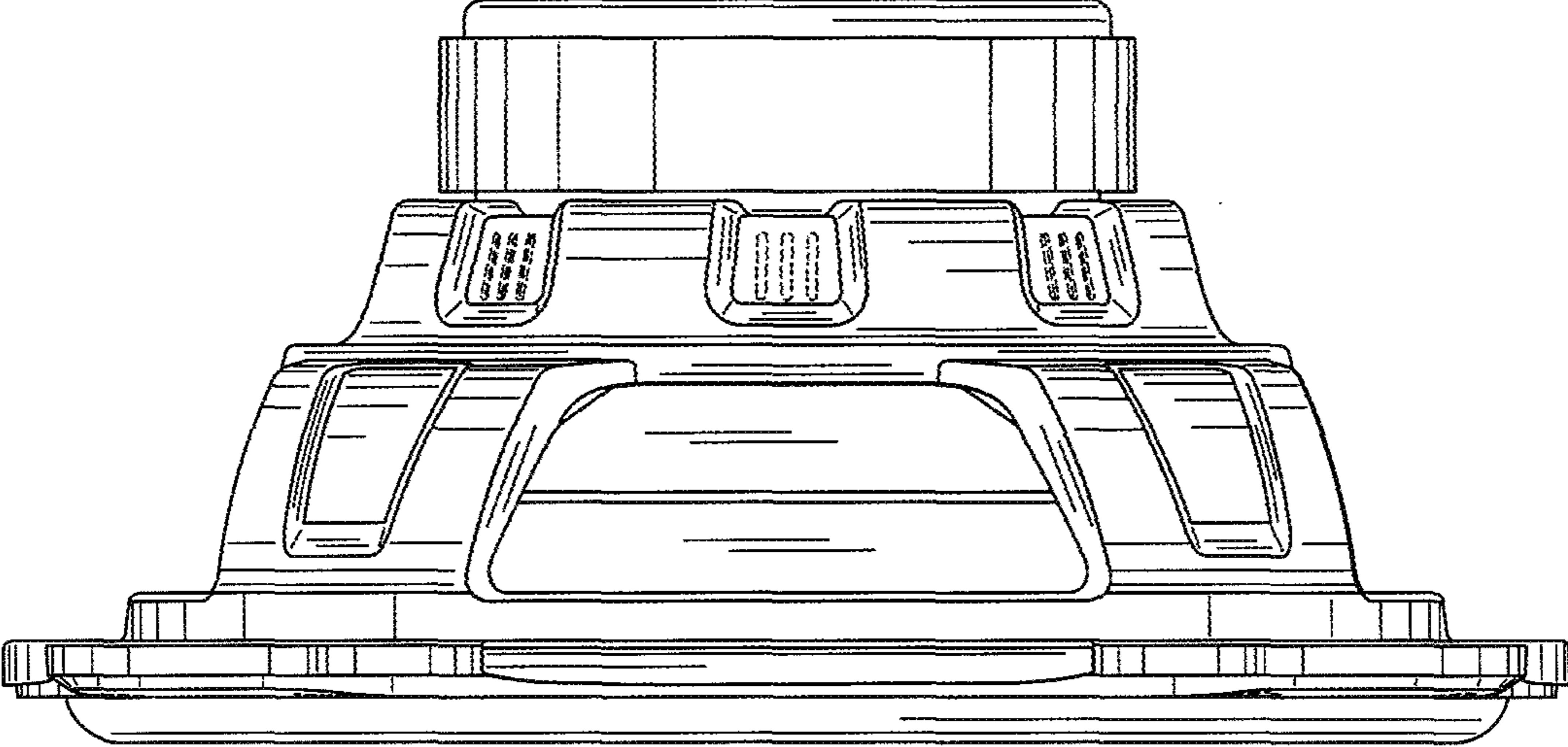


Fig.7

