



US00D762193S

(12) **United States Design Patent**
Petersen

(10) **Patent No.:** **US D762,193 S**
(45) **Date of Patent:** **** Jul. 26, 2016**

(54) **SPEAKER**

(71) Applicant: **Big Blue Audio LLC**, Merrimack, NH
(US)
(72) Inventor: **Christopher M. Petersen**, Milford, NH
(US)
(73) Assignee: **Big Blue Audio LLC**, Merrimack, NH
(US)

(**) Term: **14 Years**

(21) Appl. No.: **29/476,942**

(22) Filed: **Dec. 18, 2013**

(51) **LOC (10) Cl.** **14-03**

(52) **U.S. Cl.**
USPC **D14/215**

(58) **Field of Classification Search**
USPC D14/167, 168, 170–172, 188, 194–196,
D14/204, 207, 209.1, 210–216, 219, 221,
D14/222, 224, 496; 181/143, 144, 147, 148,
181/150, 153, 157, 198, 199; 381/300–303,
381/306, 332, 333, 336, 345, 361–364,
381/386–388; 369/6–12
CPC B60R 11/0217; G06F 1/1688; H04M 1/03;
H04M 1/035; H04R 1/02; H04R 1/06; H04R
1/021; H04R 1/025; H04R 1/026; H04R
1/028; H04R 1/105; H04R 1/323; H04R
1/403; H04R 1/2803; H04R 1/2834; H04R
5/02; H04R 7/20; H04R 9/06; H04R 9/025;
H04R 2201/021; H04R 2400/00; H04R
2400/07; H04R 2499/11; H04R 2499/13;
H04R 2499/15; H04S 3/00; H04S 7/30

See application file for complete search history.

(56) **References Cited**

U.S. PATENT DOCUMENTS

D394,863 S *	6/1998	Saer	D14/215
D546,813 S *	7/2007	Lewis	D14/168
D582,416 S *	12/2008	Duarte	D14/434
D645,844 S *	9/2011	McManigal	D14/214
D690,280 S *	9/2013	Schul	D14/168
D692,861 S *	11/2013	Paterson	D14/214
D718,736 S *	12/2014	Thompson	D14/168
D721,061 S *	1/2015	Burlingame	D14/216

* cited by examiner

Primary Examiner — Keli L Hill

(74) *Attorney, Agent, or Firm* — Grossman Tucker Perreault
& Pflieger, PLLC

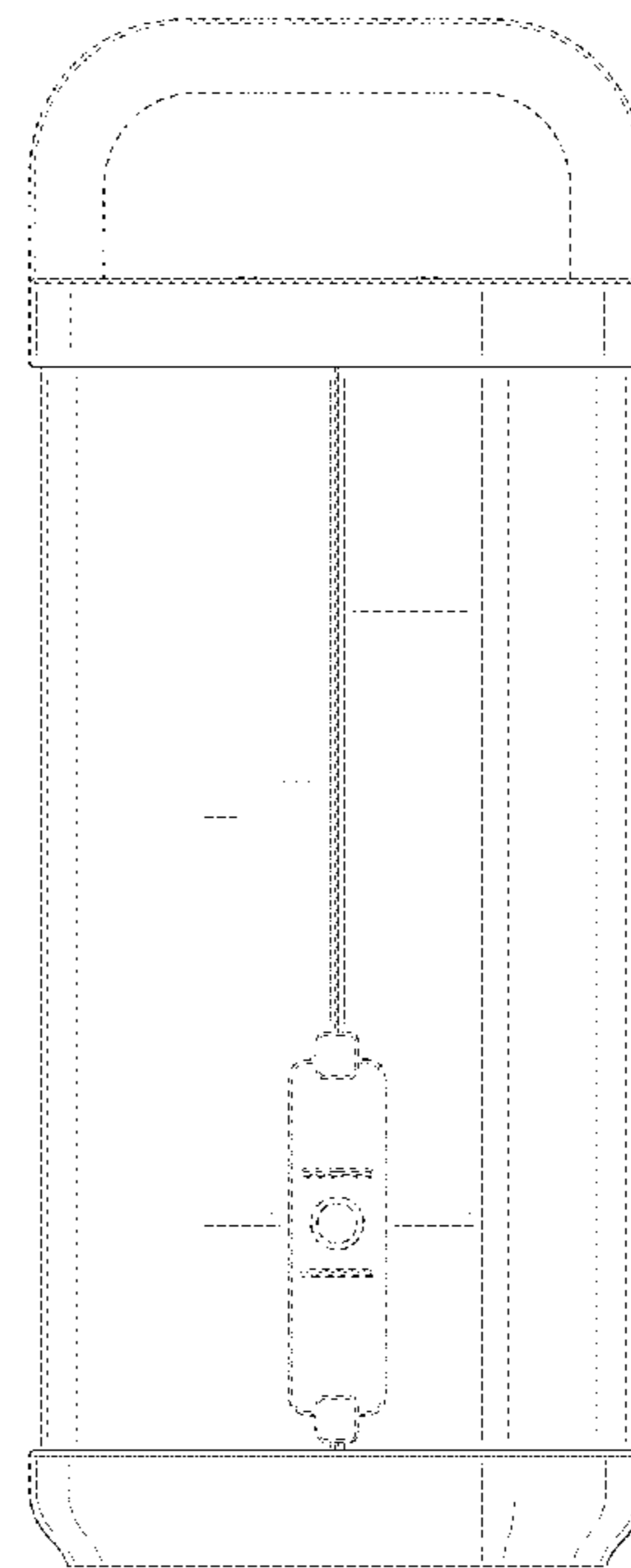
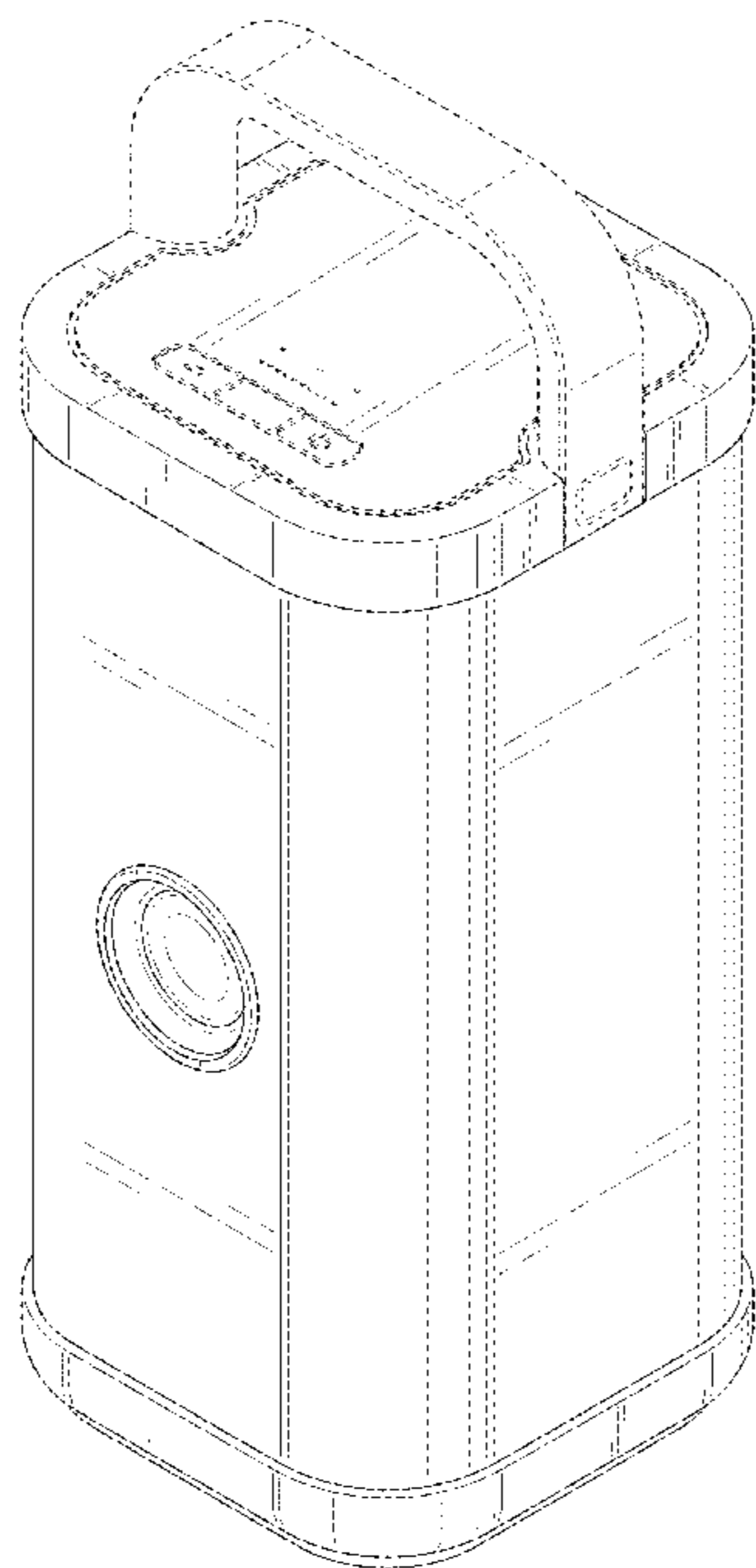
(57) **CLAIM**

The ornamental design of a speaker, substantially as shown
and described.

DESCRIPTION

FIG. 1 is a top perspective view of a speaker in accordance
with the present invention;
FIG. 2 is a front view thereof;
FIG. 3 is a rear view thereof;
FIG. 4 is a left side view thereof;
FIG. 5 is a right side view thereof;
FIG. 6 is a top view thereof; and,
FIG. 7 is a bottom view thereof.
The broken lines are included for the purpose of illustrating
the unclaimed portions of the article and form no part of the
claim.

1 Claim, 7 Drawing Sheets



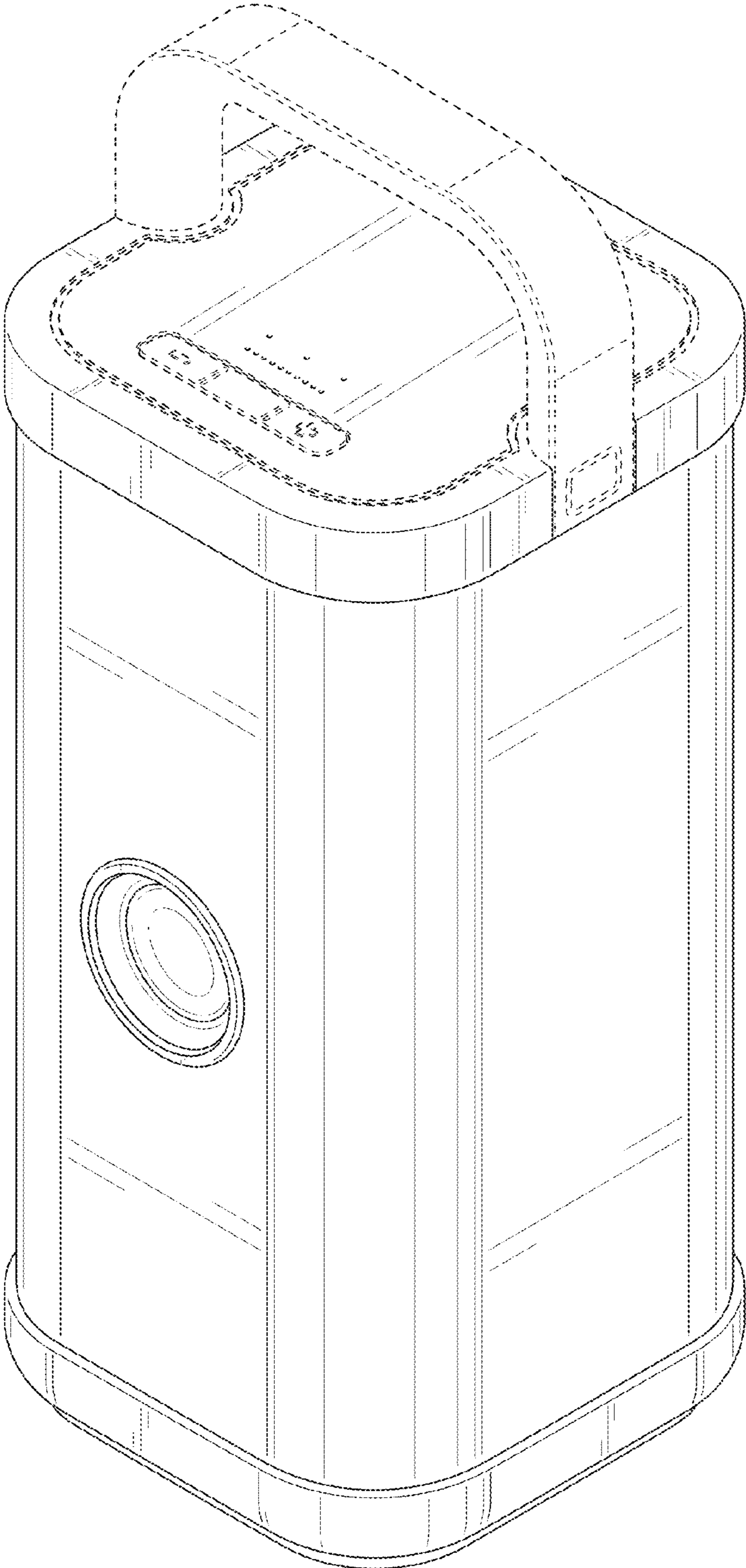


FIG. 1

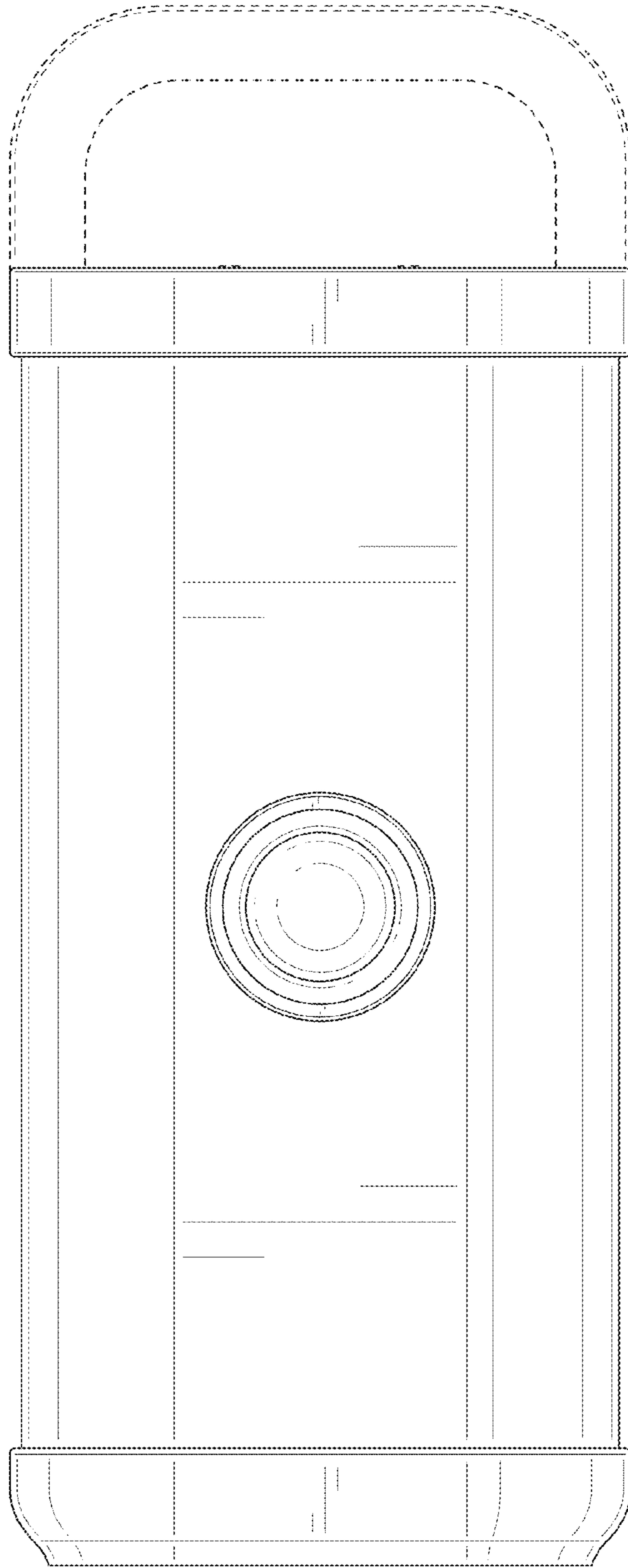


FIG. 2

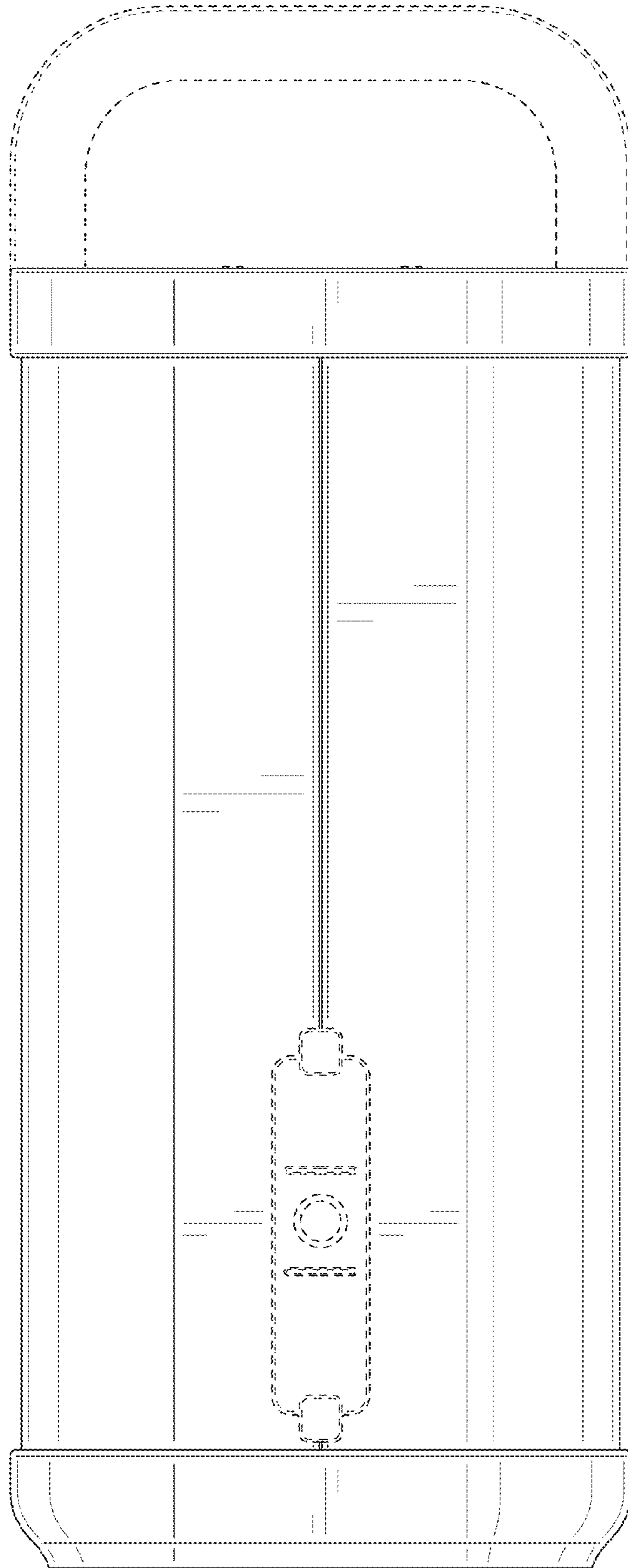


FIG. 3

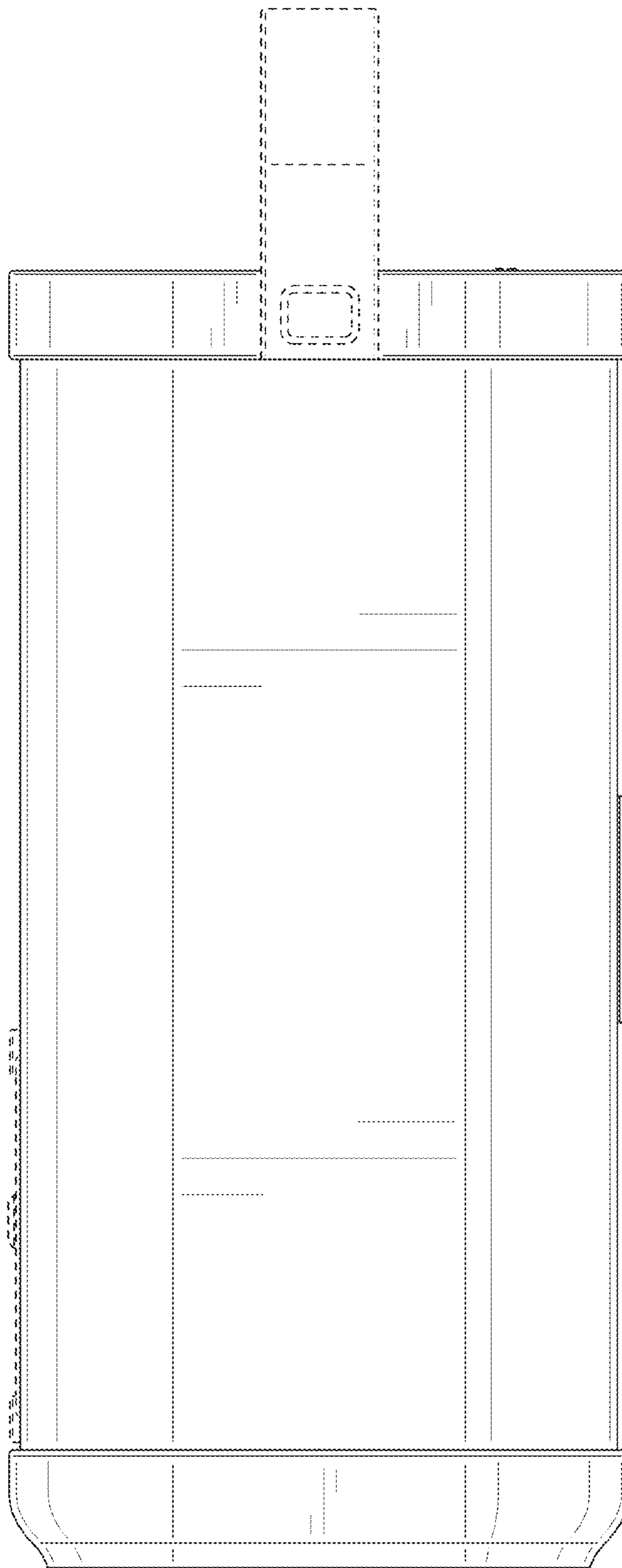


FIG. 4

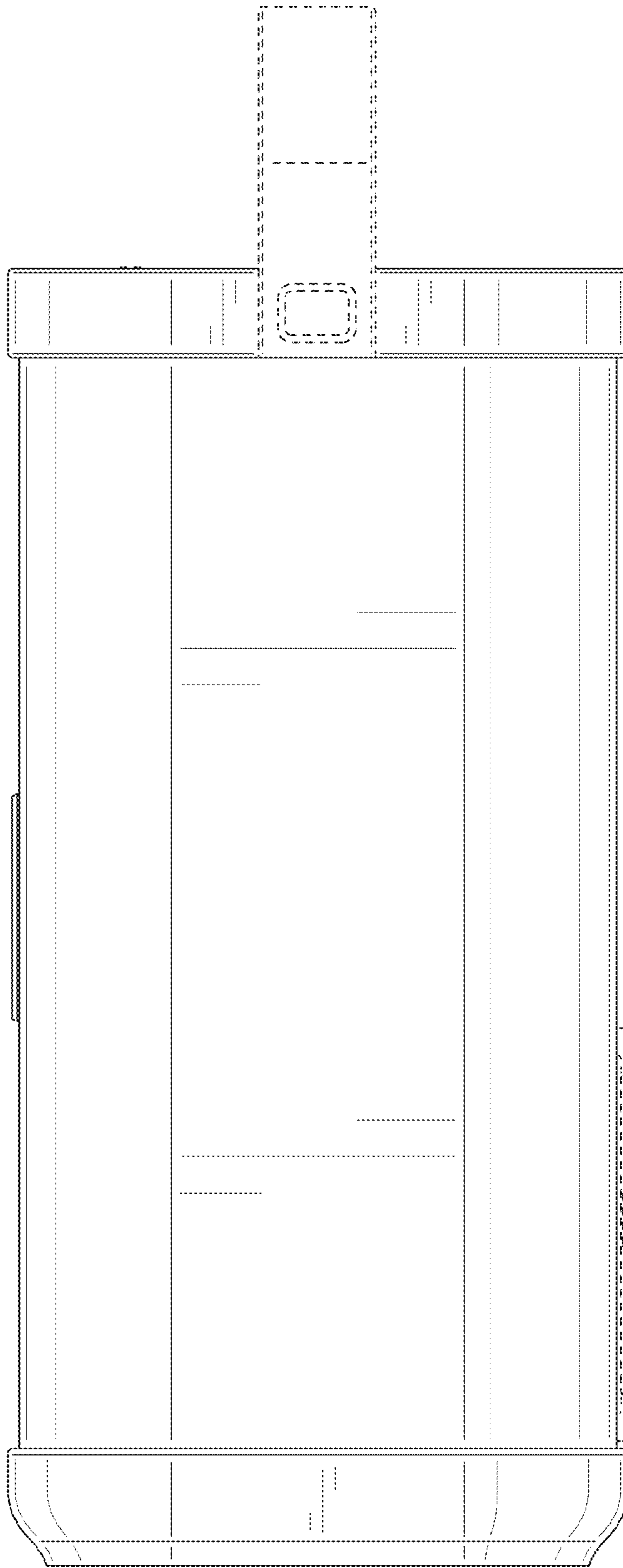


FIG. 5

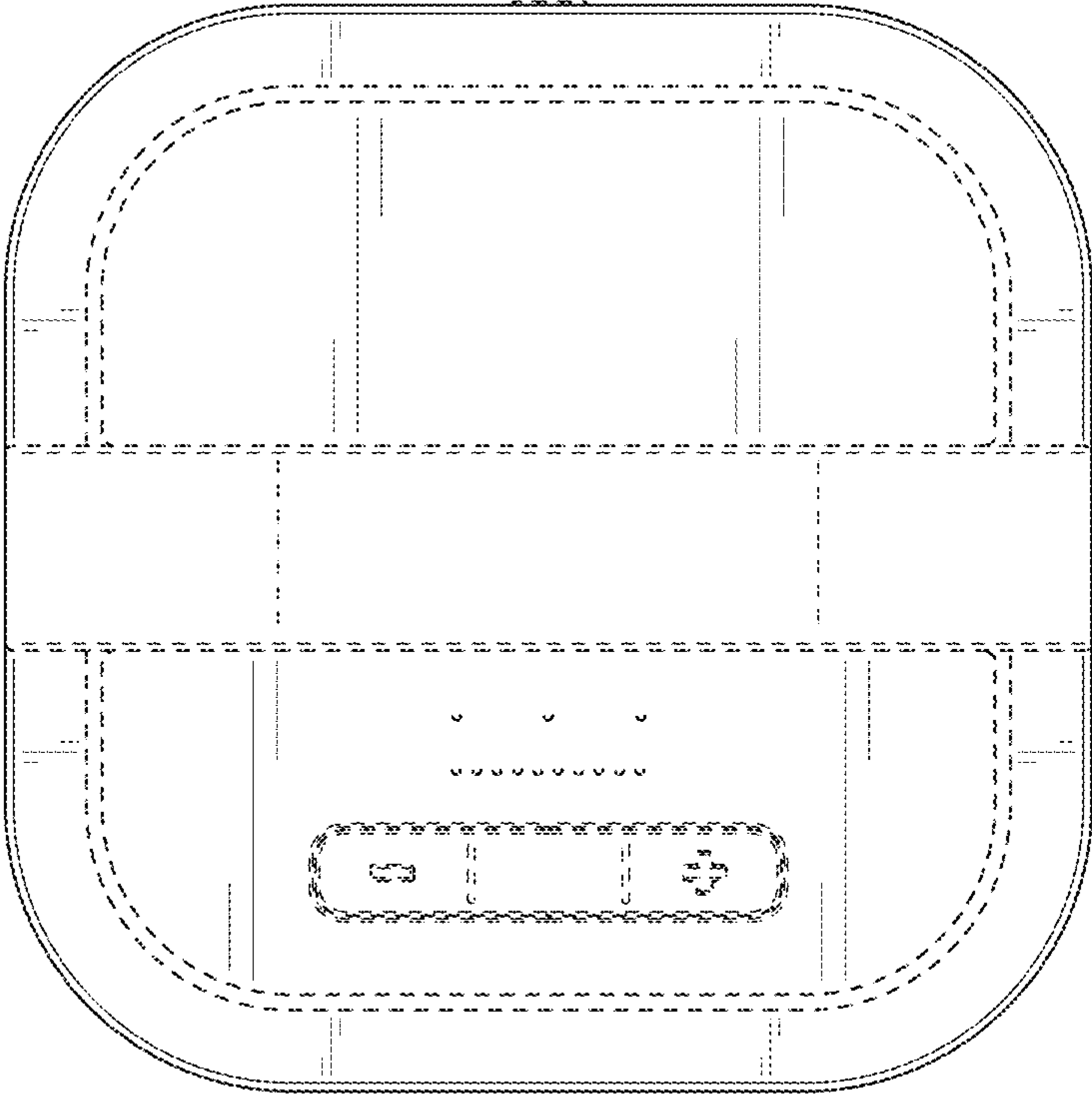


FIG. 6

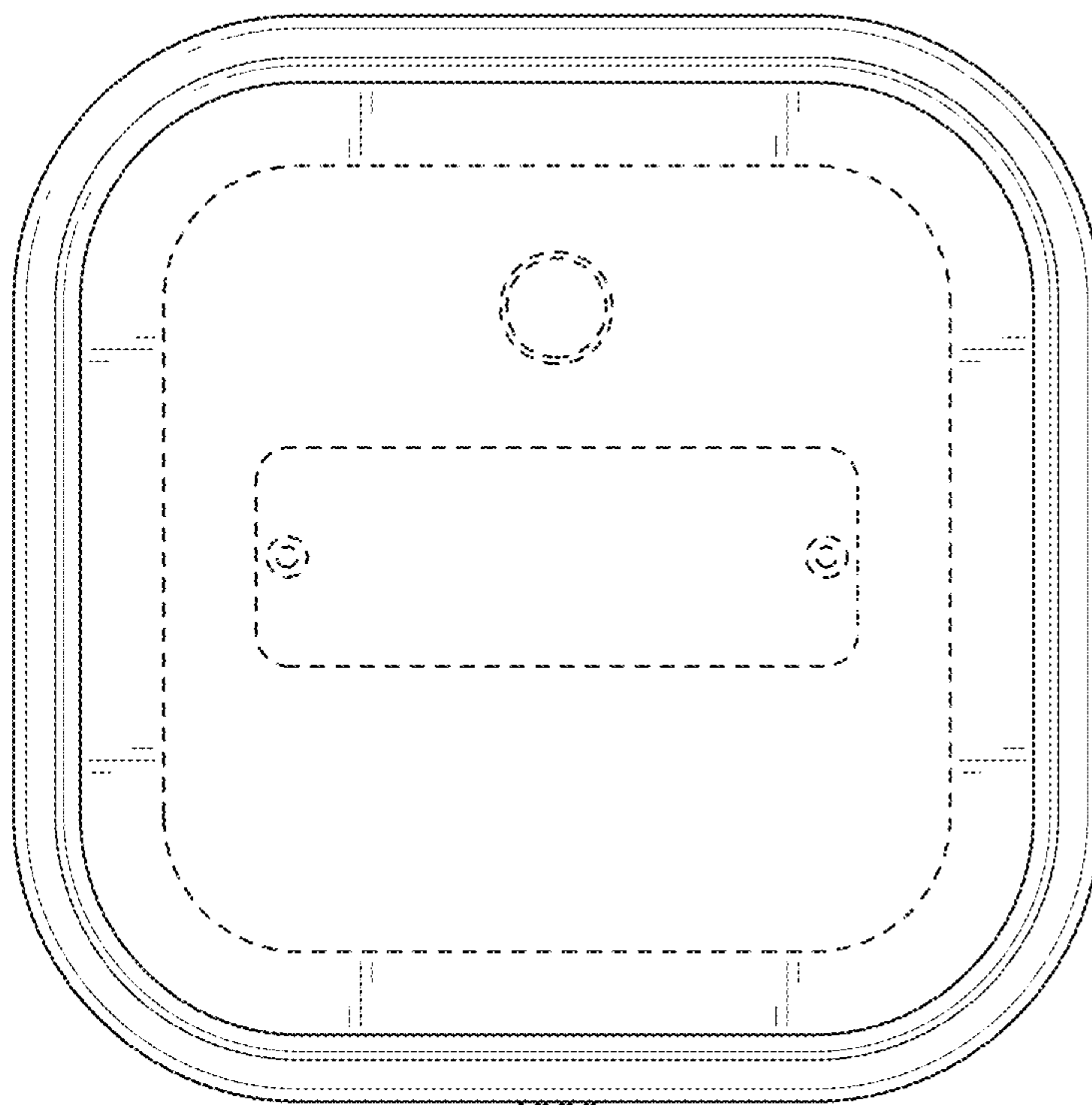


FIG. 7